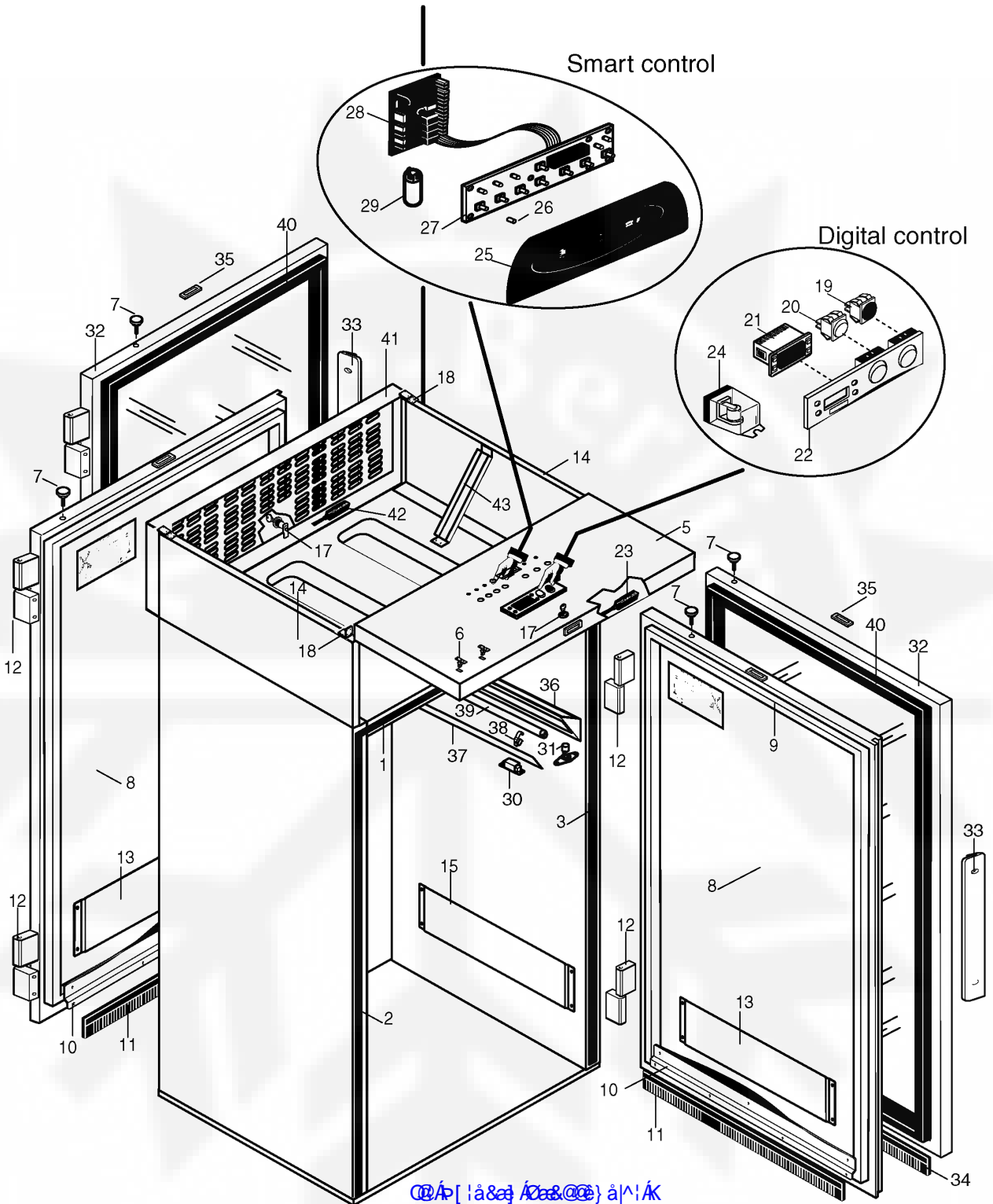


ROLL-THRU



©/ [i a & A & @ } a / i k

Selc' E' i j a
 CE A u - e a a i A F
 FGGE I A i j a
 Q } KEI J A E D H E A I A F A E C G
 Q a K E I J A E D H E A I A F A E C F
 ^ T a a i j O \ a e i c E a i j a E a
 Q c i) ^ d c o j H D , , E a e i c E a i j a E i {

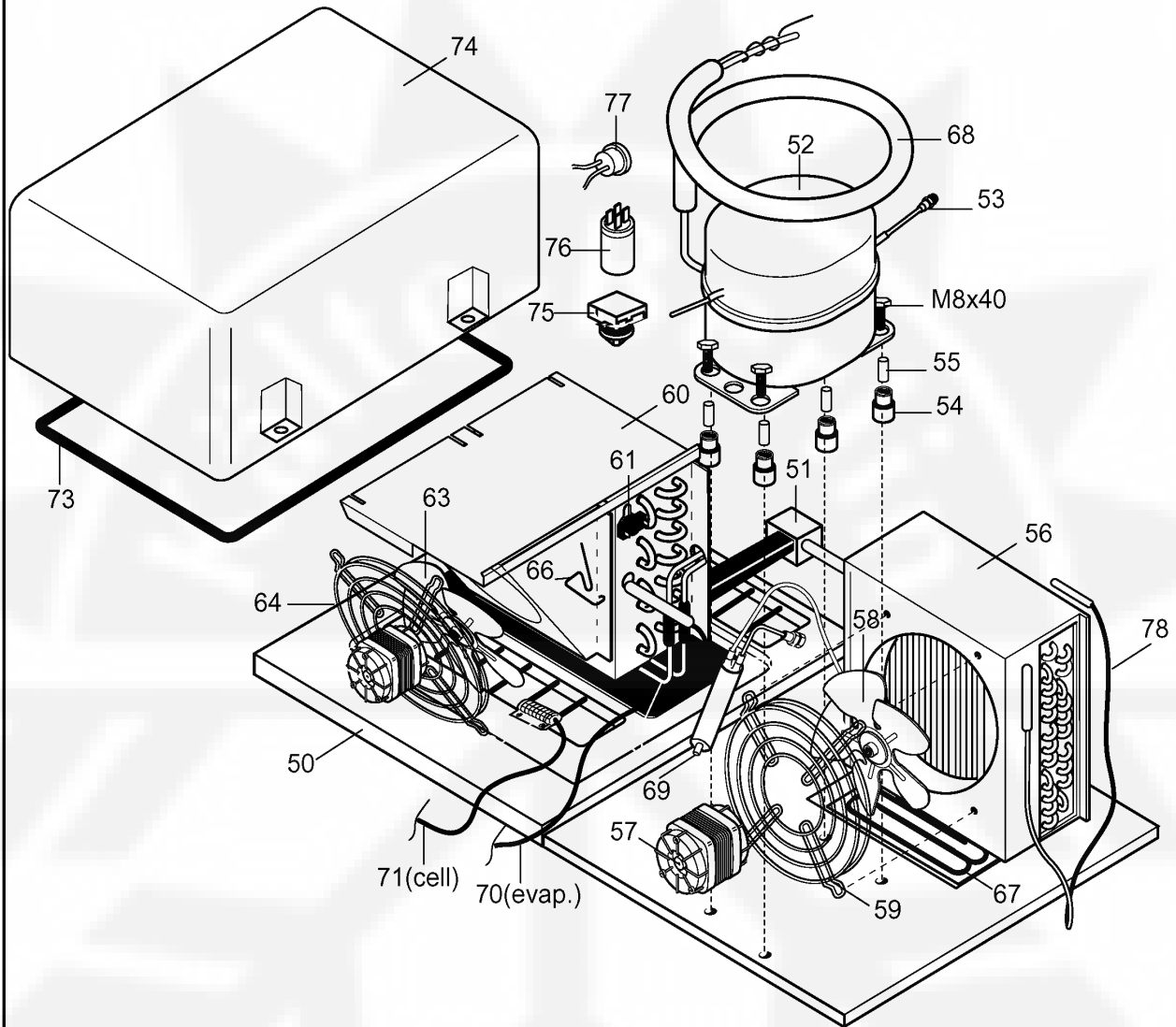
* Componenti disponibili a richiesta
 * Component available upon request

Modell: 726497 - RI16R2FT - ROLL-THRU REFRIGERATOR 2 DOORS 1600 L+2°

Liste der Ersatzteile Tafel: 502203 Seite 3 - Explosionszeichnung

| Pos. | Ersatzteil nummer | Alias Code | Ersetzt mit | Kit | S | Inf | Techn. Mitteilung | Beschreibung | Bemerkungen |
|------|-------------------|------------|-------------|-----|---|-----|-------------------|--|--|
| 0001 | 091439 | | | | | | | COUNTERPART; ORIZZ. | |
| 0002 | 091440 | | | | | | | COUNTERPART; VERT.SX ROLLIN 20GN 2/1 | |
| 0003 | 091441 | | | | | | | COUNTERPART; VERT.DX ROLLIN 20GN 2/1 | |
| 0005 | 091443 | | | | | | | ARMATUREMBRETT; COMPLETE; IN 20 GN 2/1 | delivery with component installed - Component available upon request a,f |
| 0005 | 091492 | | | | | | | ARMATUREMBRETT; ROLLIN 20 GN 2/1 | a,d,e,f |
| 0006 | 053342 | | | | S | | | FEDER | |
| 0007 | 087829 | | | | | | | MAGNET | |
| 0007 | 091446 | | | | | | | TUER KPL.; ROLL IN ELUX 20GN2/1 | delivery with component installed - Component available upon request a,b,c,e,f,g,h,i,l,m |
| 0008 | 091447 | | | | | | | TUER; FOAMED; ROLL IN 20GN 2/1 | |
| 0009 | 091043 | | | | | | | MAGNETDICHTUNGEN; FOR DOOR | |
| 0010 | 091448 | | | | | | | HALTER; FOR GASKET; ROLLIN 20GN 2/1 | |
| 0011 | 084891 | | | | S | | | DICHTUNG; BY METER | |
| 0012 | 0A9531 | | | | S | | | SCHARNIER | |
| 0013 | 091449 | | | | | | | DAEMPFER; ROLLIN 20GN2/1 | |
| 0014 | 091450 | | | | | | | ABDECKUNG; ROLLIN 20GN 2/1 | |
| 0015 | 091451 | | | | | | | SCHUTZ; ROLLIN 20GN 2/1 | |
| 0017 | 081694 | | | | S | | | TUERVERSCHLUSS | |
| 0018 | 099853 | | | | | | | SCHARNIER | |
| 0019 | 099274 | | 085987 | | | D | | SCHALTER ZWEIPOL; GRUEN | a,d,e,f |
| 0020 | 099275 | | | | S | | | LEUCHTUMSCHALTER; WHITE | a,f |
| 0021 | 091304 | | | | | | | THERMOREGLER; ID974 | parameter map in web site a,d,e,f |
| 0022 | 091453 | | | | | | | BLLENDE; ASSY; ROLL IN 20 2/1 | Component available upon request a,f |
| 0022 | 091494 | | | | | | | BEDIENFOLIE | a,d,e,f |
| 0023 | 083881 | | | | S | | | MAGNETSCHALTER | a,b,e,f |
| 0024 | 0A9596 | | | | S | | | RELAIS | |
| 0041 | 091478 | | | | | D | | ARMATUREMBRETT; REAR | e,f |
| 0042 | 083862 | | | | | | | MAGNETSCHALTER; 3 MT | e,f |
| 0043 | 091487 | | | | | | | QUERTRAEGER | |
| 0045 | 000000 | | | | | | | Nicht in Preisliste | |
| 0250 | 000000 | | | | | | | Nicht in Preisliste | |
| 0510 | 000000 | | | | | | | Nicht in Preisliste | |

REFRIGERANT UNIT



* Componenti disponibili a richiesta
 * Component available upon request

Modell: 726497 - RI16R2FT - ROLL-THRU REFRIGERATOR 2 DOORS 1600 L+2°

Liste der Ersatzteile Tafel: 502203 Seite 4 - Explosionszeichnung

| Pos. | Ersatzteil nummer | Alias Code | Ersetzt mit | Kit | S | Inf | Techn. Mitteilung | Beschreibung | Bemerkungen |
|------|-------------------|------------|-------------|-----|---|-----|-------------------|---|--|
| 0001 | 091439 | | | | | | | COUNTERPART; ORIZZ. | |
| 0003 | 091441 | | | | | | | COUNTERPART; VERT.DX ROLLIN 20GN 2/1 | |
| 0004 | 091442 | | | | | | | GITTER; ROLLIN 20GN2/1 | a,b,c,d,f,g,h,i |
| 0005 | 091443 | | | | | | | ARMATUREMBRETT; COMPLETE; IN 20 GN 2/1 | delivery with component installed - Component available upon request a,f |
| 0005 | 091492 | | | | | | | ARMATUREMBRETT; ROLLIN 20 GN 2/1 | a,d,e,f |
| 0006 | 053342 | | | | S | | | FEDER | |
| 0022 | 091453 | | | | | | | BLLENDE; ASSY; ROLL IN 20 2/1 | Component available upon request a,f |
| 0022 | 091494 | | | | | | | BEDIENFOLIE | a,d,e,f |
| 0050 | 099763 | | | | | | | HALTER | |
| 0051 | 091455 | | | | | | | ABLASSSCHLAUCH | |
| 0052 | 083728 | | | | S | C | | KOMPRESSOR; GP14TB-R134A 3/8HP | a,b,d,e,f |
| 0053 | 0A8171 | | | | S | | | WIEDERAUFLADEVENTIL | a,b,c,d,e,f,h,m |
| 0054 | 099872 | | | | | | | GUMMITEIL; FOR COMPRESSOR CD.2221004 | a,b,c,d,e,f,h,m |
| 0055 | 099868 | | | | | | | BUCHSE; FOR COMPRESSOR 222204 | a,b,c,d,e,f,h,m |
| 0056 | 0A9669 | | | | | | | KONDENSATOR | a,b,c,d,e,f,h,m |
| 0057 | 0A8419 | | | | S | | | MOTOR | a,b,d,e,f |
| 0058 | 089697 | | | | | | | LUEFTERRAD | a,b,c,d,e,f,h,m |
| 0059 | 083157 | | | | | | | GITTER | a,b,d,e,f |
| 0060 | 0A9672 | | | | S | | | VERDAMPFER | |
| 0061 | 087856 | | | | | | | THERMOSTAT; +40 C | a,b,d,e,f,g |
| 0063 | 089697 | | | | | | | LUEFTERRAD | |
| 0064 | 089755 | | | | | | | LUEFTERGITTER | |
| 0066 | 081707 | | | | | | | FEDER | |
| 0067 | 091209 | | | | | | | ROHR LEITUNG | |
| 0068 | 091459 | | | | | | | WAERMEAUSTAUSCHER; ROLLIN 20GN 2/1 | a,b,c,d,e,f,h,m |
| 0069 | 084078 | | | | S | | | TROCKNPATRONEN | a,b,d,e,f |
| 0070 | 099570 | | 092182 | | | C | | FUEHLER; AISI 304 NTC IP68 L.2000 W SPL | a,d,e,f |
| 0071 | 087654 | | 092174 | | | | | FUEHLER | a,d,e,f |
| 0073 | 0KX010 | | | | | | | DICHTUNG | |
| 0074 | 099227 | | | | | | | ABDECKUNG | |
| 0075 | 081873 | | | | | | | RELAIS | a,b,d,e,f |
| 0076 | 083166 | | | Kit | S | | | START KONDENSATOR | a,b,d,e,f |
| 0077 | 083165 | | | | | | | SCHUETZER | a,b,d,e,f |