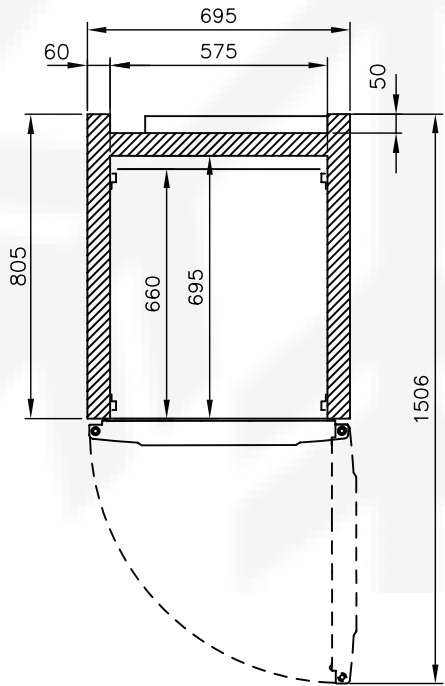
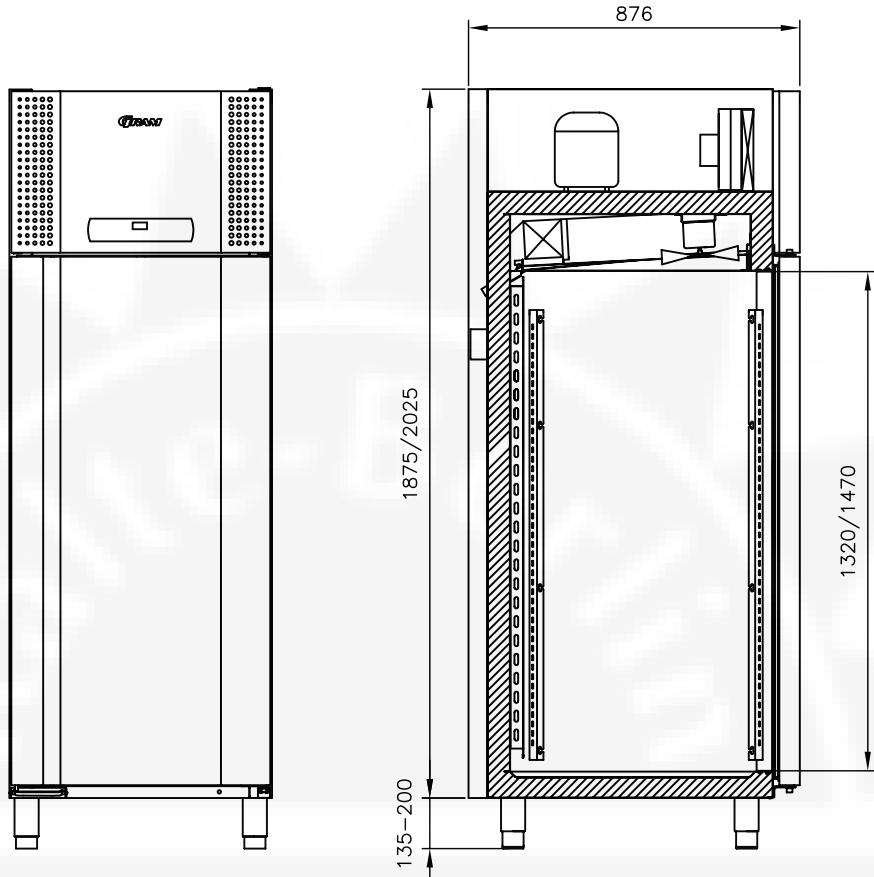



Ö:Áÿ \ Á { Ö:æ ÁÚŠWÚSÁ €€ÄÜÖÁ PÄÄM | -€S>@ &@æ \ Á^ásê|c'ÉÖ\|ä



Ö:Áÿ \ Á { Ö:æ ÁÚŠWÚSÁ €€ÄÜÖÁ PÄÄM | -€S>@ &@æ \ Á^ásê|c'ÉÖ\|ä
 Sê|c'ÉÖ\|ä
 Ö: ÁÚŠWÚSÁ Á F
 FGGEJÄÖ\|ä
 Ö: KÊI JÄGDHÄÄ | ÁÉÁ €GG
 Ö: KÊI JÄGDHÄÄ | ÁÉÁ €GF
 ^T æææ | Ö\æ |c'ÉÖ\|ä ÉÄ
 Ö: } ^ÄÖ | KÖ , , É æ |c'ÉÖ\|ä ÉÄ {

Revision:

Description: Dimensions GRAM PLUS 600/660	General tolerances: ISO 2768-1 (m) ISO 2768-2 (L)		
---	---	--	--

 © Gram Commercial A/S DENMARK	Date: 06/02/02	Drawing no.: 765040879	Sheet no.:	Rev.	A format
	Name: JP		1 of 1	00	4
	Scale 1/20				

All rights to this drawing belongs to Gram Commercial A/S, cf. law of Copyright. Thus the drawing should not without our written permission be copied, presented or passed over to a third person. Misuse will lead to prosecution.