

Hoshizaki

Hoshizaki America, Inc.

ŌŌP|•@æāŌ&ŌŌ} ā\|ÁK

SēlcĒŌ\|ā
ŌŌ AU-ā\|āā\|Á F
FGŌŌJĀŌ\|ā
Ō\|) KŌŌ JĀHĒĀ\| ĀŌĀ ĒĀŌŌ
ŌāŌKŌŌ JĀHĒĀ\| ĀŌĀ ĒĀŌŌ
T āāŌŌŌ Ō\|ā\|āēlcĒŌ\|ā Ēā^
ŌŌŌ\| ^dĀ , , ĒāēlcĒŌ\|ā Ēā\| {

Stackable Crescent Cuber

Model
KM-130ISAH-E



“A Superior Degree
of Reliability”

www.hoshizaki.com

PARTS LIST



CONTENTS

| | |
|----------------------------------|----|
| Auxiliary Codes..... | 3 |
| Note About Ordering Parts | 3 |
| Material Abbreviations..... | 4 |
| A. Ice Cuber Assembly | 5 |
| B. Refrigeration Circuit | 8 |
| C. Water Circuit | 12 |
| D. Control Box Assembly..... | 15 |
| E. Transformer Box Assembly..... | 17 |
| F. Label Location | 18 |
| G. Evaporator Assembly..... | 20 |
| H. Pump Motor Assembly..... | 21 |
| J. Accessories & Packaging | 22 |

Auxiliary Codes

KM-1301SAH-E T-0 December 2008
U-0 February 2009

Auxiliary Code Breakdown

The auxiliary code is the first two characters in the serial number. The first character indicates the year. Years progress or regress in alphabetical order. The series runs from "A" through "V" and the letters "I" and "O" are skipped. The second character indicates significant part changes within a year. Base is "0" and this number advances for each change.

Note About Ordering Parts

Most assemblies cannot be ordered as complete units; parts in the assemblies generally must be ordered separately.

IMPORTANT

IEC standards require that the clamping means of earthing terminals be adequately secured against accidental loosening and that accessible metal parts of the icemaker which may become live in the event of an insulation fault be permanently and reliably connected to an earthing terminal within the icemaker or to the earthing contact of the icemaker inlet. This is accomplished in this icemaker through the use of stainless steel lock washers.

Material Abbreviations

ALUMINUM

AL = Aluminum

COPPER

CU = Copper

PLASTIC

ABS = Acrylonitrile -butadiene -styrene
AC = Polyacetal
EVA = Ethylene vinyl acetate
PA = Polyamide = Nylon
PC = Polycarbonate
PE = Polyethylene
PES = Polyester
PETP = Polyethylene terephthalate = Tetlon
PP = Polypropylene
PS = Polystyrene
PTFE = Polytetrafluoroethylene = Teflon
PUR = Polyurethane
PVC = Polyvinyl chloride

RUBBER

VN = Vinyl Nitrile
EPDM = EP rubber
NBR = Nitrile butadiene rubber
NR = Natural rubber
NP = Neoprene
SI.R = Silicone rubber
SY.R = Synthetic rubber
EPH = Epichlorohydrin

STEEL

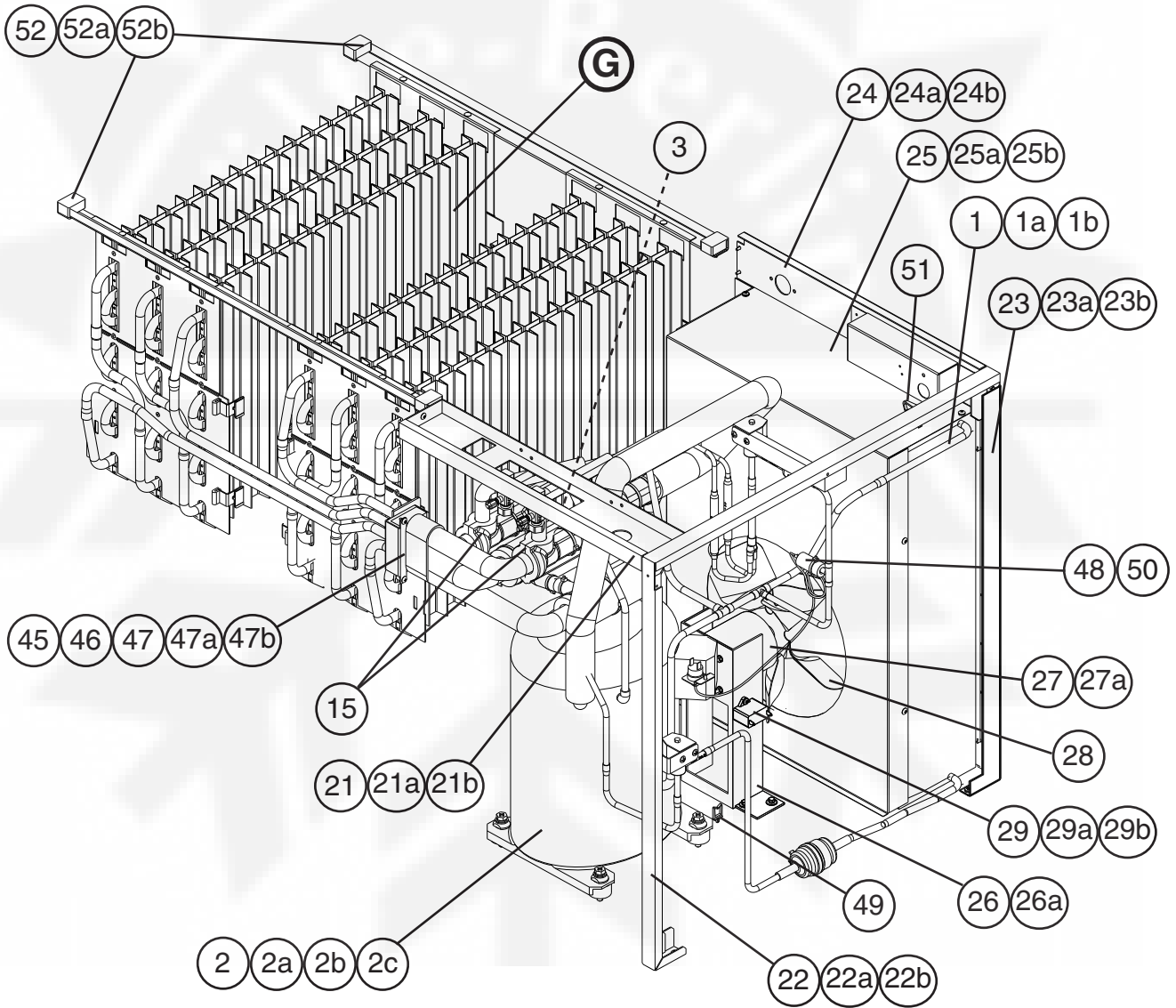
GS = Galvanized steel
SS = Stainless steel
PS = Plated steel
PAS = Primed steel

Title: **A. Ice Cuber Assembly** Model: **KM-1301SAH-E**

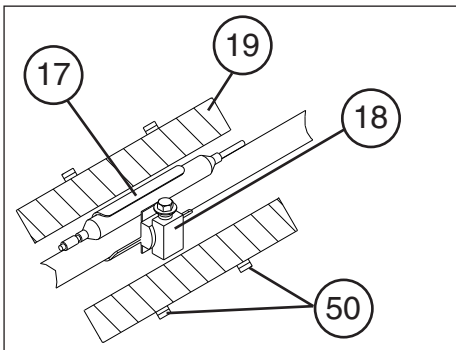
| Index No. | Description | Material or Model Number | Part Number | Required Number | | | | | | | | | | | | | | | | |
|-----------|-----------------------------|--------------------------|-------------|-----------------|-----|--|--|--|--|--|--|--|--|--|--|--|--|--|--|--|
| | | | | T-0 | U-0 | | | | | | | | | | | | | | | |
| B | Refrigeration Circuit | - | 1A1655A01 | 1 | | | | | | | | | | | | | | | | |
| C | Water Circuit | - | 1A1674A01 | 1 | | | | | | | | | | | | | | | | |
| D | Control Box Assembly | - | 2A4863A01 | 1 | | | | | | | | | | | | | | | | |
| D1 | T2 Screw | 4x8 | 7P31-0408 | 3 | | | | | | | | | | | | | | | | |
| D2 | Split Lock Washer | M4, SS | 7L22-0400 | 3 | | | | | | | | | | | | | | | | |
| E | Transformer Box Assembly | - | 334324A01 | 1 | | | | | | | | | | | | | | | | |
| E1 | Hex Head Bolt w/Washer (LF) | 5x12, SS | 7B0230512 | 4 | | | | | | | | | | | | | | | | |
| F | Label Location | - | 2A4754A01 | 1 | | | | | | | | | | | | | | | | |
| 1 | Evaporator Case | - | 1A0603G06 | 1 | | | | | | | | | | | | | | | | |
| 2 | Control Box Cover | - | 3A2386-01 | 1 | | | | | | | | | | | | | | | | |
| 2a | T2 Screw | 4x8 | 7P31-0408 | 2 | | | | | | | | | | | | | | | | |
| 2b | Split Lock Washer | M4, SS | 7L22-0400 | 2 | | | | | | | | | | | | | | | | |
| 3 | Square Washer | Brass | 433537-02 | 1 | | | | | | | | | | | | | | | | |
| 4 | Screw-Grounding | - | 433304-02 | 1 | | | | | | | | | | | | | | | | |
| 5 | Bushing | SR-34-2 | 420472-05 | 1 | | | | | | | | | | | | | | | | |
| 6 | Junction Box Cover | - | 4A1767-01 | 1 | | | | | | | | | | | | | | | | |
| 6a | T2 Screw | 4x8 | 7P31-0408 | 1 | | | | | | | | | | | | | | | | |
| 6b | Split Lock Washer | M4, SS | 7L22-0400 | 1 | | | | | | | | | | | | | | | | |
| 7 | Bulb Holder | - | 3A3903-01 | 1 | | | | | | | | | | | | | | | | |
| 7a | Truss Head Screw | 4x10, SS | 7C32-0410 | 2 | | | | | | | | | | | | | | | | |
| 8 | Spacer | ABS | 439727-01 | 1 | | | | | | | | | | | | | | | | |
| 9 | Bulb Holder (C) | | 216340G01 | 1 | | | | | | | | | | | | | | | | |
| 9a | Truss Head Screw | 4x12, SS | 7C32-0412 | 2 | | | | | | | | | | | | | | | | |
| 10 | Capillary Ring | - | 425307-01 | 1 | | | | | | | | | | | | | | | | |
| 11 | Bulb Holder (D) | - | 328742-01 | 1 | | | | | | | | | | | | | | | | |
| 11a | Thumbscrew | Black | 415949G12 | 2 | | | | | | | | | | | | | | | | |
| 12 | Front Panel Bracket | | 323903-01 | 1 | | | | | | | | | | | | | | | | |
| 12a | T2 Screw | 4x12, SS | 7P32-0412 | 2 | | | | | | | | | | | | | | | | |
| 12b | Split Lock Washer | M4, SS | 7L22-0400 | 2 | | | | | | | | | | | | | | | | |
| 13 | Spacer | ABS | 324321-01 | 1 | | | | | | | | | | | | | | | | |
| 14 | Top Insulation | - | 324216G01 | 1 | | | | | | | | | | | | | | | | |
| 15 | Front Insulation | - | 324215G01 | 1 | | | | | | | | | | | | | | | | |
| 15a | Thumbscrew | Black | 415949G12 | 1 | | | | | | | | | | | | | | | | |
| 16 | Gasket | L=1219 | 4A0808L02 | 1 | | | | | | | | | | | | | | | | |
| 17 | Side Panel (R) | - | 2A2226G01 | 1 | | | | | | | | | | | | | | | | |
| 17a | Truss Head Screw | 4x8, SS | 7C32-0408 | 1 | | | | | | | | | | | | | | | | |
| 17b | Split Lock Washer | M4, SS | 7L22-0400 | 1 | | | | | | | | | | | | | | | | |
| 18 | Top Panel | - | 2A2255-01 | 1 | | | | | | | | | | | | | | | | |
| 18a | Truss Head Screw | 4x8, SS | 7C32-0408 | 2 | | | | | | | | | | | | | | | | |
| 18b | Split Lock Washer | M4, SS | 7L22-0400 | 2 | | | | | | | | | | | | | | | | |
| 19 | Front Panel | - | 2A2224-02 | 1 | | | | | | | | | | | | | | | | |
| 19a | Truss Head Screw | 4x16, SS | 7C32-0416 | 2 | | | | | | | | | | | | | | | | |
| 19b | Split Lock Washer | M4, SS | 7L22-0400 | 2 | | | | | | | | | | | | | | | | |
| 20 | Louver | - | 1A0548-01 | 4 | | | | | | | | | | | | | | | | |
| 21 | Push Retainer | - | 4A2414-01 | 12 | | | | | | | | | | | | | | | | |
| 22 | Air Filter | - | 2A2063G01 | 4 | | | | | | | | | | | | | | | | |
| 23 | Silicone Hose | L=285 | 773013812 | 1 | | | | | | | | | | | | | | | | |

| Title: A. Ice Cuber Assembly Model: KM-1301SAH-E | | | | | | | | | | | | |
|--|------------------------------|--------------------------|-------------|-----------------|-----|--|--|--|--|--|--|--|
| Index No. | Description | Material or Model Number | Part Number | Required Number | | | | | | | | |
| | | | | T-0 | U-0 | | | | | | | |
| 24 | Thermostat Extension Bracket | SS | 3A0408-01 | 1 | | | | | | | | |
| 24a | T2 Screw | 4x12, SS | 7P32-0412 | 2 | | | | | | | | |
| 25 | Terminal Block | - | 4A1026-01 | 1 | | | | | | | | |
| 25a | Pan Head Screw (S) | 3x16, SS | 7C12-0316 | 2 | | | | | | | | |
| 26 | Clamp | - | 4A0337-12 | 1 | | | | | | | | |

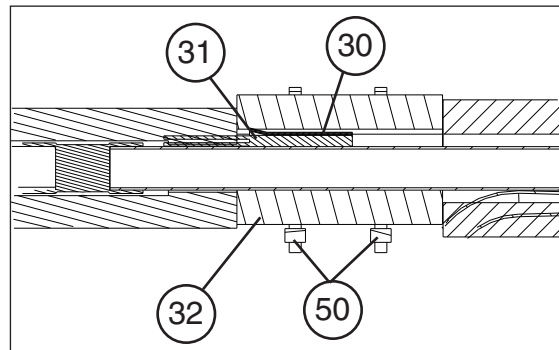
B. Refrigeration Circuit
1/2
KM-1301SAH-E
 T-0, U-0



Detailed TXV Bulb Attachment



Detailed Thermistor Attachment

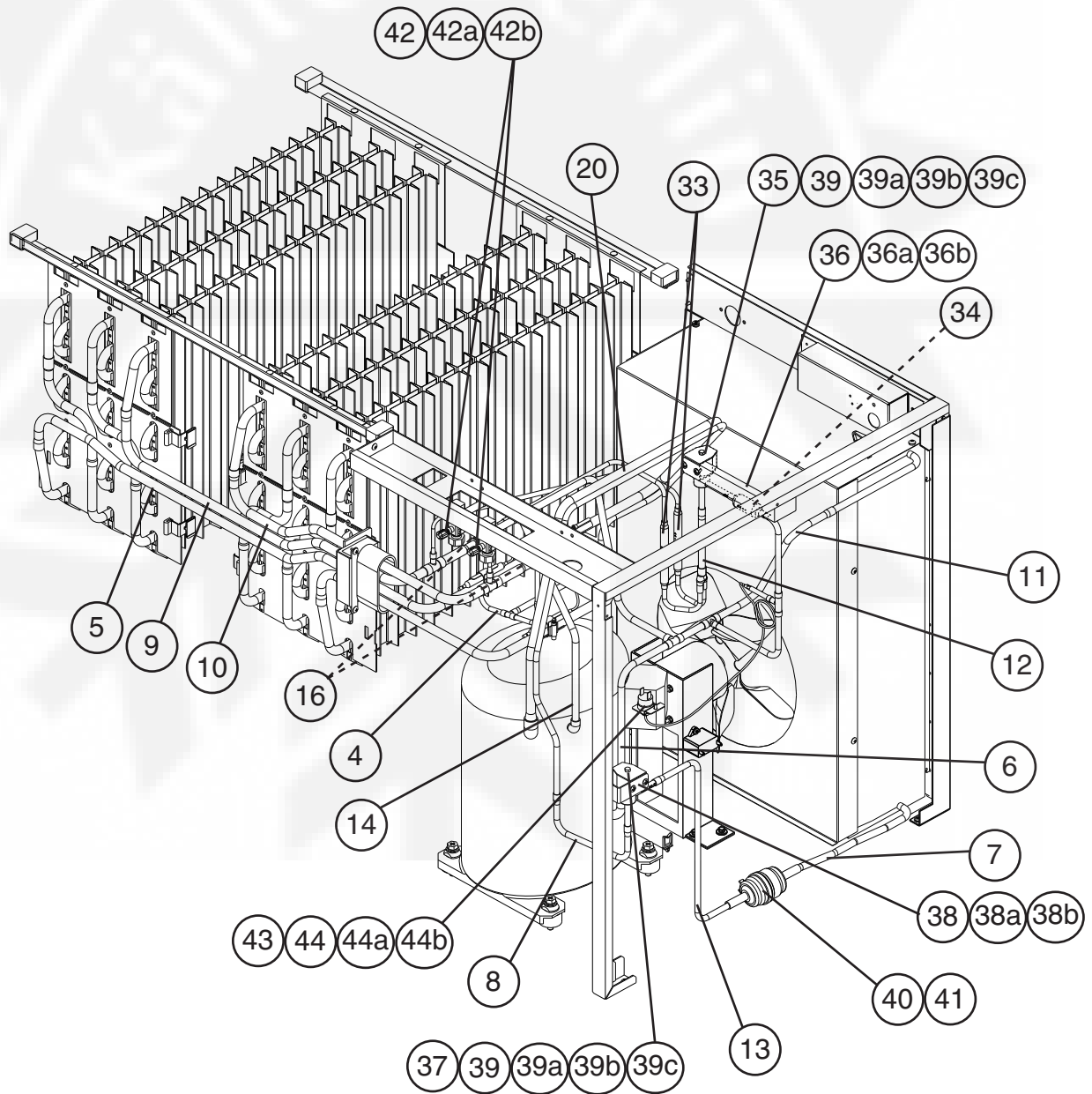


B. Refrigeration Circuit

2/2

KM-1301SAH-E

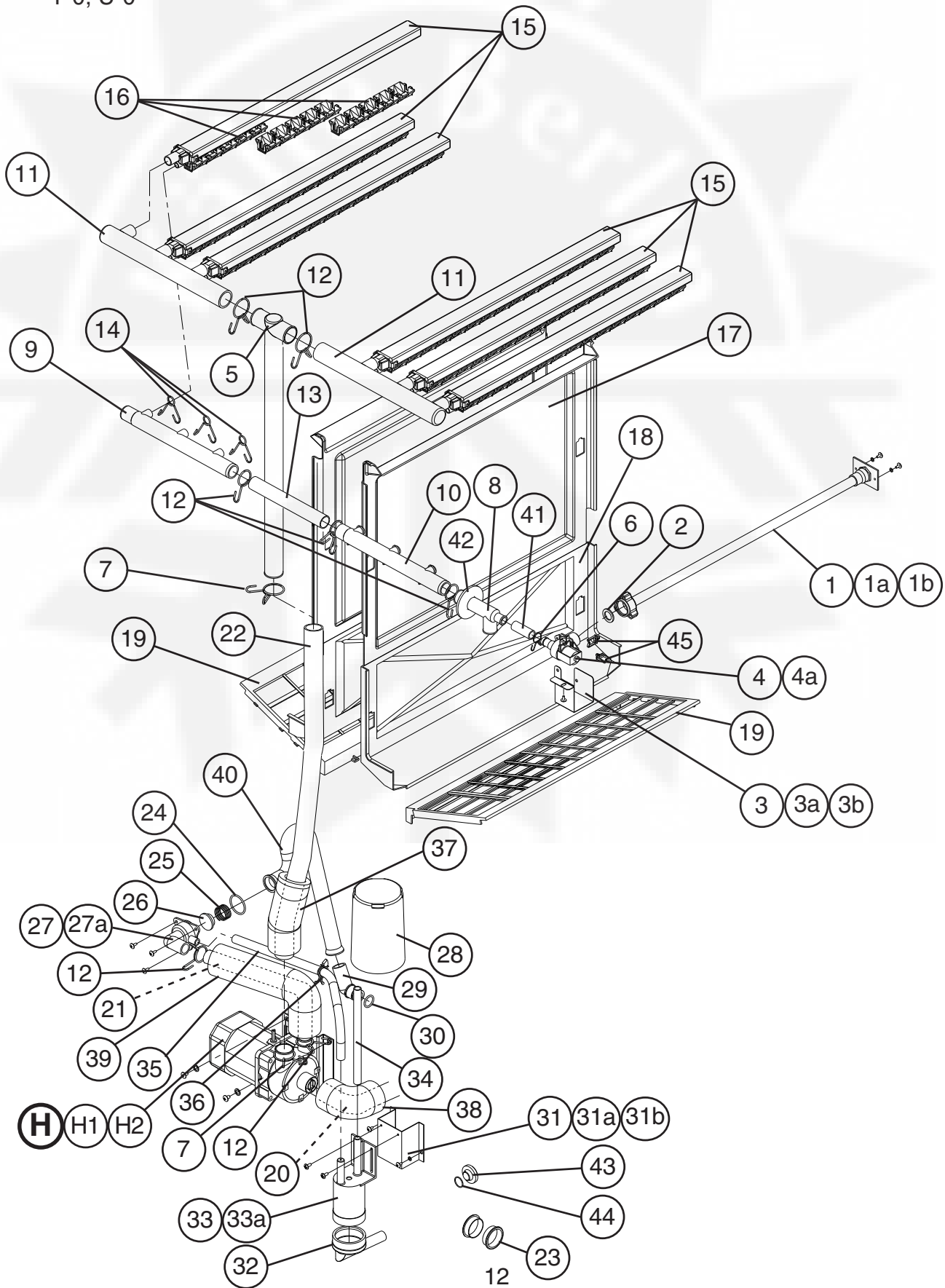
T-0, U-0



| Title: B. Refrigeration Circuit Model: KM-1301SAH-E | | | | | | | | | | | | | |
|---|---------------------------------|--------------------------|-------------|-----------------|-----|--|--|--|--|--|--|--|--|
| Index No. | Description | Material or Model Number | Part Number | Required Number | | | | | | | | | |
| | | | | T-0 | U-0 | | | | | | | | |
| G | Evaporator Assembly | - | 104696G03 | 1 | | | | | | | | | |
| 1 | Condenser | - | 213621-01 | 1 | | | | | | | | | |
| 1a | T2 Screw | 4x8 | 7P31-0408 | 2 | | | | | | | | | |
| 1b | Split Lock Washer | M4, SS | 7L22-0400 | 2 | | | | | | | | | |
| 2 | Compressor | CS14K6E-PFJ-237 | 4A1749-01 | 1 | | | | | | | | | |
| 2a | Spacer | - | 434921-01 | 4 | | | | | | | | | |
| 2b | Grommet | - | 434922-01 | 4 | | | | | | | | | |
| 2c | Hex Head Bolt w/Washer | 8x45 | 437889-01 | 4 | | | | | | | | | |
| 3 | Connection Tee Cover | - | 4A1379-01 | 1 | | | | | | | | | |
| 4 | Copper Tube (A)-Expansion Valve | - | 3A5061G01 | 1 | | | | | | | | | |
| 5 | Copper Tube (A)-Low Side | - | 3A5052G01 | 1 | | | | | | | | | |
| 6 | Copper Tube (B)-High Side | - | 2A4826G01 | 1 | | | | | | | | | |
| 7 | Copper Tube (D)-High Side | - | 4A0921-01 | 1 | | | | | | | | | |
| 8 | Copper Tube (F)-High Side | - | 4A4623-01 | 1 | | | | | | | | | |
| 9 | Copper Tube (L)-Hot Gas | - | 2A4814G02 | 1 | | | | | | | | | |
| 10 | Copper Tube (R)-Hot Gas | - | 2A4815G02 | 1 | | | | | | | | | |
| 11 | Copper Tube (Z)-High Side | - | 4A4635-01 | 1 | | | | | | | | | |
| 12 | Copper Tube-Hot Gas | - | 3A0212G01 | 1 | | | | | | | | | |
| 13 | Copper Tube-Line Valve | - | 3A2312-01 | 1 | | | | | | | | | |
| 14 | Copper Tube-Service Valve | - | 4A4624-01 | 1 | | | | | | | | | |
| 15 | Expansion Valve Cover | - | 3A0944-01 | 2 | | | | | | | | | |
| 16 | Expansion Valve | - | 4A1482-01 | 2 | | | | | | | | | |
| 17 | Holder-Expansion Valve | - | 3A0107-01 | 2 | | | | | | | | | |
| 18 | Clamp | - | 443461-02 | 2 | | | | | | | | | |
| 19 | Insulation Tubing | L=150 | 7762-3555 | 2 | | | | | | | | | |
| 20 | Heat Exchanger | - | 2A4816G01 | 1 | | | | | | | | | |
| 21 | Front Frame | - | 3A4635-01 | 1 | | | | | | | | | |
| 21a | T2 Screw | 4x8 | 7P31-0408 | 4 | | | | | | | | | |
| 21b | Split Lock Washer | M4, SS | 7L22-0400 | 4 | | | | | | | | | |
| 22 | Side Frame (A) | - | 219472G01 | 1 | | | | | | | | | |
| 22a | T2 Screw | 4x8 | 7P31-0408 | 3 | | | | | | | | | |
| 22b | Split Lock Washer | M4, SS | 7L22-0400 | 3 | | | | | | | | | |
| 23 | Side Frame(B) | - | 3A3027-01 | 1 | | | | | | | | | |
| 23a | T2 Screw | 4x8 | 7P31-0408 | 4 | | | | | | | | | |
| 23b | Split Lock Washer | M4, SS | 7L22-0400 | 4 | | | | | | | | | |
| 24 | Rear Frame | - | 4A0883G01 | 1 | | | | | | | | | |
| 24a | T2 Screw | 4x8 | 7P31-0408 | 4 | | | | | | | | | |
| 24b | Split Lock Washer | M4, SS | 7L22-0400 | 4 | | | | | | | | | |
| 25 | Shroud | - | 2A4861-01 | 1 | | | | | | | | | |
| 25a | T2 Screw | 4x8 | 7P31-0408 | 6 | | | | | | | | | |
| 25b | Split Lock Washer | M4, SS | 7L22-0400 | 6 | | | | | | | | | |
| 26 | Fan Motor Bracket | - | 327180-01 | 1 | | | | | | | | | |
| 26a | Hex Head Bolt w/Washer (LF) | 5x12, SS | 7B0230512 | 4 | | | | | | | | | |
| 27 | Fan Motor | 50 Watt-GEHI | 4A3158-01 | 1 | | | | | | | | | |
| 27a | Self-Locking Nut | 8-32 | 7N2110832 | 4 | | | | | | | | | |
| 28 | Fan Blade | - | 4A3959-01 | 1 | | | | | | | | | |

| Title: B. Refrigeration Circuit Model: KM-1301SAH-E | | | | | | | | | | | | |
|---|-------------------------|--------------------------|-------------|-----------------|-----|--|--|--|--|--|--|--|
| Index No. | Description | Material or Model Number | Part Number | Required Number | | | | | | | | |
| | | | | T-0 | U-0 | | | | | | | |
| 29 | Capacitor | 5.0MFD, 250VAC | 443192-02 | 1 | | | | | | | | |
| 29a | T2 Screw | 4x10 | 7P31-0410 | 1 | | | | | | | | |
| 29b | Split Lock Washer | M4, SS | 7L22-0400 | 1 | | | | | | | | |
| 30 | Holder-Thermistor | - | 427430-01 | 1 | | | | | | | | |
| 31 | Thermistor | L=1050 | 429006-03 | 1 | | | | | | | | |
| 32 | Insulation-Thermistor | - | 427441-01 | 1 | | | | | | | | |
| 33 | Check Valve | - | 4A1373-01 | 2 | | | | | | | | |
| 34 | Strainer | - | 441569-02 | 1 | | | | | | | | |
| 35 | Valve Body-Hot Gas | - | 4A3978-01 | 1 | | | | | | | | |
| 36 | Hot Gas Valve Bracket | - | 442162-01 | 1 | | | | | | | | |
| 36a | T2 Screw | 4x8 | 7P31-0408 | 2 | | | | | | | | |
| 36b | Split Lock Washer | M4, SS | 7L22-0400 | 2 | | | | | | | | |
| 37 | Valve Body-Line | - | 4A3276-01 | 1 | | | | | | | | |
| 38 | Line Valve Bracket | - | 4A1406-01 | 1 | | | | | | | | |
| 38a | T2 Screw | 4x8 | 7P31-0408 | 2 | | | | | | | | |
| 38b | Split Lock Washer | M4, SS | 7L22-0400 | 2 | | | | | | | | |
| 39 | Coil-Valve | - | 4A3277-01 | 2 | | | | | | | | |
| 39a | Bolt | - | 4A3277F01 | 2 | | | | | | | | |
| 39b | Truss Head Screw | 4x8 | 7C31-0408 | 4 | | | | | | | | |
| 39c | Split Lock Washer | M4, SS | 7L22-0400 | 4 | | | | | | | | |
| 40 | Drier | - | 4A2666-01 | 1 | | | | | | | | |
| 41 | Nylon Tie | PLWP3H-TL | 8911-0301 | 1 | | | | | | | | |
| 42 | Service Valve | - | 4A3420-01 | 2 | | | | | | | | |
| 42a | Hex Head Tapping Screw | 1/4-20x1/2 | 7B0311412 | 2 | | | | | | | | |
| 42b | Split Lock Washer | M8, SS | 7L22-0800 | 2 | | | | | | | | |
| 43 | Pressure Switch | - | 433441-07 | 1 | | | | | | | | |
| 44 | Pressure Switch Bracket | - | 434938-01 | 1 | | | | | | | | |
| 44a | T2 Screw | 4x8 | 7P31-0408 | 1 | | | | | | | | |
| 44b | Split Lock Washer | M4, SS | 7L22-0400 | 1 | | | | | | | | |
| 45 | Insulation | - | 436671-01 | 1 | | | | | | | | |
| 46 | Insulated Rubber Tube | - | 323975G01 | 1 | | | | | | | | |
| 47 | Insulation Holder | - | 3A0979-01 | 1 | | | | | | | | |
| 47a | T2 Screw | 4x8, SS | 7P32-0408 | 2 | | | | | | | | |
| 47b | Split Lock Washer | M4, SS | 7L22-0400 | 2 | | | | | | | | |
| 48 | Insulation Tubing | L=40 | 7762-1020 | 1 | | | | | | | | |
| 49 | Wire Saddle | - | 4A0338-02 | 3 | | | | | | | | |
| 50 | Cable Tie | CV-200 | 8911-0200 | 15 | | | | | | | | |
| 51 | Clamp | - | 4A2338-01 | 1 | | | | | | | | |
| 52 | Frame Seal | Black EPDM | 323925-01 | 4 | | | | | | | | |
| 52a | T2 Screw | 4x12, SS | 7P32-0412 | 4 | | | | | | | | |
| 52b | Split Lock Washer | M4, SS | 7L22-0400 | 4 | | | | | | | | |

C. Water Circuit
KM-1301SAH-E
 T-0, U-0



Title: **C. Water Circuit** Model: **KM-1301SAH-E**

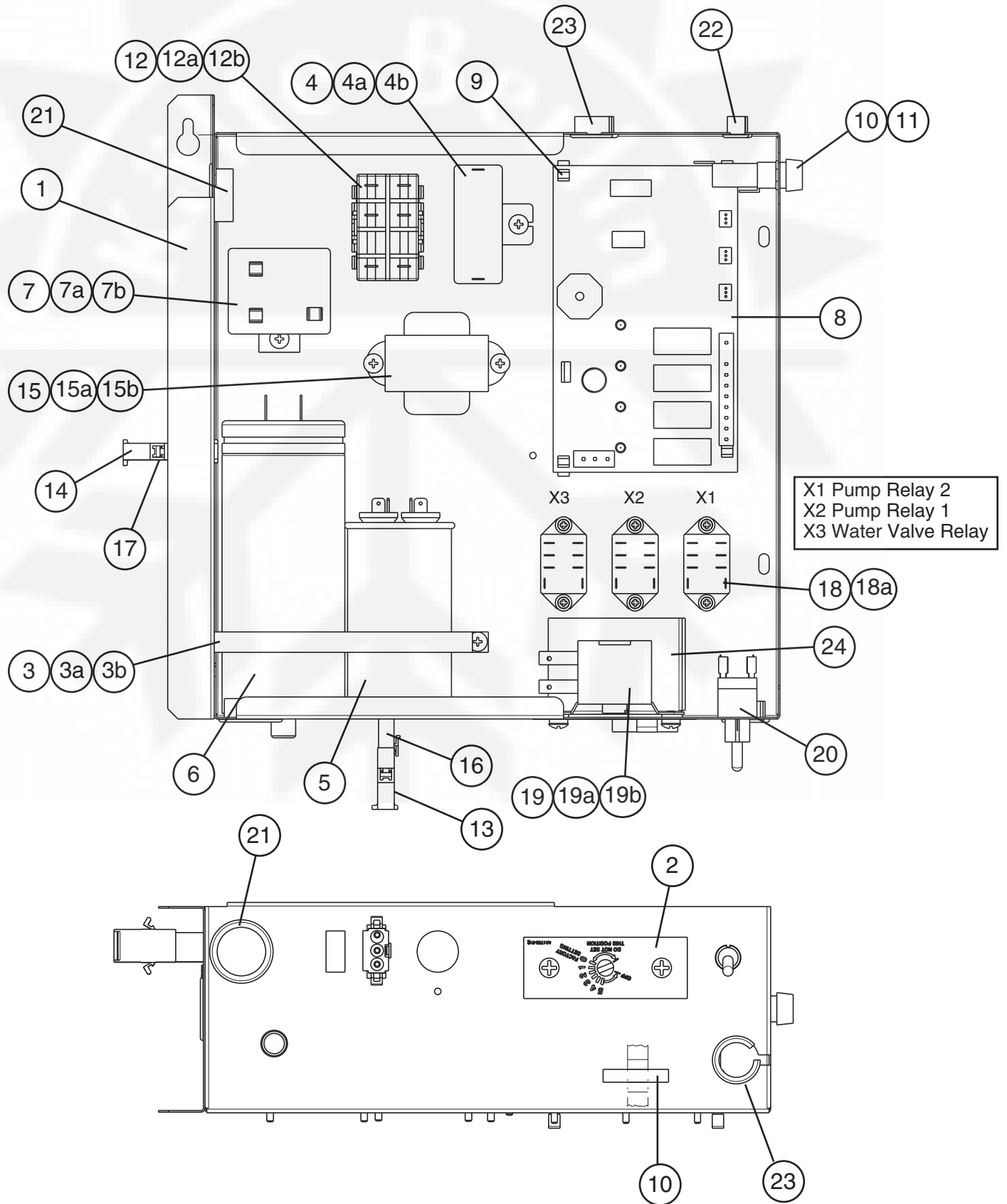
| Index No. | Description | Material or Model Number | Part Number | Required Number | | | | | | | | | | | | | | | | |
|-----------|------------------------|--------------------------|-------------|-----------------|-----|--|--|--|--|--|--|--|--|--|--|--|--|--|--|--|
| | | | | T-0 | U-0 | | | | | | | | | | | | | | | |
| H | Pump Motor Assembly | S-0862 | 215692A04 | 1 | | | | | | | | | | | | | | | | |
| H1 | Truss Head Screw | 5x8, SS | 7C32-0508 | 2 | | | | | | | | | | | | | | | | |
| H2 | Split Lock Washer | M5, SS | 7L22-0500 | 2 | | | | | | | | | | | | | | | | |
| 1 | Water Supply Pipe | - | 4A0768G01 | 1 | | | | | | | | | | | | | | | | |
| 1a | T2 Screw | 4x8 | 7P31-0408 | 2 | | | | | | | | | | | | | | | | |
| 1b | Split Lock Washer | M4, SS | 7L22-0400 | 2 | | | | | | | | | | | | | | | | |
| 2 | Rubber Gasket | - | 413854-03 | 1 | | | | | | | | | | | | | | | | |
| 3 | Water Valve Bracket | - | 3A2685-01 | 1 | | | | | | | | | | | | | | | | |
| 3a | T2 Screw | 4x8 | 7P31-0408 | 1 | | | | | | | | | | | | | | | | |
| 3b | Split Lock Washer | M4, SS | 7L22-0400 | 1 | | | | | | | | | | | | | | | | |
| 4 | Water Valve | 126756-0 | 4A1176-02 | 1 | | | | | | | | | | | | | | | | |
| 4a | Truss Head Screw | 4x8, SS | 7C32-0408 | 2 | | | | | | | | | | | | | | | | |
| 5 | Distributor | - | 438276G01 | 1 | | | | | | | | | | | | | | | | |
| 6 | Hose Clamp | 18mm, SS | 427443-05 | 1 | | | | | | | | | | | | | | | | |
| 7 | Hose Clamp | 32mm, SS | 427443-09 | 2 | | | | | | | | | | | | | | | | |
| 8 | Distributor Assembly | - | 4A1175G01 | 1 | | | | | | | | | | | | | | | | |
| 9 | Distributor Hose (A) | - | 325738-01 | 1 | | | | | | | | | | | | | | | | |
| 10 | Distributor Hose (B) | - | 325738-02 | 1 | | | | | | | | | | | | | | | | |
| 11 | Distributor Hose (C) | - | 323985-01 | 2 | | | | | | | | | | | | | | | | |
| 12 | Hose Clamp | 25mm, SS | 427443-03 | 7 | | | | | | | | | | | | | | | | |
| 13 | Joint Pipe | - | 439297-01 | 1 | | | | | | | | | | | | | | | | |
| 14 | Hose Clamp | 13.5mm, SS | 427443-07 | 6 | | | | | | | | | | | | | | | | |
| 15 | Spray Tube | - | 437049G01 | 6 | | | | | | | | | | | | | | | | |
| 16 | Spray Guide | - | 208586-01 | 18 | | | | | | | | | | | | | | | | |
| 17 | Separator (A) | - | 213622-01 | 2 | | | | | | | | | | | | | | | | |
| 18 | Separator (B) | - | 2A0100-01 | 2 | | | | | | | | | | | | | | | | |
| 19 | Cube Guide | - | 214243-01 | 2 | | | | | | | | | | | | | | | | |
| 20 | Hose (A) | Black, EPDM | 435091-01 | 1 | | | | | | | | | | | | | | | | |
| 21 | Hose (B) | - | 436599-01 | 1 | | | | | | | | | | | | | | | | |
| 22 | Vinyl Hose | L=415 | 7716-2732 | 1 | | | | | | | | | | | | | | | | |
| 23 | Bushing | SB-1500-21 | 420470-06 | 2 | | | | | | | | | | | | | | | | |
| 24 | "O" Ring | - | 7611-G035 | 1 | | | | | | | | | | | | | | | | |
| 25 | Spring | - | 322110-01 | 1 | | | | | | | | | | | | | | | | |
| 26 | Valve Seat | Black, EPDM | 433705-01 | 1 | | | | | | | | | | | | | | | | |
| 27 | Valve Housing-Drain | ABS, White | 323613-01 | 1 | | | | | | | | | | | | | | | | |
| 27a | T2 Screw | 4x10, SS | 7P32-0410 | 3 | | | | | | | | | | | | | | | | |
| 28 | Overflow Cap | - | 323978-01 | 1 | | | | | | | | | | | | | | | | |
| 29 | Joint-Overflow | - | 323923-02 | 1 | | | | | | | | | | | | | | | | |
| 30 | "O" Ring | - | 7611-P018 | 1 | | | | | | | | | | | | | | | | |
| 31 | Float Switch Bracket | SS | 3A0449-01 | 1 | | | | | | | | | | | | | | | | |
| 31a | T2 Screw | 4x8, SS | 7P32-0408 | 2 | | | | | | | | | | | | | | | | |
| 31b | Split Lock Washer | M4, SS | 7L22-0400 | 2 | | | | | | | | | | | | | | | | |
| 32 | Connector-Float Switch | - | 426799-04 | 1 | | | | | | | | | | | | | | | | |
| 33 | Float Switch | - | 4A3624-01 | 1 | | | | | | | | | | | | | | | | |
| 33a | Truss Head Screw | 4x10, SS | 7C32-0410 | 2 | | | | | | | | | | | | | | | | |
| 34 | Silicone Hose | L=140 | 7730I3812 | 1 | | | | | | | | | | | | | | | | |
| 35 | Silicone Hose | L=390 | 7730I3896 | 1 | | | | | | | | | | | | | | | | |

| Title: C. Water Circuit Model: KM-1301SAH-E | | | | | | | | | | | | |
|---|-----------------|--------------------------|-------------|-----------------|-----|--|--|--|--|--|--|--|
| Index No. | Description | Material or Model Number | Part Number | Required Number | | | | | | | | |
| | | | | T-0 | U-0 | | | | | | | |
| 36 | Clamp | 4253 | 427902-05 | 1 | | | | | | | | |
| 37 | Insulation Tube | L=80 | 7762-3555 | 1 | | | | | | | | |
| 38 | Insulation Tube | L=120 | 7762-3555 | 1 | | | | | | | | |
| 39 | Insulation Tube | L=150 | 7762-3555 | 1 | | | | | | | | |
| 40 | Drain Hose | - | 324757-01 | 1 | | | | | | | | |
| 41 | Joint Hose | - | 439296-02 | 1 | | | | | | | | |
| 42 | Flange | - | 439267-02 | 1 | | | | | | | | |
| 43 | Drain Plug | - | 309246-01 | 1 | | | | | | | | |
| 44 | "O" Ring | - | 7611-P015 | 1 | | | | | | | | |
| 45 | Wire Saddle | - | 4A0338-02 | 7 | | | | | | | | |

D. Control Box Assembly

KM-1301SAH-E

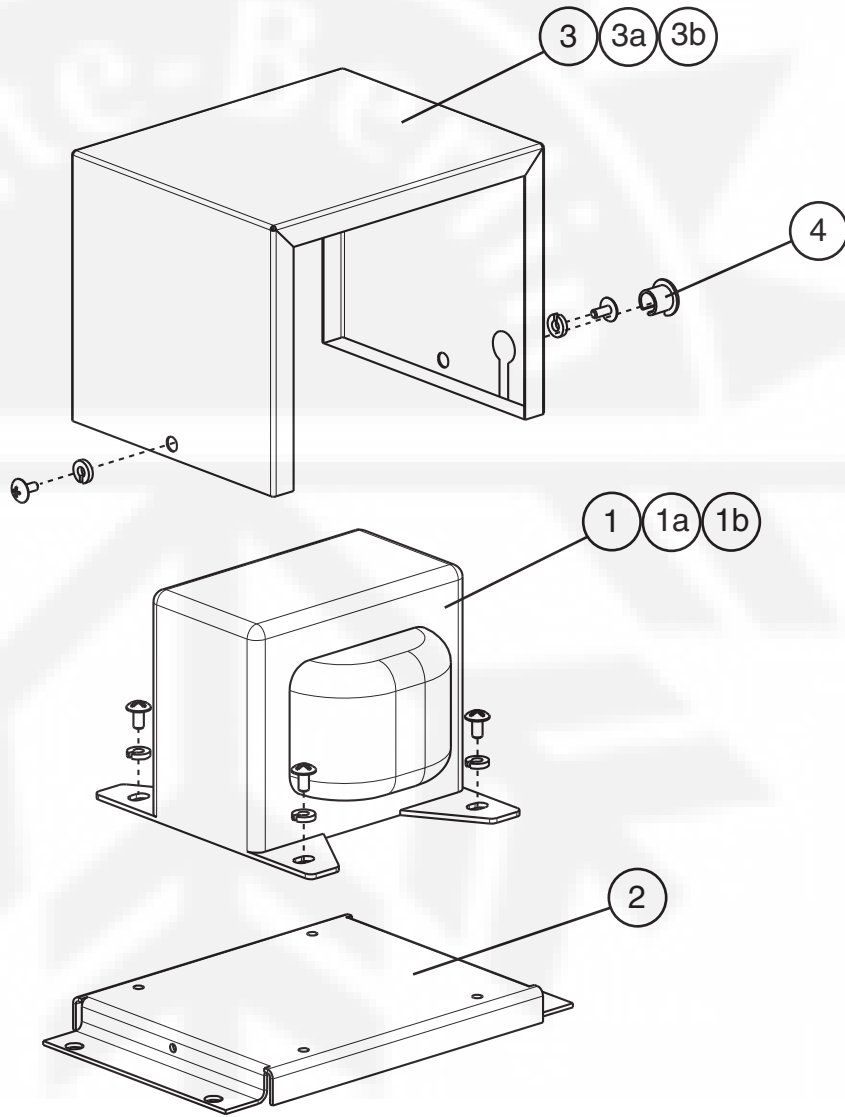
T-0, U-0



| Title: D. Control Box Assembly Model: KM-1301SAH-E | | | | | | | | | | | | |
|--|----------------------|--------------------------|-------------|-----------------|-----|--|--|--|--|--|--|--|
| Index No. | Description | Material or Model Number | Part Number | Required Number | | | | | | | | |
| | | | | T-0 | U-0 | | | | | | | |
| 1 | Control Box | - | 2A4864G01 | 1 | | | | | | | | |
| 2 | Control Label | - | 4A1758-01 | 1 | | | | | | | | |
| 3 | Strap | - | 4A2262-04 | 1 | | | | | | | | |
| 3a | T2 Screw | 4x8 | 7P31-0408 | 1 | | | | | | | | |
| 3b | Split Lock Washer | M4, SS | 7L22-0400 | 1 | | | | | | | | |
| 4 | Capacitor-Pump Motor | 15.0MFD, 250VAC | 4A2128-02 | 1 | | | | | | | | |
| 4a | T2 Screw | 4x8 | 7P31-0408 | 1 | | | | | | | | |
| 4b | Split Lock Washer | M4, SS | 7L22-0400 | 1 | | | | | | | | |
| 5 | Capacitor-Run | 35MFD, 440VAC | 3A2005-12 | 1 | | | | | | | | |
| 6 | Capacitor-Start | 160MFD, 330VAC | 4A1094-01 | 1 | | | | | | | | |
| 7 | Starter (Relay) | - | 4A1107-13 | 1 | | | | | | | | |
| 7a | T2 Screw | 4x8 | 7P31-0408 | 1 | | | | | | | | |
| 7b | Split Lock Washer | M4, SS | 7L22-0400 | 1 | | | | | | | | |
| 8 | Control Board | - | 2A3792-01 | 1 | | | | | | | | |
| 9 | Board Support | - | 4A0336-03 | 4 | | | | | | | | |
| 10 | Fuse | 10A, 250V | 4A0893-07 | 2 | | | | | | | | |
| 11 | Fuse Holder | 1/4x1-1/4 | 4A3449-01 | 1 | | | | | | | | |
| 12 | Magnetic Contactor | - | 428393-01 | 1 | | | | | | | | |
| 12a | T2 Screw | 4x8 | 7P31-0408 | 2 | | | | | | | | |
| 12b | Split Lock Washer | M4, SS | 7L22-0400 | 2 | | | | | | | | |
| 13 | Plug Housing | 3P | 412832-06 | 1 | | | | | | | | |
| 14 | Plug Housing | 2P | 412832-07 | 1 | | | | | | | | |
| 15 | Transformer | - | 3A0172-01 | 1 | | | | | | | | |
| 15a | T2 Screw | 4x8 | 7P31-0408 | 2 | | | | | | | | |
| 15b | Split Lock Washer | M4, SS | 7L22-0400 | 2 | | | | | | | | |
| 16 | Receptacle Housing | 3P | 412831-06 | 1 | | | | | | | | |
| 17 | Receptacle Housing | 2P | 412831-07 | 1 | | | | | | | | |
| 18 | Relay (X1, X2, X3) | - | 406132-07 | 3 | | | | | | | | |
| 18a | Tapping Screw | 3x8 | 431415-01 | 6 | | | | | | | | |
| 19 | Thermostat | - | 4A2879-02 | 1 | | | | | | | | |
| 19a | Truss Head Screw | 4x6 | 7C31-0406 | 2 | | | | | | | | |
| 19b | Split Lock Washer | M4, SS | 7L22-0400 | 2 | | | | | | | | |
| 20 | Toggle Switch | - | 4A2436-01 | 1 | | | | | | | | |
| 21 | Bushing | SB-1093-15 | 420470-03 | 2 | | | | | | | | |
| 22 | Bushing | OCB-500 | 428394-02 | 1 | | | | | | | | |
| 23 | Bushing | OCB-875 | 428394-04 | 2 | | | | | | | | |
| 24 | Barrier | - | 4A1096-01 | 1 | | | | | | | | |

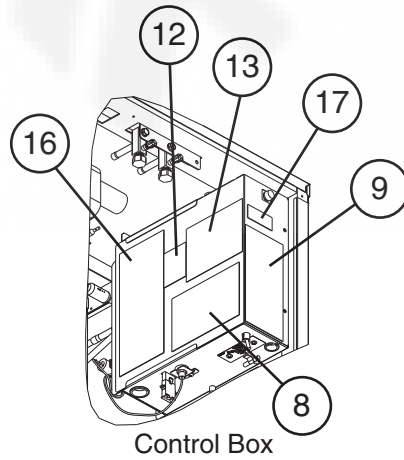
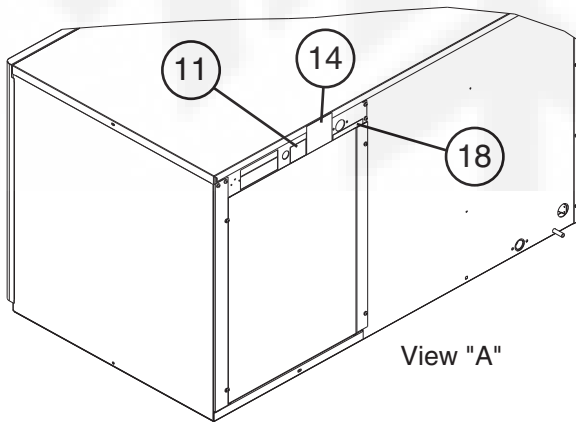
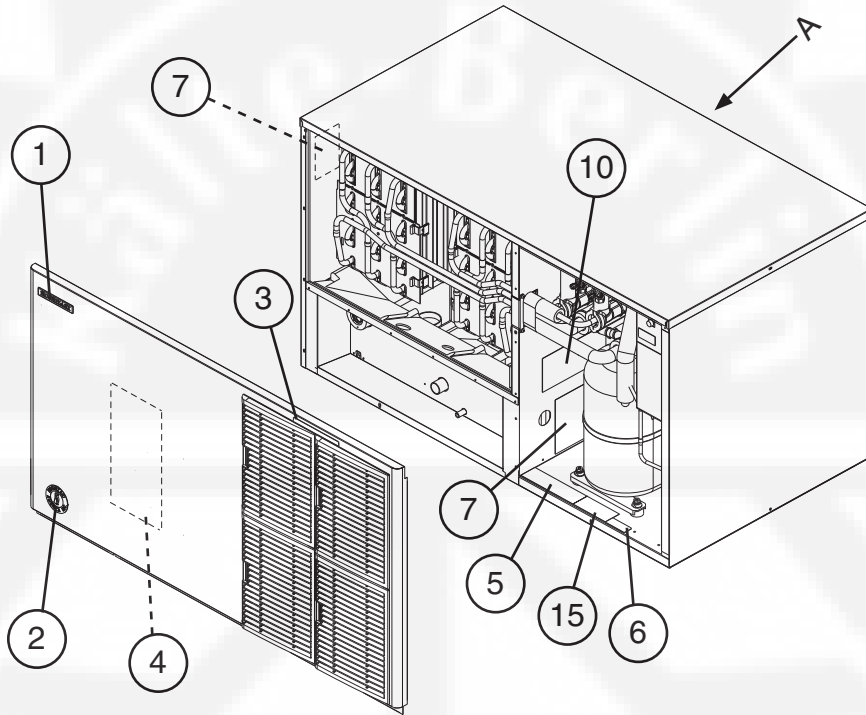
Note: For Fan Capacitor, see the Refrigeration Circuit in this manual.

E. Transformer Box Assembly
KM-1301SAH-E
 T-0, U-0



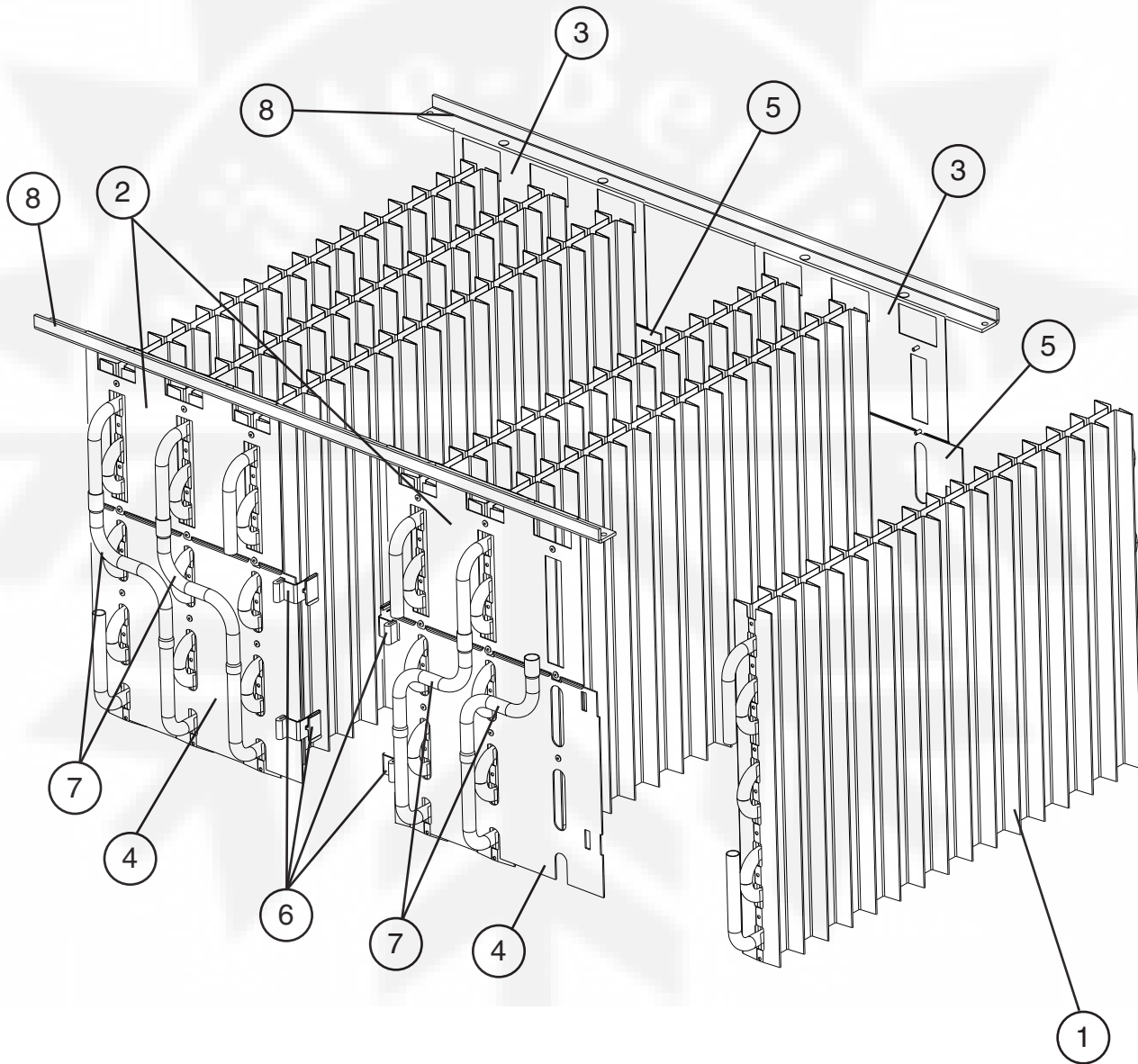
| Title: E. Transformer Box Assembly | | Model: KM-1301SAH-E | | Required Number | | | | | | | | | | |
|------------------------------------|---------------------|--------------------------|-------------|-----------------|--|--|--|--|--|--|--|--|--|--|
| Index No. | Description | Material or Model Number | Part Number | T-0 | | | | | | | | | | |
| | | | | U-0 | | | | | | | | | | |
| 1 | Transformer | - | 447420-01 | 1 | | | | | | | | | | |
| 1a | Truss Head Screw | 4x8 | 7C31-0408 | 4 | | | | | | | | | | |
| 1b | Split Lock Washer | M4, SS | 7L22-0400 | 4 | | | | | | | | | | |
| 2 | Transformer Bracket | - | 447955-01 | 1 | | | | | | | | | | |
| 3 | Transformer Cover | - | 447956-01 | 1 | | | | | | | | | | |
| 3a | T2 Screw | 4x8 | 7P31-0408 | 2 | | | | | | | | | | |
| 3b | Split Lock Washer | M4, SS | 7L22-0400 | 2 | | | | | | | | | | |
| 4 | Bushing | OCB-500 | 428394-02 | 1 | | | | | | | | | | |

F. Label Location
KM-1301SAH-E
T-0, U-0



| Title: F. Label Location Model: KM-1301SAH-E | | | | | | | | | | | | |
|--|--------------------------|--------------------------|-------------|-----------------|-----|--|--|--|--|--|--|--|
| Index No. | Description | Material or Model Number | Part Number | Required Number | | | | | | | | |
| | | | | T-0 | U-0 | | | | | | | |
| 1 | Emblem | - | 4A0560-01 | 1 | | | | | | | | |
| 2 | Label-Penguin (R) | - | 4A0526-01 | 1 | | | | | | | | |
| 3 | Label-Air Filter | - | 426177-01 | 1 | | | | | | | | |
| 4 | Maintenance Label | - | 3A5010-01 | 1 | | | | | | | | |
| 5 | Caution Label (K) | - | 439150-01 | 1 | | | | | | | | |
| 6 | Label-R404A | - | 4A0960-01 | 1 | | | | | | | | |
| 7 | Nameplate | - | 1A1591-07 | 2 | | | | | | | | |
| 8 | Wiring Label | - | 3A5008-01 | 1 | | | | | | | | |
| 9 | Manual Label | - | 324476-01 | 1 | | | | | | | | |
| 10 | Manual Label-Bin Control | - | 3A4841-01 | 1 | | | | | | | | |
| 11 | Label-Main Connection | - | 4A1169-01 | 1 | | | | | | | | |
| 12 | Process Valve Label | - | 4A3943-01 | 1 | | | | | | | | |
| 13 | Label-Alarm | - | 4A3517-01 | 1 | | | | | | | | |
| 14 | Instruction Label | - | 444575-01 | 1 | | | | | | | | |
| 15 | Caution Label (F) | - | 439146-01 | 1 | | | | | | | | |
| 16 | Label-Control Board | - | 3A4799-01 | 1 | | | | | | | | |
| 17 | Label-Fuse | - | 4A2817-01 | 1 | | | | | | | | |
| 18 | Water Supply Label | - | 4A1158-01 | 1 | | | | | | | | |

G. Evaporator Assembly
KM-1301SAH-E
 T-0, U-0

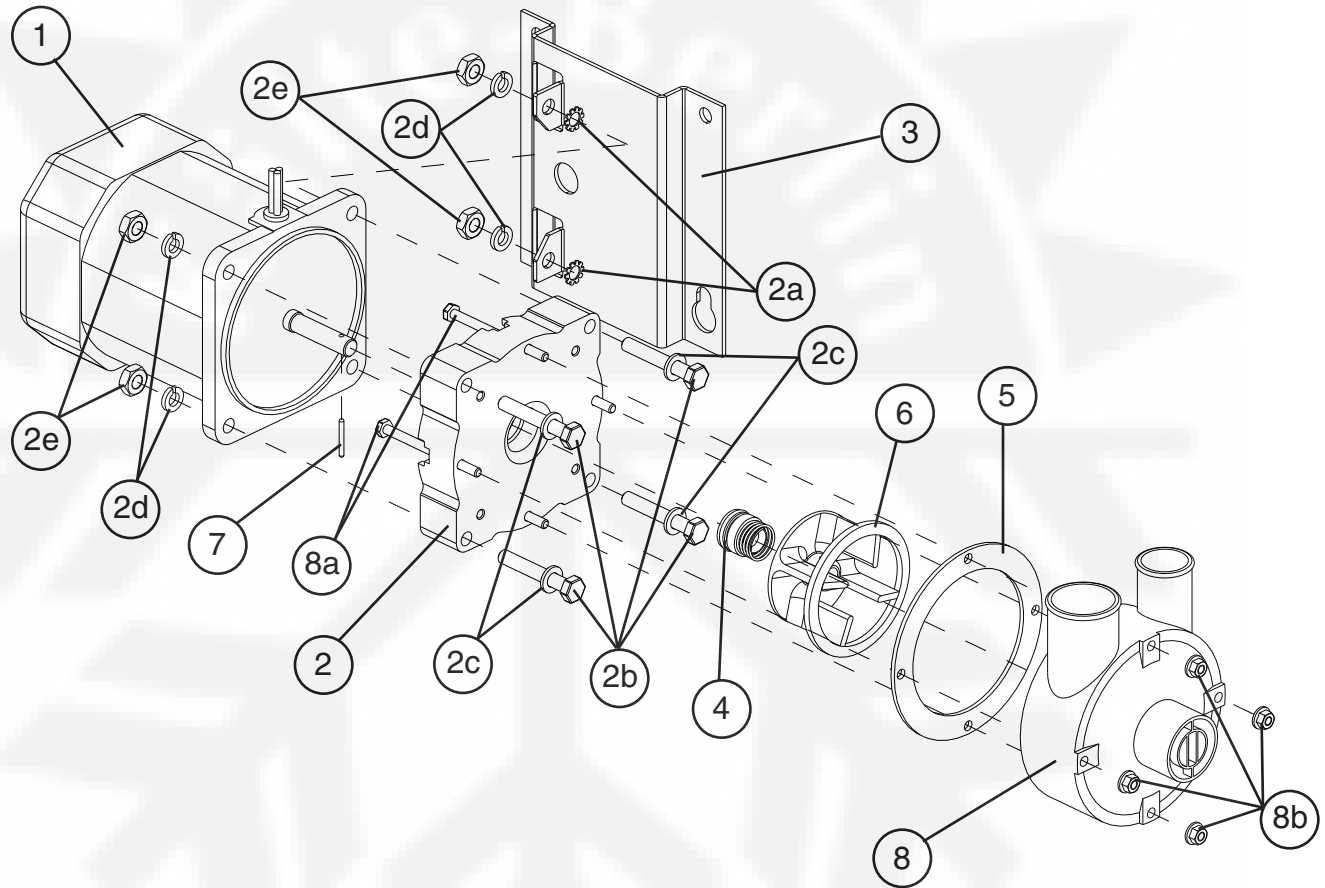


| Title: G. Evaporator Assembly Model: KM-1301SAH-E | | | | | | | |
|---|------------------------|--------------------------|-------------|-----------------|-----|--|--|
| Index No. | Description | Material or Model Number | Part Number | Required Number | | | |
| | | | | T-0 | U-0 | | |
| 1 | Evaporator | - | 103444G01 | 6 | | | |
| 2 | Evaporator Bracket (A) | SS | 323690-01 | 2 | | | |
| 3 | Evaporator Bracket (B) | SS | 323691-01 | 2 | | | |
| 4 | End Plate (A) | ABS | 323692-01 | 2 | | | |
| 5 | End Plate (B) | ABS | 323693-01 | 2 | | | |
| 6 | Hook | - | 324152-01 | 8 | | | |
| 7 | Copper Tube | - | 434137-01 | 4 | | | |
| 8 | Evaporator Bracket | - | 436582-01 | 2 | | | |

H. Pump Motor Assembly

KM-1301SAH-E

T-0, U-0



| Title: H. Pump Motor Assembly Model: KM-1301SAH-E | | | | | Required Number | | | | | | |
|---|--------------------|--------------------------|-------------|-----|-----------------|--|--|--|--|--|--|
| Index No. | Description | Material or Model Number | Part Number | T-0 | | | | | | | |
| | | | | U-0 | | | | | | | |
| 1 | Pump Motor | M91A60SP201 | 2U0106-01 | 1 | | | | | | | |
| 2 | Pump Flange | - | 215662-01 | 1 | | | | | | | |
| 2a | Tooth Washer | M6, SS | 7R22-0600 | 2 | | | | | | | |
| 2b | Hex Bolt | 6x40, SS | 7B02-0640 | 4 | | | | | | | |
| 2c | Flat Washer | M6, SS | 7W22-0600 | 4 | | | | | | | |
| 2d | Split Lock Washer | M6, SS | 7L22-0600 | 4 | | | | | | | |
| 2e | Hex Nut | M6, SS | 7N12-0600 | 4 | | | | | | | |
| 3 | Pump Motor Bracket | SS | 323904-01 | 1 | | | | | | | |
| 4 | Mechanical Seal | - | 4A3820-01 | 1 | | | | | | | |
| 5 | Packing | - | 428547-01 | 1 | | | | | | | |
| 6 | Impeller | ABS White | 334706G01 | 1 | | | | | | | |
| 7 | Pin | - | 4A0648-01 | 1 | | | | | | | |
| 8 | Pump Housing | ABS White | 213687-01 | 1 | | | | | | | |
| 8a | Hex Bolt | 4x55, SS | 7B02-0455 | 4 | | | | | | | |
| 8b | Hex Flange Nut | 4, SS | 7J02-0400 | 4 | | | | | | | |

J. Accessories & Packaging

KM-1301SAH-E

T-0, U-0

| Title: J. Accessories & Packaging Model: KM-1301SAH-E | | | | | | | | | | | | |
|---|---------------------|--------------------------|-------------|-----------------|-----|--|--|--|--|--|--|--|
| Index No. | Description | Material or Model Number | Part Number | Required Number | | | | | | | | |
| | | | | T-0 | U-0 | | | | | | | |
| 1 | Instruction Manual | - | 91A1NK10B | 1 | | | | | | | | |
| 2 | Installation Manual | - | 91A7DG11A | 1 | | | | | | | | |
| 3 | Universal Brace | - | 4A0363-01 | 2 | | | | | | | | |
| 3a | Hex Bolt | 5x12, SS | 7B02-0512 | 4 | | | | | | | | |
| | Packaging | - | 2A0876A12 | | | | | | | | | |