

AUXILIARY CODE

U - 1

The auxiliary code is the first two characters in the serial number. The first character indicates the production year. Years progress or regress in alphabetical order. The series of letters and skipped letters depend on UL listing, production, and model. See the auxiliary code(s) and corresponding year(s) on the front cover.

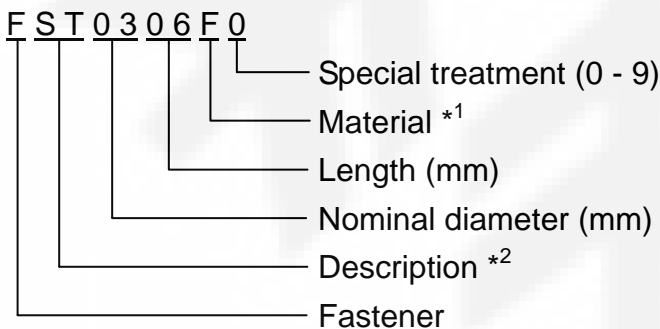
The second character indicates significant part changes within the same year. Base is "1" and this number advances for each change. If there is no significant part change at the turn of the year, this number starts from "0."

MARKS LOCATED UNDER THE AUXILIARY CODE

- = Part deleted.
- x = Part deleted and replaced by "o" part.
- o = New part in place of "x" part.

FASTENER PART NUMBER

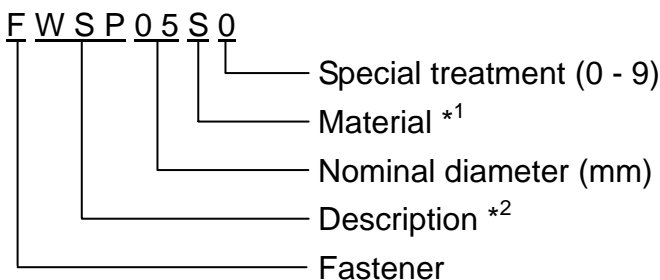
SCREWS



*¹ Material

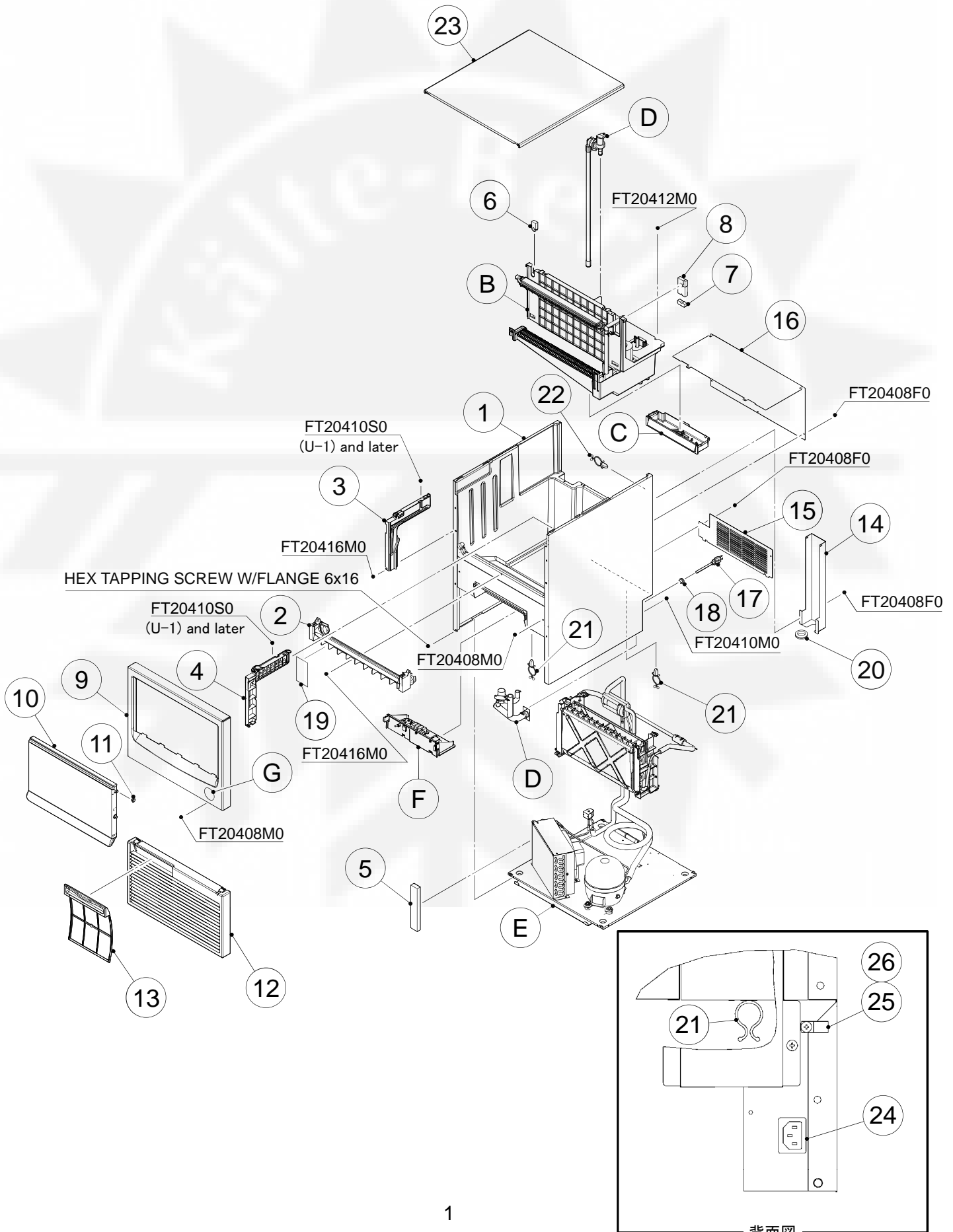
- F: Steel
- S: Austenitic stainless steel
- M: Martensitic stainless steel
- B: Copper alloy
- P: Polycarbonate
- N: Polyamide
- V: PVC
- A: ABS
- X: Polyacetal
- L: Aluminum

NUTS & WASHERS



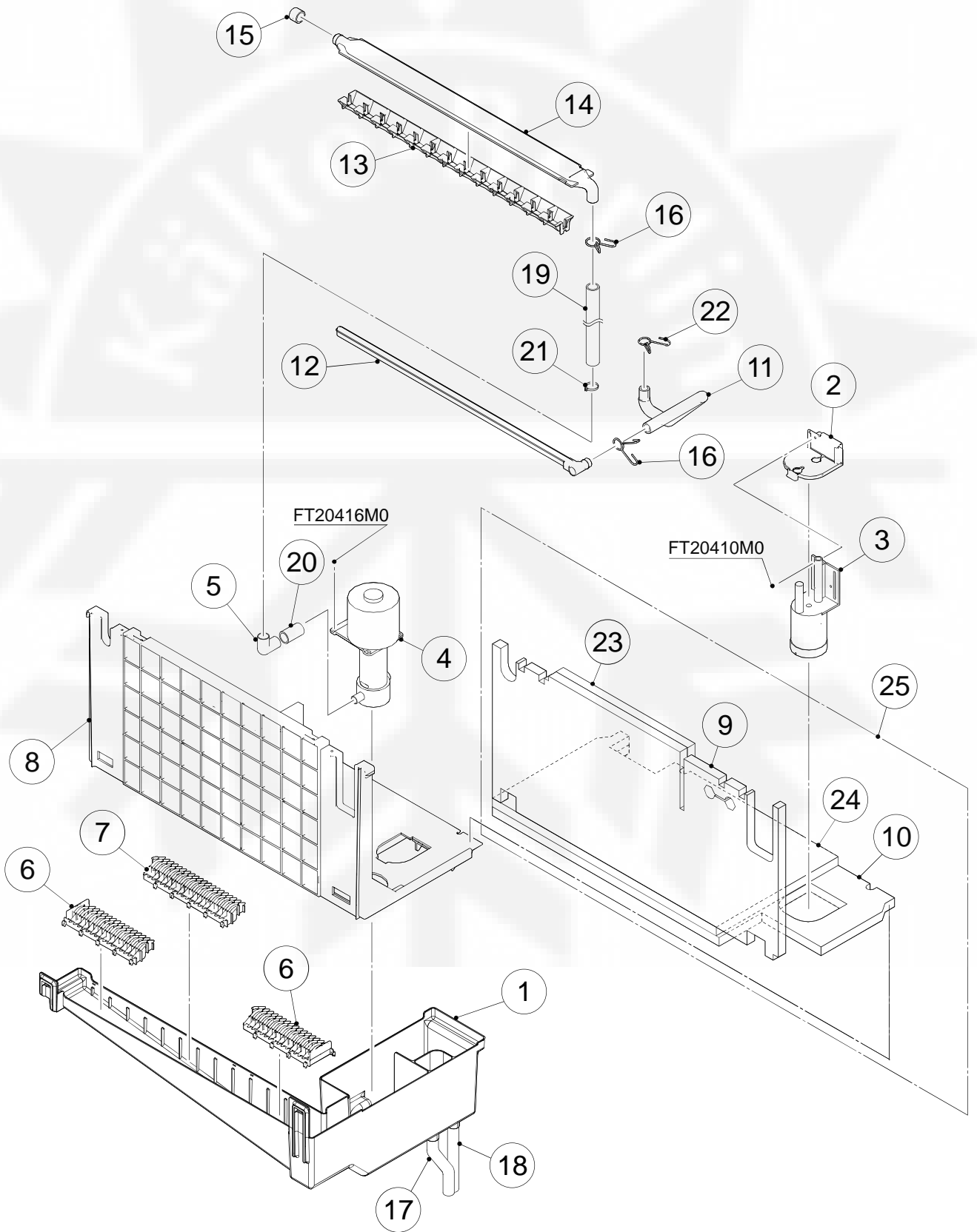
*² Description

- First letter
- S: Machine screw
- T: Tapping screw
- M: Wood screw
- B: Bolt
- W: Washer
- N: Nut



HE, HE/UK

MODEL: KM-75A		TITLE: A. ICE CUBER ASSY					
INDEX NO.	DESCRIPTION	MATERIAL OR MODEL NUMBER	PART NUMBER	REQ'D NUMBER			
				S-1,T-0	T-1,U-0	U-1,V-0	V-1
B	ICE MAKING MECHANISM ASSY		118056A01	1	1	1	1
C	MECHANICAL BIN SWITCH		369013A01	1	-		
			371151A01		1	1	1
D	WATER CIRCUIT ASSY		252119A01	1	1	1	1
E	REFRIGERATION CIRCUIT		118059A01	1	1	1	1
F	CONTROL BOX ASSY		252005A03	1	1	1	1
G	LABEL LOCATION		369023S02	1	1	1	1
K	ACCESSORIES			1	1	1	1
1	BODY ASSY		118053G01	1	1	-	
			119358G01			1	-
			120505G01				1
2	FRONT FRAME		250745-01	1	1	1	1
3	RAIL (L)		117628-01	1	1	-	
			119369P01			1	1
4	RAIL (R)		117629-01	1	1	-	
			119370P01			1	1
5	AIR GUARD		470302-02	1	1	1	1
6	GROMMET-PIPE (C)	SANTOPRENE (NATURAL)	470311-01	1	1	1	1
7	GROMMET-PIPE (B)	SANTOPRENE (NATURAL)	470310-01	1	1	1	1
8	GROMMET-PIPE (A)	SANTOPRENE (NATURAL)	471029R01	1	1	1	1
9	FRONT PANEL		369014G01	1	1	1	1
10	DOOR		369051G01	1	1	1	1
11	COLLAR		471009P01	4	4	4	4
12	LOUVER		117635-01	1	1	1	1
13	AIR FILTER		250727G01	1	1	1	1
14	COVER - PIPE		369096M02	1	1	1	1

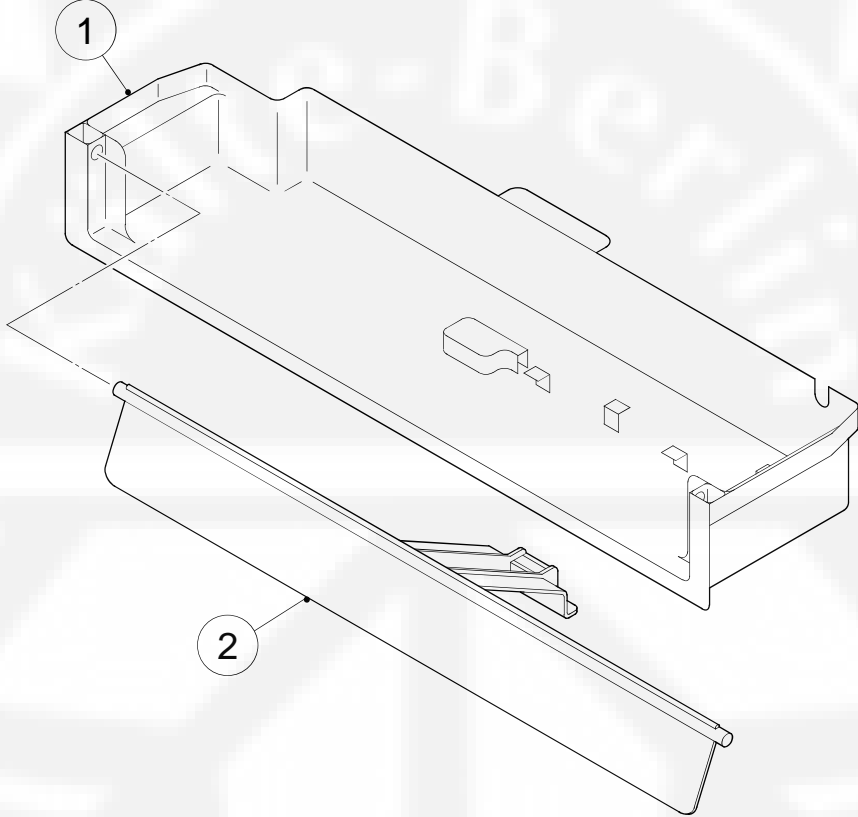


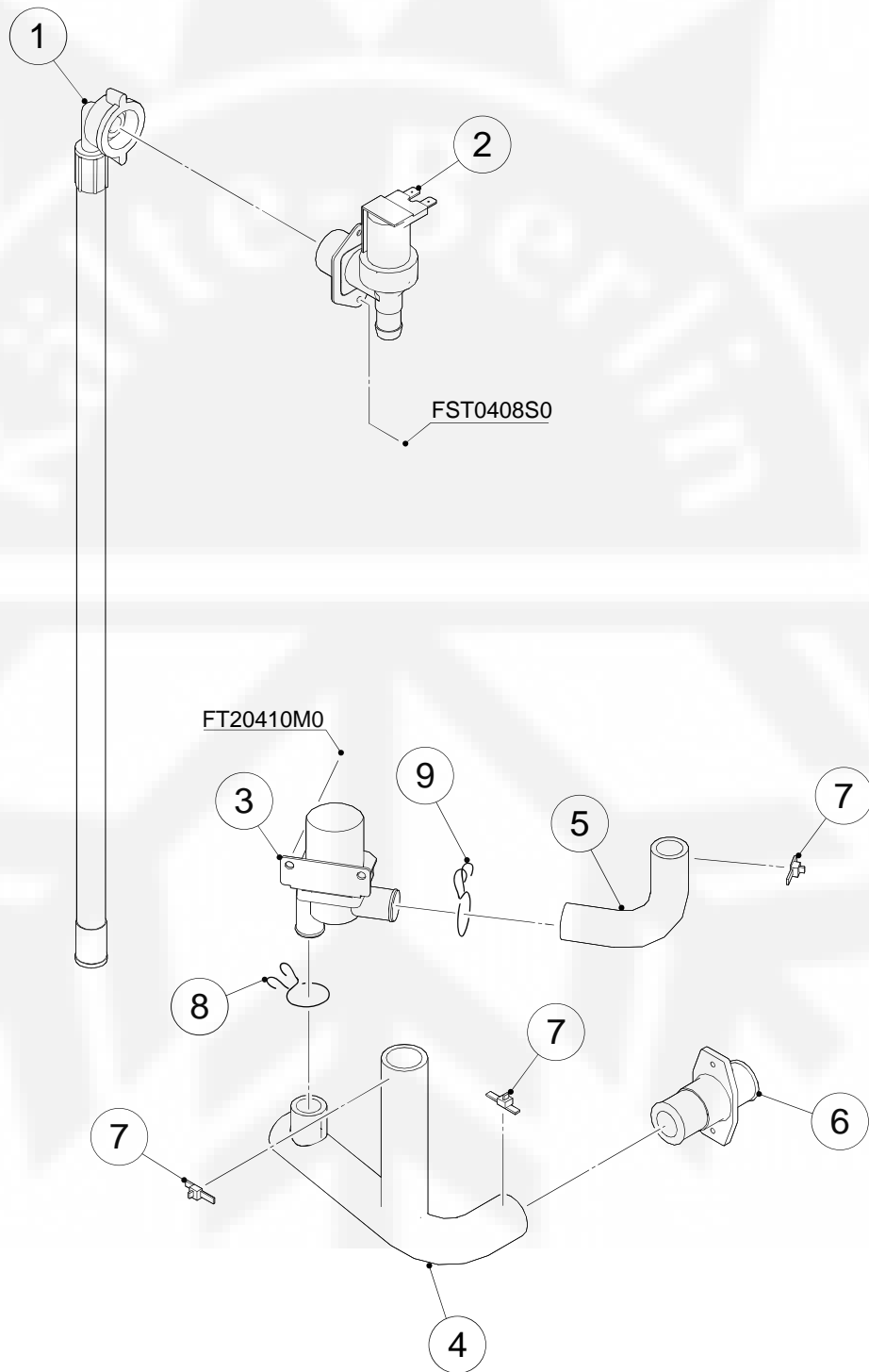
HE, HE/UK

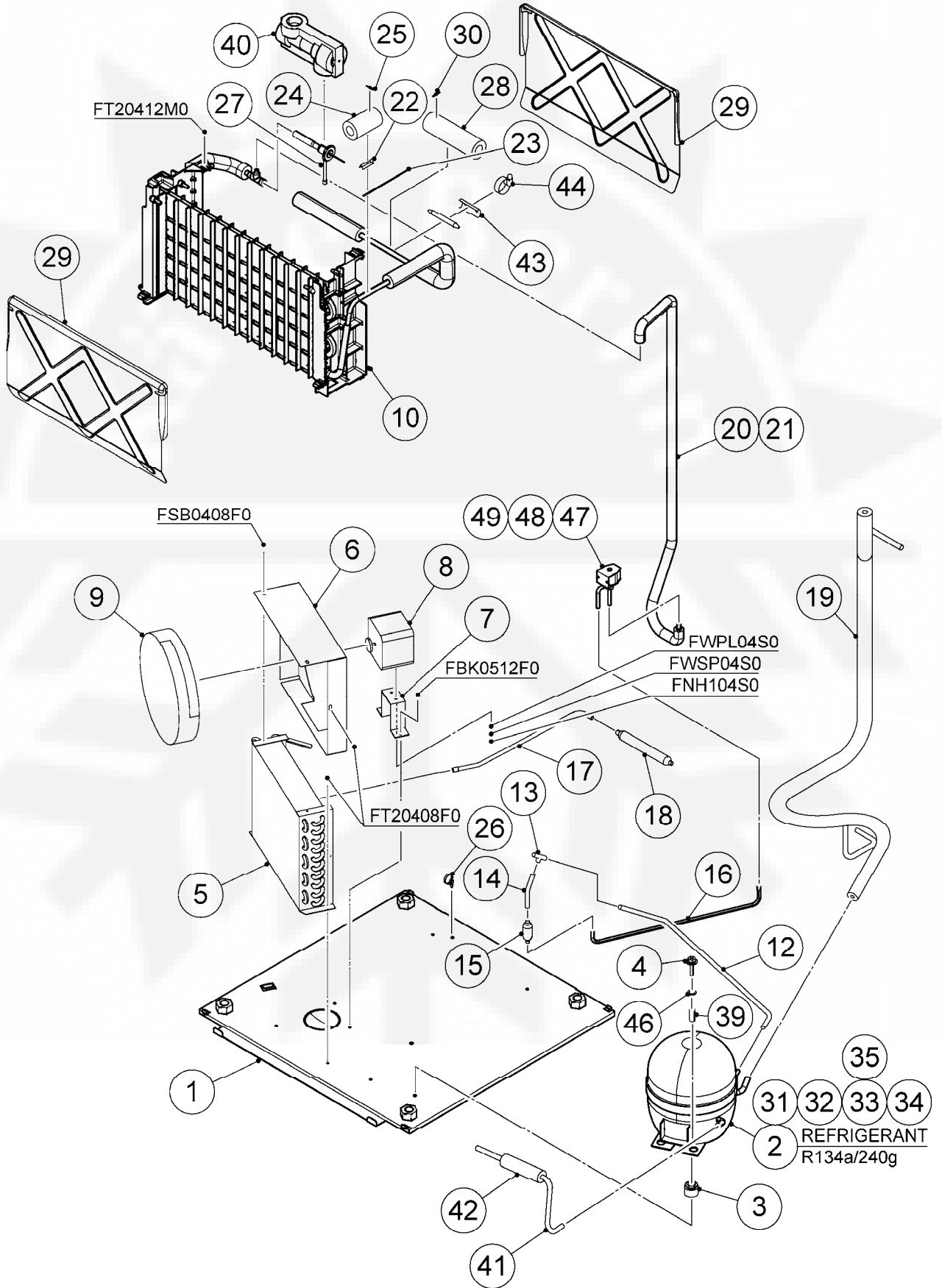
MODEL: KM-75A				TITLE: B. ICE MAKING MECHANISM ASSY			
INDEX NO.	DESCRIPTION	MATERIAL OR MODEL NUMBER	PART NUMBER	REQ'D NUMBER			
				S-1,T-0	T-1,U-0	U-1,V-0	V-1
1	WATER TANK		117639-01	1	1	1	1
2	BRACKET - FLOAT SWITCH		368339-01	1	1	1	1
3	FLOAT SWITCH		4A3624-02	1	1	1	1
4	PUMP MOTOR	PV-0512BHZ1	P00020-01	1	1	1	1
5	ELBOW		417703-01	1	1	1	1
6	CUBE GUIDE (A)		250742-01	2	2	2	2
7	CUBE GUIDE (C)		250740-01	1	1	1	1
8	BRACKET - ICE MAKING		117632-01	1	1	1	1
9	INSULATION - MECHANISM (A)	Only available as No.25.	368347-01	-	-	-	-
10	INSULATION - MECHANISM (B)	Only available as No.25.	368346-01	-	-	-	-
11	WATER SUPPLY PIPE		369100R01	1	1	1	-
	WATER SUPPLY HOSE		374290R01				1
12	WATER SUPPLY TUBE		250743-03	1	1	1	1
13	SPRAY GUIDE		252052P03	1	1	1	-
			258313P05				1
14	SPRAY TUBE		250746-03	1	1	1	1
15	SPRAY TUBE CAP		370777R01	1	1	1	1
16	HOSE CLAMP		427443-04	2	2	2	2
17	PIPE - OVERFLOW		369038G03	1	1	1	1
18	SILICONE HOSE	L=230 14 DIA x 18 DIA (CLEAR)	H11418230	1	1	1	1
19	SILICONE HOSE	L=370 14 DIA x 18 DIA (CLEAR)	H11418370	1	1	1	-
		L=350 14 DIA x 18 DIA (CLEAR)	H11418350				1
20	SILICONE HOSE	L=30 14 DIA x 18 DIA (CLEAR)	H11418030	1	1	1	1
21	CABLE TIE	CV-100	7920-0002	3	3	3	3
22	HOSE CLAMP		427443-07	1	1	1	1
23	INSULATION - MECHANISM (C)	Only available as No.25.	3Y2430Z01	-	-	-	-

HE, HE/UK

MODEL: KM-75A		TITLE: B. ICE MAKING MECHANISM ASSY					
INDEX NO.	DESCRIPTION	MATERIAL OR MODEL NUMBER	PART NUMBER	REQ'D NUMBER			
				S-1,T-0	T-1,U-0	U-1,V-0	V-1
24	INSULATION - MECHANISM (D)	Only available as No.25.	3Y2431Z01	-	-	-	-
25	INSULATION - MECHANISM		256827P01			1	1





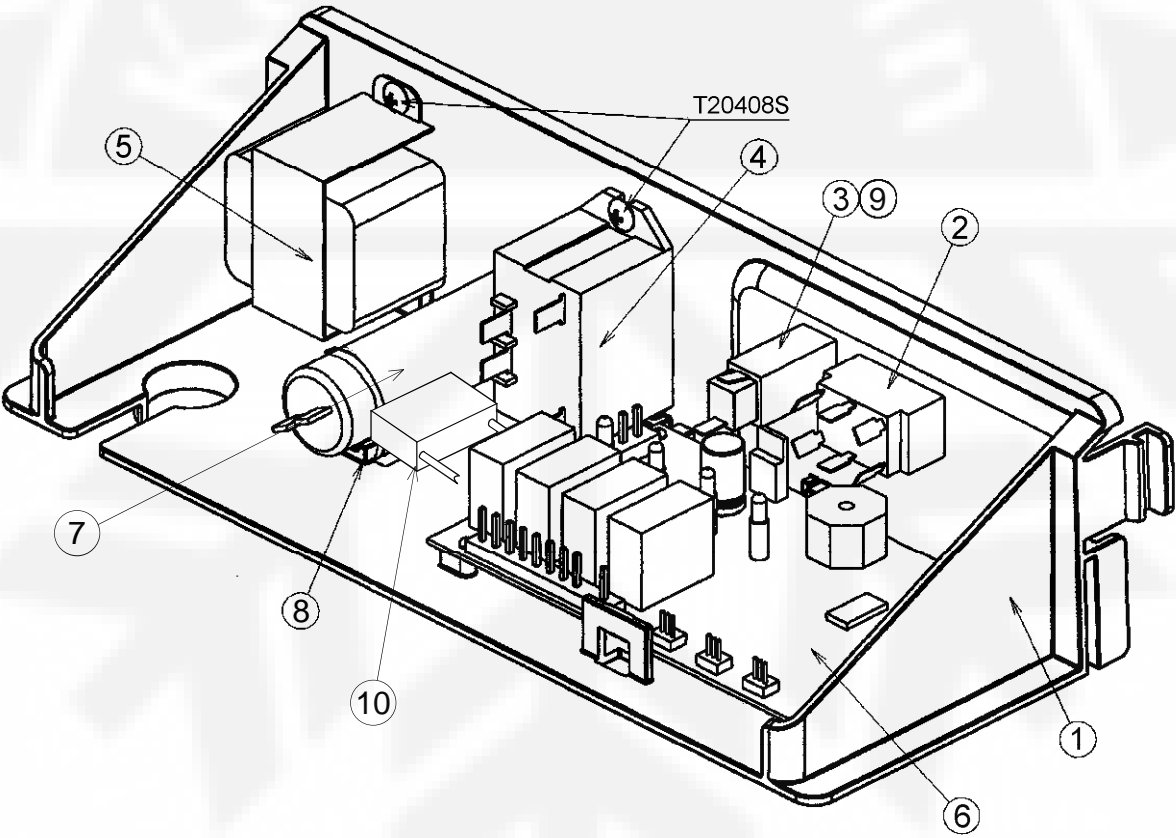


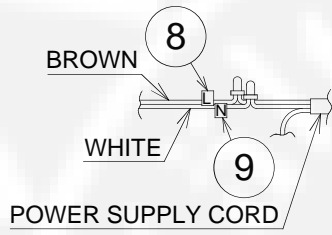
HE, HE/UK

MODEL: KM-75A				TITLE: E. REFRIGERATION CIRCUIT			
INDEX NO.	DESCRIPTION	MATERIAL OR MODEL NUMBER	PART NUMBER	REQ'D NUMBER			
				S-1,T-0	T-1,U-0	U-1,V-0	V-1
1	BASE		369139G01	1	1	1	1
2	COMPRESSOR	QA125K26CAW5-HOLS	P00052-01	1	1	1	1
3	RUBBER GROMMET	01-228511	459218-01	4	4	4	4
4	HEX HEAD BOLT W/WASHER [SW]	6 x 30		2	2	2	2
5	CONDENSER - AIR COOLED		P00030-01	1	1	1	1
6	SHROUD		368319-01	1	1	1	1
7	BRACKET - FM		470291-01	1	1	1	1
8	FAN MOTOR	M4Q045-CA03-51	P00022-01	1	1	1	1
9	FAN BLADE	230 DIA (28°)	P00031-01	1	1	1	1
10	EVAPORATOR ASSY		252014G01	1	1	1	-
			258411G01				1
12	COPPER TUBE(A) - HI		368334-01	1	1	1	1
13	TEE		420041-03	1	1	1	1
14	COPPER TUBE(B) - HI		470297-01	1	1	1	1
15	STRAINER		P00008-01	1	1	1	1
16	COPPER TUBE(C) - HI		471943M01	1	1	1	1
17	COPPER TUBE(D) - HI		470295-01	1	1	1	1
18	DRIER		P00026-01	1	1	1	1
19	HEAT EXCHANGER		369340G01	1	1	1	1
20	COPPER TUBE - HOT GAS	COPPER TUBE - HOT GAS 370331G01	370331M01	1	1	1	1
21	INSULATION TUBE	COPPER TUBE - HOT GAS 370331G01 L=1100	H71020H11	1	1	1	1
22	THERMISTOR HOLDER		436455-01	1	1	1	1
23	THERMISTOR	NBFC-36-H60-1	P00027-01	1	1	1	1
24	INSULATION - THERMISTOR		471010Z01	1	1	1	1
25	CABLE TIE	CV-100	7920-0002	2	2	2	2
26	PUSH MOUNT TIE	T30RSF	436156-01	1	1	1	1
27	EXPANSION VALVE	HFE-5QHD-3	P00318-01	1	1	1	1
28	INSULATION TUBE (A)	L=200	H73858200	1	1	1	1

HE, HE/UK

MODEL: KM-75A				TITLE: E. REFRIGERATION CIRCUIT			
INDEX NO.	DESCRIPTION	MATERIAL OR MODEL NUMBER	PART NUMBER	REQ'D NUMBER			
				S-1,T-0	T-1,U-0	U-1,V-0	V-1
29	SEPARATOR		250749-03	2	2	2	2
30	CABLE TIE	CV-200	7920-0010	2	2	2	2
31	STARTING RELAY	MM5-62C	P00364-01	1	1	1	1
32	MOTOR PROTECTOR	MM3-43GCF	P00365-01	1	1	1	1
33	PROTECTOR COVER	01-899613	P00356-01	1	1	1	1
34	CLAMP	01-245233	459222-01	1	1	1	1
35	CLIP	01-246801	438847-01	1	1	1	1
39	GROMMET SLEEVE	01-220430	459229-01	2	2	2	2
40	EXPANSION VALVE COVER		369332Z01	1	1	1	1
41	COPPER TUBE PROCESS(A)	COPPER TUBE - PROCESS(A) 471181G01	471181M01	1	1	1	1
42	INSULATION TUBE	COPPER TUBE - PROCESS(A) 471181G01 L=100	7762-1020	1	1	1	1
43	HOLDER - EXPV		451267-01	1	1	1	1
44	CLAMP		443461-01	1	1	1	1
46	WASHER		4Y4450M01	2	2	2	2
47	VALVE BODY	AMS - B24BH DU - 1	4A3275-01	1	1	1	1
48	COIL - VALVE		P00810-01	1	1	1	1
49	BOLT		P00811-01	1	1	1	1





NAME PLATE

