



@ÁR[•@æãŸ>|~|ãà^|ã^|ÁQ



Sê|ÉÖ:|ã
ÖF ÁU-æ:ãã^|ÁF
FGGEJÁÖ:|ã
Q|)KEI JÁHEÁI ÁFEÁ ÉGG
QæKEI JÁHEÁI ÁFEÁ ÉGF
T æãã |O\æ|ÉÖ:|ãã^
Qç|)^çã, , Éæ|ÉÖ:|ãã {

SELF-CONTAINED CUBER
MACHINE A GLAÇONS A BAC INTÉGRÉ
STECKERFERTIGER WÜRFELEISBEREITER
IJSBLOKJESMACHINE MET INGEBOUWDE OPSLAGBUNKER
FABRICADOR INTEGRADO DE CUBITOS DE HIELO
CUBETTATRICE AUTONOMA

IM-100CLE

**INSTRUCTION MANUAL
NOTICE D'UTILISATION
BEDIENUNGSANLEITUNG
GEBRUIKSAANWIJZING
MANUAL DE INSTRUCCIONES
MANUALE D'ISTRUZIONI**

IMPORTANT

1. This booklet is an integral and essential part of the product and should be kept and preserved by the user. Please read carefully the guidelines and warnings contained herein as they are intended to provide the installer/user with essential information for the proper installation and the continued safe use and maintenance of the product. Please preserve this booklet for any further consultation that may be necessary.
2. This is a commercial icemaker, and should be destined only to be used for the purpose for which it has been expressly designed. Any other use should be considered improper and therefore dangerous. The manufacturer will not be held liable or responsible for any damage caused by improper, incorrect and unreasonable use.

I. INSTALLATION INSTRUCTIONS

WARNING

The installation must be carried out by qualified personnel, in accordance with current regulations, according to the manufacturer's instructions.

1. UNPACKING

WARNING

Children should not be allowed in reach of the packaging elements (plastic bags and expanded polystyrene) as they are potential sources of danger.

CAUTION

Remove shipping carton, tape(s) and packing. If packing material is left in the icemaker, it will not work properly.

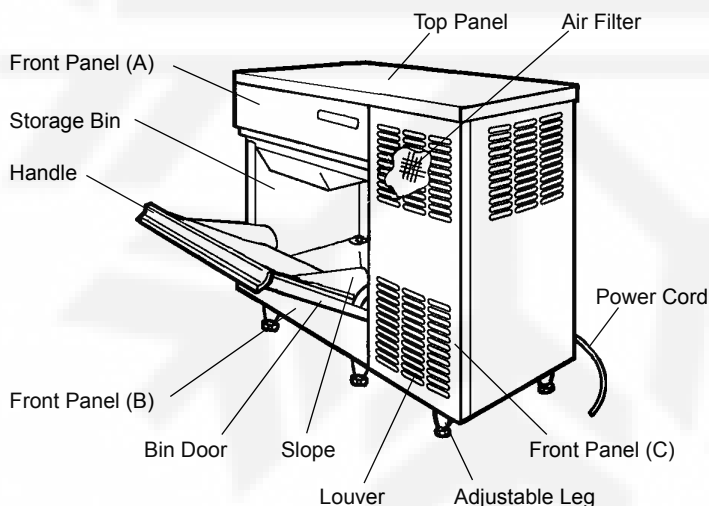


Fig. 1

- 1) After removing the packaging, make sure that the icemaker is in good condition. If in doubt, please do not use the equipment but apply to professionally qualified personnel.
- 2) Remove shipping tape holding the Door and Front Panel.
- 3) Remove the protective plastic film from the exterior. If the icemaker is exposed to the sun or to heat, remove the film after the icemaker cools.
- 4) Remove the package of accessories, and check the contents:

a) Installation Kit	
Inlet Hose	1
Outlet Hose	1
3/4-3/4 Nipple	1
Elbow	1
b) Scoop	1
c) Adjustable Leg	6
- 5) Remove shipping tape holding the Bin Control Switch by opening the Bin Door and reaching in (see Fig. 2).

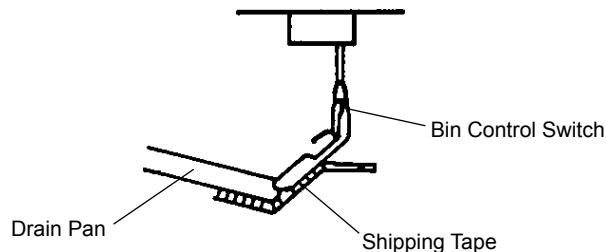


Fig. 2

2. LOCATION

IMPORTANT

1. This icemaker is not intended for outdoor use. Normal operating ambient temperature should be within 1°C to 40°C. Normal operating water temperature should be within 5°C to 35°C. Operation of the icemaker, for extended periods, outside of these normal temperature ranges may affect production capacity.
2. The icemaker should not be located next to ovens, grills or other high heat producing equipment.
3. The location should provide a firm and level foundation for the equipment at normal counter top height.
4. Allow 15 cm clearance at rear, sides and top for proper air circulation and ease of maintenance and/or service should they be required.
5. This appliance is not suitable for installation in an area where a water jet could be used and where dripping is not allowed.
6. Do not place anything on top of the icemaker or in front of the Louver.
7. This icemaker will not work at subfreezing temperatures. To prevent damage to the water supply line, drain the icemaker when air temperature is below zero (see "II. 2. PREPARING THE ICEMAKER FOR LONG STORAGE").

3. INSTALLATION

- * Incorrect installation can cause harm to people, animals or things, for which the manufacturer cannot be held responsible.
- * Place the icemaker in the selected permanent site.

4. ELECTRICAL CONNECTIONS

WARNING

THIS APPLIANCE MUST BE EARTHED

This icemaker requires an earth that meets the national and local electrical code requirements. To prevent possible severe electrical shock to individuals or extensive damage to equipment, install a proper earth wire to the icemaker. Remove the plug from the mains socket before any maintenance, repairs or cleaning is undertaken.

- * This icemaker must have a separate power supply or receptacle of 220 - 240V.
- * The main control box fuse is rated at 5A and should only be replaced by a qualified service engineer.
- * Usually an electrical permit and services of a licensed electrician are required.
- * If the supply cord and the plug should need to be replaced, it should only be done by a qualified service engineer.

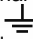
ENGLISH

For the U.K. and the Republic of Ireland only

* The wires in the mains lead are coloured in accordance with the following code:

Green & Yellow = Earth
 Blue = Neutral
 Brown = Live

As the colours of the wire in the mains lead of this appliance may not correspond with the coloured markings identifying the terminals in your plug, proceed as follows:

The wire which is coloured Green-and-Yellow must be connected to the terminal in the plug which is marked with the letter E or by the symbol  or coloured Green or Green-and-Yellow. The wire which is coloured Blue must be connected to the terminal which is marked with the letter N or coloured Black. The wire which is coloured Brown must be connected to the terminal which is marked with the letter L or coloured Red.

* Should the socket outlets in the installation site not be suitable for the plug supplied with your product, the plug must be removed (cut off if it is moulded on plug) and an appropriate plug fitted.

If the non-rewirable plug has been cut from the power supply cord, it must be disposed of. There should be no attempt to reuse it. Inserting such a plug into a socket elsewhere presents a serious risk of electrical shock.

* The non-rewirable plug must never be used without a fuse cover being fitted.

The correct replacement for the detachable fuse cover is identifiable from the manufacturer's reference number stamped on the plug.

Supply of replacement fuse covers can be obtained from Hoshizaki Parts/Service Centres.

Fuses should be rated at 10A and approved to BS 1362.

5. WATER SUPPLY AND DRAIN CONNECTIONS

(For the U.K. only, the connections must be in accordance with current requirements of the Model Water Byelaws 1986 SI No. 1147)

- * Only potable water should be used for this icemaker.
- * Water supply pressure should be minimum 0.5 bar and maximum 8 bar. If the pressure exceeds 8 bar, use a pressure reducing valve. Do **NOT** throttle back the supply tap.
- * A plumbing permit and services of a licensed plumber may be required in some areas.
- * Water should drain into an open trap.
- * The icemaker drain is gravity flow, so ensure drain pipe has an adequate pitch or fall.
- * To prevent a backflow into the Storage Bin, the outlet hose must be laid as shown in Fig. 3.

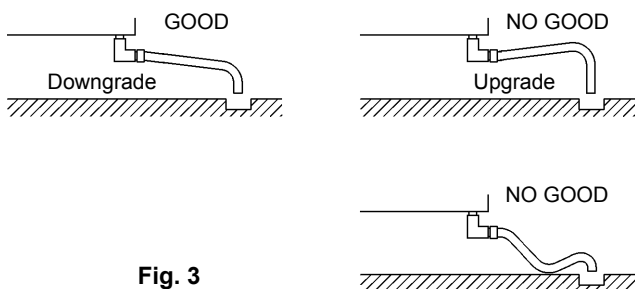


Fig. 3

- 1) Attach the angled end of white flexible inlet hose (accessory) onto the G3/4 fitting on the rear of the icemaker as indicated (Fig. 4), ensuring rubber sealing washer is correctly positioned. Hand tighten sufficiently to provide leak free joint.
- 2) Attach the other end of inlet hose to the water tap (Fig. 5), noting washer is correctly positioned before hand tightening as above. It is a wise precaution to have a stop valve within easy reach.
- 3) Connect the 3/4-3/4 nipple (accessory) to the elbow (accessory) as indicated (Fig. 6). P.T.F.E. tape and/or a suitable sealing compound should be used to obtain a leak free joint.
- 4) Tighten the 3/4-3/4 nipple and elbow onto the Rc3/4 fitting on the bottom of the icemaker as indicated (Fig. 4). P.T.F.E. tape and/or a suitable sealing compound should be used to obtain a leak free joint.
- 5) Use a pipe jointing compound (for PVC) to joint the outlet hose with PVC pipe (accessory) to the elbow as indicated (Fig. 7). The pipe can be cut to length as necessary to suit position of main drain.

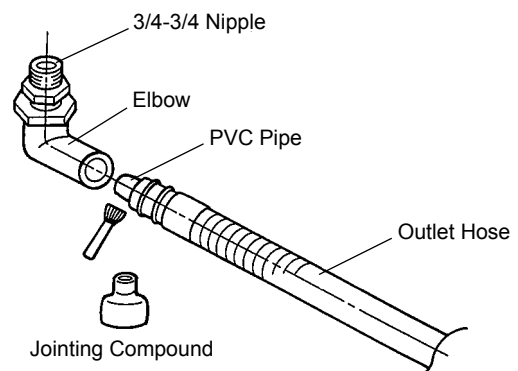
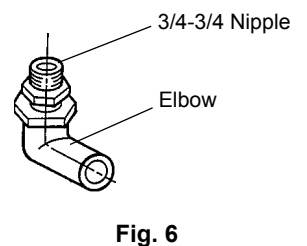
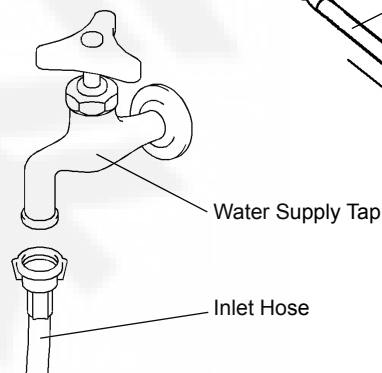
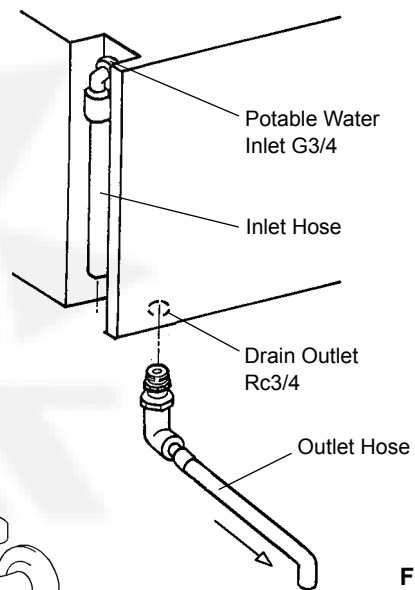


Fig. 7

II. OPERATING INSTRUCTIONS

WARNING

1. This icemaker is designed to produce and store edible ice. To keep the icemaker hygienic:
 - * Wash your hands before removing ice. Use the Plastic Scoop provided (accessory).
 - * The Storage Bin is for ice use only. Do not store anything else in the Bin.
 - * Clean the Storage Bin before use (see "III. 1. CLEANING").
 - * Keep the Scoop clean. Clean it by using a neutral cleaner and rinse thoroughly.
 - * Close the Door after removing ice to prevent entrance of dirt, dust or insects into the Storage Bin.
2. The use of any electrical equipment involves the observance of some fundamental rules. In particular:
 - * Instances of high humidity and moisture increase the risk of electrical short circuits and potential electrical shocks. If in doubt, disconnect the icemaker.
 - * Do not pull the power cord in order to disconnect the icemaker from the feed network.
 - * This appliance is not suitable for unsupervised use by young children or aged or infirm persons.
3. All parts are factory-adjusted. Improper adjustments may result in failure.
4. If the unit is turned off, wait for at least 3 minutes before restarting the icemaker to prevent damage to the Compressor.

1. OPERATION

The installer will normally commission the icemaker to start the automatic icemaking process. To ensure continuous operation, make sure that:

- * The water supply tap is on, and
- * The icemaker is plugged into the power supply.

2. PREPARING THE ICEMAKER FOR LONG STORAGE

- 1) Unplug the icemaker or disconnect the power supply.
- 2) Close the water supply tap, and remove the Inlet Hose.
- 3) Remove all ice from the Storage Bin, and clean the Bin.
- 4) Ask for draining of the icemaker by professional qualified personnel.

III. MAINTENANCE

1. CLEANING

WARNING

1. Before carrying out any cleaning or maintenance operations, unplug the icemaker from the electrical supply network.
2. Ask a trained service person to clean and sanitize the icemaker water system at least twice a year and to check and clean the Condenser at least once a year.
3. This appliance must not be cleaned by use of a water jet.

[1] Exterior

Wipe the exterior at least once per week with a clean, soft cloth. Use a damp cloth containing a neutral cleaner to wipe off grease or dirt.

[2] Scoop and Storage Bin Handle Cleaning/Sanitisation (Daily)

- 1) Either mix 3 litres of water with 11 ml of 5.25% sodium hypochlorite solution in a suitable container, or the recommended Hoshizaki sanitiser as directed.

- 2) Soak the Scoop in the solution for more than 3 minutes. Rinse thoroughly, and shake to remove surplus liquid.

Note: Using a cloth to dry may re-contaminate.

- 3) Use a neutral cleaner to wash the Storage Bin Handle. Rinse thoroughly.
- 4) Soak a clean cloth with the sanitising solution, and wipe the Handle. Use fresh water and a clean cloth to rinse/dry.

[3] Storage Bin Interior Cleaning/Sanitisation (Weekly)

- 1) Open the Storage Bin Door, and remove all ice.
- 2) Wash the Bin liner with a neutral non-abrasive cleaner. Rinse thoroughly.
- 3) Soak a clean cloth with the neutral cleaner, and wipe both sides of the Slope and the Door inner surface. Wipe off the cleaner with a clean damp cloth.
- 4) Either mix 3 litres of water with 11 ml of 5.25% sodium hypochlorite solution in a suitable container or the recommended Hoshizaki sanitiser as directed.
- 5) Soak a clean sponge or cloth with the solution, and wipe the Bin liner, Bin Door and Slope.
- 6) Rinse thoroughly with fresh water and a clean cloth to wipe off the solution. Close the Bin Door.

Note: Some solutions may cause damage to the Bin liner surfaces or corrosion on the metal parts. Always rinse the sanitiser unless directed otherwise by Hoshizaki guidelines.

[4] Air Filter

A plastic mesh Air Filter removes dirt or dust from the air, and keeps the Condenser from getting clogged. As the Filter gets clogged, the icemaker's performance will be reduced. Remove and clean the Air Filter at least twice per month:

- 1) Remove the Front Panel (C).
 - Note: Do not put your hand inside the machine compartment.
- 2) Remove the Air Filter.
- 3) Clean the Air Filter by using a vacuum cleaner. When severely clogged, use warm water and a neutral cleaner to wash the Air Filter.
- 4) Rinse and dry the Air Filter thoroughly, and place it in position.

[5] Icemaking Water System

To keep the icemaker hygienic, periodic cleaning of the icemaking water system is recommended. Always ask a trained service person to clean the water system.

- Note:
1. The Washing Switch on the side of the Control Box is intended for use by service personnel only.
 2. During normal icemaking operation, keep the Washing Switch in the "ICE" position.

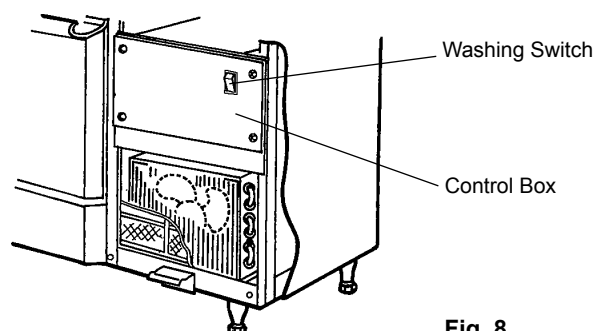


Fig. 8

2. BEFORE CALLING A SERVICE AGENT

If the icemaker does not work properly or does not work at all, before calling for service, check that:

- * The power is supplied to the unit.
- * The water is turned on.
- * The Air Filter is clean.

For further assistance or advice, contact your local Hoshizaki service agent.

This product includes a hermetically sealed refrigeration system that contains fluorinated greenhouse gases covered by the Kyoto Protocol:
IM-100CLE R134a / GWP 1300 / 0.29kg

3. WARRANTY

Hoshizaki warrants to the original owner/user that all Hoshizaki branded products shall be free of defects in material and/or workmanship for the duration of the "warranty period". The warranty shall be effective for two years from the date of installation.

Hoshizaki's liability under the terms of the warranty are limited and shall exclude routine servicing, cleaning, essential maintenance and/or repairs occasioned by misuse and installations not in accordance with Hoshizaki guidelines.

Warranty repairs should be completed by an approved Hoshizaki dealer or service agency using genuine Hoshizaki components.

To obtain full details of your warranty and approved service agency, please contact your dealer/supplier, or the nearest Hoshizaki Service office:

Europe

U.K./Ireland - Hoshizaki UK
TEL: +44 (0)845 456 0585
FAX: +44 (0)1462 499080

Holland - Hoshizaki Europe
TEL: +31 (0)20 6918499
FAX: +31 (0)20 6918768

Belgium/Luxemburg - Hoshizaki Belgium
TEL: +32 (0)2 7123030
FAX: +32 (0)2 7123031

Germany/Switzerland/Austria - Hoshizaki Deutschland
TEL: +49 (0)2154 92810
FAX: +49 (0)2154 928128

France - Hoshizaki France
TEL: +33 (0)1 48639380
FAX: +33 (0)1 48639388

Spain/Portugal - Hoshizaki Iberia
TEL: +34 (0)93 4780952
FAX: +34 (0)93 4780900

Other countries - Hoshizaki Europe
TEL: +31 (0)20 6918499 or +44 (0)845 456 0585
FAX: +31 (0)20 6918768 or +44 (0)1462 499080

Other than Europe

Hoshizaki Singapore
TEL: +65 6225 2612
FAX: +65 6225 3219

Hoshizaki Lancer Pacific
TEL: +61 8 8268 1388
FAX: +61 8 8268 1978

Hoshizaki Suzhou
TEL: +86 512 62807850
FAX: +86 512 62807860

EC DECLARATION OF CONFORMITY

Manufacturer: Hoshizaki Europe Ltd.

Address: Unit A, Stafford Park 18, Telford,
Shropshire TF3 3DJ England

We hereby declare that the machine(s) listed below and manufactured by us meet the essential health and safety requirements demanded by the following EC regulations:

EC Regulations: EMC Directive (89/336/EEC, 92/31/EC, 93/68/EEC,
2004/108/EC)
Low Voltage Directive (2006/95/EC)

Harmonised European Standards applied:

- EN 55014-1 (EMC)
- EN 55014-2 (EMC)
- EN 61000-3-2 (EMC)
- EN 61000-3-3 (EMC)
- EN 61000-4-2 (EMC)
- EN 61000-4-3 (EMC)
- EN 61000-4-4 (EMC)
- EN 61000-4-5 (EMC)
- EN 61000-4-6 (EMC)
- EN 61000-4-11 (EMC)
- EN 60335-1 (LVD)
- EN 60335-2-24 (LVD)
- EN 50366 (EMF)

CE Marking first affixed: 2005

Product Description: Hoshizaki Ice Maker

Model(s): IM-100CLE

Name: Akira Kamiya

Position: Managing Director

This declaration will no longer be valid if any alterations are made to the machine(s) without our approval.

IMPORTANT

1. Cette notice fait partie intégrante du produit et en constitue un élément indispensable. Il faut la conserver. Veuillez lire attentivement les directives et les mises en garde de cette notice car il s'agit d'informations essentielles pour bien installer le produit, pour l'utiliser continuellement en toute sécurité et pour assurer son bon entretien. Veuillez conserver cette notice pour toute consultation ultérieure.
2. Le produit décrit ici est une machine à glace commerciale. Elle doit être exclusivement utilisée aux fins pour lesquelles elle a été conçue. Tout autre usage est jugé impropre et donc dangereux. Le fabricant ne pourra être tenu responsable de dégâts causés par un usage impropre, incorrect ou irréfléchi.

I. CONSIGNES D'INSTALLATION

AVERTISSEMENT

L'installation doit être effectuée par du personnel qualifié, en respectant les réglementations en vigueur et en suivant les consignes du fabricant.

1. DEBALLAGE

AVERTISSEMENT

Les enfants doivent être tenus à l'écart de tous les éléments d'emballage (sacs en plastique et polystyrène expansé) car ce sont des éléments potentiellement dangereux.

PRECAUTION

Enlevez le carton d'emballage, le(s) ruban(s) et les matériaux d'emballage. S'il reste des matériaux d'emballage dans le distributeur, celui-ci ne fonctionnera pas correctement.

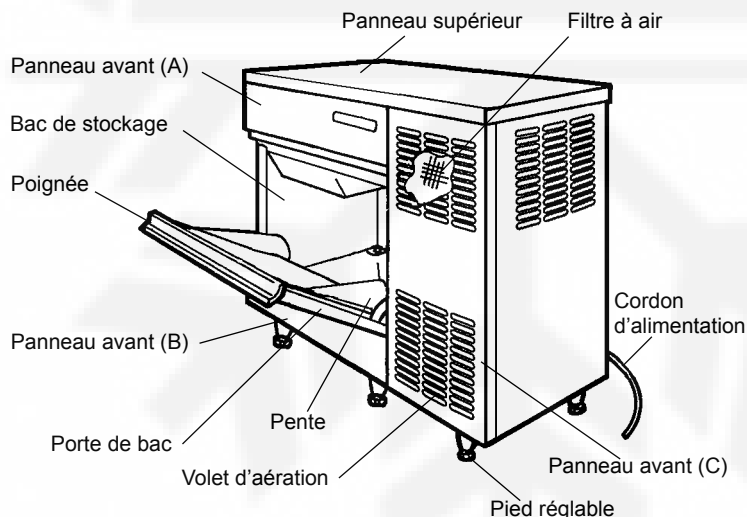


Fig. 1

- 1) Après avoir enlevé les matériaux d'emballage, vérifiez que le distributeur de glaçons est en bon état. En cas de doute, n'utilisez pas l'appareil mais adressez-vous à un professionnel.
- 2) Enlevez les rubans d'emballage qui maintiennent la porte et le panneau avant.
- 3) Enlevez le film protecteur en plastique recouvrant les panneaux. Si le distributeur de glaçons est exposé au soleil ou à la chaleur, enlevez le film après que le distributeur se soit refroidi.
- 4) Enlevez les rubans d'emballage qui maintiennent le paquet d'accessoires, et contrôlez le contenu :

a) Kit d'installation	
Tuyau d'arrivée	1
Tuyau de sortie	1
Mamelon 3/4-3/4	1
Coude	1
b) Pelle	1
c) Pied réglable	6

- 5) Ouvrez la porte du bac de stockage pour enlever les rubans d'emballage qui maintiennent le commutateur de contrôle du bac (Fig. 2).

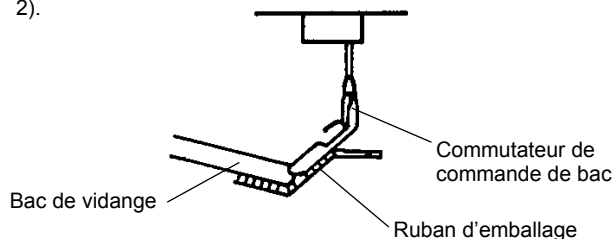


Fig. 2

2. EMBLACEMENT

IMPORTANT

1. Ce distributeur de glaçons n'est pas conçu pour être utilisé à l'extérieur. La température ambiante normale de service doit être comprise entre 1°C et 40°C. La température normale de service de l'eau doit être comprise entre 5°C et 35°C. Le fonctionnement du distributeur de glaçons en dehors de ces températures pendant des durées prolongées, risque d'influer sur les performances du distributeur.
2. Le distributeur de glaçons ne doit pas être placé à proximité de fours, de grills, ou de tout autre source de chaleur importante.
3. L'assise du distributeur doit être solide et horizontale.
4. Pour assurer une bonne circulation d'air et faciliter les opérations d'entretien ou de révision en cas de besoin, maintenez une garde de 15 cm à l'arrière, sur la partie supérieure et sur les côtés du distributeur.
5. Cet appareil ne doit pas être monté dans un local où l'on peut utiliser un jet d'eau ou dans lequel l'égouttage est prohibé.
6. Ne mettez rien sur le distributeur de glaçons ni devant le volet d'aération.
7. Cet appareil ne fonctionne pas à des températures inférieures à zéro. Afin d'éviter que les conduites d'eau ne s'abiment, vidangez l'appareil dès que la température de l'air tombe au-dessous de zéro (voir "II. 2. PREPARATION DU DISTRIBUTEUR DE GLAÇONS EN VUE DE SON STOCKAGE PROLONGÉ").

3. INSTALLATION

- * Une mauvaise installation du distributeur peut avoir des conséquences néfastes sur les personnes, les animaux ou les choses, pour lesquelles le fabricant ne pourra être tenu responsable.
- * Placez le distributeur de glaçons à l'emplacement désiré.

4. BRANCHEMENTS ELECTRIQUES

AVERTISSEMENT

CET APPAREIL DOIT ETRE MIS A LA TERRE

Le distributeur de glaçons doit avoir une terre qui respecte les réglementations électriques nationales et locales. Pour éviter tout risque d'électrocution grave ou de détérioration importante du matériel, reliez au distributeur un fil de terre adéquat. Avant d'entreprendre n'importe quelle opération d'entretien, de réparation ou de nettoyage, débranchez le cordon d'alimentation du secteur.

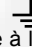
- * Ce distributeur doit être alimenté séparément en 220 - 240 V.

- * Le fusible du boîtier de commande principal est calibré à 5A. Son remplacement doit être effectué par un technicien d'entretien qualifié.

- * Il faut généralement obtenir une autorisation pour effectuer l'installation électrique et recourir aux services d'un électricien qualifié.
- * Le remplacement du cordon d'alimentation et de la prise ne doit être effectué que par un électricien qualifié.
- * Le codage couleur des fils du cordon d'alimentation est le suivant :

Vert et jaune = Terre
 Bleu = Neutre
 Marron = Tension

Comme il est possible que le codage couleur des fils du cordon d'alimentation ne corresponde pas au repérage des bornes sur votre fiche, effectuez le raccordement électrique comme suit :

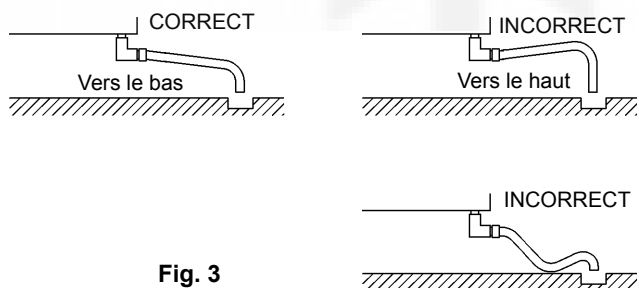
Le fil vert-et-jaune doit être relié à la borne de la fiche repérée par la lettre E ou par le symbole , ou codée en vert ou vert-et-jaune. Le fil bleu doit être relié à la borne repérée par la lettre N ou la couleur noire. Le fil marron doit être relié à la borne repérée par la lettre L ou la couleur rouge.

- * Si la fiche livrée avec le distributeur ne convient pas à la prise du site d'installation, il faut l'enlever (la couper s'il s'agit d'une fiche moulée) et en monter une autre.

Si la fiche non recâblable a été coupée du cordon d'alimentation, il faut la jeter. En aucun cas, elle ne doit être réutilisée. L'introduction d'une telle fiche dans une autre prise comporte un grave risque d'électrocution.

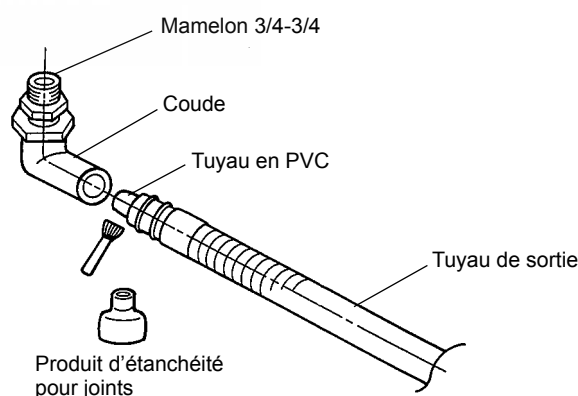
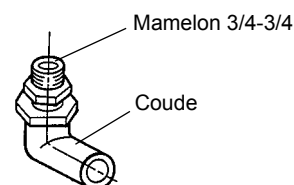
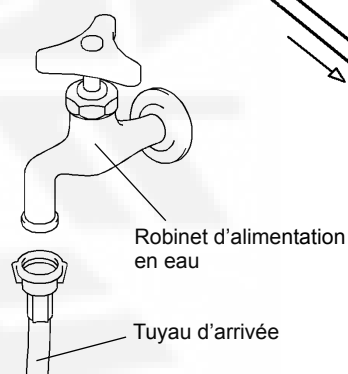
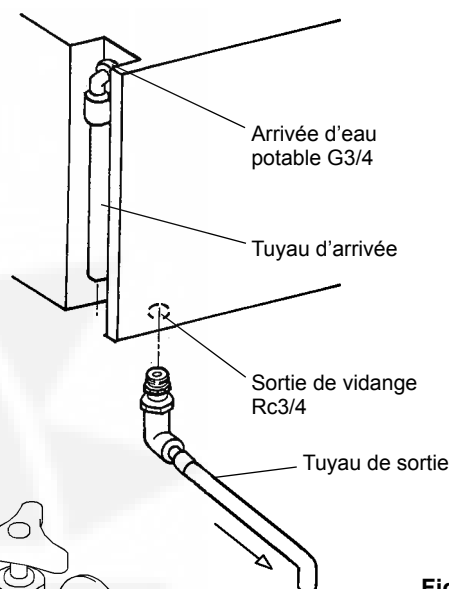
5. BRANCHEMENTS DE L'ARRIVÉE ET DE LA VIDANGE D'EAU

- * Ce distributeur de glaçons ne doit utiliser que de l'eau potable.
- * La pression de l'arrivée d'eau doit être comprise entre 0,5 bar et 8 bar. Si la pression dépasse 8 bar, utilisez un réducteur de pression. Ne **REDUISEZ PAS** l'ouverture du robinet d'alimentation.
- * Il se peut que dans certaines régions, il faille obtenir une autorisation pour effectuer les travaux de plomberie et recourir aux services d'un plombier qualifié.
- * L'eau doit être évacuée vers un bac ouvert.
- * La vidange d'eau du distributeur de glaçons se fait par écoulement gravitaire si bien que vous devez vous assurer que la hauteur de chute est suffisante.
- * Le tuyau de vidange d'eau doit être placé selon la Fig. 3 pour éviter tout retour d'eau dans le bac de stockage.



- 1) Raccordez l'extrémité coudée du tuyau flexible blanc d'arrivée d'eau (accessoire) au raccord G3/4 à l'arrière du distributeur de glaçons (Fig. 4) en vous assurant que la rondelle d'étanchéité en caoutchouc est bien placée. Serrez bien à la main pour assurer un joint étanche.
- 2) Raccordez l'autre extrémité du tuyau d'arrivée au robinet d'alimentation d'eau (Fig. 5), en vérifiant que la rondelle est bien placée avant de serrer le joint à la main. Il est recommandé de prévoir une soupape d'arrêt.

- 3) Raccorder le mamelon 3/4-3/4 (accessoire) au coude (accessoire) comme indiqué (Fig. 6). Utiliser du ruban PTFE et/ou du mastic d'étanchéité adéquat pour former un joint étanche.
- 4) Serrer le mamelon 3/4-3/4 et le coude sur le raccord Rc3/4 au bas de la machine à glace comme indiqué (Fig. 4). Utiliser du ruban PTFE et/ou du mastic d'étanchéité adéquat pour former un joint étanche.
- 5) Utiliser un produit d'étanchéité pour joints (PVC) pour raccorder le tuyau de sortie avec le tuyau en PVC (accessoire) au coude comme indiqué (Fig. 7). Le tuyau peut être coupé à la longueur voulue en fonction de la position de vidange principale.



II. CONSIGNES D'UTILISATION

AVERTISSEMENT

1. Le distributeur de glaçons est conçu pour produire et stocker de la glace alimentaire. Pour le maintenir dans un parfait état d'hygiène :
 - * Lavez-vous les mains avant d'enlever la glace. Utilisez la pelle en plastique prévue (accessoire).
 - * Le bac de stockage ne doit servir que pour la glace, n'entreposez que de la glace dedans.
 - * Nettoyez le bac de stockage avant de l'utiliser ("III. 1. NETTOYAGE").
 - * Veillez à la propreté de la pelle. Nettoyez-la en utilisant un produit nettoyant neutre et rincez-la bien.
 - * Fermez la porte dès que vous avez retiré de la glace pour éviter que des saletés, de la poussière ou des insectes ne puissent s'introduire dans le bac de stockage.
2. L'utilisation de tout appareil électrique implique le respect de certaines règles fondamentales. En particulier :
 - * Les cas de forte humidité augmentent le risque de courts-circuits électriques et d'électrocutions. En cas de doute, débranchez le distributeur.
 - * Ne débranchez pas le distributeur du secteur en tirant sur le cordon d'alimentation.
 - * Cet appareil ne doit pas être utilisé sans surveillance par des jeunes enfants ni par des personnes âgées ou infirmes.
3. Toutes les pièces sont réglées en usine. Tout mauvais réglage risque de provoquer une panne.
4. Si l'appareil est débranché, attendez au moins 3 minutes avant de remettre le distributeur de glaçons en route pour éviter toute détérioration du compresseur.

1. MISE EN MARCHE

L'installateur met normalement en service le distributeur de glaçons pour assurer le processus automatique et continu de fabrication de glace. Afin de vous assurer qu'il marche continuellement :

- * Ouvrez le robinet d'eau.
- * Branchez le distributeur de glaçons sur l'alimentation électrique.

2. PREPARATION DU DISTRIBUTEUR DE GLAÇONS EN VUE DE SON STOCKAGE PROLONGE

- 1) Retirez la prise du distributeur ou débranchez l'alimentation électrique.
- 2) Refermez le robinet d'eau et débranchez le tuyau d'arrivée d'eau.
- 3) Videz toute la glace du bac de stockage et nettoyez-le.
- 4) La vidange du distributeur de glaçons doit être effectuée par un technicien spécialisé.

III. ENTRETIEN

1. NETTOYAGE

AVERTISSEMENT

1. Avant d'entreprendre toute opération de nettoyage ou d'entretien, débranchez le distributeur de glaçons de son alimentation électrique.
2. Faites appel à un technicien spécialisé aux moins deux fois par an pour nettoyer le circuit d'eau et le désinfecter, et au moins un fois par an pour nettoyer le condenseur.
3. Cet appareil ne doit pas être nettoyé par aspersion d'eau.

[1] Extérieur

Essayez l'extérieur au moins une fois par semaine en utilisant un

chiffon doux et propre. Pour éliminer les traces de graisse ou de saletés, utilisez un chiffon humide imbibé d'un produit nettoyant neutre.

[2] Entretien/désinfection de la pelle et de la poignée du bac de stockage (journallement)

- 1) Mélangez 3 litres d'eau avec 11 ml d'une solution renfermant 5,25 % d'hypochlorite de sodium ou utilisez le désinfectant recommandé par Hoshizaki.
- 2) Laissez tremper la pelle dans la solution plus de 3 minutes. Rincez-la à fond puis agitez-la pour enlever le surplus de liquide.

Remarque : L'utilisation d'un chiffon sec pour la sécher risque de la recontaminer.
- 3) Utilisez un produit neutre pour nettoyer la poignée du bac de stockage puis rincez-la à fond.
- 4) Faites tremper un chiffon propre dans la solution et essuyez la poignée. Servez-vous ensuite d'eau et d'un chiffon propre pour la rincer/sécher.

[3] Nettoyage/désinfection de l'intérieur du bac de stockage (hebdomadairement)

- 1) Ouvrez la porte du bac de stockage et retirez toute la glace.
- 2) Nettoyez le revêtement du bac à l'aide d'un produit neutre et non-abrasif puis rincez à fond.
- 3) Faites tremper un chiffon propre dans du produit neutre et essuyez les deux côtés de la pente et de la surface intérieure de la porte. Utilisez un chiffon propre et humide pour enlever le produit de nettoyage.

- 4) Mélangez 3 litres d'eau avec 11 ml d'une solution renfermant 5,25 % d'hypochlorite de sodium ou utilisez le désinfectant recommandé par Hoshizaki.

- 5) Imbibez une éponge ou un chiffon propre de la solution et essuyez le revêtement du bac, la porte et pente.
- 6) Rincez à fond avec de l'eau propre et enlevez le reste de la solution avec un chiffon avant de refermer la porte du bac.

Remarque : Certaines solutions risquent d'endommager les surfaces de revêtement du bac ou de rouiller les pièces métalliques. Il faut toujours rincer à fond le produit désinfectant pour l'enlever à moins qu'indiqué différemment par Hoshizaki.

[4] Filtre à air

Le tamis en plastique du filtre à air retient les particules de poussières et les saletés de l'air et empêchent le colmatage du condenseur. Au fur et à mesure du colmatage du filtre, les performances du distributeur de glaçons se dégradent. Déposer et nettoyer le filtre à air au moins deux fois par mois :

- 1) Retirez le Panneau avant (C).

Remarque : Ne mettez pas les mains à l'intérieur de l'appareil.

- 2) Retirez le filtre à air.
- 3) Utilisez un aspirateur pour nettoyer le filtre. En cas de colmatage important, lavez le filtre avec une solution d'eau chaude et de produit nettoyant neutre.
- 4) Rincez le filtre et séchez-le complètement avant de le reposer.

[5] Circuit d'eau de fabrication de glace

Il est recommandé de nettoyer régulièrement le circuit d'eau du distributeur de glaçons afin qu'il reste propre. Il faut toujours demander à un technicien d'effectuer cet entretien.

- Remarque : 1. Le bouchon de nettoyage, situé sur le côté du boîtier de commande, ne doit être utilisé que par du personnel compétent.
2. Lors du processus de fabrication de glace, le bouchon de nettoyage doit se trouver sur "GLACE".

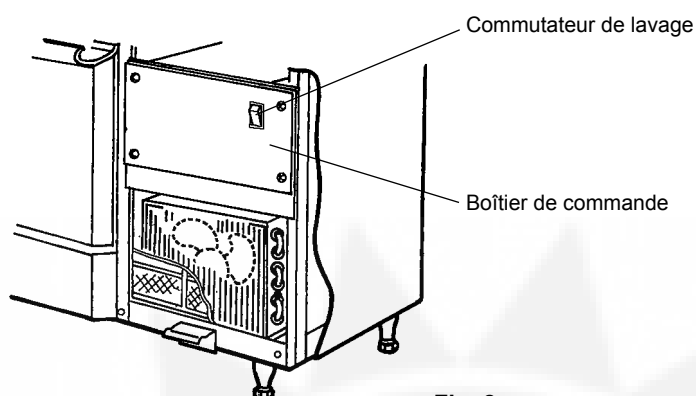


Fig. 8

2. CONTROLES A EFFECTUER AVANT D'APPELER UN TECHNICIEN

Si le distributeur de glaçons ne fonctionne pas correctement, voire ne fonctionne pas du tout, vérifiez les points suivants avant d'appeler un technicien :

- * L'appareil est alimenté en courant électrique.
- * L'alimentation en eau n'est pas coupée.
- * Le filtre à air est propre.

Pour tout renseignement ou conseil, adressez-vous au représentant Hoshizaki de votre localité.

3. GARANTIE

Hoshizaki garantit au propriétaire/à l'utilisateur d'origine que tous les produits portant la marque Hoshizaki seront exempts de tout défaut et/ou vice de fabrication au cours de la « période de garantie ». La garantie est valable deux ans à compter de la date d'installation.

La responsabilité de Hoshizaki aux termes de la garantie est limitée et exclut les interventions d'entretien de routine, de nettoyage, de maintenance essentielle et/ou les réparations découlant d'une utilisation abusive et d'installations non conformes aux directives de Hoshizaki.

Les réparations effectuées au titre de la garantie doivent être effectuées par un revendeur ou un réparateur agréé Hoshizaki utilisant des composants Hoshizaki d'origine.

Pour tout renseignement sur votre garantie et les réparateurs agréés, contacter le distributeur/fournisseur local ou le centre Hoshizaki le plus proche :

Europe

Royaume-Uni/Irlande - Hoshizaki UK
 TEL: +44 (0)845 456 0585
 FAX: +44 (0)1462 499080

Pays-Bas - Hoshizaki Europe
 TEL: +31 (0)20 6918499
 FAX: +31 (0)20 6918768

Belgique/Luxembourg - Hoshizaki Belgium
 TEL: +32 (0)2 7123030
 FAX: +32 (0)2 7123031

Allemagne/Suisse/Autriche - Hoshizaki Deutschland
 TEL: +49 (0)2154 92810
 FAX: +49 (0)2154 928128

France - Hoshizaki France
 TEL: +33 (0)1 48639380
 FAX: +33 (0)1 48639388

Espagne/Portugal - Hoshizaki Iberia
 TEL: +34 (0)93 4780952
 FAX: +34 (0)93 4780900

Autres pays - Hoshizaki Europe
 TEL: +31 (0)20 6918499 ou +44 (0)845 456 0585
 FAX: +31 (0)20 6918768 ou +44 (0)1462 499080

Hors Europe

Hoshizaki Singapour
 TEL: +65 6225 2612
 FAX: +65 6225 3219

Hoshizaki Lancer Pacific
 TEL: +61 8 8268 1388
 FAX: +61 8 8268 1978

Hoshizaki Suzhou
 TEL: +86 512 62807850
 FAX: +86 512 62807860

Ce produit comprend un système de réfrigération scellé hermétiquement qui contient des gaz fluorés à effet de serre visés par le Protocole de Kyoto :
IM-100CLE R134a / GWP 1300 / 0.29kg

DECLARATION DE CONFORMITE EUROPEENNE

Fabricant: Hoshizaki Europe Ltd.

Adresse: Unit A, Stafford Park 18, Telford,
Shropshire TF3 3DJ England

Nous déclarons par la présente que la (les) machine(s) énumérée(s) ci-après et fabriquée(s) par nos soins respecte(nt) les prescriptions nécessaires en matière d'hygiène et de sécurité imposées par les réglementations suivantes de la Communauté Européenne:

Réglementations CE : Directive EMC (89/336/EEC, 92/31/EC, 93/68/EEC, 2004/108/EC)
Directive « basse tension » (2006/95/EC)

Normes européennes harmonisées appliquées :

- EN 55014-1 (EMC)
- EN 55014-2 (EMC)
- EN 61000-3-2 (EMC)
- EN 61000-3-3 (EMC)
- EN 61000-4-2 (EMC)
- EN 61000-4-3 (EMC)
- EN 61000-4-4 (EMC)
- EN 61000-4-5 (EMC)
- EN 61000-4-6 (EMC)
- EN 61000-4-11 (EMC)
- EN 60335-1 (LVD)
- EN 60335-2-24 (LVD)
- EN 50366 (EMF)

Label CE apposé pour la première fois: 2005

Description du produit: Machine à glace Hoshizaki

Modèle(s): IM-100CLE

Nom : Akira Kamiya

Titre : Directeur général

Cette déclaration cessera d'être valide si une modification quelconque est apportée à la (les) machine(s) sans notre autorisation préalable.

WICHTIG

1. Dieses Heft ist ein integraler und wesentlicher Bestandteil des Gerätes und sollte daher sicher aufbewahrt werden. Bitte lesen und beachten Sie alle hier aufgeführten Anweisungen und Warnhinweise, denn sie enthalten wichtige Informationen zur ordnungsgemäßen Installation und fortwährendem Sicherheit und Pflege dieses Produkts. Bitte bewahren Sie dieses Heft für sorgfältig auf, damit Sie auch später darin nachschlagen können.
2. Dieser gewerbliche Eisbereiter darf nur für seinen vorgesehenen Verwendungszweck eingesetzt werden. Eine Verwendung, die nicht dem vorgesehenen Zweck entspricht, ist mißbräuchlich und kann eine Gefahr darstellen. Der Hersteller übernimmt keinerlei Haftung für Schäden, die durch eine mißbräuchliche, unsachgemäße oder unvernünftige Verwendung entstehen.

I. INSTALLATION

ACHTUNG

Die Installation darf nur durch ausgebildetes Fachpersonal entsprechend sämtlicher relevanten Bestimmungen und Herstelleranweisungen erfolgen.

1. AUSPACKEN

ACHTUNG

Kinder sind von allen Teilen der Verpackung (Plastikbeutel und Schaumstoff-Füllmaterial) fernzuhalten, da diese eine Gefahr darstellen.

VORSICHT

Bitte den Verpackungskarton, Klebeband und anderes Verpackungsmaterial sorgfältig entfernen. Im Gerät verbleibendes Verpackungsmaterial beeinträchtigt die ordnungsgemäße Funktion.

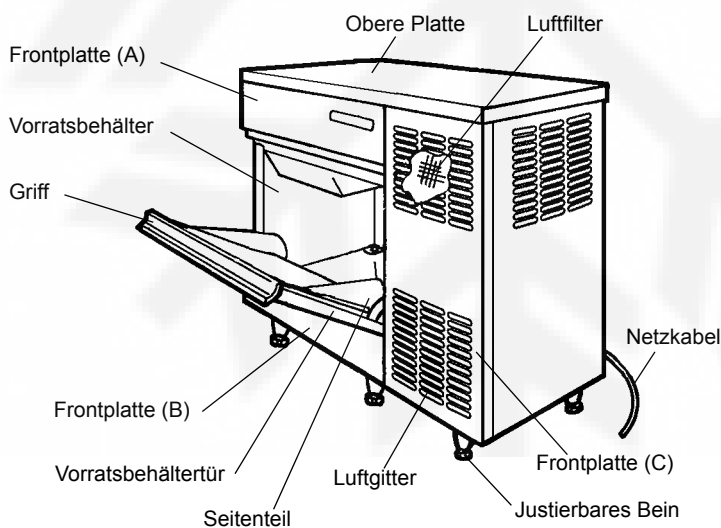


Abb. 1

- 1) Nach dem Entfernen der Verpackung den Zustand des Gerätes prüfen. Bei irgendwelchen Zweifeln hinsichtlich Funktionsfähigkeit den Eisbereiter nicht benutzen, sondern bitte das Fachpersonal kontaktieren.
- 2) Klebeband entfernen, welches die Tür und Frontplatte hält.
- 3) Die Schutzfolie von den Gerätewänden abziehen. Sollte der Eisbereiter Sonnenlicht oder Wärme ausgesetzt sein, die Schutzfolie erst nach dem Abkühlen des Gerätes abziehen.
- 4) Die Packung mit den Zubehörteilen öffnen und ihren Inhalt prüfen:

a) Installationsbausatz	1
Zulaufschlauch	1
Ablaufschlauch	1
3/4-3/4 Stutzen	1
Winkelstück	1

- | | |
|----------------------|---|
| b) Schaufel | 1 |
| c) Justierbares Bein | 6 |

- 5) Entfernen Sie das Klebeband vom Schalter des Vorratsbehälters, indem Sie die Vorratsbehältertür öffnen und hineingreifen (siehe Abb. 2).

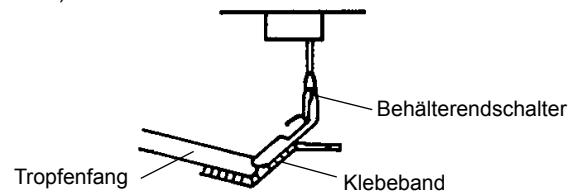


Abb. 2

2. AUFSTELLEN

WICHTIG

1. Dieser Eisbereiter ist nicht für den Betrieb im Freien vorgesehen. Die normale Betriebstemperatur sollte zwischen 1°C und 40°C und die normale Wassertemperatur zwischen 5°C und 35°C liegen. Durch den längeren Betrieb des Eisbereiters bei Temperaturen außerhalb dieser Grenzwerte kann seine Leistungsfähigkeit beeinträchtigt werden.
2. Das Gerät nicht in der Nähe von Öfen, Grillgeräten oder anderen wärmeerzeugenden Anlagen aufstellen.
3. Das Gerät auf stabilen und ebenen Untergrund in normaler Arbeitsflächenhöhe aufstellen.
4. An den Seiten hinten und oben muß ein Abstand von 15 cm eingehalten werden, um eine gute Luftzirkulation zu gewährleisten und die Pflege bzw. Wartung des Gerätes zu erleichtern.
5. Dieses Gerät eignet sich nicht für die Installation in Räumen, wo ein Wasserstrahl verwendet wird oder sich kein Tropfwasser bilden darf.
6. Keinerlei Gegenstände auf die Oberseite des Gerätes oder vor das Luftgitter stellen.
7. Der Eisbereiter funktioniert nicht bei Minustemperaturen. Um Schäden an der Wasserzufuhr vorzubeugen, sollte sämtliches Wasser aus dem Eisbereiter abgelassen werden, wenn die Lufttemperatur unter Null ist (siehe "II. 2. Langfristige Lagerung des Eisbereiters").

3. INSTALLATION

- * Durch eine unsachgemäße Installation können Verletzungen und Schäden an Menschen, Tieren und Sachen entstehen, für die der Hersteller keine Haftung übernehmen kann.
- * Stellen Sie den Eisbereiter an dem ausgewählten, permanenten Standort auf.

4. ELEKTRISCHE ANSCHLÜSSE

ACHTUNG

DIESES GERÄT MUSS GEERDET WERDEN

Dieser Eisbereiter benötigt einen Schutzkontakt, der den nationalen und lokalen Bestimmungen entspricht. Zum Schutz gegen elektrischen Schlag und/oder Maschinenschäden ist der Eisbereiter mit einem Erdleiter auszurüsten. Vor sämtlichen Wartungs-, Reparatur- oder Reinigungsarbeiten immer den Netzstecker ziehen.

- * Dieses Gerät benötigt eine separate Netzstromversorgung/ Steckdose mit einer Spannung von 220 - 240 V.
- * Die Hauptsicherung im Steuerschrank ist für eine Stromstärke von 5 Amp. ausgelegt und nur von einem autorisierten Fachtechniker auszuwechseln.

- * Normalerweise ist dies von einem Elektriker mit entsprechender Qualifikation auszuführen.
- * Das Auswechseln des Netzkabels oder Netzsteckers sollte nur von einem autorisierten Fachtechniker ausgeführt werden.
- * Die Drähte im Hauptkabel sind nach dem folgenden Farbcode gekennzeichnet:

Grün & Gelb = Erde
 Blau = Neutral
 Braun = Stromführend

Die Leiterfarben im Netzkabel dieses Geräts stimmen möglicherweise nicht mit den Farbmarkierungen im Stecker überein, daher bitte immer wie folgt vorgehen:

Der grün-gelbe Leiter wird an die Klemme angeschlossen, die mit dem Buchstaben E oder dem Symbol \perp oder gelb-grün markiert ist. Der blaue Leiter wird an die Klemme angeschlossen, die mit dem Buchstaben N oder schwarz markiert ist. Der braune Leiter wird an die Klemme angeschlossen, die mit dem Buchstaben L oder rot markiert ist.

- * Falls der mit dem Gerät gelieferte Stecker für die Netzsteckdose am Installationsort ungeeignet ist, muß er entfernt (bzw. abschneiden, wenn er verkapselt ist) und durch einen passenden Stecker ersetzt werden.

Ein abgeschnittener, verkapselter (nicht zugänglicher) Stecker muß entsorgt werden. Versuchen Sie nicht, ihn wiederzuverwenden. Durch das Einstecken eines solchen Steckers in eine Netzsteckdose setzen Sie sich der Gefahr eines elektrischen Schlags aus.

5. WASSERVERSORGUNG UND ROHRANSCHLÜSSE

- * Dieser Eisbereiter darf nur mit Trinkwasser gefüllt werden.
- * Der Versorgungswasserdruck darf den Bereich zwischen 0,5 bar und 8 bar nicht unter- bzw. überschreiten. Bei einem höheren Druck als 8 bar muß ein Druckreduzierventil verwendet werden. Die Wasserzufuhr darf NICHT gedrosselt werden.
- * In bestimmten Gebieten sind eine Installationsgenehmigung und die Dienste eines zugelassenen Installateurs erforderlich.
- * Das Wasser sollte in einen offenen Abflußkanal abfließen.
- * Der Abfluß des Wasser aus dem Eisbereiter erfolgt durch Schwerkraft, daher ist auf ein ausreichendes Gefälle der Ablaufleitung zu achten.
- * Um einen Rücklauf in den Vorratsbehälter zu verhindern muß die Ablaufleitung wie in Abb. 3 ausgelegt sein.

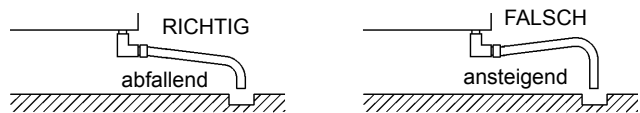
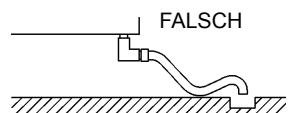


Abb. 3



- 1) Abgewinkeltes Ende des weißen, flexiblen Zulaufschlauchs (Zubehör) auf den G3/4-Anschluß am hinteren Boden des Eisbereiters aufstecken (Abb. 4). Dabei darauf achten, daß die Gummidichtung richtig liegt. Per Hand anziehen, bis die Verbindung dicht ist.
- 2) Das andere Ende des Zulaufschlauchs auf den Wasserhahn (Abb. 5) stecken, dabei wie oben darauf achten, daß die

Gummidichtung richtig liegt und fest ziehen. Vorsichtshalber sollte das Absperrventil in Reichweite sein.

- 3) Verbinden Sie den 3/4-3/4 Stutzen (Zubehör) wie gezeigt (Abb. 6) mit dem Winkelstück (Zubehör). P.T.F.E.-Band und/oder ein geeignetes Dichtmittel sind zu verwenden, um eine dichte Verbindung zu erhalten.
- 4) Ziehen Sie den 3/4-3/4 Stutzen und das Winkelstück auf dem Rc3/4-Anschluss unten am Eisbereiter wie gezeigt (Abb. 4) fest. P.T.F.E.-Band und/oder ein geeignetes Dichtmittel sind zu verwenden, um eine dichte Verbindung zu erhalten.

- 5) Verwenden Sie ein Dichtungsmittel (für PVC), um den Ablaufschlauch mit dem PVC-Schlauch (Zubehör) wie gezeigt (Abb. 7) an dem Winkelstück zu dichten. Der Schlauch läßt sich auf die richtige Länge, d. h. der Position des Hauptabflusses entsprechend, zuschneiden.

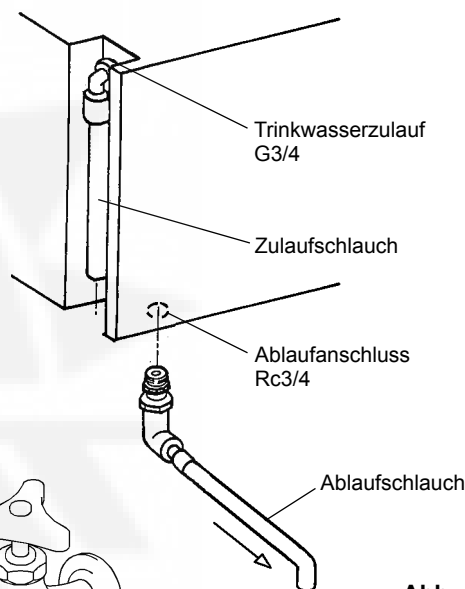


Abb. 4

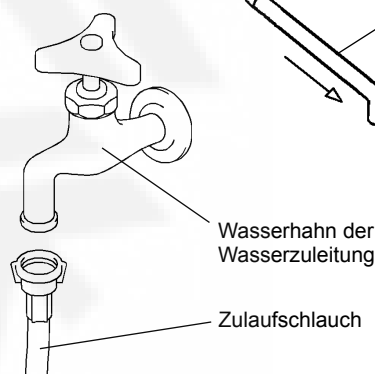


Abb. 5

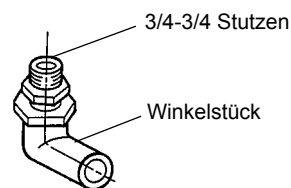


Abb. 6

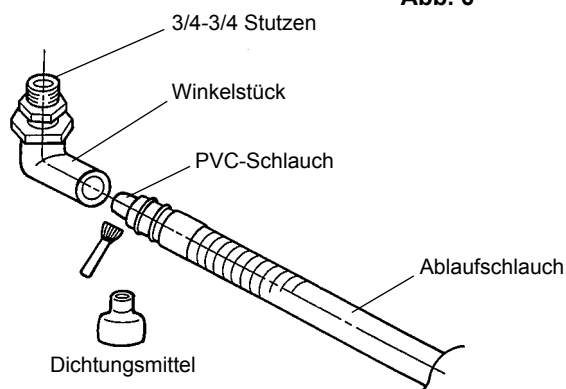


Abb. 7

II. BEDIENUNGSANLEITUNG

ACHTUNG

1. Dieser Eisbereiter ist für die Herstellung und Aufbewahrung von Trinkwassereis vorgesehen. Aus Gründen der Hygiene:
 - * bitte immer die Hände waschen, bevor Eis entnommen wird. Zum Entnehmen von Eis immer die Schaufel (Zubehör) verwenden.
 - * den Vorratsbehälter ausschließlich für Eis verwenden.
 - * den Vorratsbehälter vor der ersten Verwendung reinigen (siehe "III. 1. REINIGUNG").
 - * die Eisschaufel sauber halten. Stets ein neutrales Reinigungsmittel verwenden und gründlich nachspülen.
 - * nach der Entnahme von Eis immer die Tür schließen, um das Eindringen von Schmutz und Staub oder Ungeziefer in den Vorratsbehälter zu verhindern.
2. Wie bei allen Elektrogeräten sind stets einige grundsätzliche Vorsichtsmaßnahmen zu beachten. Insbesondere:
 - * Beim Auftreten übermäßiger Feuchtigkeit oder Nässe besteht eine Kurzschlußgefahr, wodurch ein elektrischer Schlag verursacht werden kann. Im Zweifelsfall immer den Netzstecker des Eisbereiters ziehen.
 - * Den Netzstecker nie am Kabel herausziehen.
 - * Dieses Gerät ist für die unbeaufsichtigte Verwendung durch Kinder oder gebrechliche Personen ungeeignet.
3. Alle Komponenten wurden werkseitig eingestellt. Ein unsachgemäßes Nachstellen kann die ordnungsgemäße Funktion des Eisbereiters beeinträchtigen.
4. Zur Vermeidung einer Beschädigung des Verdichters nach dem Ausschalten des Eisbereiters mindestens 3 Minuten lang warten, bevor das Gerät wieder eingeschaltet wird.

1. BETRIEB

Normalerweise wird die automatische Eisherstellung durch das Installationspersonal bei der Inbetriebnahme eingeleitet. Für den fortgesetzten Betrieb ist zu beachten, daß:

- * der Versorgungswasserhahn aufgedreht ist und
- * der Stecker an eine Netzsteckdose angeschlossen ist.

2. LANGFRISTIGE LAGERUNG DES EISBEREITERS

- 1) Den Netzstecker ziehen oder Stromversorgung abschalten.
- 2) Den Wasserhahn zudrehen und den Zulaufschlauch abtrennen.
- 3) Sämtliches Eis aus dem Vorratsbehälter entfernen und Vorratsbehälter reinigen.
- 4) Den Eisbereiter von einem Fachtechniker entleeren lassen.

III. WARTUNG

1. REINIGUNG

WARNUNG

1. Vor dem Durchführen irgendwelcher Reinigungs- oder Wartungsarbeiten immer den Netzstecker ziehen.
2. Das Wassersystem des Eisbereiters von dazu geschultem Personal mindestens zweimal im Jahr reinigen und desinfizieren sowie den Verflüssiger mindestens einmal im Jahr prüfen und reinigen lassen.
3. Dieses Gerät darf nicht mit einem Wasserstrahl gereinigt werden.

[1] Außenflächen

Alle Außenflächen mindestens einmal in der Woche mit einem sauberen, weichen Tuch abwischen. Fett- und Schmutzspuren mit

einem feuchten Tuch und neutralen Reinigungsmittel entfernen.

[2] Reinigung/Desinfektion von Eisschaufel und Griff des Vorratsbehälters (täglich)

- 1) Entweder 3 Liter Wasser mit einer 11 ml 5,25 %igen Natriumhypochloritlösung oder mit dem empfohlenen Hoshizaki-Desinfizierer wie beschrieben in einem geeigneten Behälter mischen.
- 2) Die Eisschaufel als 3 Minuten in der Lösung baden. Gut ausspülen und zum Entfernen der Restflüssigkeit ausschütteln.

Beachten: Abtrocknen mit einem Tuch kann zu erneuter Verschmutzung führen.

- 3) Zum Abwaschen des Vorratsbehältergriffs einen Neutralreiniger benutzen. Gut abspülen.
- 4) Ein sauberes Tuch mit der Desinfizierlösung tränken und den Griff abwischen. Frisches Wasser und sauberes Tuch zum Abspülen bzw. Abtrocknen einsetzen.

[3] Reinigung/Desinfektion der Innenflächen des Vorratsbehälters (wöchentlich)

- 1) Vorratsbehältertür öffnen und sämtliches Eis entfernen.
- 2) Trennwand des Vorratsbehälters mit einem neutralen, nicht scheuernden Reinigungsmittel waschen und gründlich nachspülen.
- 3) Ein sauberes Tuch mit dem Neutralreiniger anfeuchten und beide Seiten der Seitenteile und die Innenseite der Tür abwischen. Den Reiniger mit einem sauberen, feuchten Tuch abwischen.

- 4) In einem geeigneten Behälter 3 l Wasser mit 11 ml einer 5,25 %igen Natriumhypochloridlösung vermischen oder den empfohlenen Hoshizaki-Desinfizierer wie beschrieben verwenden.

- 5) Einen sauberen Schwamm oder ein Tuch mit der Lösung anfeuchten und Trennwand und Innenwände des Vorratsbehälters, Vorratsbehältertür und Seitenteile abwischen.

- 6) Gut mit frischem Wasser abspülen und mit sauberem Tuch die Lösung entfernen. Die Vorratsbehältertür schließen.

Beachten: Einige Lösungen können die Oberfläche der Innenseite des Vorratsbehälters beschädigen oder Roststellen an den Metallteile verursachen. Spülen Sie den Desinfizierer immer ab, es sei denn, Hoshizaki gibt ausdrücklich andere Anweisungen.

[4] Luftfilter

Der Maschenfilter aus Kunststoff verhindert das Eindringen von Schmutz und Staub aus der Luft und ein Verstopfen des Verflüssigers. Durch einen verstopften Filter wird die Funktion des Eisbereiters beeinträchtigt. Den Luftfilter mindestens zweimal monatlich herausnehmen und säubern:

- 1) Frontplatte (C) entfernen.

Beachten: Fassen Sie nicht mit der Hand ins Maschinenabteil.

- 2) Luftfilter entfernen.
- 3) Luftfilter mit einem Staubsauger säubern. Falls er sehr verstopft ist, Luftfilter mit warmem Wasser und Neutralreiniger waschen.
- 4) Luftfilter gründlich spülen und abtrocknen und wieder einsetzen.

[5] Wassersystem zur Eisproduktion

Um den hygienischen Zustand des Eisbereiters zu erhalten, wird regelmäßige Reinigung des Wassersystems zur Eisproduktion empfohlen. Wenden Sie sich immer an ausgebildetes Kundendienstpersonal, um das Wassersystem zur Eisproduktion zu reinigen.

- Beachten:
1. Der Waschscharter auf der Seite des Steuerkastens ist nur zum Gebrauch durch Kundendienstpersonal gedacht.
 2. Während des normalen Betriebs muß der Waschscharter auf "EIS" stehen.

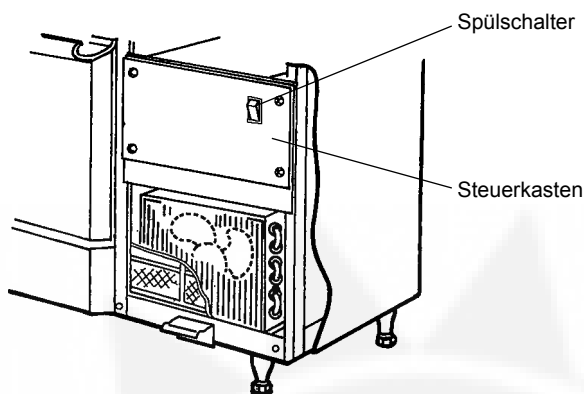


Abb. 8

Spanien/Portugal - Hoshizaki Iberia
TEL: +34 (0)93 4780952
FAX: +34 (0)93 4780900

Andere Länder - Hoshizaki Europe
TEL: +31 (0)20 6918499 oder +44 (0)845 456 0585
FAX: +31 (0)20 6918768 oder +44 (0)1462 499080

Außer Europa

Hoshizaki Singapore
TEL: +65 6225 2612
FAX: +65 6225 3219

Hoshizaki Lancer Pacific
TEL: +61 8 8268 1388
FAX: +61 8 8268 1978

Hoshizaki Suzhou
TEL: +86 512 62807850
FAX: +86 512 62807860

2. BEVOR SIE DEN KUNDENDIENST RUFEN

Wenn der Eisbereiter nicht ordnungsgemäß oder überhaupt nicht funktioniert, prüfen Sie bitte zunächst:

- * daß der Netzstrom eingeschaltet ist.
- * daß die Wasserzufuhr aufgedreht ist.
- * daß der Luftfilter sauber ist.

Bei weiteren Fragen wenden Sie sich bitte an Ihren Hoshizaki Händler/Kundendienst.

**Dieses Produkt enthält ein hermetisch abgeschlossenes Kältesystem mit fluorierten Treibhausgasen nach dem Kyoto-Protokoll:
IM-100CLE**

R134a / GWP 1300 / 0.29kg

3. GEWÄHRLEISTUNG

Hoshizaki garantiert dem ursprünglichen Eigentümer/Benutzer, dass alle Markenprodukte von Hoshizaki für die Dauer der "Garantiezeit" frei von Material- und/oder Verarbeitungsfehlern sind. Diese Garantie gilt für zwei Jahre ab Datum der Installation.

Die Haftung von Hoshizaki nach diesen Garantiebedingungen ist begrenzt. Sie schließt Routinewartung und Reinigung sowie Wartungs- und/oder Reparaturarbeiten aus, die durch missbräuchliche Benutzung oder fehlerhafte Installation verursacht werden.

Garantiereparaturen sind von einem zugelassenen Hoshizaki-Händler oder -Kundendienst mit Hoshizaki-Originalbauteilen auszuführen.

Vollständige Informationen über Gewährleistung und zugelassene Kundendienste erhalten Sie von Ihrem Händler/Lieferanten oder dem nächstgelegenen Hoshizaki-Servicebüro:

Europa

Großbritannien/Irland - Hoshizaki UK
TEL: +44 (0)845 456 0585
FAX: +44 (0)1462 499080

Niederlande - Hoshizaki Europe
TEL: +31 (0)20 6918499
FAX: +31 (0)20 6918768

Belgien/Luxemburg - Hoshizaki Belgium
TEL: +32 (0)2 7123030
FAX: +32 (0)2 7123031

Deutschland/Schweiz/Österreich - Hoshizaki Deutschland
TEL: +49 (0)2154 92810
FAX: +49 (0)2154 928128

Frankreich - Hoshizaki France
TEL: +33 (0)1 48639380
FAX: +33 (0)1 48639388

EG KONFORMITÄTSERKLÄRUNG

Hersteller: Hoshizaki Europe Ltd.

Anschrift: Unit A, Stafford Park 18, Telford,
Shropshire TF3 3DJ England

Wir erklären hiermit, daß die unten genannte(n) und von uns hergestellte(n) Maschine(n) die Gesundheits- und Sicherheitserfordernisse der folgenden EG-Bestimmungen erfüllt (erfüllen):

EU-Richtlinien: Richtlinie zur elektromagnetischen Verträglichkeit
(89/336/EEC, 92/31/EC, 93/68/EEC, 2004/108/EC)
Niederspannungsrichtlinie (2006/95/EC)

Angewandte harmonisierte europäische Normen:

- EN 55014-1 (EMC)
- EN 55014-2 (EMC)
- EN 61000-3-2 (EMC)
- EN 61000-3-3 (EMC)
- EN 61000-4-2 (EMC)
- EN 61000-4-3 (EMC)
- EN 61000-4-4 (EMC)
- EN 61000-4-5 (EMC)
- EN 61000-4-6 (EMC)
- EN 61000-4-11 (EMC)
- EN 60335-1 (LVD)
- EN 60335-2-24 (LVD)
- EN 50366 (EMF)

Erstzulassung der CE-Marke: 2005

Produktbeschreibung: Hoshizaki Eisbereiter

Modell(e): IM-100CLE

Name: Akira Kamiya

Position: Managing Director

Die Gültigkeit dieser Erklärung erlischt, wenn diese Maschine(n) ohne unsere Genehmigung verändert werden.

BELANGRIJK

- Deze handleiding is een essentieel onderdeel van het product en moet door de gebruiker worden bewaard. De instructies en waarschuwingen in deze handleiding moeten zorgvuldig worden gelezen en opgevolgd omdat ze essentiële informatie bevatten over juiste installatie en veilig gebruik en onderhoud van het product. Bewaar deze handleiding voor verdere raadpleging.
- Dit is een commerciële ijsblokjesmachine die slechts mag worden gebruikt voor het specifieke doel waarvoor hij is ontworpen. Elk ander gebruik is oneigenlijk en wordt als gevaarlijk beschouwd. De fabrikant aanvaardt geen aansprakelijkheid en is niet verantwoordelijk voor schade ontstaan als gevolg van oneigenlijk, onjuist en onoordeelkundig gebruik.

I. INSTRUCTIES VOOR INSTALLATIE

WAARSCHUWING

Het installeren moet worden uitgevoerd door gekwalificeerde personen in overeenstemming met de geldende regulaties en overeenkomstig de instructies van de fabrikant.

1. UITPAKKEN

WAARSCHUWING

Houd de verpakking (plastic zakken en polystyreenschuim) uit de buurt van kinderen omdat ze een potentieel gevaar vormen.

VOORZICHTIG

Verwijder al het karton, plakband en verpakkingsmateriaal. Als er verpakkingsmateriaal op de machine achterblijft zal hij niet goed werken.

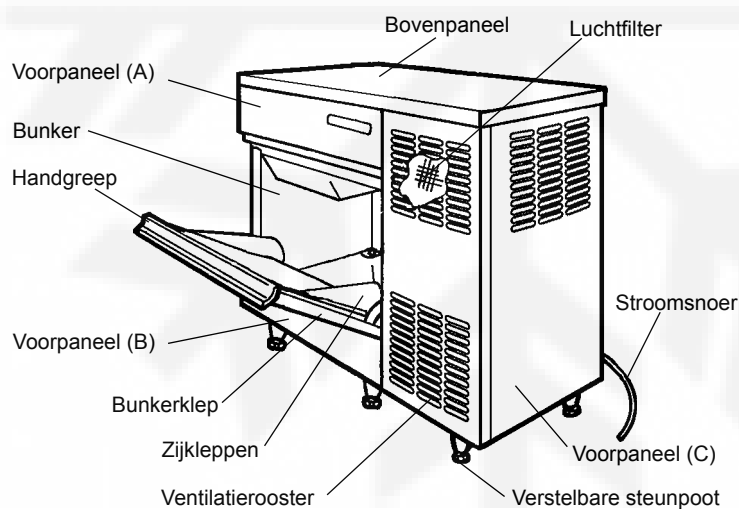


Fig. 1

- Controleer na verwijdering van de verpakking of de machine in goede staat verkeert. Bij twijfel mag de machine niet in gebruik worden genomen en moet contact worden opgenomen met deskundig en gekwalificeerd personeel.
- Verwijder het transportplakband waarmee de deur en het voorpaneel vastzitten.
- Verwijder het beschermfolie van de buitenkant van de machine. Indien de machine is blootgesteld aan zonlicht mag de beschermfolie pas worden verwijderd nadat de machine is afgekoeld.
- Verwijder het transportplakband van de accessoires en controleer de inhoud:

a) Installatieset	
Toevoerslang	1
Afvoerslang	1
1/2-3/4 Nippel	1

Elleboogpijp	1
b) IJsschep	1
c) Verstelbare steunpoot	6

- Verwijder de tape waarmee de bunkerschakelaar is vastgezet door de bunkerdeur te openen en naar binnen te reiken (zie fig. 2).

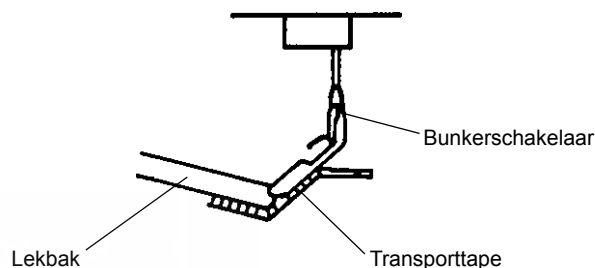


Fig. 2

2. LOCATIE

BELANGRIJK

- Deze ijsblokjesdispenser is niet bedoeld voor gebruik buitenshuis. De normale bedrijfsomgevingstemperatuur moet tussen 1°C en 40°C liggen. Normale bedrijfstemperatuur moet tussen 5°C en 35°C liggen. Langdurig gebruik van de ijsblokjesdispenser buiten deze temperatuurgebieden kan gevolgen hebben voor de productiecapaciteit.
- De ijsblokjesdispenser mag niet worden geplaatst naast ovens, grills of andere hitteproducerende apparatuur.
- De ondergrond van de machine moet stevig en vlak zijn op normale werkbladhoogte.
- Houd voor een goede luchtcirculatie en gemak bij onderhoud en service een ruimte van 15cm vrij aan de achterkant, zijkanten en bovenkant.
- Deze machine is niet geschikt voor installatie op een locatie waar een hogedrukreiniger wordt gebruikt of waar waterdruppels niet zijn toegestaan.
- Er mag niets bovenop de machine of voor de luchtgekoelde condensor worden geplaatst.
- Deze machine werkt niet bij vorsttemperaturen. Om te voorkomen dat de watertoevoerleiding beschadigd raakt moet u de machine leeg laten lopen als de luchttemperatuur onder nul is (zie "II. 2. DE IJSBLOKJESDISPENSER VOORBEREIDEN OP LANGE OPSLAG").

3. INSTALLATIE

* Verkeerde installatie kan mensen en dieren letsel toebrengen of materiële schade veroorzaken. De fabrikant aanvaardt hiervoor geen aansprakelijkheid.

* Plaats de ijsblokjesdispenser op de geselecteerde permanente locatie.

4. ELEKTRISCHE AANSLUITINGEN

WAARSCHUWING

DIT APPARAAT MOET GEAARD WORDEN

Deze ijsblokjesdispenser moet worden geaard overeenkomstig de nationale en plaatselijke voorschriften. Om elektrocutie van personen of schade aan de apparatuur te voorkomen moet een aardingsdraad op de juiste wijze worden aangebracht. Voordat met onderhoud, reparatie of reiniging wordt begonnen moet de stekker uit het stopcontact worden genomen.

* Deze ijsblokjesdispenser moet worden aangesloten op een aparte elektrische voeding of stopcontact met een spanning van 220 - 240 Volt.

- * De zekering in de hoofschakelkast is nominaal 5A en mag alleen door een gekwalificeerde onderhoudsmonteur worden vervangen.
- * Er moet gebruik worden gemaakt van de diensten van een bevoegde elektricien.
- * Als de voedingskabel en de stekker moeten worden vervangen, mag dat alleen worden gedaan door een bevoegde elektricien.
- * De draden in de voedingskabel zijn gekleurd overeenkomstig de volgende code:

Groen en geel = Aarde
 Blauw = Neutraal
 Bruin = Stroomdraad

Omdat de kleuren van de draden in de voedingskabel van dit apparaat een andere kleur kunnen hebben dan die van de klemmen in uw stekker, moet als volgt te werk worden gegaan:

De geel met groene draad moet op de klem in de stekker worden aangesloten die is gemerkt met de letter E, of met het symbool \perp , of die groen of groen/geel gekleurd is. De blauwe draad moet worden aangesloten op de klem die is gemerkt met de letter N, of die zwart gekleurd is. De bruine draad moet op de klem worden aangesloten die is gemerkt met de letter L, of die rood gekleurd is.

- * Indien het stopcontact op de plaats van installatie niet geschikt is voor de bijgeleverde stekker, moet de stekker worden verwijderd (afsnijden indien het een gegoten stekker is) en door een passende stekker worden vervangen.

Een gegoten stekker die van het snoer is afgesneden moet worden weggegooid en mag niet opnieuw gebruikt worden. Het aanbrengen van zo'n stekker in een stopcontact ergens anders houdt een ernstig risico op elektrische schok in.

5. AANSLUITINGEN VOOR WATERTOEVOER EN WATERAFVOER

- * Er mag alleen drinkwater worden gebruikt voor deze ijsblokjesdispenser.
- * De toegevoerde waterdruk moet tenminste 0,5 bar en maximaal 8 bar bedragen. Indien de waterdruk meer is dan 8 bar, moet gebruik gemaakt worden van een reduceerventiel. De watertoevoer kraan mag voor dit doel **NIET** gedeeltelijk worden dichtgedraaid.
- * In sommige gebieden moet u een loodgietersvergunning aanvragen bij een bevoegde loodgieter.
- * Bij watergekoelde modellen heeft u een terugslagklep nodig in het koelwatersysteem.
- * Water moet worden afgevoerd in een open waterslot.
- * De ijsblokjesdispenser stroomt onder natuurlijk verval, dus zorg ervoor dat er een afvoerbuis op een geschikte hoogte is met een goed verval.
- * Om terugstroming in de opslagbunker te voorkomen, moet de afvoerslang worden gelegd zoals in fig. 3.

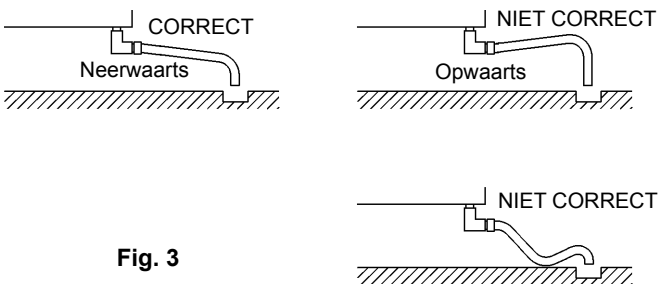


Fig. 3

- 1) Bevestig het gebogen uiteinde van de witte buigzame toevoerslang (accessoire) aan de G3/4 aansluiting op de achterkant van de ijsblokjesdispenser, zoals aangegeven (fig. 4). Zorg er daarbij voor dat de rubber afdichtingsring goed is aangebracht. Voorkom lekkage door de aansluiting handvast aan te draaien.
- 2) Bevestig het andere uiteinde van de toevoerslang aan de waterkraan (fig. 5). Zorg ervoor dat de ring goed is aangebracht alvorens handvast aan te draaien zoals hierboven. Het is een goede voorzorgsmaatregel om een afsluiter binnen handbereik te hebben.
- 3) Sluit de 3/4"-3/4" nippel (accessoire) aan op de elleboogpijp (accessoire) zoals aangegeven in fig. 6. Voor een lekvrije verbinding moet PTFE-tape en/of een geschikte afdichtingspasta worden gebruikt.
- 4) Draai de 3/4"-3/4" nippel en de elleboogpijp vast op de Rc 3/4" aansluiting aan de onderkant van de ijsmachine zoals aangegeven in fig. 4. Voor een lekvrije verbinding moet PTFE-tape en/of een geschikte afdichtingspasta worden gebruikt.
- 5) Gebruik een pijpkoppelingsmengsel (voor pvc) om de afvoerslang samen met de pvc-pijp (accessoire) aan te sluiten op de elleboogpijp zoals aangegeven in fig. 7. De slang kan zondig op lengte worden gesneden voor een passende aansluiting op de hoofdafvoer.

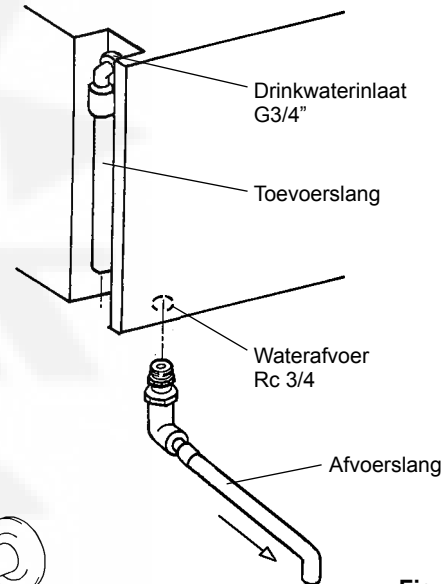


Fig. 4

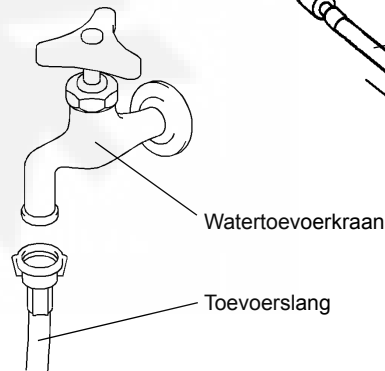


Fig. 5

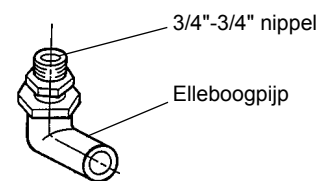


Fig. 6

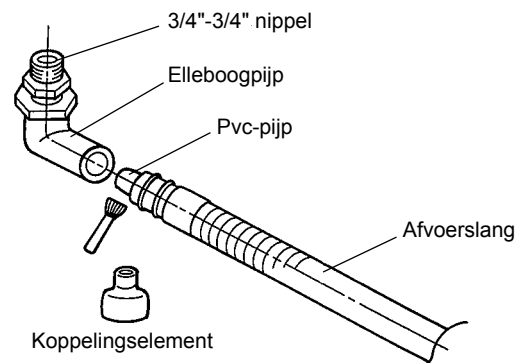


Fig. 7

II. INSTRUCTIES VOOR DE BEDIENING

WAARSCHUWING

- Deze ijsblokjesdispenser is ontworpen voor de productie en opslag van uit water gemaakte ijsblokjes van de machine:
 - * Handen wassen alvorens het ijs te verwijderen. Gebruik de meegeleverde plastic ijsschep (accessoire).
 - * De voorraadbunker mag alleen voor ijs worden gebruikt. Sla niets anders op in de bunker.
 - * Reinig de voorraadbunker voordat u hem gaat gebruiken (raadpleeg "III 1. REINIGING").
 - * Houd de ijsschep schoon. Reinig hem met een neutraal reinigingsmiddel en spoel goed af.
 - * Sluit de deur nadat u het ijs heeft verwijderd, om te voorkomen dat er vuil, stof of insecten in de voorraadbunker terechtkomen.
- Bij het gebruik van elektrische apparatuur moeten enkele grondregels in acht worden genomen, in het bijzonder:
 - * Een hoge vochtigheidsgraad en veel vocht doet het risico op kortsluiting en elektrocutie toenemen. Bij twijfel moet de ijsautomaat worden uitgeschakeld.
 - * Voor het uitschakelen van de ijsautomaat mag de stekker niet aan het snoer uit het stopcontact worden getrokken.
 - * Dit apparaat is niet geschikt voor gebruik zonder toezicht door jonge kinderen, bejaarden of invaliden.
- Alle onderdelen zijn in de fabriek ingesteld. Verkeerde instellingen kunnen leiden tot defecten.
- Indien de eenheid wordt uitgeschakeld moet u tenminste 3 minuten wachten voordat de ijsblokjesdispenser weer mag worden aangezet, om beschadiging aan de compressor te voorkomen.

1. BEDIENING

De installateur zal gewoonlijk de ijsblokjesdispenser installeren om het automatische ijsbereidingsproces te starten. Voor een continue werking moet u ervoor zorgen dat:

- * De watertoevoer kraan open staat, en
- * De ijsblokjesdispenser is aangesloten op de voedingsbron.

2. DE IJSBLOKJESDISPENSER VOORBEREIDEN OP LANGE OPSLAG

- Verwijder de stekker van de ijsblokjesdispenser uit het stopcontact of sluit de voeding af.
- Sluit de watertoevoer kraan en verwijder de toevoerslang.
- Verwijder al het ijs uit de voorraadbunker en reinig hem.
- Laat de machine aftappen door gekwalificeerd personeel.

III. ONDERHOUD

1. REINIGING

WAARSCHUWING

- Voordat met het reinigen of onderhoud wordt begonnen moet de stekker van de ijsblokjesdispenser uit het stopcontact worden genomen.
- Vraag een getrainde onderhoudsmonteur twee keer per jaar het watersysteem van de ijsblokjesdispenser te reinigen en ontsmetten, en controleer en reinig de condensor minstens één keer per jaar.
- Dit apparaat mag niet worden gereinigd met een waterstraal.

[1] Buitenzijde

Veeg de buitenzijde minstens eens per week schoon met een

schone, zachte doek. Gebruik een doorweekte doek met een neutraal reinigingsmiddel om vet of vuil mee af te nemen.

[2] Reiniging/ontsmetting van de ijsschep en de handgreep van de voorraadbunker (dagelijks)

- Meng 3 liter water met 11 ml van een oplossing van 5,25% natriumhypochloriet in een geschikte bak, of de aanbevolen Hoshizaki ontsmetter, zoals aangegeven.
- Week de ijsschep minstens drie minuten in deze oplossing. Spoel grondig af, en schud om overtollige vloeistof te verwijderen.

N.B.: Als u een doek gebruikt om te drogen kan hij weer bevuild worden.

- Gebruik een neutraal reinigingsmiddel om de handgreep van de voorraadbunker te wassen. Spoel grondig af.

- Doorweek een schone doek met het ontsmettingsmiddel en veeg de handgreep af. Gebruik schoon water en een schone doek om af te spoelen en af te drogen.

[3] Reiniging/ontsmetting bunkerdeur (wekelijks)

- Open de bunkerdeur en verwijder al het ijs.
- Was de bunkerinlegger met een neutraal niet-schurend schoonmaakmiddel. Spoel grondig af.
- Doorweek een schone doek met het neutrale reinigingsmiddel en veeg beide zijden van het mondstuk en de binnenzijde van de deur af. Veeg het schoonmaakmiddel af met een schone natte doek.

- Meng 3 liter water met 11 ml 5,25% natriumhypochloriet in een geschikte bak of de aanbevolen Hoshizaki ontsmetter, zoals aangegeven.

- Doorweek een schone spons of doek met de oplossing en veeg de bunkerinlegger, bunkerdeur en het mondstuk af.

- Spoel grondig af met schoon water en een schone doek om de oplossing er vanaf te vegen. Sluit de bunkerdeur.

N.B.: Sommige oplossingen kunnen schade aan de oppervlakken van de bunkerinlegger of corrosie aan de metalen onderdelen veroorzaken. Spoel het ontsmettingsmiddel altijd af, tenzij de Hoshizaki-richtlijnen anders aangeven.

[4] Luchtfilter

Een plastic maasluchtfilter verwijdert vuil en stof uit de lucht en zorgt ervoor dat de condensor niet verstopt raakt. Hoe meer het filter verstopt raakt hoe slechter de prestaties van de ijsblokjesdispenser. Het luchtfilter moet minstens tweemaal per maand worden verwijderd en schoongemaakt:

- Verwijder het Voorpaneel (C).

N.B.: Doe uw hand niet in het motorcompartiment.

- Verwijder het luchtfilter.

- Reinig luchtfilter met een stofzuiger. Als het erg verstopt is moet u warm water en een neutraal schoonmaakmiddel gebruiken om het luchtfilter te wassen.

- Spoel en droog het luchtfilter grondig af, en plaats het weer terug.

[5] Ijsbereidingswatersysteem

Om de ijsblokjesdispenser hygiënisch te houden wordt periodieke reiniging van het ijsbereidingswatersysteem aanbevolen. Vraag altijd aan een getraind onderhoudsmonteur om het watersysteem te reinigen.

N.B.: 1. De wasschakelaar op de zijkant van de bedieningskast is alleen bedoeld voor gebruik door onderhoudspersoneel.

2. Tijdens normale ijsbereidingswerkzaamheden moet de wasschakelaar in de "ICE"-positie staan.

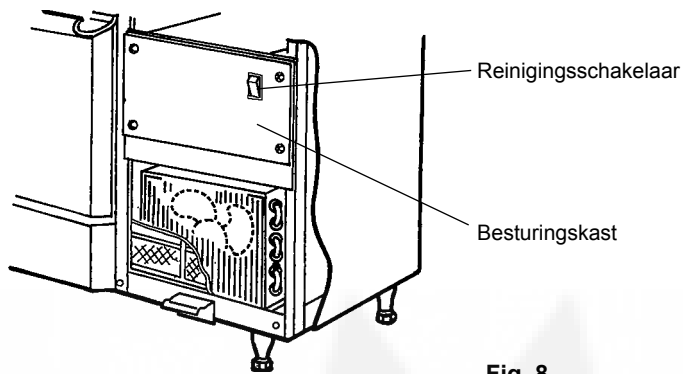


Fig. 8

2. VOORDAT CONTACT MET EEN SERVICEBEDRIJF WORDT OPGENOMEN

Als de ijsblokjesdispenser niet goed werkt of helemaal niet werkt, moet voordat contact met een servicebedrijf wordt opgenomen worden gecontroleerd dat:

- * Elektrische spanning op het apparaat aanwezig is.
- * Het water aan staat.
- * Het luchtfilter schoon is.

Voor meer hulp of advies moet u contact opnemen met uw plaatselijke servicevertegenwoordiger.

3. GARANTIE

Hoshizaki garandeert de oorspronkelijke eigenaar/gebruiker dat alle producten van het merk Hoshizaki vrij zijn van materiaal- en/of productiefouten voor de duur van de "garantieperiode". Deze garantie blijft twee jaar van kracht vanaf de datum van installatie. De aansprakelijkheid van Hoshizaki in het kader van de garantie is beperkt en omvat geen routineonderhoud, reiniging, essentieel onderhoud en/of reparaties ten gevolge van onjuist gebruik en installaties die niet volgens de richtlijnen van Hoshizaki zijn uitgevoerd.

Reparaties in het kader van de garantie moeten worden uitgevoerd door een goedgekeurde Hoshizaki-dealer of serviceorganisatie met behulp van echte Hoshizaki-onderdelen.

Voor volledige informatie over uw garantie en over goedgekeurde servicebedrijven, raadpleegt u uw dealer/leverancier of de dichtstbijzijnde servicevestiging van Hoshizaki:

Europa

Verenigd Koninkrijk/Ierland - Hoshizaki UK
 TEL: +44 (0)845 456 0585
 FAX: +44 (0)1462 499080

Nederland - Hoshizaki Europe
 TEL: +31 (0)20 6918499
 FAX: +31 (0)20 6918768

België/Luxemburg - Hoshizaki Belgium
 TEL: +32 (0)2 7123030
 FAX: +32 (0)2 7123031

Duitsland/Zwitserland/Oostenrijk - Hoshizaki Deutschland
 TEL: +49 (0)2154 92810
 FAX: +49 (0)2154 928128

Frankrijk - Hoshizaki France
 TEL: +33 (0)1 48639380
 FAX: +33 (0)1 48639388

Spanje/Portugal - Hoshizaki Iberia
 TEL: +34 (0)93 4780952
 FAX: +34 (0)93 4780900

Overige landen - Hoshizaki Europe
 TEL: +31 (0)20 6918499 of +44 (0)845 456 0585
 FAX: +31 (0)20 6918768 of +44 (0)1462 499080

Buiten Europa

Hoshizaki Singapore
 TEL: +65 6225 2612
 FAX: +65 6225 3219

Hoshizaki Lancer Pacific
 TEL: +61 8 8268 1388
 FAX: +61 8 8268 1978

Hoshizaki Suzhou
 TEL: +86 512 62807850
 FAX: +86 512 62807860

Dit product is voorzien van een hermetisch gesloten koelsysteem dat gefluoreerde broeikasgassen bevat die binnen het kader van het Kyoto-protocol vallen:
IM-100CLE **R134a / GWP 1300 / 0.29kg**

EU CONFORMITEITSVERKLARING

Producent: Hoshizaki Europe Ltd.

Adres: Unit A, Stafford Park 18, Telford,
Shropshire TF3 3DJ England

Hierbij verklaren wij dat de onderstaande machine(s), die door ons is/zijn vervaardigd, voldoet/voldoen aan de noodzakelijke voorwaarden voor de veiligheid en gezondheid, zoals voorgeschreven in de volgende EEG richtlijnen:

EU-richtlijnen: EMC-richtlijn (89/336/EEC, 92/31/EC, 93/68/EEC,
2004/108/EC)
Laagspanningsrichtlijn (2006/95/EC)

Toegepaste geharmoniseerde Europese normen: EN 55014-1 (EMC)
EN 55014-2 (EMC)
EN 61000-3-2 (EMC)
EN 61000-3-3 (EMC)
EN 61000-4-2 (EMC)
EN 61000-4-3 (EMC)
EN 61000-4-4 (EMC)
EN 61000-4-5 (EMC)
EN 61000-4-6 (EMC)
EN 61000-4-11 (EMC)
EN 60335-1 (LVD)
EN 60335-2-24 (LVD)
EN 50366 (EMF)

CE-merk voor het eerst aangebracht: 2005

Omschrijving van het product: Hoshizaki ijsblokjesdispenser

Model(len): IM-100CLE

Naam: Akira Kamiya

Functie: Managing Director

Deze verklaring is niet meer geldig indien wijzigingen op de machine(s) worden aangebracht zonder onze toestemming.

IMPORTANTE

- Este libro es parte integrante y esencial del producto, por lo que el usuario debe guardarlo y conservarlo. Lea detenidamente las directrices y advertencias contenidas en este documento, pues tienen la finalidad de facilitarle información básica para un uso continuado seguro y un buen mantenimiento del producto. Además, facilita EXCLUSIVAMENTE ORIENTACIÓN al usuario sobre las reparaciones correctas y el emplazamiento del dispensador de hielo. Guarde este libro para hacer las consultas posteriores que puedan ser necesarias.
- Este aparato es un dispensador de hielo comercial y sólo se deberá destinar al uso para el que ha sido expresamente diseñado. El dispensador se debe acoplar a un recipiente de almacenamiento adecuado según las especificaciones de Hoshizaki. Cualquier otro uso debe ser considerado como inadecuado y por lo tanto, peligroso. El fabricante no podrá ser considerado responsable ni tendrá ninguna responsabilidad por cualquier daño ocasionado por un uso inadecuado, incorrecto o no razonable.

I. INSTRUCCIONES SOBRE LA INSTALACIÓN

ADVERTENCIA

Sólo deberá realizar la instalación el personal capacitado, de conformidad con las normativas en vigor, y siguiendo las instrucciones del fabricante.

1. DESEMBALADO

ADVERTENCIA

Mantener a los niños alejados de los componentes de embalaje (bolsas de plástico y poliestireno estirado) ya que pueden ser posibles fuentes de peligro.

PRECAUCIÓN

Retirar el cartón de embalaje, cinta(s) y empaquetado, si los materiales de embalaje se dejan dentro del dispensador, no funcionará correctamente.

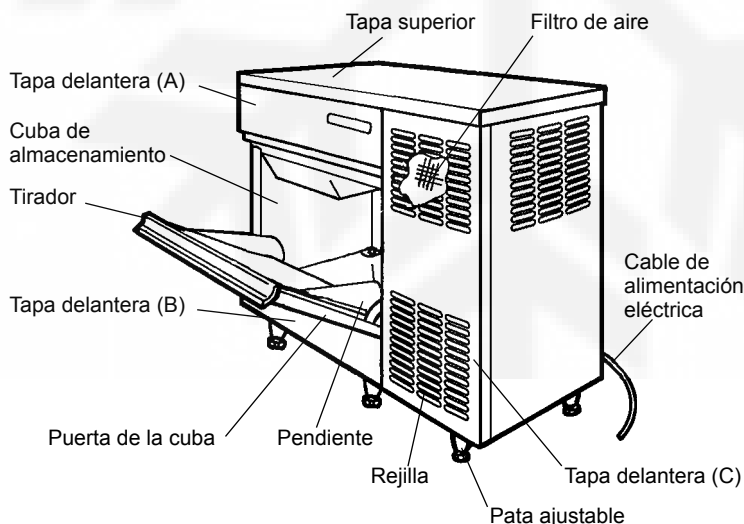


Fig. 1

- Tras retirar el embalaje, asegúrese de que el dispensador de hielo se encuentra en buenas condiciones. En caso de duda, no utilice el equipo y acuda al personal profesional cualificado.
- Retirar la cinta de embalaje que sujeta la puerta y el panel delantero.
- Retirar la película de plástico protectora de los paneles. Si el dispensador de hielo está expuesto al sol o calor, retirar la película una vez que se enfríe el dispensador de hielo.
- Retirar el paquete de accesorios, y revisar el contenido:
 - Kit de instalación
 - Manguera de entrada

Manguera de salida	1
Boquilla 3/4-3/4	1
Tubo acodado	1
b) Pala	1
c) Pata ajustable	6

- Retirar la cinta de embalaje que sujeta el interruptor de control de la cubeta, para ello se deberá abrir la puerta de la cubeta (véase fig. 2).

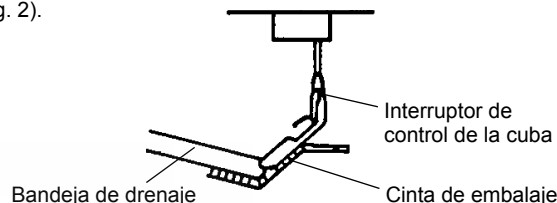


Fig. 2

2. SITUACIÓN

IMPORTANTE

- Este dispensador de hielo no está concebido para usar en el exterior. La temperatura ambiente normal de operación deberá estar entre 1°C y 40°C. La temperatura normal del agua de operación deberá estar entre 5°C y 35°C. La operación del dispensador de hielo, durante períodos largos, fuera de estas temperaturas normales podrá afectar a la capacidad de producción.
- El dispensador de hielo no se deberá instalar cerca de hornos, parrillas ni otro equipo que produzca fuerte calor.
- El lugar de instalación debe ser firme y nivelada para el equipo a una altura normal de encimera.
- Se deberán dejar 15cms. de espacio en la parte superior para una buena circulación del aire y facilidad de mantenimiento y/o servicio en caso necesario. Dejar una distancia de 30 cm en el lateral derecho sólo en el modelo refrigerado con aire.
- Este aparato no es aconsejable para su instalación en una zona donde se pueda usar un chorro de agua y donde no pueda gotear.
- No colocar nada sobre el productor de hielo ni enfrente de la rejilla.
- El productor no funcionará a temperaturas por debajo de congelación. Para evitar que se dañe la conducción de la acometida de agua, drenar el productor cuando la temperatura del aire sea inferior a cero grados. (véase "II.2. PREPARACIÓN DEL DISPENSADOR DE HIELO PARA ALMACENAJES PROLONGADOS").

3. INSTALACIÓN

- * La instalación incorrecta puede lesionar a otras personas, animales o cosas, de lo que el fabricante no se puede hacer responsable.
- * Colocar el dispensador de hielo en el lugar permanente seleccionado.

4. CONEXIÓN ELÉCTRICA

ADVERTENCIA

ESTE APARATO SE DEBE CONECTAR A TIERRA

Este dispensador de hielo necesita una conexión a tierra que cumpla con las normativas del código de electricidad nacional y local. Para evitar la posible descarga eléctrica severa a personas, o gran daño al equipo, instalar un cable a tierra adecuado en el dispensador de hielo. Retirar el enchufe de la corriente antes de realizar cualquier mantenimiento, reparación o limpieza.

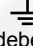
- * Este dispensador de hielo debe disponer de una toma

independiente de energía eléctrica o una caja individual de contacto de 220-240 V. Vea la placa de características.

- * El fusible de la caja principal de control tiene una potencia de 5 A y sólo podrá ser cambiado por un electricista cualificado.
- * Normalmente se recurre al permiso eléctrico y servicios de un electricista autorizado.
- * Si se necesitara acoplar o sustituir un cable de potencia o un enchufe, la reparación debe efectuarla un ingeniero cualificado del servicio técnico.
- * Los cables en el cordón de corriente son de color conforme al siguiente código.

Verde y Amarillo = Tierra
Azul = Neutro
Marrón = Corriente

Debido a que los colores del cable en el cordón de corriente de este aparato puede que no correspondan con las marcas de colores que identifican las bornas en su enchufe, proceda como sigue:

El cable de color Verde y Amarillo se debe conectar a la borna en el enchufe marcado con la letra E o con el símbolo  o de color verde o verde y amarillo. El cable de color azul se deberá conectar a la borna marcada con la letra N o de color negro. El cable de color marrón se debe conectar a la borna marcada con la letra L o de color rojo.

- * En caso de que las salidas del enchufe en el punto de instalación no sean adecuadas para el enchufe suministrado con el aparato, se deberá quitar el enchufe (cortar si está moldeado en el enchufe) e instalar uno correcto.

Si se ha cortado el enchufe no rebobinable del cordón de corriente, se deberá tirar. No se debe tratar de usar. Si se introduce este enchufe en otro punto presenta un serio riesgo de descarga eléctrica.

5. SUMINISTRO DE AGUA Y CONEXIONES DE DESAGÜE

- * Sólo se deberá usar agua potable en este dispensador de hielo.
- * La presión de acometida de agua deberá ser de un mínimo de 0,5 bares y un máximo de 8 bares. Si la presión supera los 8 bares, se deberá usar una válvula de reducción de presión. **NO** se debe reducir la presión del grifo de acometida.
- * En algunas zonas pueden ser necesarios un permiso de fontanería y los servicios de un fontanero capacitado.
- * El agua deberá desaguar en un desagüe abierto.
- * El caudal de desagüe del dispensador de hielo funciona por gravedad, por lo que se debe comprobar que la tubería de desagüe tiene una caída adecuada.
- * Para evitar una contracorriente en la cuba de almacenamiento, el tubo de salida debe instalarse como se indica en la fig. 3.

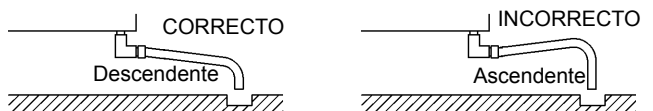


Fig. 3

- 1) Instalar un extremo en codo de tubería de entrada flexible blanca (accesorio) en el accesorio G3/4 de la parte trasera del productor de hielo, como se indica en la fig. 4, y asegurarse de que la

arandela de junta de goma esté correctamente colocada. Apretar con la mano lo suficiente para para obtener una unión estanca.

- 2) Instalar el otro extremo de la tubería de entrada en el grifo de agua (fig. 5) y asegurarse de que la arandela esté correctamente colocada antes de apretar la unión con la mano como se ha indicado en el punto anterior. Se recomienda tener cerca una válvula de cierre como medida de precaución.
- 3) Conecte la boquilla 3/4-3/4 (accesorio) al tubo acodado (accesorio) como se indica (Ilust. 6). Debe utilizarse cinta P.T.F.E. y un compuesto sellador adecuado para obtener una junta estanca.
- 4) Apriete la boquilla 3/4-3/4 y el tubo acodado al racor Rc3/4 de la parte posterior de la máquina de hielo, tal como se muestra (Ilust. 4). Debe utilizarse cinta P.T.F.E. y un compuesto sellador adecuado para obtener una junta estanca.
- 5) Utilice un componente de la junta del tubo (para PVC) para unir la manguera de salida con el tubo de PVC (accesorio) al tubo acodado como se muestra (Ilust. 7). Puede cortar el tubo a la longitud necesaria ajustándolo a la posición del drenaje principal.

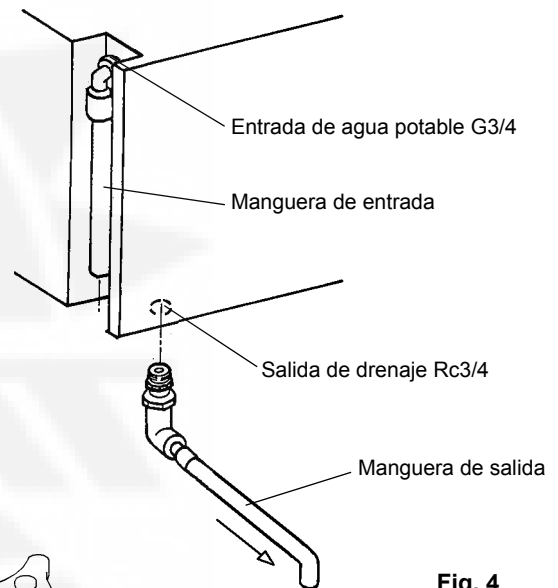


Fig. 4



Fig. 5

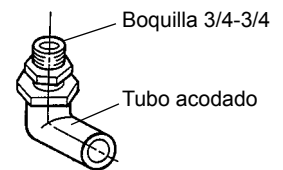


Fig. 6

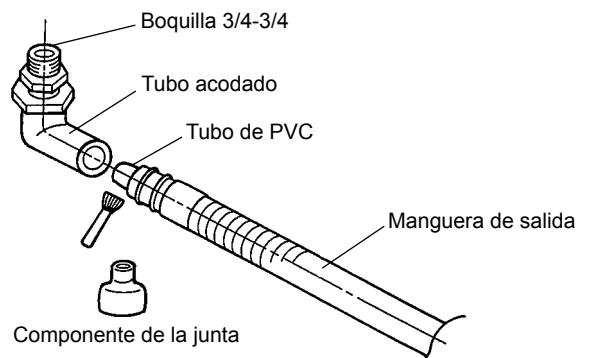


Fig. 7

II. INSTRUCCIONES DE OPERACIÓN

ADVERTENCIA

1. Este dispensador de hielo está diseñado para fabricar hielo comestible. Para mantener el dispensador en condiciones higiénicas:
 - * Lávese las manos antes de retirar el hielo. Utilice los colectores de plástico facilitados (accesorio)
 - * El recipiente de almacenamiento es sólo para hielo. No almacene ninguna otra cosa.
 - * Limpie el recipiente de almacenamiento antes de su uso (consulte "III. 1. LIMPIEZA").
 - * Mantenga limpio el colector. Límpielo utilizando un limpiador neutro y aclárelo bien.
 - * Cierre la puerta después de retirar el hielo para evitar la entrada de suciedad, polvo o insectos en el recipiente de almacenamiento.
2. El uso de cualquier equipo eléctrico implica la observación de algunas normas básicas. En particular:
 - * Ambientes de gran humedad aumentan el riesgo de cortocircuitos y de descargas eléctricas. En caso de duda, desconecte el dispensador de hielo.
 - * No estire del cable de potencia para desenchufar el dispensador de la red de alimentación.
 - * Este aparato no es apropiado para que lo utilicen sin supervisión jóvenes, niños, personas de edad o enfermas.
3. Todas las piezas han sido ajustadas en fábrica. Ajustes incorrectos pueden provocar fallos de la máquina.
4. Si se desconecta la unidad, espere 3 minutos, como mínimo, antes de volver a poner en marcha el dispensador de hielo; de esta forma evitará daños en el compresor.

1. OPERACIÓN

El instalador realizará la puesta en servicio del dispensador de hielo para iniciar el proceso automático de fabricación del hielo. Para asegurar su funcionamiento continuado, asegúrese de que:

- * El suministro de agua está conectado.
- * El productor de hielo está enchufado al suministro eléctrico.

2. PREPARACIÓN DEL DISPENSADOR DE HIELO PARA ALMACENAJES PROLONGADOS

- 1) Desenchufar el productor o desconectar el suministro eléctrico.
- 2) Cierre el grifo del agua y retire la tubería de entrada.
- 3) Extraiga todo el hielo que haya en el recipiente de almacenamiento.
- 4) Solicite que personal profesional cualificado realice el drenaje del dispensador de hielo.

III. MANTENIMIENTO

1. LIMPIEZA

ADVERTENCIA

1. Antes de realizar cualquier operación de mantenimiento o limpieza, desconectar el productor de la red eléctrica.
2. Pedir a una persona de servicio capacitada que limpie y sanee el sistema de agua del dispensador de hielo al menos dos veces al año y revise y limpie el condensador al menos una vez al año.
3. Este aparato no se debe limpiar con chorro de agua.

[1] Exterior

Limpiar el exterior al menos una vez a la semana con un paño limpio y suave. Usar un paño húmedo con un limpiador neutro para limpiar

la grasa o suciedad.

[2] Limpieza/saneamiento del asidero de la recipiente de almacenamiento y colector (diario)

- 1) Mezcle 3 litros de agua con 11 ml de una solución de hipoclorito sódico al 5,5 % en un contenedor apropiado o utilice el aparato para desinfectar Hoshizaki recomendado siguiendo las instrucciones.
- 2) Sumerja el colector en la solución durante más de 3 minutos. Aclare bien y agite para eliminar los restos de líquido.

Nota: Si se utiliza un paño para secarlo, el colector se puede contaminar de nuevo.

- 3) Utilizar un limpiador neutro para lavar el asidero de la recipiente de almacenamiento. Aclarar a fondo.
- 4) Empapar un paño con solución sanitaria y limpiar el asidero. Utilizar agua corriente y un paño limpio para secar.

[3] Limpieza/Desinfección del interior del recipiente de almacenamiento (Semanal)

- 1) Abra la puerta del recipiente de almacenamiento y retire todo el hielo.
- 2) Lave el revestimiento del recipiente con un limpiador neutro no abrasivo. Aclare bien.
- 3) Empapar un trapo limpio con limpiador neutro y limpiar ambos laterales de la pendiente y la superficie interior de la puerta. Quitar el limpiador con un trapo húmedo limpio.

- 4) Mezcle 3 litros de agua con 11 ml de una solución de hipoclorito sódico al 5,25% en un contenedor apropiado o utilice el aparato de desinfección Hoshizaki recomendado siguiendo las instrucciones.

- 5) Empapar una esponja o trapo limpio con la solución y limpiar el revestimiento de la cubeta, la puerta de la cubeta y la pendiente.

- 6) Aclare bien con agua dulce y un paño limpio para eliminar la solución. Cierre la puerta del recipiente.

Nota: Algunas soluciones pueden dañar las superficies del revestimiento interior del recipiente o corroer las piezas metálicas. Aclare bien el aparato de desinfección salvo que las directrices de Hoshizaki indiquen lo contrario.

[4] Filtro de aire

Un filtro de aire de malla de plástico elimina la suciedad y el polvo del aire y evita que se obstruya el condensador. Si así ocurriera, el funcionamiento del dispensador de hielo se reduciría. Desmonte y limpie el filtro de aire al menos dos veces al mes:

- 1) Extraer la tapa delantera (C).

Nota: No introduzca las manos en el compartimento de la máquina.

- 2) Extraer el filtro de aire.
- 3) Limpiarlo con una aspiradora. Cuando esté muy obstruido, puede utilizarse agua templada y un limpiador neutro para lavarlo.
- 4) Aclarar y secar el filtro a fondo y colocarlo en su sitio.

[5] Sistema de agua del productor de hielo

Para mantener el nivel de higiene necesario del productor de hielo, se recomienda limpiar periódicamente su sistema de agua. Consulten siempre a una persona de mantenimiento.

Nota: 1. El interruptor de lavado que está en el lateral de la caja de control sólo podrá ser manipulado por técnicos de mantenimiento.

2. Durante el funcionamiento normal del productor, mantengan el interruptor de lavado en la posición "HIELO".

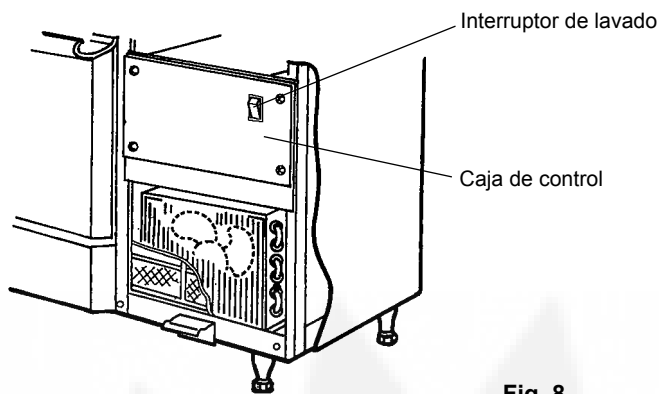


Fig. 8

Otros países - Hoshizaki Europe
TEL: +31 (0)20 6918499 o +44 (0)845 456 0585
FAX: +31 (0)20 6918768 o +44 (0)1462 499080

Otros países

Hoshizaki Singapore
TEL: +65 6225 2612
FAX: +65 6225 3219

Hoshizaki Lancer Pacific
TEL: +61 8 8268 1388
FAX: +61 8 8268 1978

Hoshizaki Suzhou
TEL: +86 512 62807850
FAX: +86 512 62807860

2. ANTES DE LLAMAR AL AGENTE DE SERVICIO

Si el dispensador de hielo no funciona correctamente o no funciona en absoluto, antes de solicitar servicio, compruebe que:

- * La unidad recibe corriente.
- * El agua está conectada.
- * El filtro de aire esté limpio.

Para más asistencia o información, póngase en contacto con el agente local de servicio Hoshizaki.

3. GARANTÍA

Hoshizaki garantiza al usuario/propietario que ninguno de los productos de su marca tendrá defectos de material o mano de obra durante la duración del "periodo de garantía". La garantía será efectiva durante dos años a partir de la fecha de instalación.

La responsabilidad de Hoshizaki según los términos de esta garantía es limitada y excluirá el servicio de rutina, la limpieza, el mantenimiento esencial o las reparaciones ocasionadas por uso incorrecto y por instalaciones que no se ajusten a las instrucciones de Hoshizaki.

Las reparaciones cubiertas por la garantía deberán ser realizadas por un distribuidor o centro de servicio homologado de Hoshizaki empleando componentes originales de Hoshizaki.

Para más detalles sobre la garantía y los centros de servicio técnico homologados, póngase en contacto con su distribuidor/proveedor, o con la oficina de Servicio Técnico de Hoshizaki más próxima:

Europa

R.U./Irlanda - Hoshizaki UK
TEL: +44 (0)845 456 0585
FAX: +44 (0)1462 499080

Holanda - Hoshizaki Europe
TEL: +31 (0)20 6918499
FAX: +31 (0)20 6918768

Bélgica/Luxemburgo - Hoshizaki Belgium
TEL: +32 (0)2 7123030
FAX: +32 (0)2 7123031

Alemania/Suiza/Austria - Hoshizaki Deutschland
TEL: +49 (0)2154 92810
FAX: +49 (0)2154 928128

Francia - Hoshizaki France
TEL: +33 (0)1 48639380
FAX: +33 (0)1 48639388

España/Portugal - Hoshizaki Iberia
TEL: +34 (0)93 4780952
FAX: +34 (0)93 4780900

Este producto incluye un sistema de refrigeración sellado herméticamente que contiene gases de efecto invernadero fluorados recogidos en el Protocolo de Kioto:
IM-100CLE R134a / GWP 1300 / 0.29kg

DECLARACIÓN DE CONFORMIDAD DE LA C.E.

Fabricante: Hoshizaki Europe Ltd.

Dirección: Unit A, Stafford Park 18, Telford,
Shropshire TF3 3DJ Inglaterra

Por el presente declaramos que la(s) máquina(s) enumeradas más abajo y fabricadas por nosotros cumplen los requisitos básicos sobre seguridad e higiene requeridos por las siguientes normativas de la C.E.:

Normativas CE: Directiva EMC (89/336/EEC, 92/31/EC, 93/68/EEC,
2004/108/EC)
Directiva sobre bajo voltaje (2006/95/EC)

Normas armonizadas europeas aplicadas:

- EN 55014-1 (EMC)
- EN 55014-2 (EMC)
- EN 61000-3-2 (EMC)
- EN 61000-3-3 (EMC)
- EN 61000-4-2 (EMC)
- EN 61000-4-3 (EMC)
- EN 61000-4-4 (EMC)
- EN 61000-4-5 (EMC)
- EN 61000-4-6 (EMC)
- EN 61000-4-11 (EMC)
- EN 60335-1 (LVD)
- EN 60335-2-24 (LVD)
- EN 50366 (EMF)

Marcaje de la C.E. fijado por primera vez en: 2005

Descripción el producto: Productor de hielo Hoshizaki

Modelo(s): IM-100CLE

Nombre: Akira Kamiya

Cargo: Director general

Esta declaración carecerá de validez si se efectúa cualquier tipo de alteración en la(s) máquina(s) sin nuestra autorización.

IMPORTANTE

1. Questo opuscolo è parte integrante ed essenziale del prodotto e dovrebbe essere conservato e custodito dall'utente. Leggere attentamente le indicazioni e le avvertenze contenute all'interno poiché sono rivolte a fornire all'utente informazioni essenziali per l'uso e la manutenzione sicuri e continuati del prodotto. Questo opuscolo fornisce, inoltre, INDICAZIONI GENERICHE per il corretto esercizio e l'ubicazione della macchina. Conservare questo opuscolo per eventuali future consultazioni.
2. Questa è una macchina per la produzione di ghiaccio ad uso commerciale e dovrebbe essere destinata solo all'impiego per il quale è stata espressamente progettata unitamente a una vaschetta di deposito secondo quanto specificato dalla Hoshizaki. Ogni altro impiego è da considerarsi improprio e quindi pericoloso. Il fabbricante non sarà responsabile di eventuali danni causati dall'uso improprio, scorretto e irragionevole del prodotto.

I. ISTRUZIONI PER L'INSTALLAZIONE

AVVERTENZA

L'installazione deve essere eseguita da personale qualificato, in ottemperanza alle norme vigenti e secondo le indicazioni del fabbricante.

1. DISIMBALLAGGIO

AVVERTENZA

Tenere i bambini lontano dai componenti dell'imballo (sacchetti di plastica e polistirolo espanso) poiché costituiscono potenziali fonti di pericolo.

ATTENZIONE

Rimuovere il cartone di imballaggio, il nastro adesivo e l'involucro. Il distributore non può funzionare se al suo interno sono presenti residui del materiale di imballaggio.

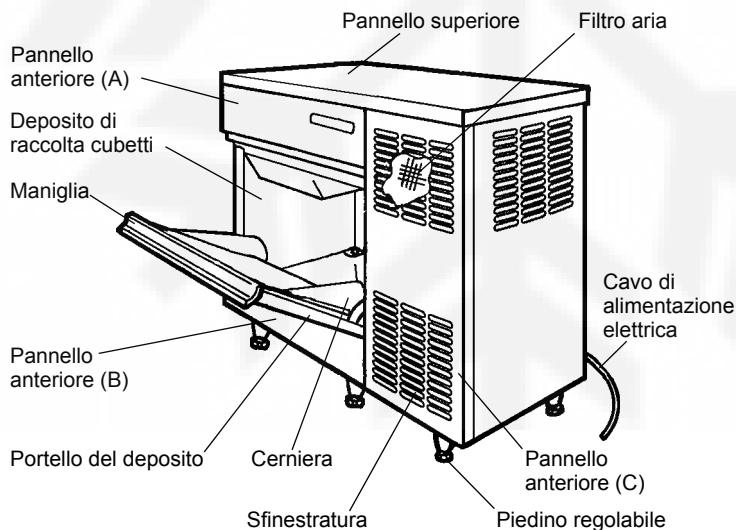


Fig. 1

- 1) Dopo aver rimosso l'imballaggio, assicurarsi che la macchina sia in buone condizioni. Nel dubbio, non metterlo in funzione e rivolgersi a personale qualificato.
- 2) Rimuovere il nastro da imballaggio sullo sportello e sul pannello anteriore.
- 3) Togliere i pannelli anteriore superiore, superiore e laterali per evitare danni in fase d'installazione del distributore di ghiaccio. Vedere la figura 1.
- 4) Rimuovere l'imballaggio degli accessori, e controllarne il contenuto:

a) Kit di installazione	
Tubo flessibile d'entrata	1
Tubo flessibile d'uscita	1

Attacco 3/4-3/4	1
Gomito	1
b) Cucchiaino di presa	1
c) Piedino regolabile	6

- 5) Aprire lo sportello della vaschetta per rimuovere il nastro da imballaggio sull'interruttore di comando della vaschetta (v. Fig. 2).

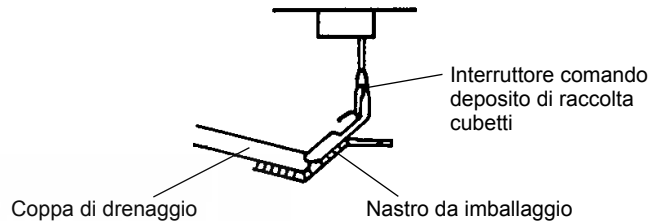


Fig. 2

2. UBICAZIONE

IMPORTANTE

1. Questo distributore non è stato progettato per l'uso all'aperto. La temperatura dell'ambiente di esercizio dovrebbe mantenersi tra i 1°C e i 40°C, e quella dell'acqua tra i 5°C e i 35°C. Impiegare per lungo tempo il distributore a temperature diverse da quelle indicate potrebbe danneggiarne seriamente la capacità produttiva.
2. Il distributore non dovrebbe essere collocato in prossimità di forni, grill o altre fonti di calore.
3. L'ubicazione dovrebbe garantire un appoggio stabile e orizzontale per l'apparecchio ad un'altezza corrispondente alla normale altezza del bancone.
4. Lasciare uno spazio di 15 cm al di sopra del distributore per favorire il passaggio dell'aria ed eventuali interventi di manutenzione. Solo modelli raffreddati ad aria; lasciare uno spazio di 30 cm sul lato destro.
5. Questo distributore non è indicato per l'installazione in aree in cui sia previsto l'uso di idrogetti e dove non sia consentito il gocciolamento.
6. Non collocare alcun oggetto sulla sommità del distributore o davanti alla griglia di ventilazione.
7. Questo distributore non può funzionare a temperature inferiori allo zero. Per evitare danni al circuito di alimentazione, far scolare il distributore non appena la temperatura dell'aria scende al di sotto dello zero (v. "II. 2. PREPARAZIONE DELLA MACCHINA PER LA CONSERVAZIONE PROLUNGATA").

3. INSTALLAZIONE

* Un'impropria installazione può causare danni a persone, animali o cose, verso cui il fabbricante non può ritenersi responsabile.

* Collocare il distributore nella posizione permanente prescelta.

4. COLLEGAMENTI ELETTRICI

AVVERTENZA

COLLEGARE IL DISTRIBUTORE A UNA PRESA DI TERRA

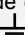
Per questo distributore è necessario disporre di una presa a terra che risponda alle normative vigenti. Per evitare traumi alle persone e danni elettrici all'impianto, collegare il distributore a una presa a terra con un apposito filo. Rimuovere la spina dalla presa di corrente prima di effettuare qualunque intervento di manutenzione, riparazione o pulizia.

* Questo distributore deve essere collegato ad alimentazione separata o a una presa di corrente da 220 - 240V. Leggere la targhetta.

- * Il fusibile dell'interruttore principale è da 5A e deve essere sostituito solo da un tecnico di manutenzione qualificato.
- * Di solito sono necessari l'assistenza e la certificazione di un elettricista autorizzato.
- * L'eventuale sostituzione del cavo di alimentazione o della spina deve essere effettuata solo da un tecnico di manutenzione qualificato.
- * I fili di alimentazione sono rivestiti secondo il seguente schema colore:

Verde e Giallo = Terra
 Blu = Neutro
 Marrone = Tensione

Poiché i colori dei fili nel cavo di alimentazione di questo distributore potrebbero non corrispondere a quelli dello schema precedente utilizzato per la presa di alimentazione, procedere nel modo seguente:

collegare il filo verde e giallo al terminale identificato con la lettera E o con il simbolo  o di colore verde o verde e giallo. Collegare il filo blu al terminale identificato con la lettera N o di colore nero. Collegare il filo marrone al terminale identificato con la lettera L o di colore rosso.

- * Qualora le prese elettriche disponibili non siano adatte alla spina fornita con il distributore, è necessario sostituire la spina (se necessario tagliando il filo) con un'altra appropriata.

Disfarsi della spina non riutilizzabile tagliata dal cavo di alimentazione. Non cercare di riutilizzarla. Inserirli in una qualunque presa di corrente costituisce un grave rischio di folgorazione.

5. COLLEGAMENTI PER ALIMENTAZIONE E SCARICO ACQUA

- * Utilizzare esclusivamente acqua potabile.
- * La pressione dell'acqua di alimentazione deve essere di almeno 0,5 bar e non superare gli 8 bar. Qualora la pressione superi gli 8 bar, usare una valvola di limitazione della pressione. **NON** agire sul rubinetto dell'acqua.
- * In alcune zone, potrebbe essere richiesta l'assistenza e la certificazione da parte di un idraulico autorizzato.
- * L'acqua di scarico deve confluire in un pozzetto aperto.
- * Lo scarico del distributore è gravitazionale, pertanto assicurarsi che il condotto di scarico sia adeguatamente inclinato o dotato di scolo.
- * Per evitare fenomeni di antiriflusso nella vaschetta di desposito, collocare il tubo di uscita come illustrato in Fig. 3.

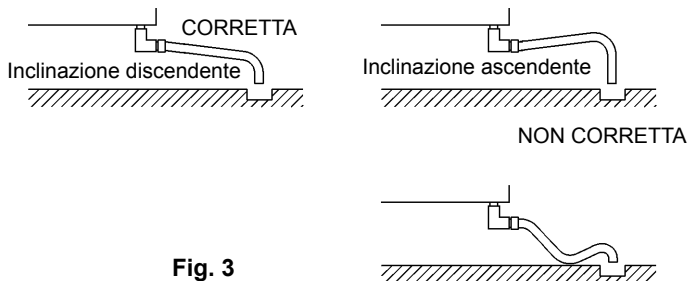


Fig. 3

- 1) Collegare l'estremità ad angolo del flessibile bianco (accessorio) al raccordo G3/4 sul retro del distributore come indicato (Fig. 4), accertandosi che la guarnizione di tenuta sia correttamente posizionata. Avvitare quanto basta a evitare perdite.
- 2) Collegare l'altra estremità del flessibile al rubinetto dell'acqua (Fig. 5), accertandosi che la guarnizione sia correttamente posizionata prima di avvitare la stessa. Si consiglia di tenere una valvola d'arresto a portata di mano.

- 3) Collegare l'attacco 3/4-3/4 (accessorio) al gomito (accessorio) come indicato (Fig. 6). Per ottenere un accoppiamento a tenuta, utilizzare gli appositi ermetici e/o il nastro P.T.F.E.
- 4) Serrare l'attacco 3/4-3/4 e il gomito al raccordo Rc3/4 sul fondo della macchina come indicato (Fig. 4). Per ottenere un accoppiamento a tenuta, utilizzare gli appositi ermetici e/o il nastro P.T.F.E.
- 5) Utilizzare un ermetico per tubi (per PVC) per unire il tubo di uscita con il tubo in PVC (accessorio) al gomito come indicato (Fig. 7). Il tubo può essere tagliato alla lunghezza necessaria per adattarsi alla posizione dello scarico principale.

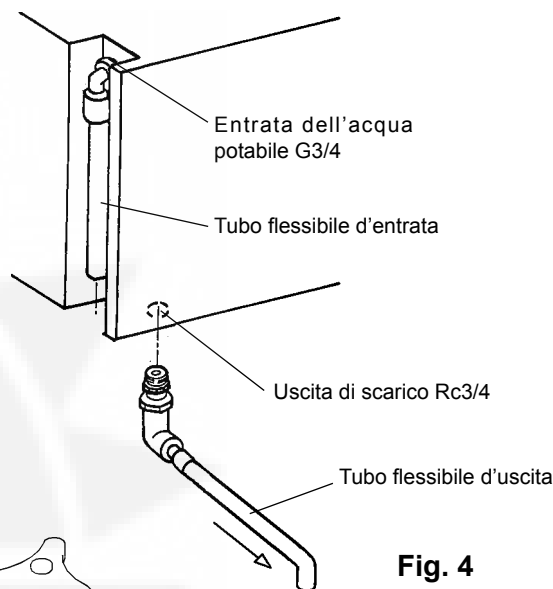


Fig. 4

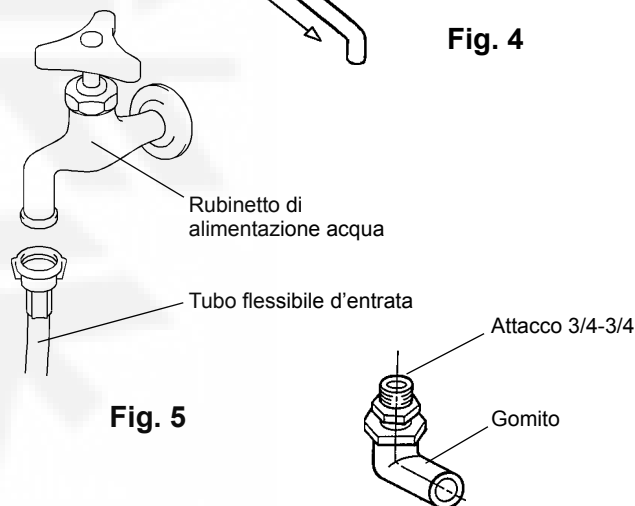


Fig. 5

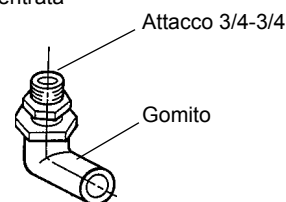


Fig. 6

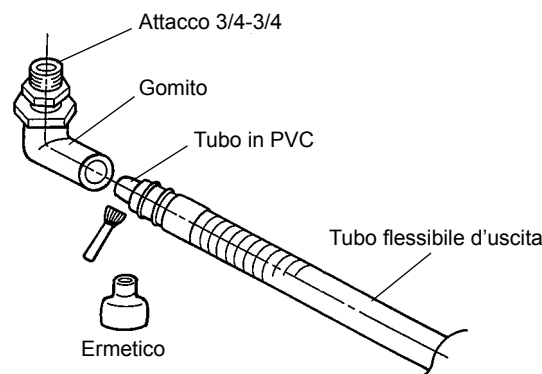


Fig. 7

II. ISTRUZIONI PER L'IMPIEGO

AVVERTENZA

1. Questa macchina è stato progettato per la produzione di ghiaccio ad uso alimentare. Per l'igiene del distributore si consiglia di:
 - * Lavarsi le mani prima di togliere il ghiaccio. Utilizzare la paletta di plastica in dotazione con gli accessori.
 - * La vaschetta di deposito deve essere utilizzata solo per il ghiaccio: non depositarvi altro materiale.
 - * Pulire la vaschetta di deposito prima dell'uso (v. III. 1. Pulizia).
 - * Tenere pulita la paletta di plastica. Pulirla servendosi di un detergente neutro e risciacquare e asciugare.
 - * Dopo aver tolto il ghiaccio, richiudere lo sportello per prevenire l'accumulo di sporcizia, polvere o insetti nella vaschetta di deposito.
2. L'uso di qualunque dispositivo elettrico prevede l'osservanza di alcune regole fondamentali. In particolare:
 - * L'elevata umidità accresce il rischio di corto circuiti e di folgorazione. Nel dubbio, togliere l'alimentazione al distributore.
 - * Non strappare il cavo di alimentazione dalla spina per scollegare il distributore dalla rete.
 - * Questo dispositivo non è adatto all'uso incustodito da parte di bambini, anziani e invalidi.
3. Tutti i componenti sono tarati in fabbrica. Regolazioni improprie possono produrre guasti e anomalie.
4. In caso di spegnimento, attendere almeno 3 minuti prima di riaccendere il distributore, per evitare danni al compressore.

1. IMPIEGO - FUNZIONAMENTO

Al momento dell'installazione, la macchina viene comunemente predisposta per avviare automaticamente la produzione di ghiaccio. Per garantire il funzionamento continuo, assicurarsi che:

- * Il rubinetto dell'acqua sia aperto e
- * Il distributore è collegato alla presa d'alimentazione.

2. PREPARAZIONE DELLA MACCHINA PER LA CONSERVAZIONE PROLUNGATA

- 1) Scollegare il distributore o isolare la presa d'alimentazione.
- 2) Chiudere il rubinetto dell'acqua e togliere il tubo di alimentazione.
- 3) Togliere tutto il ghiaccio dalla vaschetta di deposito.
- 4) Rivolgersi a personale qualificato per far scaricare la macchina.

III. MANUTENZIONE

1. PULIZIA

AVVERTENZA

1. Prima di effettuare qualunque intervento di pulizia o di manutenzione, Scollegare il distributore dalla rete d'alimentazione.
2. Rivolgersi a personale appositamente addestrato per la pulizia e l'igienizzazione del sistema idrico del distributore almeno due volte l'anno; controllare e pulire il condensatore almeno una volta l'anno.
3. Non usare getti d'acqua per pulire il distributore.

[1] Esterno

Pulire le parti esterne con un panno morbido e pulito almeno una volta alla settimana. Servirsi di un panno inumidito con detergente neutro per togliere eventuali residui di grasso o sporcizia.

[2] Pulizia/sterilizzazione della paletta e delle maniglie della vaschetta di deposito (giornaliera)

- 1) Preparare una soluzione di 11 ml di ipoclorito di sodio al 5,25% in 3 litri d'acqua in un contenitore adatto o nello sterilizzatore Hoshizaki come raccomandato e secondo indicazioni.
- 2) Immergere la paletta nella soluzione per almeno 3 minuti. Risciacquare accuratamente e agitarla per rimuovere eventuali residui di soluzione.

Nota: Asciugare la paletta con un panno può ricontaminarla.

- 3) Utilizzare un detergente neutro per lavare le maniglie della vaschetta di deposito. Risciacquare con cura.
- 4) Inumidire un panno pulito con la soluzione sterilizzante e pulire la maniglia. Utilizzare acqua pulita e un panno nuovo per risciacquare e asciugare.

[3] Pulizia e sterilizzazione settimanale della vaschetta di deposito

- 1) Aprire lo sportello della vaschetta di deposito e togliere tutto il ghiaccio presente.
- 2) Lavare il rivestimento della vaschetta e la superficie interna dello sportello usando un detergente neutro non abrasivo. Risciacquare con cura.
- 3) Cospargere un panno pulito di detergente neutro e strofinare su entrambi i lati della rampa di scolo e sulla parte interna dello sportello. Togliere il detergente con un panno umido.

- 4) Preparare una soluzione di 11 ml di ipoclorito di sodio al 5,25% in 3 litri d'acqua in un contenitore adatto o nello sterilizzatore Hoshizaki come raccomandato e secondo indicazioni.

- 5) Imbeverare una spugna o un panno puliti nella soluzione e strofinare all'interno della vaschetta, sullo sportello e sulla rampa di scolo.

- 6) Risciacquare con cura usando acqua pulita e rimuovere i residui di soluzione con un panno pulito. Chiudere lo sportello della vaschetta.

Nota: Alcune soluzioni possono arrecare danni alla superficie interna della vaschetta o la corrosione delle parti metalliche. Risciacquare sempre lo sterilizzatore a meno di specifiche indicazioni contrarie da parte della Hoshizaki.

[4] Filtro dell'aria

Un reticolo di plastica agisce da filtro dell'aria rimuovendo polvere e sporcizia ed evitando che il condensatore si intasi. Quando il filtro si ostruisce, le prestazioni della macchina diminuiscono. Rivolgersi a un centro servizi autorizzato Hoshizaki per la pulizia del filtro nel quadro di un regolare programma di manutenzione. Smontare il filtro dell'aria e pulirlo almeno due volte al mese:

- 1) Togliere il pannello anteriore (C).

Nota: Non mettere le mani all'interno dello spazio occupato dai meccanismi.

- 2) Togliere il filtro dell'aria.
- 3) Pulire il filtro dell'aria servendosi di un aspiratore. In caso di ostruzioni considerevoli lavare il filtro con acqua calda e detergente neutro.
- 4) Risciacquare e asciugare accuratamente il filtro prima di ricollocarlo nella posizione originaria.

[5] Sistema idrico per la produzione del ghiaccio

Per assicurare la perfetta igiene della macchina, effettuare periodicamente la pulizia dell'impianto idrico per la produzione del ghiaccio. Far eseguire sempre gli interventi di pulizia da personale specificamente addestrato.

- Nota: 1. L'uso dell'interruttore di lavaggio sulla centralina deve essere riservato al solo personale di manutenzione.
2. Durante le normali attività di produzione del ghiaccio mantenere l'interruttore di lavaggio in posizione "GHIACCIO".

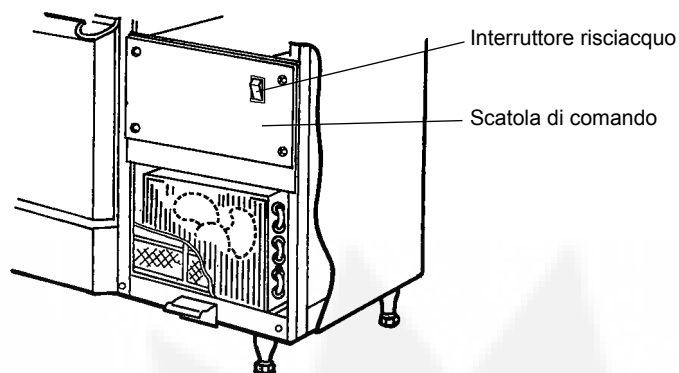


Fig. 8

Spagna/Portogallo - Hoshizaki Iberia
TEL: +34 (0)93 4780952
FAX: +34 (0)93 4780900

Altri paesi - Hoshizaki Europe
TEL: +31 (0)20 6918499 o +44 (0)845 456 0585
FAX: +31 (0)20 6918768 o +44 (0)1462 499080

Resto del mondo

Hoshizaki Singapore
TEL: +65 6225 2612
FAX: +65 6225 3219

Hoshizaki Lancer Pacific
TEL: +61 8 8268 1388
FAX: +61 8 8268 1978

Hoshizaki Suzhou
TEL: +86 512 62807850
FAX: +86 512 62807860

2. DIAGNOSTICA DI PRIMO INTERVENTO

Se il distributore non dovesse funzionare correttamente o non funzionare affatto, prima di rivolgersi a un centro di manutenzione, controllare che:

- * Arrivi corrente all'apparecchio.
- * L'acqua sia aperta.
- * Il filtro dell'aria sia pulito. (Solo per il modello IM-45/LE/65 con raffreddamento ad aria)

Per ulteriore assistenza o suggerimenti, rivolgersi al servizio manutenzione Hoshizaki di zona.

Questo prodotto comprende un sistema frigorifero sigillato che contiene gas a effetto serra fluorizzati coperti dal protocollo di Kyoto:
IM-100CLE **R134a / GWP 1300 / 0.29kg**

3. GARANZIA

Hoshizaki garantisce al proprietario o utente originario che tutti i prodotti con marchio Hoshizaki sono privi di difetti inerenti ai materiali o di costruzione per l'intera durata del "periodo di garanzia". La garanzia avrà validità biennale dalla data d'installazione.

La responsabilità di Hoshizaki secondo le condizioni della garanzia è limitata ed esclude la manutenzione di routine, la pulizia, la manutenzione essenziale e/o le riparazioni che si rendano necessarie in conseguenza di uso scorretto e di installazione non conforme alle indicazioni Hoshizaki.

Le riparazioni in garanzia devono essere eseguite da un rivenditore o da un centro di assistenza autorizzato Hoshizaki, che utilizzino componenti originali Hoshizaki.

Per ottenere informazioni complete in merito alla garanzia e al centro di assistenza autorizzato, si prega di contattare il proprio rivenditore/fornitore di fiducia, oppure l'ufficio Hoshizaki più vicino:

Europa

Regno Unito/Irlanda - Hoshizaki UK
TEL: +44 (0)845 456 0585
FAX: +44 (0)1462 499080

Olanda - Hoshizaki Europe
TEL: +31 (0)20 6918499
FAX: +31 (0)20 6918768

Belgio/Lussemburgo - Hoshizaki Belgium
TEL: +32 (0)2 7123030
FAX: +32 (0)2 7123031

Germania/Svizzera/Austria - Hoshizaki Deutschland
TEL: +49 (0)2154 92810
FAX: +49 (0)2154 928128

Francia - Hoshizaki France
TEL: +33 (0)1 48639380
FAX: +33 (0)1 48639388

DICHIARAZIONE DI CONFORMITÀ CE

Fabbricante: Hoshizaki Europe Ltd.

Indirizzo: Unit A, Stafford Park 18, Telford,
Shropshire TF3 3DJ England

Con la presente si attesta che le macchine sotto elencate da noi prodotte rispondono ai requisiti essenziali di igiene e sicurezza imposti dai seguenti regolamenti della Comunità Europea:

Norme CE: direttiva EMC (89/336/EEC, 92/31/EC, 93/68/EEC,
2004/108/EC)
direttiva sulla bassa tensione (2006/95/EC)

Standard europei di armonizzazione applicati: EN 55014-1 (EMC)
EN 55014-2 (EMC)
EN 61000-3-2 (EMC)
EN 61000-3-3 (EMC)
EN 61000-4-2 (EMC)
EN 61000-4-3 (EMC)
EN 61000-4-4 (EMC)
EN 61000-4-5 (EMC)
EN 61000-4-6 (EMC)
EN 61000-4-11 (EMC)
EN 60335-1 (LVD)
EN 60335-2-24 (LVD)
EN 50366 (EMF)

Marchio CE applicato per la prima volta nel: 2005

Descrizione del prodotto: Distributore di ghiaccio Hoshizaki

Modello/i: IM-100CLE

Nome: Akira Kamiya

Incarico: Amministratore delegato

Questa dichiarazione non sarà da ritenersi valida a seguito di modifiche apportate ai prodotti senza approvazione della Hoshizaki Europe Ltd.