

šēlc\Ö\i\ā  
Ö\ Á\ē\i\ā\^Á\|F  
FGGE\J\Ö\i\ā  
Q\}K\É\J\Á\H\Á\| Á\É\Á\ €\G  
Q\}K\É\J\Á\H\Á\| Á\É\Á\ €\G  
T\ā\i\ā\|O\ā\ē\lc\É\i\ā\É\ā\^  
Q\ē\}\^ā\ā\ , , É\ā\ē\lc\É\i\ā\É\{



# HOSHIZAKI MODULAR CUBER

- MODEL **IM-240DNE**  
**IM-240DNE-C**  
**IM-240DNE-21,-23,-32**  
**IM-240XNE**  
**IM-240XNE-21,-23,-32**

## PARTS LIST

[HE, GENERAL (50Hz) (60Hz), HSP, AUSTRALIA, CHINA, KOREA (60Hz) ]

K-1 JUN. 2010  
A-0 JAN. 2011

## AUXILIARY CODE

U - 1

The auxiliary code is the first two characters in the serial number. The first character indicates the production year. Years progress or regress in alphabetical order. The series of letters and skipped letters depend on UL listing, production, and model. See the auxiliary code(s) and corresponding year(s) on the front cover.

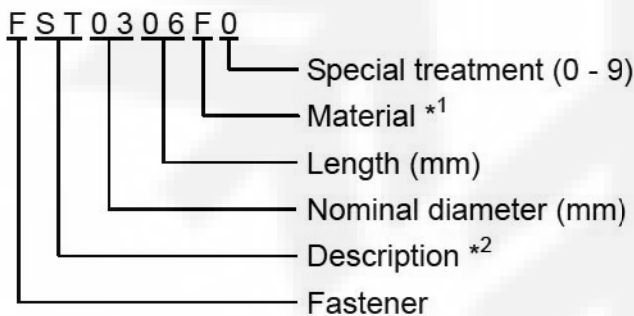
The second character indicates significant part changes within the same year. Base is "1" and this number advances for each change. If there is no significant part change at the turn of the year, this number starts from "0."

## MARKS LOCATED UNDER THE AUXILIARY CODE

- = Part deleted.
- x = Part deleted and replaced by "o" part.
- o = New part in place of "x" part.

## FASTENER PART NUMBER

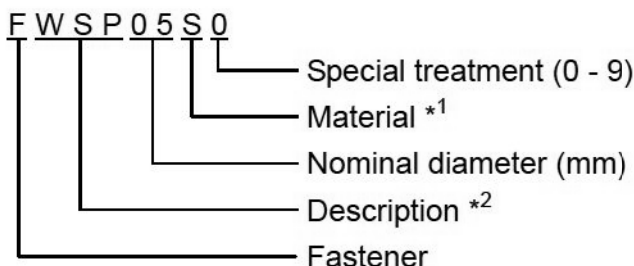
### SCREWS



\*1 Material

- F: Steel
- S: Austenitic stainless steel
- M: Martensitic stainless steel
- B: Copper alloy
- P: Polycarbonate
- N: Polyamide
- V: PVC
- A: ABS
- X: Polyacetal
- L: Aluminum

### NUTS & WASHERS

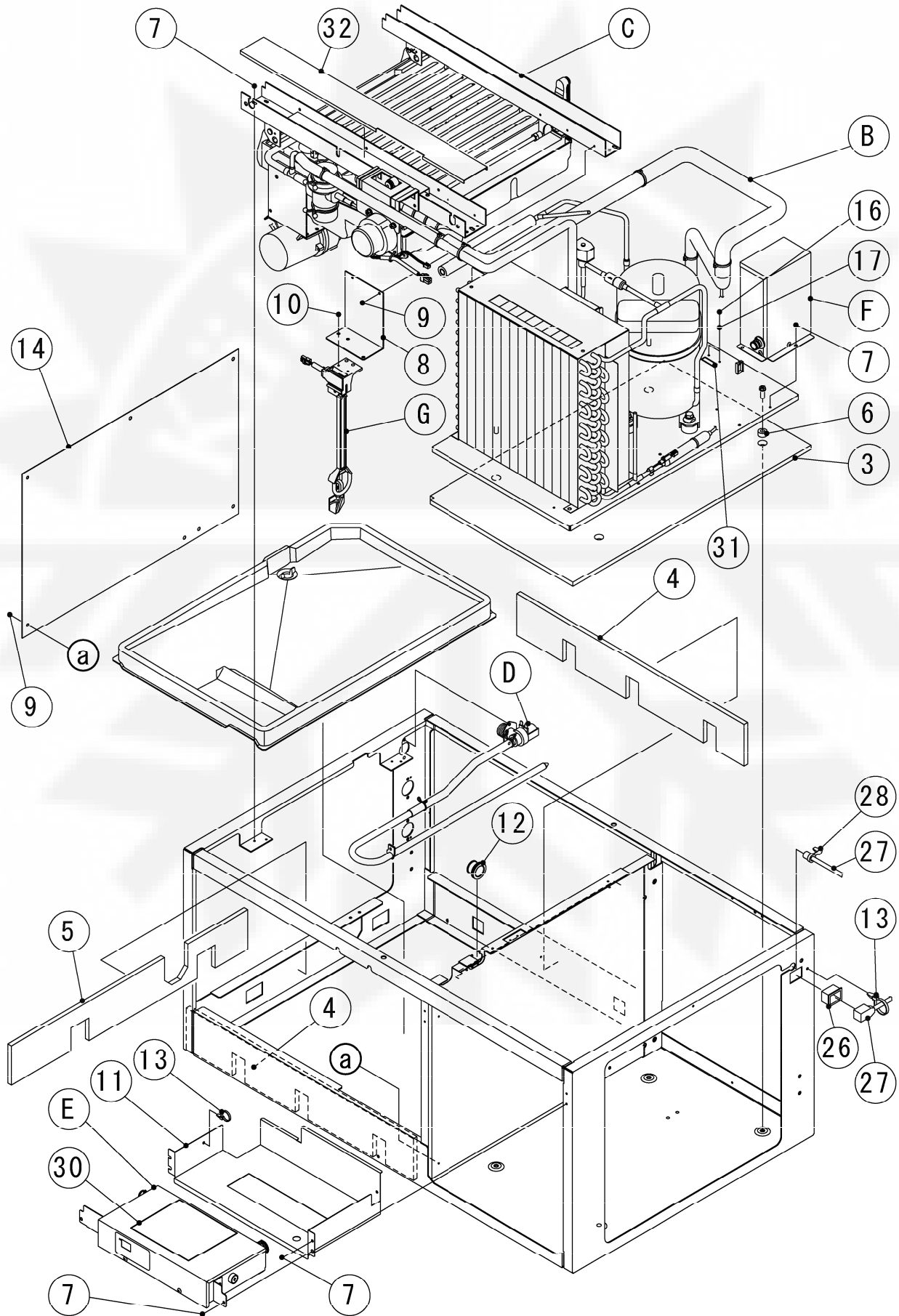


\*2 Description

- First letter
- S: Machine screw
- T: Tapping screw
- M: Wood screw
- B: Bolt
- W: Washer
- N: Nut

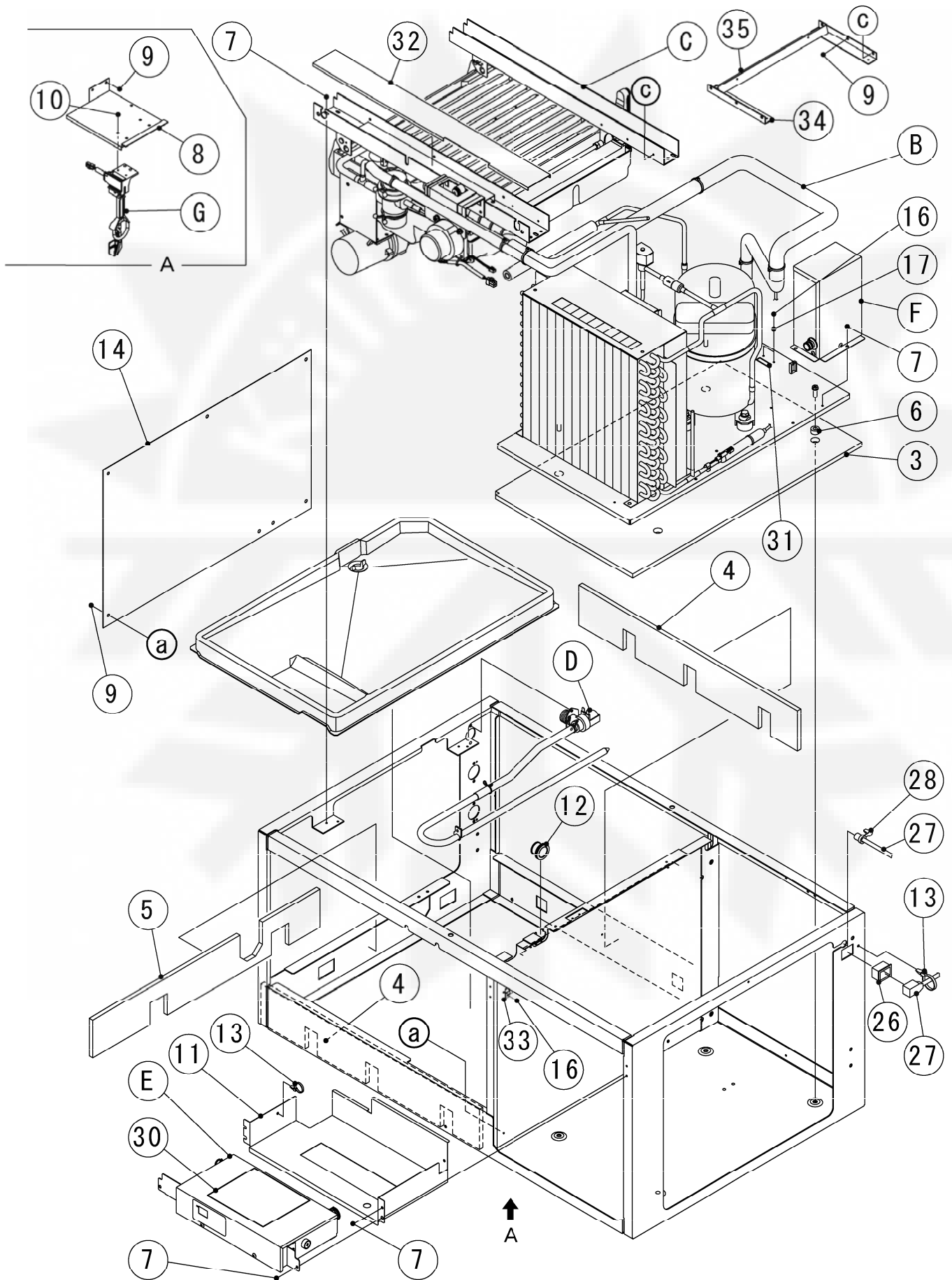
IM-240DNE (-C, -21, -23, -32)

A. ICE CUBER ASSY (1/2) (K-1) and later



IM-240XNE (-21, -23, -32)

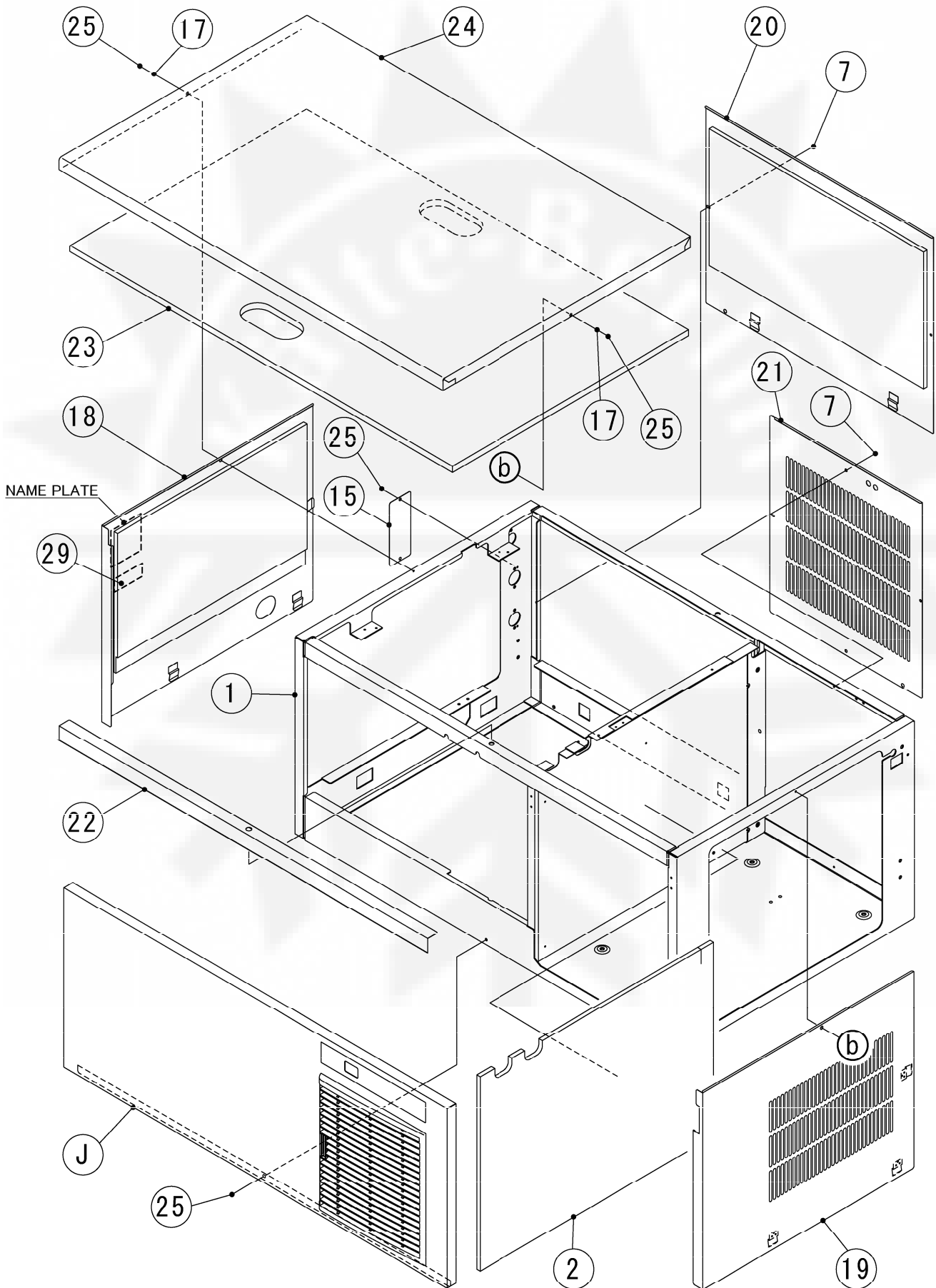
A. ICE CUBER ASSY (1/2) (K-1) and later



IM-240DNE (-C, -21, -23, -32)

IM-240XNE (-21, -23, -32)

A. ICE CUBER ASSY (2/2) (K-1) and later



**HE,GENERAL(50Hz)(60Hz),HSP,AUSTRALIA,CHINA,KOREA(60Hz)**

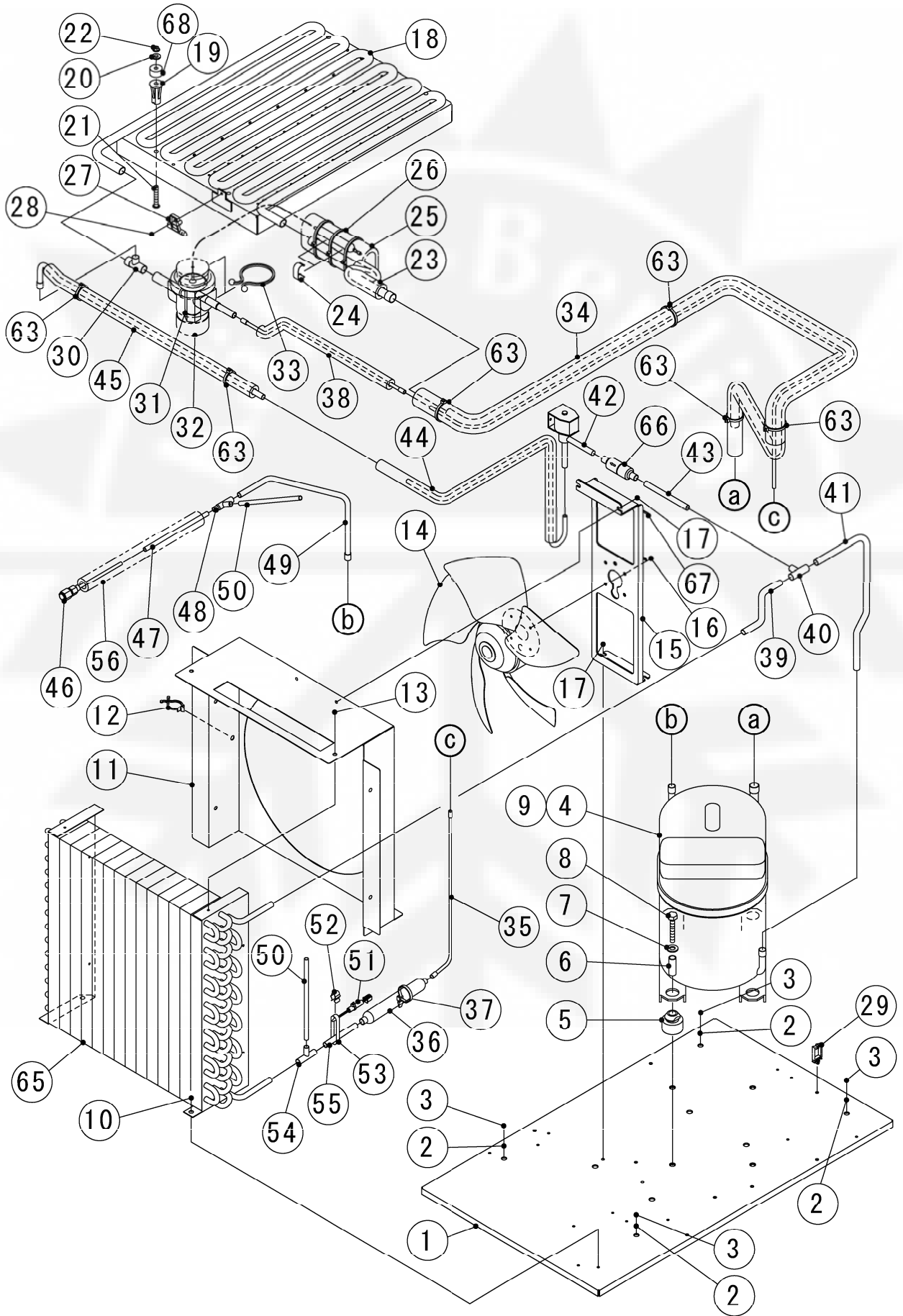
MODEL : IM-240DNE(-C,-21,-23,-32) IM-240XNE(-21,-23,-32)		TITLE : A. ICE CUBER ASSY					
INDEX NO.	DESCRIPTION	MATERIAL OR MODEL NUMBER	PART NUMBER	REQ'D NUMBER			
				K-1 A-0			
B	REFRIGERATION ASSY	(240DNE,XNE)	1H4668A01	1			
		(240DNE-C)	1H4690A01	1			
		(240DNE-21,XNE-21)	1H4668004	1			
		(240DNE-23,XNE-23)	1H4668001	1			
		(240DNE-32,XNE-32)	1H4668002	1			
		(240DNE,XNE KOREA 60Hz GENERAL 60Hz)	1H4668005	1			
		(240DNE-23,XNE-23 KOREA 60Hz GENERAL 60Hz)	1H4668006	1			
		(240DNE-21,XNE-21 KOREA 60Hz GENERAL 60Hz)	1H4668007	1			
C	MECHANISM ASSY	(240DNE,DNE-23, 240XNE,XNE-23)	1H4669A01	1			
		(240DNE-C)	1H4679A01	1			
		(240DNE-21,XNE-21)	1H4669002	1			
		(240DNE-32,XNE-32)	1H4669001	1			
D	WATER CIRCUIT ASSY	-	2H9942A01	1			
E	CONTROL BOX ASSY	(EXCEPT KOREA 60Hz)	2H9968A01	1			
		(KOREA 60Hz)	2H9968002	1			
F	CONTROL BOX B - ASSY	(EXCEPT KOREA 60Hz GENERAL 60Hz)	3Y5105A01	1			
		(KOREA 60Hz GENERAL 60Hz)	3Y5105001	1			
G	BIN SWITCH ASSY	(240DNE,-C,-21,-23,-32)	3Y5222A01	1			
		(240XNE,-21,-23,-32)	3Y5244A01	1			
J	FRONT COVER	(EXCEPT KOREA 60Hz)	2H9946A01	1			
	FRONT COVER ASSY	(KOREA 60Hz)	3Y5696A01	1			
1	UNIT FRAME	-	1H4667G01	1			
2	INSULATION - SEPARATOR	-	3Y5008P01	1			
3	INSULATION - CHASSIS	-	4Y6574P01	1			
4	INSULATION - FRAME	-	4Y5945P01	2			
5	INSULATION - SIDEFAME L	-	4Y5944P01	1			
6	COLLAR	-	4H8163-01	4			
7	FLANGE BOLT (S-TITE)	-	FTR0408M0	18			
8	BRACKET - BIN CONTROL SWITCH	(240DNE,-C,-21,-23,-32)	4Y5951M01	1			
		(240XNE,-21,-23,-32)	4Y5943M01	1			

**HE,GENERAL(50Hz)(60Hz),HSP,AUSTRALIA,CHINA,KOREA(60Hz)**

MODEL : IM-240DNE(-C,-21,-23,-32) IM-240XNE(-21,-23,-32)		TITLE : A. ICE CUBER ASSY					
INDEX NO.	DESCRIPTION	MATERIAL OR MODEL NUMBER	PART NUMBER	REQ'D NUMBER			
				K-1 A-0			
9	TRUSS HEAD TAPPING SCREW T2	(240DNE,-C,-21,-23,-32)	FT20408S0	7			
		(240XNE,-21,-23,-32)		13			
10	TRUSS HEAD TAPPING SCREW T2	-	FT20412S0	2			
11	UNIT BOX	-	2H9970M01	1			
12	GROMMET	-	4H2568-01	1			
13	PUSH MOUNT TIE	T30RSF	436156-01	2			
14	PROTECTOR - SEPARATOR	-	3Y4267P01	1			
15	PLATE	-	4Y2479-01	1			
16	TRUSS HEAD MACHINE SCREW	(240DNE,-C,-21,-23,-32)	FST0408S0	2			
		(240XNE,-21,-23,-32)		3			
17	SPRING WASHER	-	FWSP04S0	4			
18	SIDE PANEL - L	-	3Y5012G01	1			
19	SIDE PANEL - R	-	3Y5013G01	1			
20	REAR PANEL	-	3Y5016G01	1			
21	REAR PANEL R	-	3Y5018M01	1			
22	HOOK - TOP PANEL	-	3Y5019M01	1			
23	INSULATION - TOP PANEL	(240DNE,-C,-21,-23,-32)	3H9603-01	1			
24	TOPPANEL	(240DNE,-C,-21,-23,-32)	1H4725M01	1			
25	TRUSS HEAD TAPPING SCREW (S-TITE)	-	FTS0408M0	5			
26	CONNECTOR	-	P00246-01	1			
27	POWER CORD	(CONTINENTAL)	P00243-01	1			
	POWER CORD	(UK)	P00244-01	1			
	POWER CORD	(AUSTRALIA)	452998-01	1			
	POWER CORD	(CHINA)	P02215-01				
28	BUSHING	(AUSTRALIA)	450414-01	1			
29	LABEL - COMMERCIAL	(CHINA)	475135L01	1			
30	WIRING LABEL	-	3Y5103L01	1			
31	LABEL - GROUND	-	451712-01	1			
32	GUIDE - CONNECTOR	-	312762-01	1			
33	CLAMP	(240XNE,-21,-23,-32)	418814-06	1			
34	PLATE-ICE SHOOT	(240XNE,-21,-23,-32)	426048-01	2			
35	BRACKET	(240XNE,-21,-23,-32)	426049-01	1			

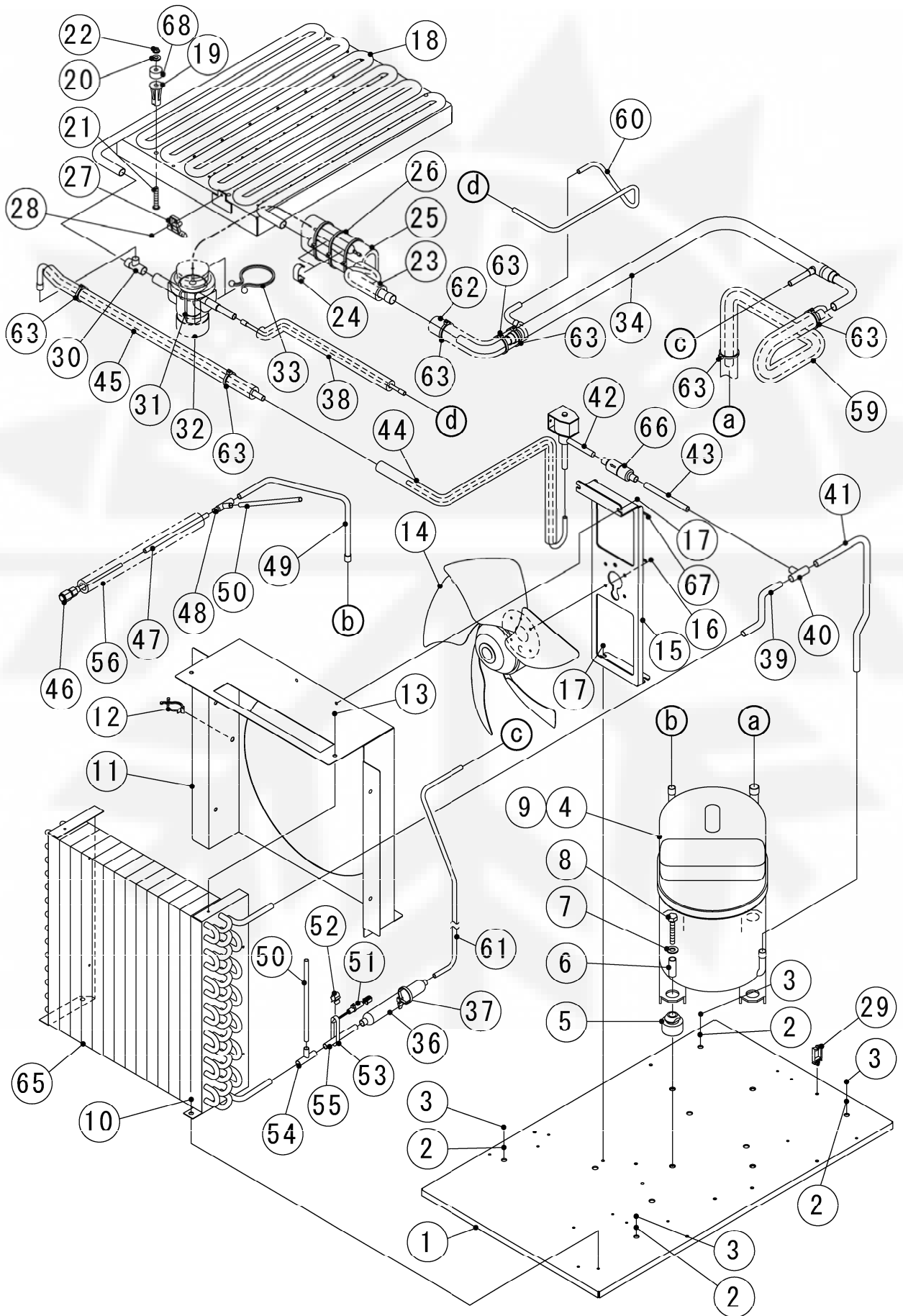
HE, GENERAL (50Hz), HSP, AUSTRALIA, CHINA  
 IM-240DNE (-21, -23, -32)  
 IM-240XNE (-21, -23, -32)

B. REFRIGERATION ASSY (K-1) and later

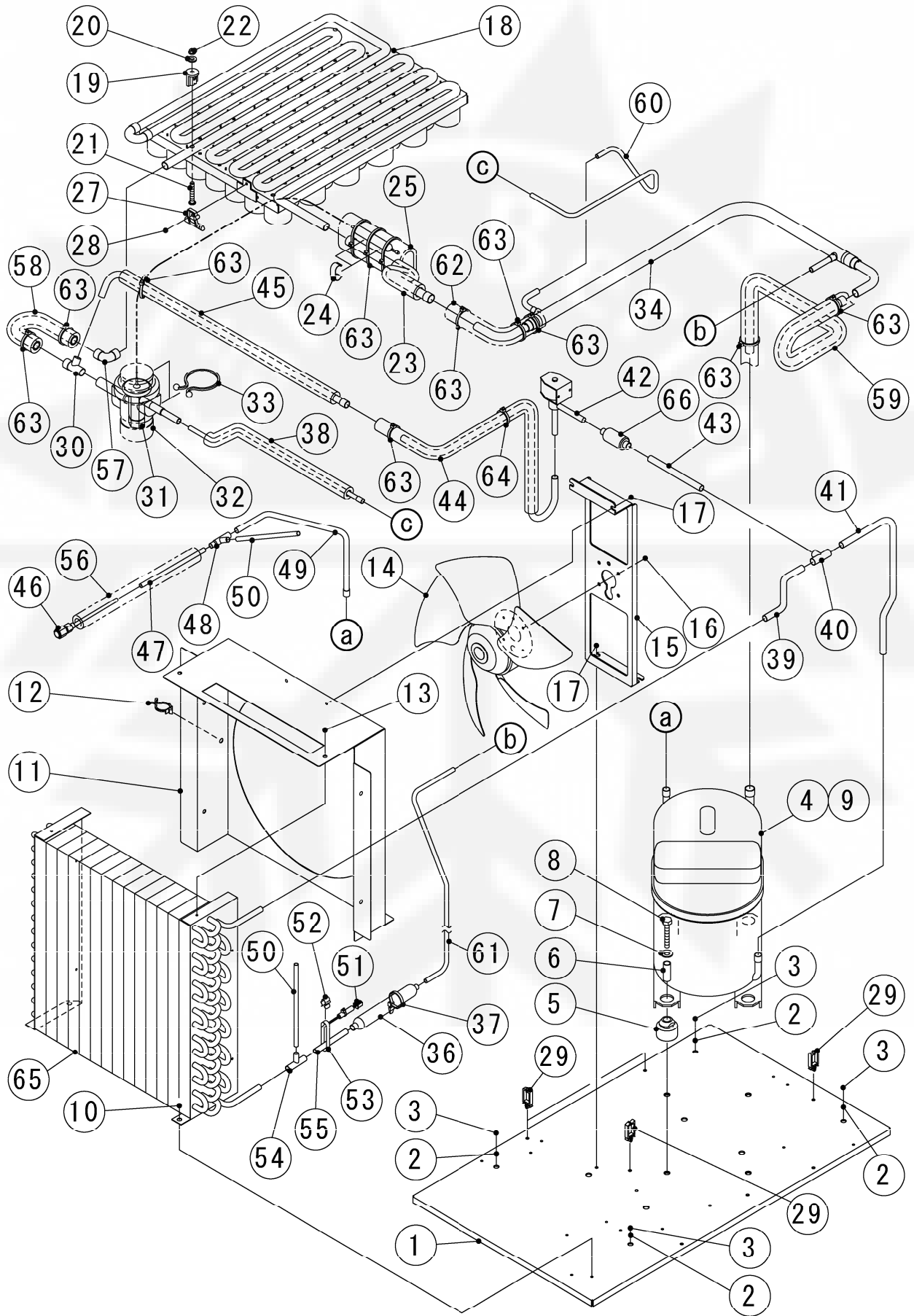


GENERAL (60Hz), KOREA (60Hz)  
 IM-240DNE (-21, -23, -32)  
 IM-240XNE (-21, -23, -32)

B. REFRIGERATION ASSY (K-1) and later



IM-240DNE-C B. REFRIGERATION ASSY (K-1) and later



**HE,GENERAL(50Hz)(60Hz),HSP,AUSTRALIA,CHINA,KOREA(60Hz)**

MODEL : IM-240DNE(-C,-21,-23,-32) IM-240XNE(-21,-23,-32)		TITLE : B. REFRIGERATION ASSY					
INDEX NO.	DESCRIPTION	MATERIAL OR MODEL NUMBER	PART NUMBER	REQ'D NUMBER			
				K-1 A-0			
1	BASE	-	3Y5023G01	1			
2	FLAT WASHER	-	FWPL06N0	4			
3	HEX HEAD BOLT	-	FBH0620S0	4			
4	COMPRESSOR	RS80C1E-CAZ-219 (EXCEPT KOREA 60Hz GENERAL 60Hz)	4A1581-01	1			
		(KOREA 60Hz GENERAL 60Hz)	4A1322-01	1			
5	GROMMET	-	434922-02	4			
6	SPACER	-	434921-01	4			
7	FLAT WASHER	-	FWPL08F0	4			
8	HEX HEAD BOLT	-	FBH0845S0	4			
9	MOTOR PROTECTOR	(EXCEPT KOREA 60Hz GENERAL 60Hz)	4A1581F01	1			
10	FLANGE BOLT (S-TITE)	-	FTR0408M0	2			
11	SHROUD	-	2H9947M01	1			
12	CLAMP	No.2674	427902-02	1			
13	TRUSS HEAD TAPPING SCREW T2	-	FT20408F0	6			
14	FAN MOTOR	A4E300-AP26-01	P01864-01	1			
15	BRACKET - FM	-	3Y5075M01	1			
16	HEX HEAD BOLT (SPRING WASHER AND FLAT WASHER)	-	FBK0408F0	5			
17	HEX HEAD BOLT (SPRING WASHER AND FLAT WASHER)	-	FBK0508F0	4			
18	EVAPORATOR	(240DNE,XNE)	2H7526G02	1			
		(240DNE-C)	2H9949G01	1			
		(240DNE-21,XNE-21)	208205G04	1			
		(240DNE-23,XNE-23)	2H1833G03	1			
		(240DNE-32,XNE-32)	2H3631G02	1			
19	COLLAR	(EXCEPT 240DNE-C)	3H3879-01	4			
	SPACER	(240DNE-C)	4H0471-01	4			
20	WASHER	-	4H0777-01	4			
21	SCREW EVAPORATOR	(240DNE,DNE-32, 240XNE,XNE-32)	4Y4922M02	4			
		(240DNE-C)	4Y4922M01	4			
		240DNE-21,-23, 240XNE-21,-23	4Y4922M03	4			
22	FLANGE NUT	-	FNHF06S0	4			
23	PIPE(B) - LOW SIDE	-	4Y6625G01	1			
24	CLIP	-	452254-02	2			
25	INSULATION	-	4X8643-01	1			

**HE,GENERAL(50Hz)(60Hz),HSP,AUSTRALIA,CHINA,KOREA(60Hz)**

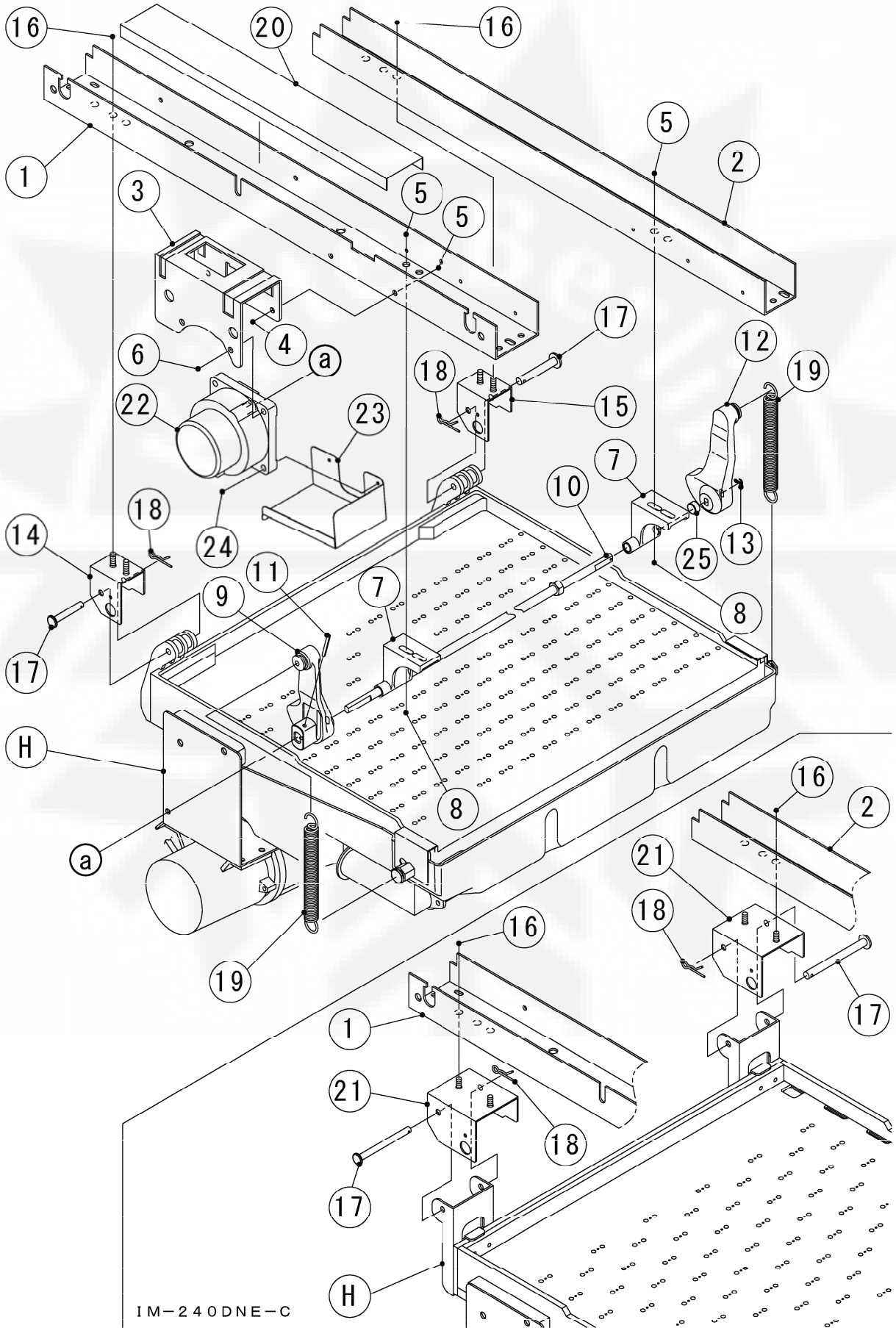
MODEL : IM-240DNE(-C,-21,-23,-32) IM-240XNE(-21,-23,-32)		TITLE : B. REFRIGERATION ASSY					
INDEX NO.	DESCRIPTION	MATERIAL OR MODEL NUMBER	PART NUMBER	REQ'D NUMBER			
				K-1 A-0			
26	NYLON TIE	(240DNE)	7920-0002	3			
27	HOLDER - THERMISTOR	-	3H9642-01	1			
28	TRUSS HEAD TAPPING SCREW (S-TITE)	-	FTS0408M0	1			
29	WIRE SADDLE	-	428060-02	1			
30	TEE	-	430608-01	1			
31	EXPANSION VALVE	FRE-10NHD-3	P01874-01	1			
32	VALVE COVER	-	3Y3051P01	1			
33	CLAMP	18T6	P00752-01	2			
34	HEAT EXCHANGER	(EXCEPT 240DNE-C KOREA 60Hz GENERAL 60Hz)	2X0035G01	1			
		(240DNE-C KOREA 60Hz GENERAL 60Hz)	3Y3207G01	1			
35	PIPE(C-2) - HIGH SIDE	(EXCEPT 240DNE-C KOREA 60Hz GENERAL 60Hz)	4Y6694M01	1			
36	DRIER	DY-15QHD-13	458776-01	1			
37	PUSH MOUNT TIE	T30RSF	436156-01	1			
38	PIPE(C) - HIGH SIDE	(EXCEPT 240DNE-C)	3Y5067G01	1			
		(240DNE-C)	3Y5074G01	1			
39	PIPE(B) - HIGH SIDE	-	4Y6691M01	1			
40	TEE	(EXCEPT 240DNE-C)	420041-09	1			
		(240DNE-C)	417394-02	1			
41	PIPE(A) - HIGH SIDE	-	4Y6693M01	1			
42	HOT GAS VALVE	ATS-7S23HD-1	P01871-01	1			
43	PIPE(A) - HOT GAS	(EXCEPT 240DNE-C)	4Y6692M01	1			
		(240DNE-C)	4Y6626M02	1			
44	PIPE(B) - HOT GAS	(EXCEPT 240DNE-C)	3Y5135G01	1			
		(240DNE-C)	3Y5150G01	1			
45	PIPE(C) - HOT GAS	(EXCEPT 240DNE-C)	3Y5069G01	1			
		(240DNE-C)	3Y5073G01	1			
46	ACCESS VALVE	-	455119-01	1			
47	PIPE(B) - PROCESS	-	4Y6621M01	1			
48	TEE	-	420041-03	1			
49	PIPE(A) - PROCESS	-	4Y6651M01	1			
50	PROCESS TUBE	-	4Y0273-01	2			
51	THERMISTOR(G) - FILTER	-	4Y4859G01	1			
52	CLIP - THERMISTOR	-	4R2938-01	1			



IM-240DNE (-C, -21, -23, -32)  
IM-240XNE (-21, -23, -32)

C. MECHANISM ASSY

(K-1) and later

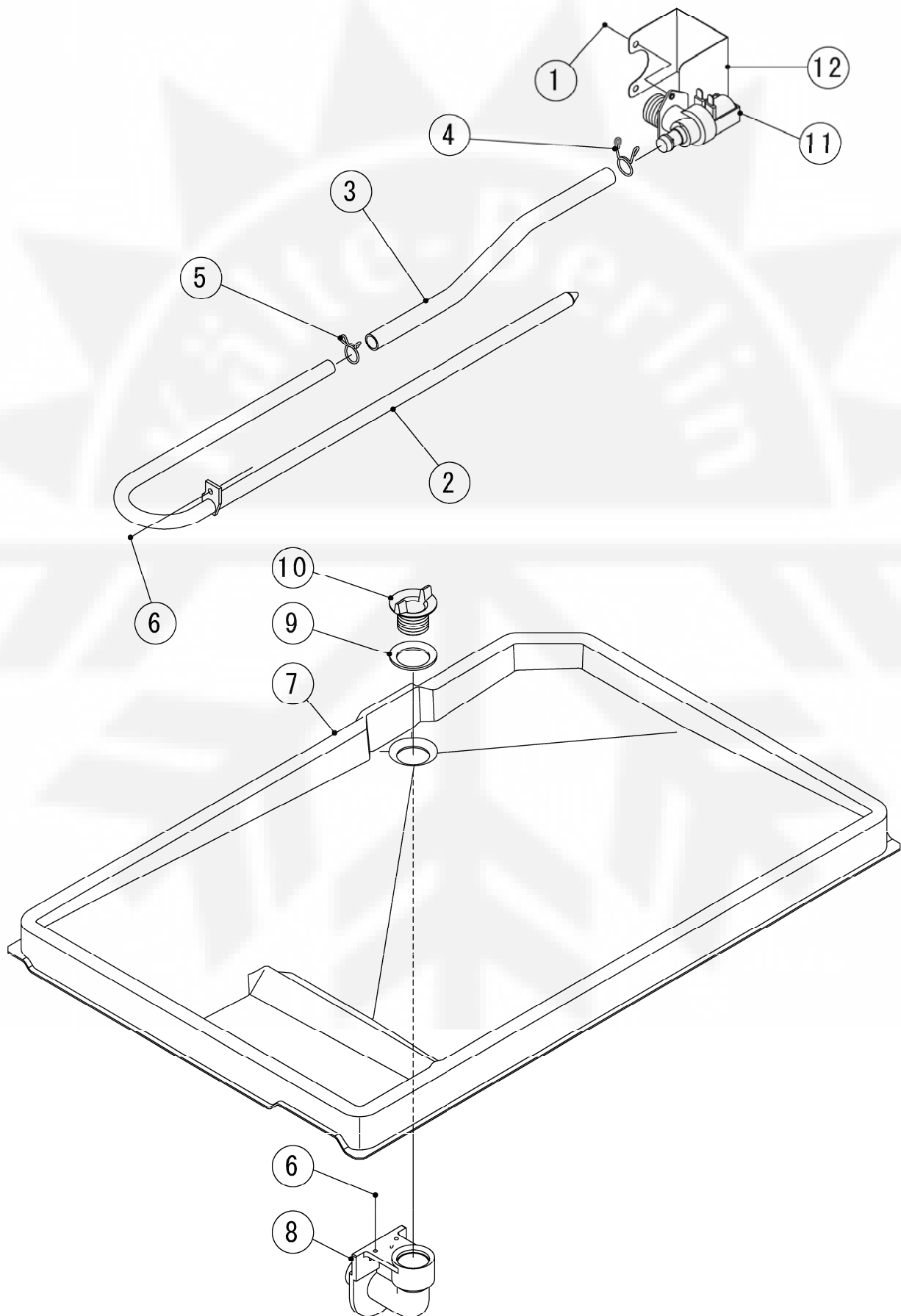


**HE,GENERAL(50Hz)(60Hz),HSP,AUSTRALIA,CHINA,KOREA(60Hz)**

MODEL : IM-240DNE(-C,-21,-23,-32) IM-240XNE(-21,-23,-32)		TITLE : C. MECHANISM ASSY					
INDEX NO.	DESCRIPTION	MATERIAL OR MODEL NUMBER	PART NUMBER	REQ'D NUMBER			
				K-1 A-0			
H	WATER PAN ASSY	(240DNE,DNE-23, 240XNE,XNE-23)	1H4689A01	1			
		(240DNE-C)	1H4680A01	1			
		(240DNE-21,XNE-21)	1H4689002	1			
		(240DNE-32,XNE-32)	1H4689001	1			
1	FRONT FRAME	-	3Y5020M01	1			
2	REAR FRAME	-	3Y5021M01	1			
3	BRACKET - AM	-	3Y2924M01	1			
4	TRUSS HEAD MACHINE SCREW	-	FST0512S0	2			
5	FLANGE NUT	-	FNHF05S0	6			
6	HEX HEAD BOLT (SPRING WASHER AND FLAT WASHER)	-	FBK0620S0	2			
7	BEARING - CAM SHAFT	-	3X8307-01	2			
8	TRUSS HEAD MACHINE SCREW	-	FST0516S0	4			
9	CAM(A)	-	306543G03	1			
10	CAM SHAFT	-	425511G01	1			
11	SPRING PIN 3*28	-	712S-0328	1			
12	CAM (B)	-	315775-01	1			
13	COTTER PIN	-	711S-0212	1			
14	BEARING PLATE	(EXCEPT 240DNE-C)	3H1440G01	1			
15	BEARING PLATE	(EXCEPT 240DNE-C)	3H1440G02	1			
16	FLANGE NUT	-	FNHF06S0	4			
17	SHAFT (B)	(EXCEPT 240DNE-C)	4H1184-02	2			
	SHAFT (A)	(240DNE-C)	4H1184-01	2			
18	SNAP PIN	-	715S-0006	2			
19	EXTEN SPRING	-	4H3473-01	2			
20	GUIDE - CONNECTOR	-	4H5619-01	1			
21	BEARING - WATER PAN	(240DNE-C)	3Y5036G01	2			
22	ACTUATOR MOTOR	-	P01869-01	1			
23	COVER-AM	-	3Y5292M01	1			
24	HEX HEAD BOLT (SPRING WASHER AND FLAT WASHER)	-	FBK0416S0	2			
25	COLLAR	(240DNE-21,-32 240XNE-21,-32)	429124-01	1			

IM-240DNE (-C, -21, -23, -32)  
IM-240XNE (-21, -23, -32)

D. WATER CIRCUIT ASSY (K-1) and later

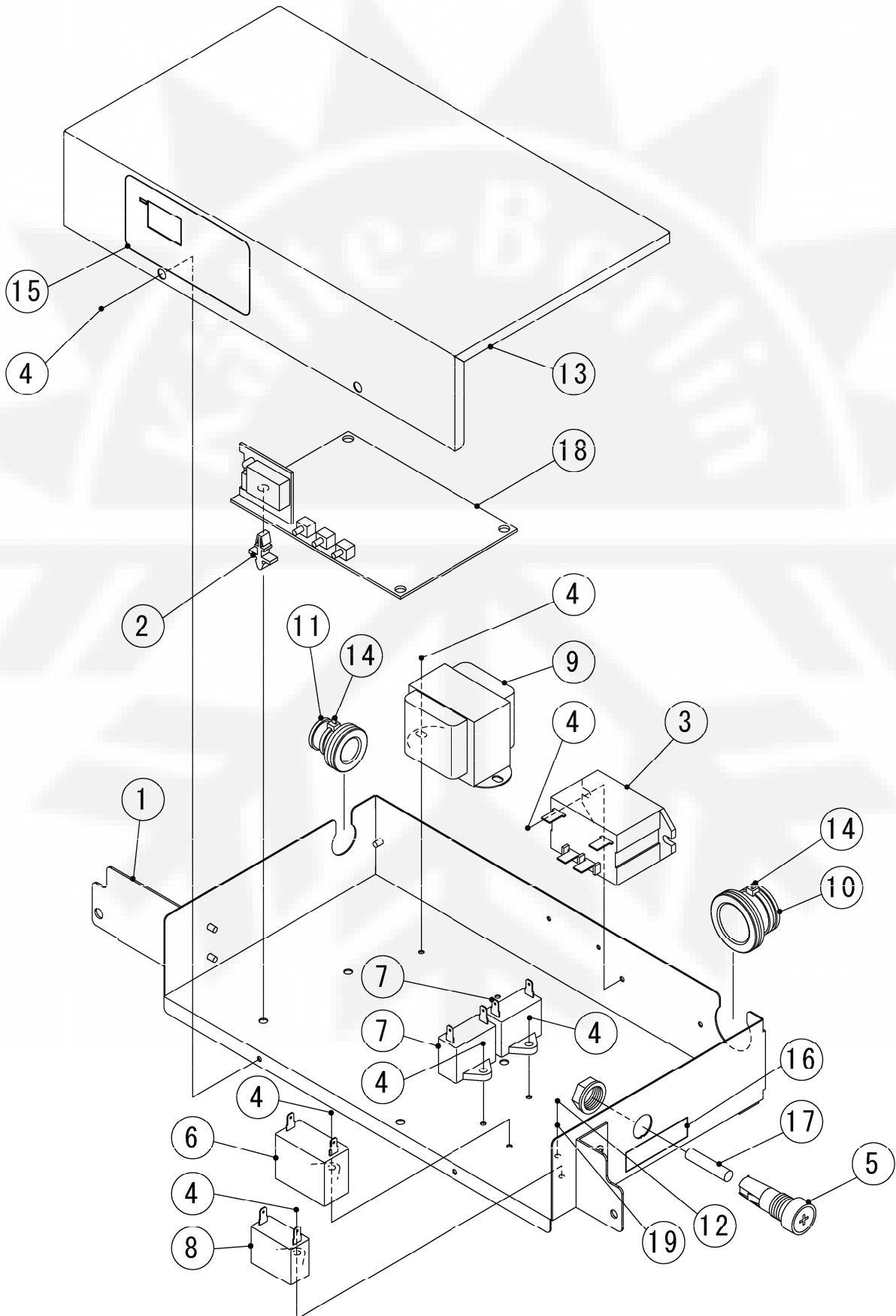




IM-240DNE (-C, -21, -23, -32)  
IM-240XNE (-21, -23, -32)

### E. CONTROL BOX ASSY

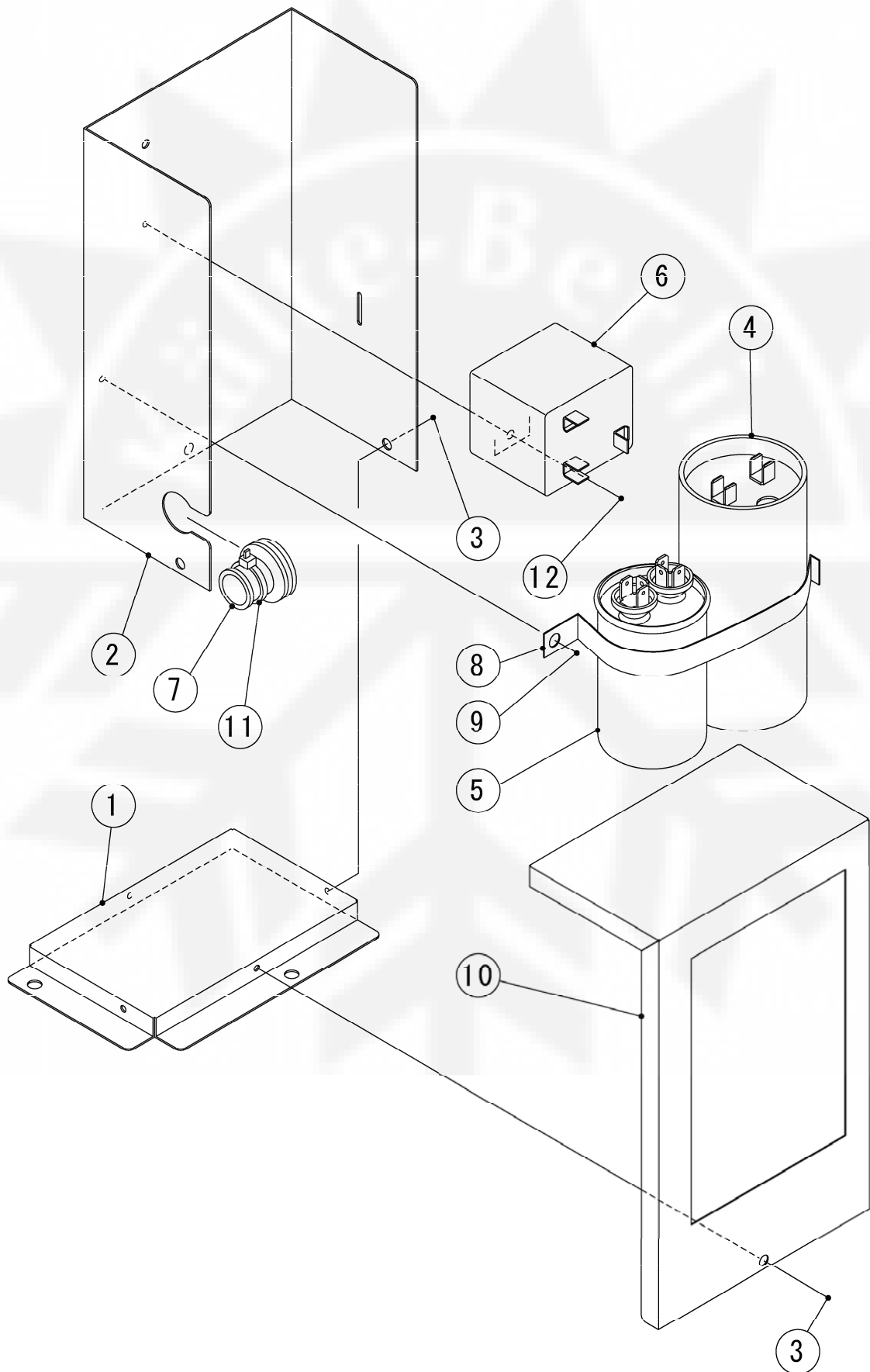
(K-1) and later





IM-240DNE (-C, -21, -23, -32)  
IM-240XNE (-21, -23, -32)

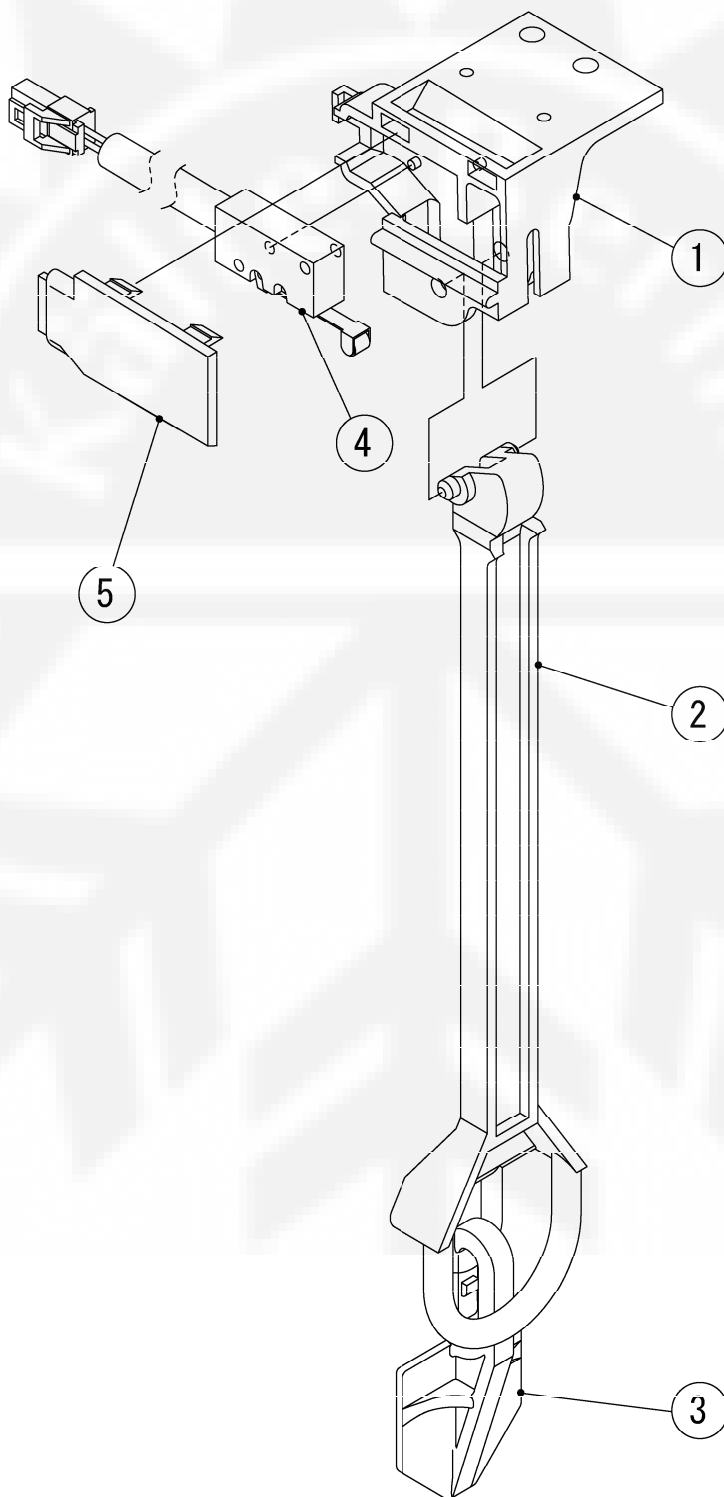
F. CONTROL BOX B-ASSY (K-1) and later





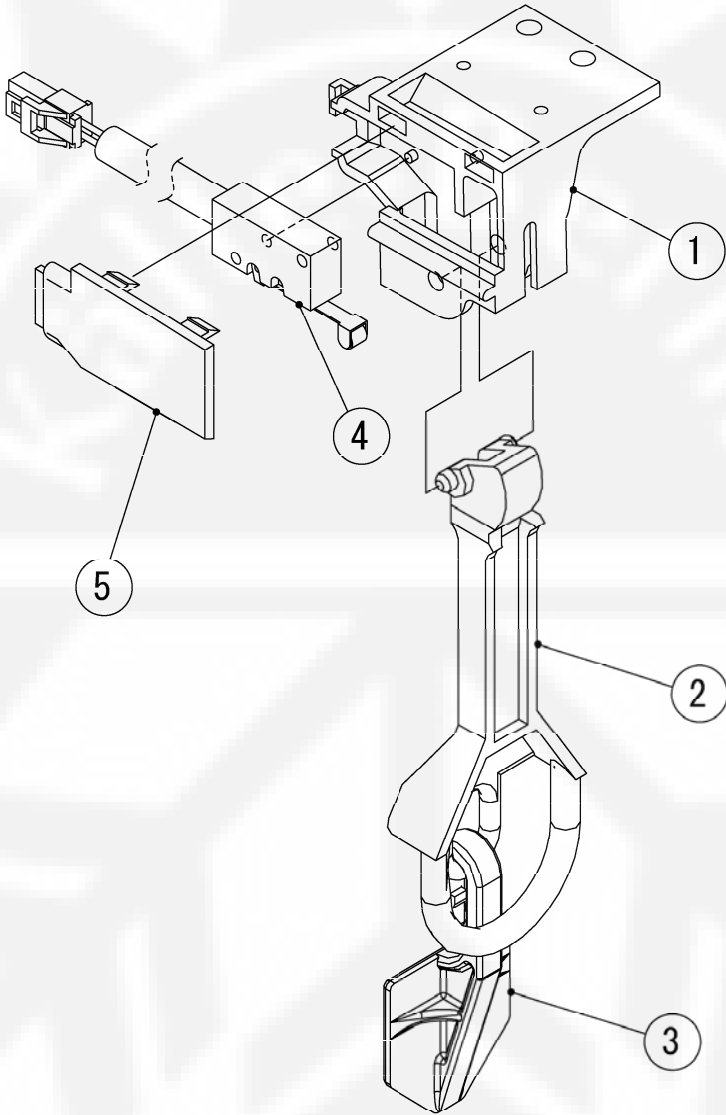
G. BIN SWITCH ASSY

(K-1) and later



G. BIN SWITCH ASSY

(K-1) and later

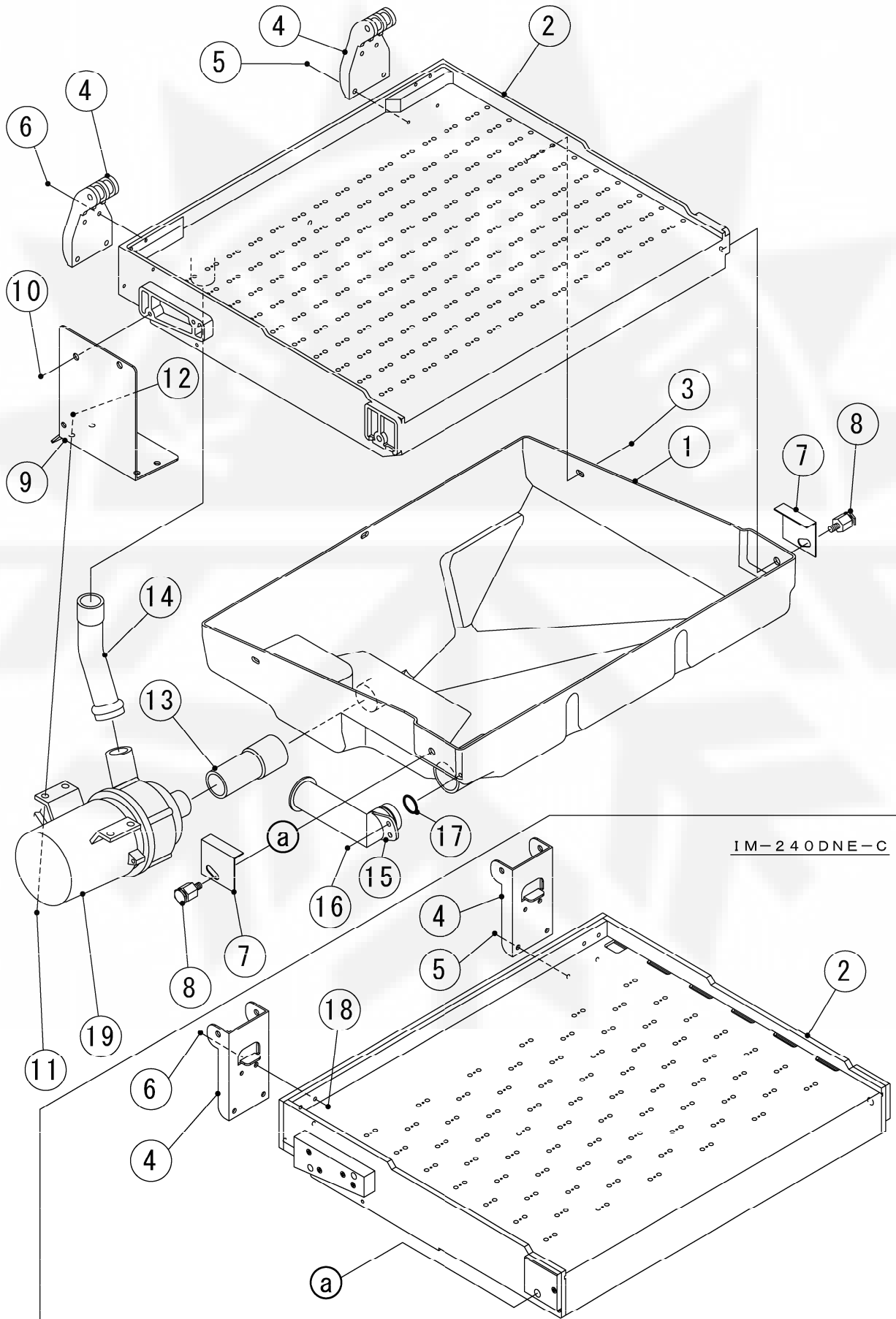




IM-240DNE (-C, -21, -23, -32)  
IM-240XNE (-21, -23, -32)

### H. WATER PAN ASSY

(K-1) and later



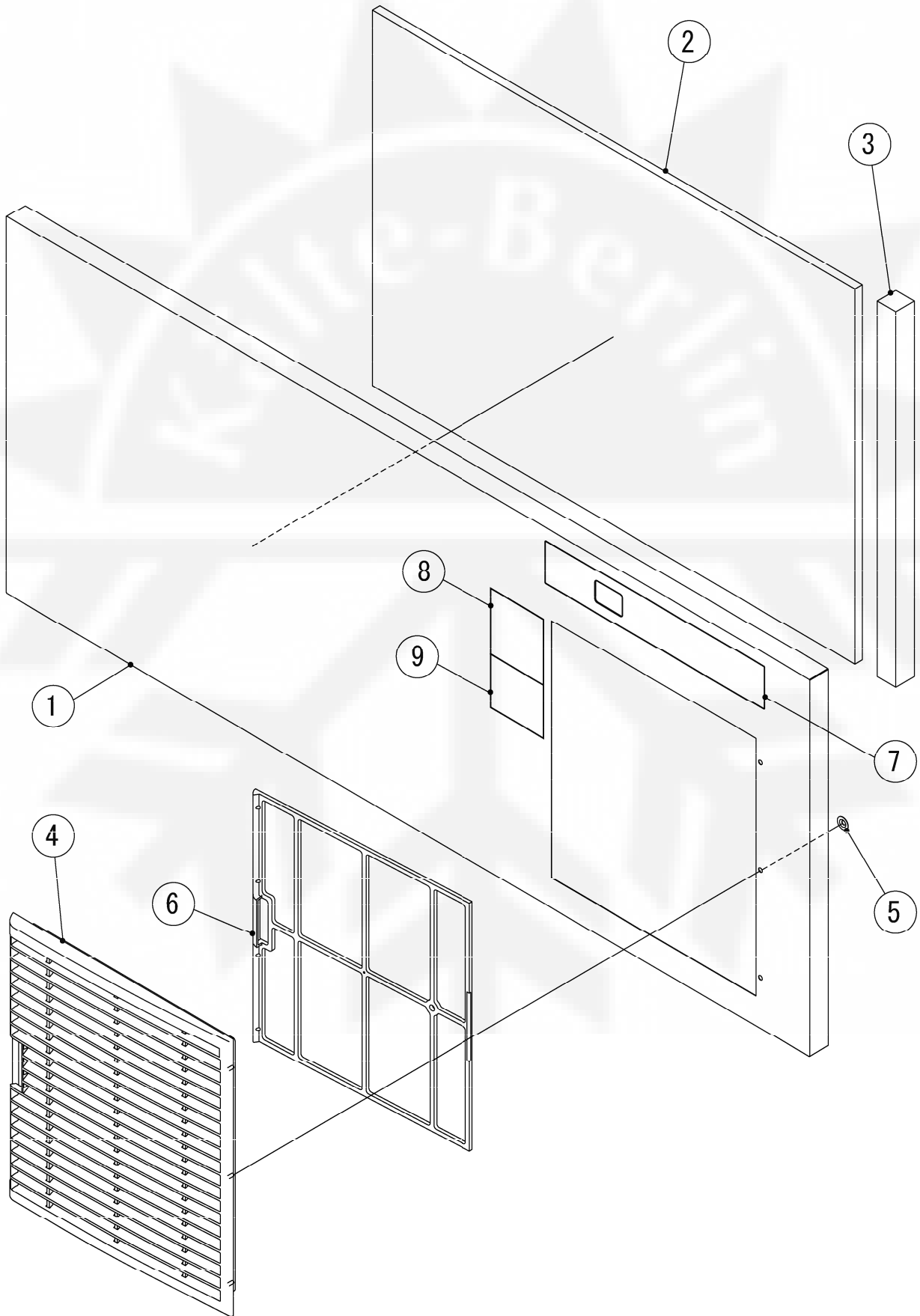
**HE,GENERAL(50Hz)(60Hz),HSP,AUSTRALIA,CHINA,KOREA(60Hz)**

MODEL : IM-240DNE(-C,-21,-23,-32) IM-240XNE(-21,-23,-32)		TITLE : H. WATER PAN ASSY					
INDEX NO.	DESCRIPTION	MATERIAL OR MODEL NUMBER	PART NUMBER	REQ'D NUMBER			
				K-1 A-0			
1	WATER PAN	-	1H0888-02	1			
2	WATER PLATE	(240DNE,DNE-23, 240XNE,XNE-23)	208020G01	1			
		(240DNE-21, XNE-21)	208484G01	1			
		(240DNE-32, XNE-32)	1H0351G01				
		(240DNE-C)	1H4700G01	1			
3	TRUSS HEAD TAPPING SCREW T2	(240DNE,DNE-23 240XNE,XNE-23 240DNE-C)	FT20406M0	3			
4	WATER PAN HANGER	(EXCEPT 240DNE-C)	3H2059-01	2			
	BRACKET - WATER PAN	(240DNE-C)	4Y6595M01	2			
5	TRUSS HEAD TAPPING SCREW T2	(240DNE,DNE-23, 240XNE,XNE-23)	FT20416M0	4			
	TRUSS HEAD MACHINE SCREW	(240DNE-21,-32 240XNE-21,-32 240DNE-C)	FST0420S0	4			
6	TRUSS HEAD TAPPING SCREW T2	(240DNE,DNE-23, 240XNE,XNE-23)	FT20425M0	4			
	TRUSS HEAD MACHINE SCREW	(240DNE-21,-32 240XNE-21,-32 240DNE-C)	FST0425S0	4			
7	BRACKET	-	402957-01	2			
8	SCREW SPRING HOOK	-	4H2582G01	2			
9	BRACKET - PUMP	-	4Y6617M01	1			
10	TRUSS HEAD TAPPING SCREW T2	(240DNE,DNE-23, 240XNE,XNE-23)	FT20516M0	2			
	TRUSS HEAD MACHINE SCREW	(240DNE-21,-32 240XNE-21,-32 240DNE-C)	FST0516S0	2			
11	HEX HEAD BOLT (SPRING WASHER AND FLAT WASHER)	-	FBK0412S0	4			
12	FLANGE NUT	-	FNHF04S0	4			
13	SUCTION TUBE	-	4Y6641R01	1			
14	DISCHARGE TUBE	-	4Y6642R01	1			
15	PIPE - DRAIN	-	315530-01	1			
16	TRUSS HEAD MACHINE SCREW	-	FST0410S0	1			
17	O-RING	-	7611-G025	1			
18	NUT	(240DNE-21,-32 240XNE-21,-32 240DNE-C)	FNH104S0	4			
19	PUMP MOTOR	-	P01868-01	1			
20	TRUSS HEAD MACHINE SCREW	(240DNE-21,-32 240XNE-21,-32)	FST0408S0	3			

IM-240DNE (-C, -21, -23, -32)  
IM-240XNE (-21, -23, -32)

### J. FRONT COVER

(K-1) and later

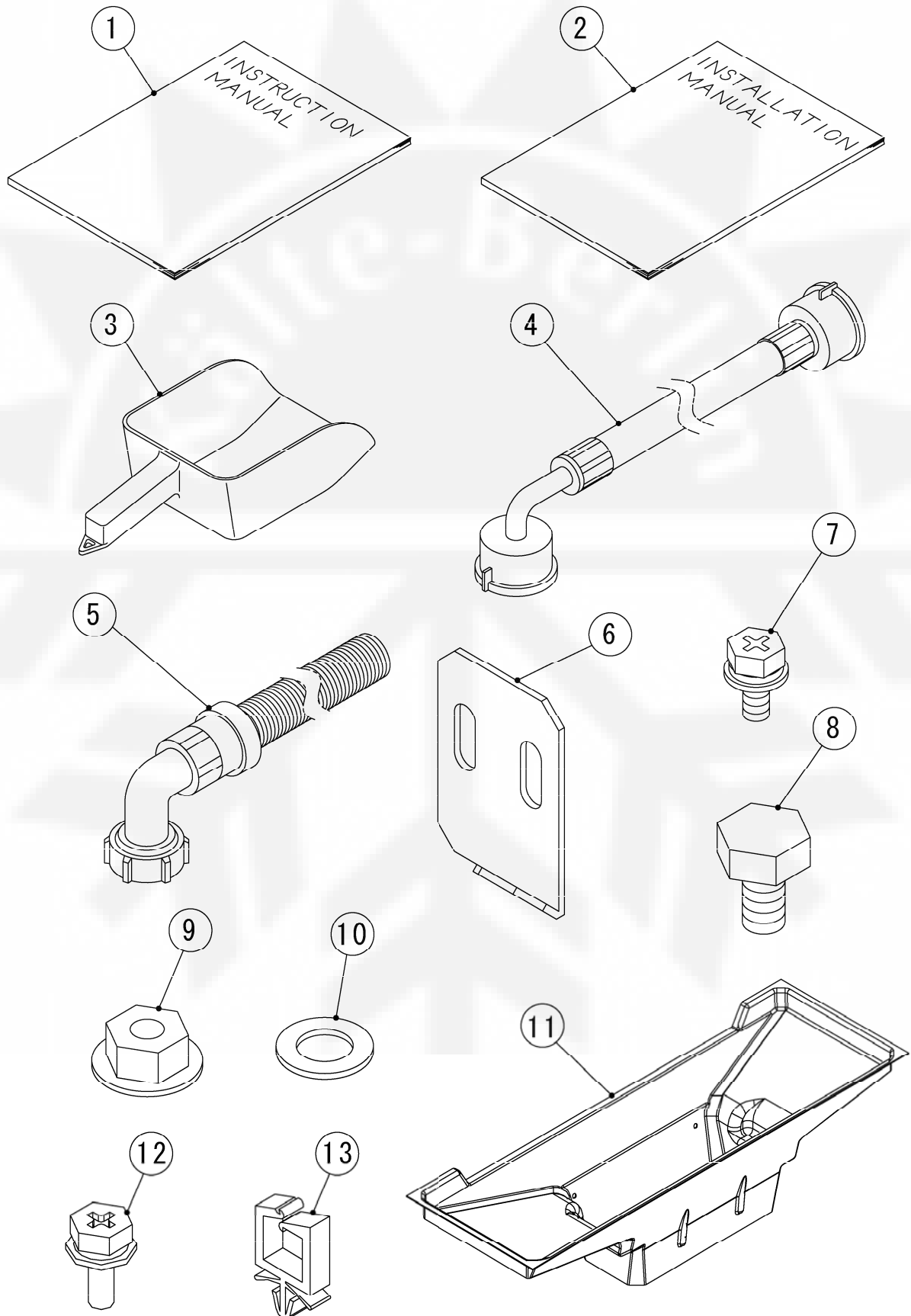




IM-240DNE (-C, -21, -23, -32)  
IM-240XNE (-21, -23, -32)

### K. ACCESSORIES

(K-1) and later

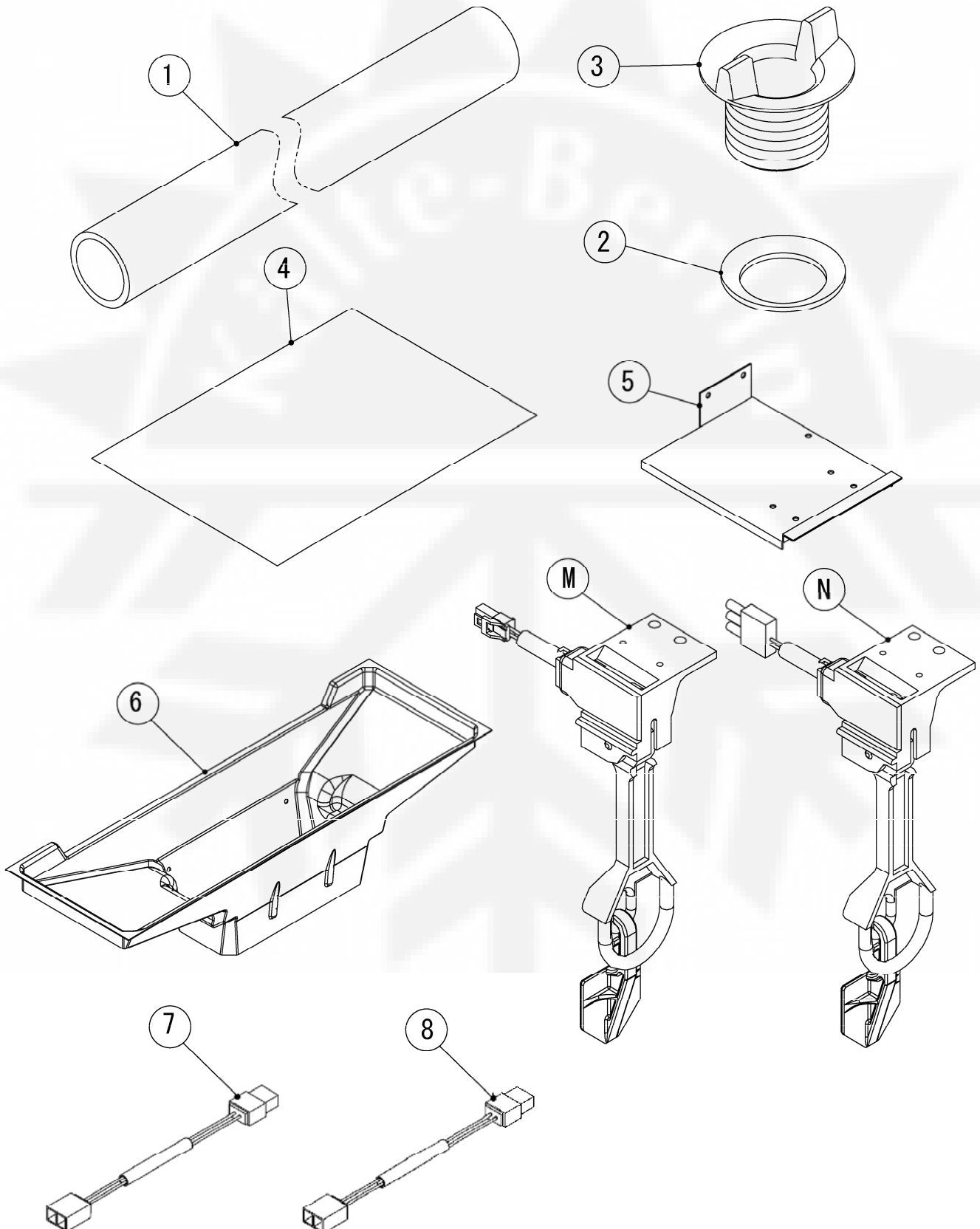




IM-240DNE (-C, -21, -23, -32)  
IM-240XNE (-21, -23, -32)

L. OPTIONAL PARTS

(K-1) and later



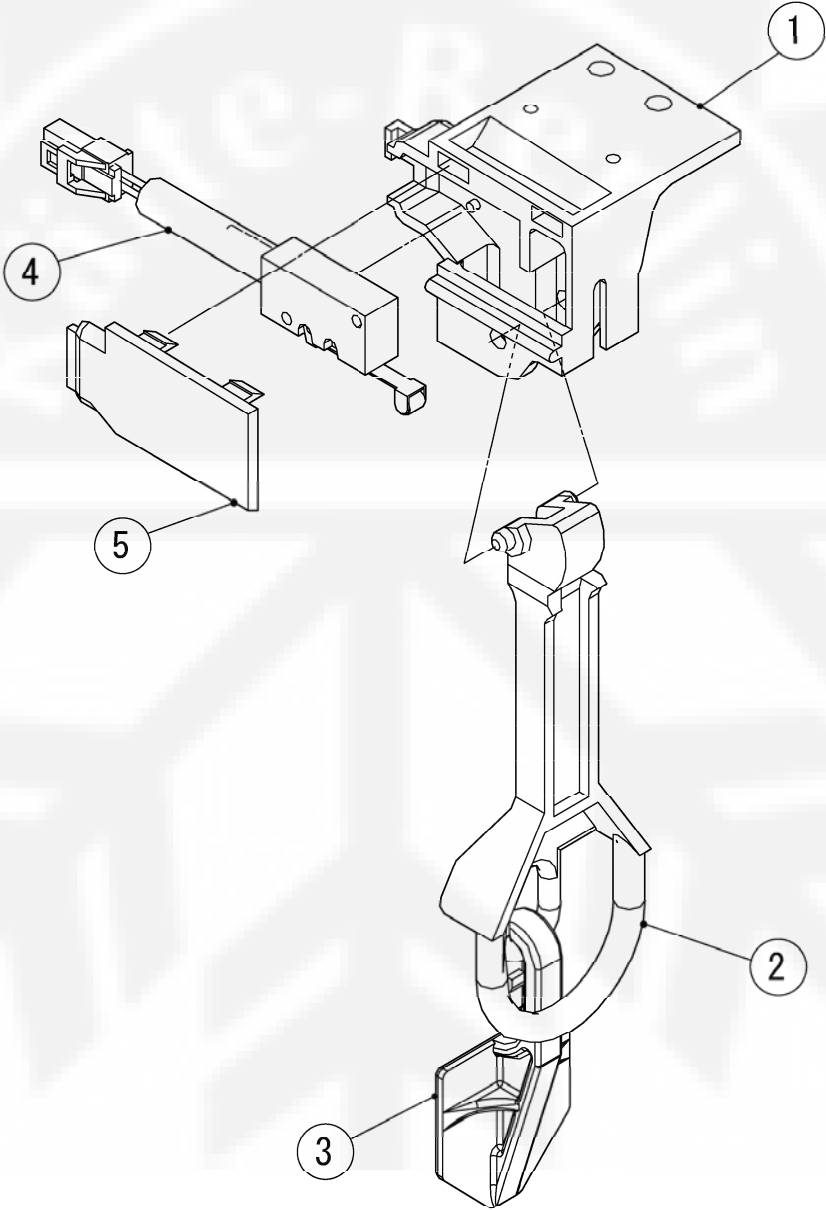


IM-240DNE (-C, -21, -23, -32)

IM-240XNE (-21, -23, -32)

M. BIN SWITCH ASSY

(K-1) and later





IM-240DNE (-C, -21, -23, -32)  
IM-240XNE (-21, -23, -32)

N. BIN SWITCH ASSY

(K-1) and later

