



**IMPORTANT**

1. In order to carry out safe and proper installation of the product, please read this booklet carefully beforehand and follow the instructions contained within.
2. On completion of the installation, start up the icemaker to check for any abnormalities, and instruct the user on how to use and maintain the icemaker in accordance with the Instruction Manual.
3. This booklet should be handed over to the user after the installation and be preserved by the user together with the Instruction Manual for any further consultation that may be necessary.

**WARNING**

The installation must be carried out by qualified personnel, in accordance with current regulations, according to the manufacturer's instructions.

**1. UNPACKING**

**WARNING**

Children should not be allowed in reach of the packaging elements (plastic bags and expanded polystyrene) as they are potential sources of danger.

**CAUTION**

Remove shipping carton, tape(s) and packing. If packing material is left in the icemaker, it will not work properly.

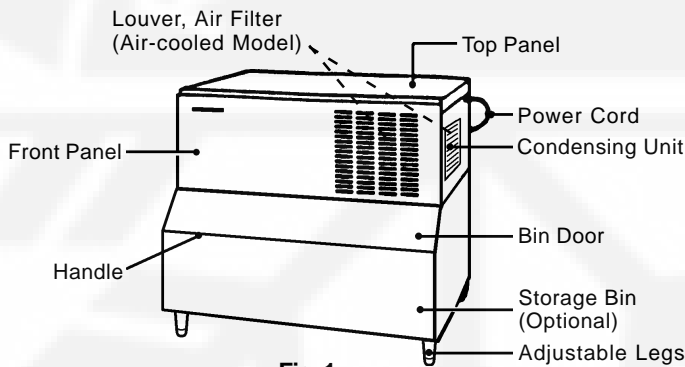
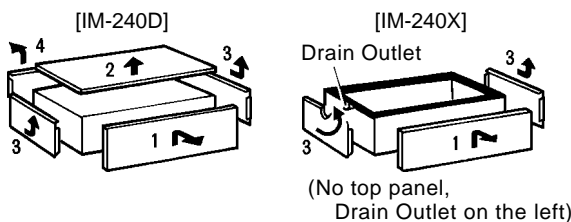


Fig. 1

Note: This icemaker needs a Storage Bin. Hoshizaki recommends the following Ice Storage Bins:

- P-200SD ----- IM-240D
- F650-44 ----- IM-240D/IM-480D
- F950-48 ----- IM-480D/IM-720D
- F1025-52 ----- IM-480D/IM-720D

- 1) After removing the packaging, make sure that the icemaker and the Storage Bin are in good condition. If in doubt, please do not use the equipment but apply to professionally qualified personnel. See the instruction sheet attached to the Storage Bin for its unpacking and installation guidelines.
- 2) Remove the icemaker panels to gain access to the accessory kit and to assist easier installation.



- a) Front Panel: Remove the screw(s). Lift up and pull toward you.
- b) Top Panel: Remove the screw(s). Simply lift off.
- c) Side Panel: Remove the screw(s). Slide forward slightly, and then lift off.
- d) Rear Panel: Does not require removal.

Fig. 2

- 3) Remove the package of accessories, and check the contents:

a) Installation Kit (Air-Cooled)	
Inlet Hose	1
Outlet Hose	1
Installation Kit (Water-Cooled)	
Inlet Hose	2
Outlet Hose	2
1/2-3/4 Nipple	2
b) Scoop (Except IM-240X)	1
c) Ice Chute (IM-240X only)	1
d) Drain Pipe Collar (IM-240X only)	1
e) Packing (IM-240X only)	1

- 4) Remove the shipping tape holding the Bin Control Switch.
- 5) Remove the protective plastic film from the exterior. If the icemaker is exposed to the sun or to heat, remove the film after the icemaker cools.

**2. LOCATION**

**IMPORTANT**

1. This icemaker is not intended for outdoor use. Normal operating ambient temperature should be within 1°C to 40°C. Normal operating water temperature should be within 5°C to 35°C. Operation of the icemaker, for extended periods, outside of these normal temperature ranges may affect production capacity.
2. The icemaker should not be located next to ovens, grills or other high heat producing equipment.
3. The location should provide a firm and level foundation for the equipment.
4. Allow 15 cm clearance at rear, sides and top for proper air circulation and ease of maintenance and/or service should they be required. For air-cooled model only, allow 30 cm clearance at the right side.
5. This appliance is not suitable for installation in an area where a water jet could be used and where dripping is not allowed.
6. Do not place anything on top of the icemaker or in front of the Louver.
7. This icemaker will not work at subfreezing temperatures. To prevent damage to the water supply line, drain the icemaker when air temperature is below zero.

**3. INSTALLATION**

\* Incorrect installation can cause harm to people, animals or things, for which the manufacturer cannot be held responsible.

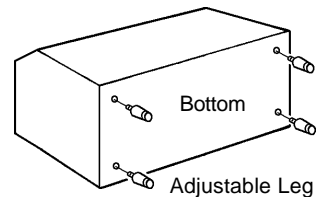


Fig. 3

- 1) Lay the Storage Bin on its rear side carefully to prevent damage. Secure the four adjustable legs (bin accessory) into the four tapped holes on the underside of the Bin. See Fig. 3.
- 2) Position the Storage Bin in the selected permanent position, and level it in both the left-to-right and front-to-rear directions. See Fig. 4.

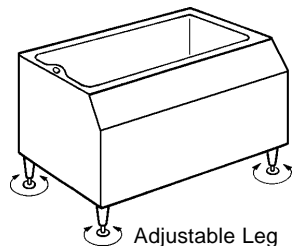
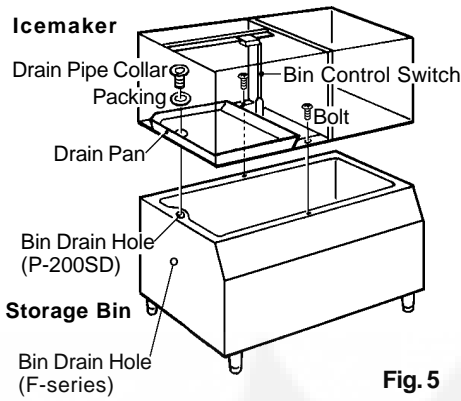


Fig. 4

- 3) Remove the icemaker panels. The Rear Panel is not required to be removed for installation. See "1. UNPACKING".
- 4) Remove the shipping tape holding the Drain Pan.
- 5) Place the icemaker on the top of the Storage Bin. Be careful not to damage the icemaker frame and the Bin Control Switch. See Fig. 5.



**Fig. 5**

6) Secure the icemaker with the two bolts provided. See Fig. 5.

7) Align the Storage Bin drain hole and the drain pan hole. Insert the Packing (bin accessory) and fasten the Drain Pipe Collar (bin accessory). See Fig. 5.

Note: On the F-series Bins, an extension drain tube kit is provided which attaches to the icemaker Drain Pan and exits through the pre-drilled hole in the side of the Bin.

8) Replace the icemaker panels in their correct position.

#### 4. STACKING ICEMAKERS

##### WARNING

Check the icemaker models. A D-type icemaker and an X-type icemaker will be required for stacking two icemakers. A D-type icemaker and two X-type icemakers will be required when stacking three icemakers. The D-type icemaker is designed for the upper unit, and the X-type for the middle and lower units. The D-type and X-type icemakers are provided with two different types of Bin Control Switch. Use the Bin Control Switch of the lower X-type icemaker only when stacking icemakers. The Bin Control Switch must be removed from the upper (and middle) units. Connection of the Bin Control from the lower (and middle) to the upper unit will require additional connecting leads which are supplied with the X-type icemaker. Misconnection or no connection may cause serious damage to the icemaker units, resulting in failure.

1) Prepare and position the Storage Bin as detailed in 1) and 2) in "3. INSTALLATION".

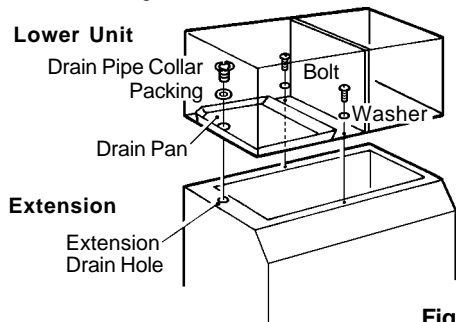
2) Remove the icemaker panels. The Rear Panel is not required to be removed for installation. See "1. UNPACKING".

3) Move the icemaker carefully to prevent damage to the icemaker frame.

4) Remove the shipping tape holding the Drain Pan.

5) Attach the lower unit (X-type) on the top of the Storage Bin. See Fig. 6.

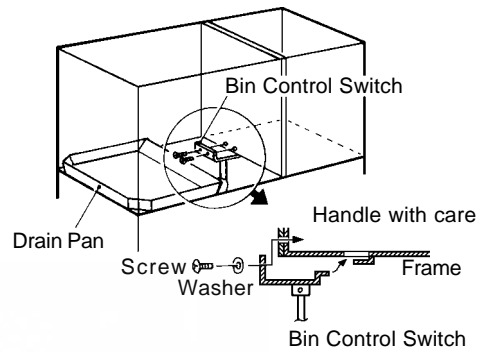
6) Secure the lower unit with the two bolts and two plastic washers provided. See Fig. 6.



**Fig. 6**

7) Remove the shipping tape holding the Bin Control Switch on the Drain Pan. Attach the Bin Control Switch to the frame located at

the left bottom of the condensing unit, and secure it using the two screws and the two washers provided. See Fig. 7.

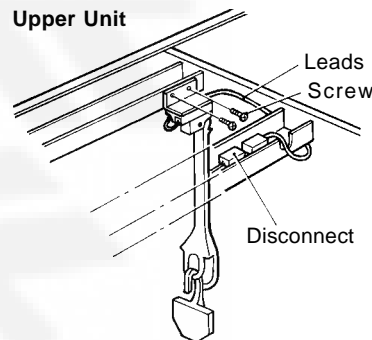


**Fig. 7**

8) [P-200SD] Align the drain hole and the drain pan hole. Insert the Packing (bin accessory) and fasten the Drain Pipe Collar (bin accessory) tightly, within the recommended torque of 39.2 Nm. See Fig. 6.

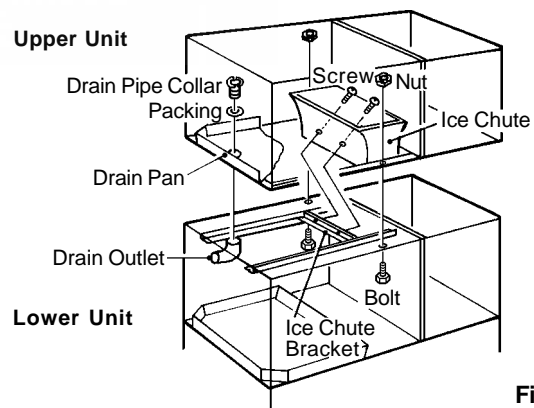
9) [F-series] Locate the extension drain tube kit. Remove the Locking Nut from the threaded section, and push the threaded pipe through the hole in the side of the Bin. Align the Drain Pan, and insert the Drain Pipe Collar and Packing into the free end of tube kit and tighten. Secure the tube kit by re-attaching the Locking Nut and tightening to the Bin exterior.

10) Before stacking, remove the clear plastic cover on the upper or middle unit wiring channel. Disconnect the Bin Control Switch leads (with three-way plug). Remove the screws and the Bin Control Switch. When stacking two or three icemakers, this switch will not be required. Keep it after removal. See Fig. 8.



**Fig. 8**

11) Attach the upper or middle unit on the lower unit. See Fig. 9.



**Fig. 9**

12) Secure the two units with the two bolts and the two nuts provided. See Fig. 9.

13) Align the lower unit drain hole and the upper unit drain pan hole. Insert the Packing (lower unit accessory) and fasten the Drain Pipe Collar (lower unit accessory). See Fig. 9.

14) Place the Ice Chute (lower unit accessory) and secure it to the Bracket with the two screws.

- 15) Connect the leads (with three-way plug) located in the lower unit wiring channel to the upper or middle unit receptacle, unplugged in the above step 10). Secure the leads using the plastic clamp provided. Place the plastic cover in position. See Fig. 10.
  - 16) Replace the icemaker panels in their correct position.
- Note: If stacking three icemakers, repeat the instructions 10) - 16) for the upper unit. Remember, only **ONE** Bin Control is needed regardless of configuration. The Bin Control extension leads are pre-wired with the plug and will be found coiled in the X-type wiring channel.

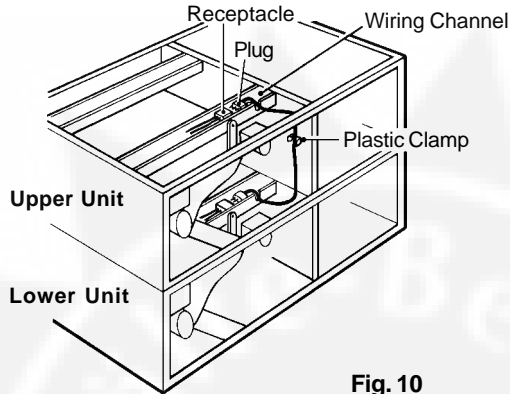


Fig. 10

**5. ELECTRICAL CONNECTIONS**

**WARNING**

**THIS APPLIANCE MUST BE EARTHED**

This icemaker requires an earth that meets the national and local electrical code requirements. To prevent possible severe electrical shock to individuals or extensive damage to equipment, install a proper earth wire to the icemaker. Remove the plug from the mains socket before any maintenance, repairs or cleaning is undertaken.

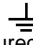
- \* This icemaker must have a separate power supply or receptacle of 220 - 240V.
- \* Stacked icemakers should each have a separate receptacle, but they must all be connected in parallel to the same single phase supply or circuit with sufficient ampacity. In addition and to avoid nuisance tripping, individual circuit breakers for each machine should not be used.
- \* The main control box fuse is rated at 5A and should only be replaced by a qualified service engineer.
- \* Usually an electrical permit and services of a licensed electrician are required.
- \* If the supply cord and the plug should need to be replaced, it should only be done by a qualified service engineer.

**For the U.K. and the Republic of Ireland only**

- \* The wires in the mains lead are coloured in accordance with the following code:

Green & Yellow = Earth  
 Blue = Neutral  
 Brown = Live

As the colours of the wire in the mains lead of this appliance may not correspond with the coloured markings identifying the terminals in your plug, proceed as follows:

The wire which is coloured Green-and-Yellow must be connected to the terminal in the plug which is marked with the letter E or by the symbol  or coloured Green or Green-and-Yellow. The wire which is coloured Blue must be connected to the terminal which is marked with the letter N or coloured Black. The wire which is coloured Brown must be connected to the terminal which is marked with the letter L or coloured Red.

- \* Should the socket outlets in the installation site not be suitable for the plug supplied with your product, the plug must be removed (cut off if it is moulded on plug) and an appropriate plug fitted.
- If the non-rewirable plug has been cut from the power supply cord, it must be disposed of. There should be no attempt to reuse it. Inserting such a plug into a socket elsewhere presents a serious risk of electrical shock.
- \* The non-rewirable plug must never be used without a fuse cover being fitted.

The correct replacement for the detachable fuse cover is identifiable from the manufacturer's reference number stamped on the plug.

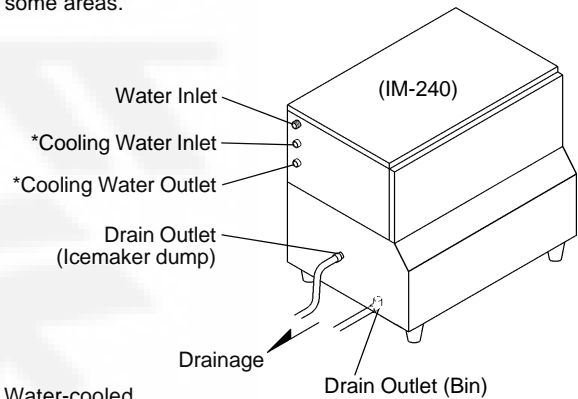
Supply of replacement fuse covers can be obtained from Hoshizaki Parts/Service Centres.

Fuses should be rated at 13A and approved to BS 1362.

**6. WATER SUPPLY AND DRAIN CONNECTIONS**

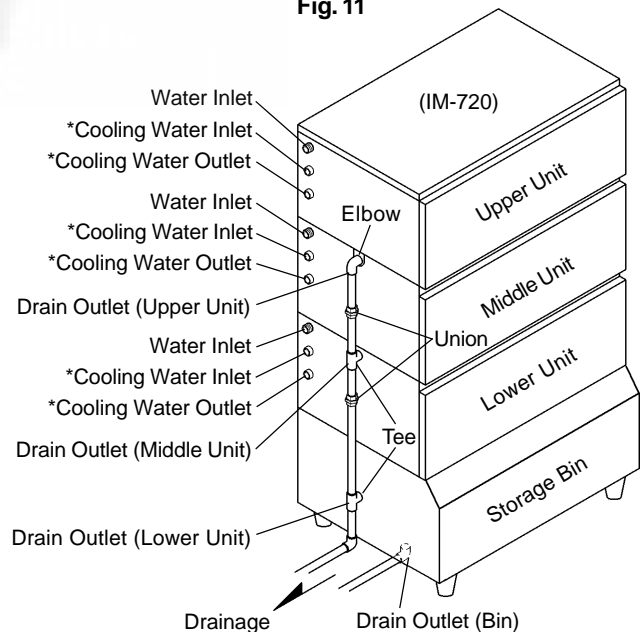
(For the U.K. only, the connections must be in accordance with current requirements of the Model Water Byelaws 1986 SI No. 1147)

- \* Only potable water should be used for the icemaker.
- \* Water supply pressure should be minimum 0.5 bar and maximum 8 bar. If the pressure exceeds 8 bar, use a proper pressure reducing valve. Do **NOT** throttle back the supply tap.
- \* A plumbing permit and services of a licensed plumber may be required in some areas.



\* Water-cooled model only

Fig. 11



\* Water-cooled model only

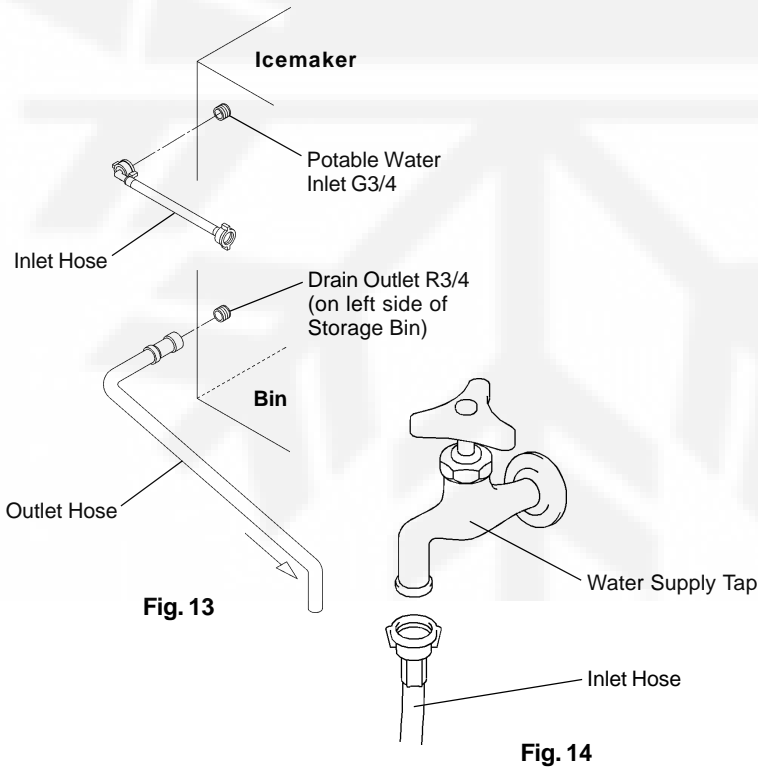
Fig. 12

- \* The icemaker drain is gravity flow, so ensure drain pipe has an adequate pitch or fall.
- \* Water should drain into an open trap.
- \* The Storage Bin has two drain outlets. The upper/outer one is for dump from the icemaker, and the lower/inner is for the Bin. The two drain lines must be separated to prevent a backflow into the Storage Bin.
- \* On water-cooled model, a back flow preventer may be required in the cooling water circuit.

## [Air-Cooled Model]

- 1) Attach the angled end of white flexible inlet hose (accessory) to the G3/4 fitting on the left side of the icemaker as indicated, ensuring rubber sealing washer is correctly positioned. Hand tighten sufficiently to provide leak free joint (Fig. 13).
- 2) Attach the other end of inlet hose to the water tap (Fig. 14), noting washer is correctly positioned before hand tightening as above. It is a wise precaution to have a stop valve within easy reach.
- 3) Hand tighten grey flexible outlet hose (accessory) onto the R3/4 fitting on the left side of the Storage Bin as indicated, ensuring rubber washer is correctly positioned to obtain a leak free joint. The pipe can be cut to length as necessary to suit position of main drain.

Note: Jointing compounds should be approved and suitable for potable water use.



## [Water-Cooled Model]

- \* Hoshizaki recommends that the water-cooled Condenser should be connected to a closed circuit recirculating type cooling system utilizing a tower, water chiller or similar (see Fig. 15 and 16). Water make up should be via a ball valve/break tank arrangement.
- \* Whilst connecting a water-cooled Condenser to a mains water (potable) supply will not affect the performance of the machine, it will most certainly cause a high use/waste of a valuable resource and is not recommended.
- \* The services of a licensed or coded plumber should be used to ensure a correct installation.

- \* The connections should be made properly in compliance with the applicable national or local regulations.

## [a] Standard connections according to WRC regulations in U.K. (Fig. 15 and 16)

- \* When selecting a Cooling Tower, refer to the following peak values of heat flow in the Condenser:

Model IM-240DW/XW: 5235 W

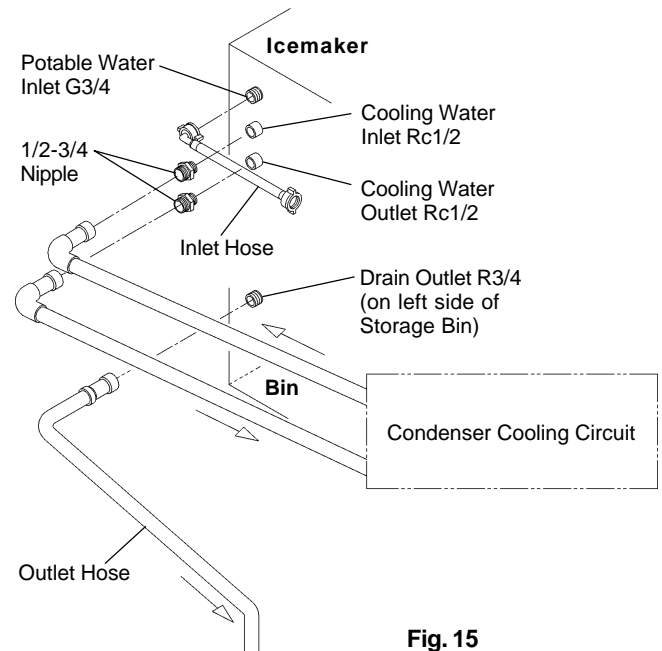
- \* Pipes between the Cooling Tower and the icemaker should be at least 20 mm DIA to reduce pressure loss, even though the icemaker fittings are 13 mm DIA.
- \* Pressure loss in the water circuit inside the unit will be 5 to 6 m when the cooling water flows at the ratio of 4 to 5 lit/min.
- \* Select a Circulating Pump referring to the above values of heat flow.
- \* Do not use a Cascade Pump, or the Water Regulator will vary the flow and stop it during the defrost cycle.
- \* The Strainer must be cleaned periodically.

## [Icemaker Connections]

- 1) Attach the angled end of white flexible inlet hose (accessory) to the G3/4 fitting on the left side of the icemaker as indicated, ensuring rubber sealing washer is correctly positioned. Hand tighten sufficiently to provide leak free joint.
- 2) Attach the other end of inlet hose to the water tap (Fig. 14), noting washer is correctly positioned before hand tightening as above.
- 3) Attach grey flexible outlet hose (accessory) to the R3/4 fitting on the left side of the Storage Bin as indicated (Fig. 15), confirming fitment of rubber washer before finally hand tightening the joint. This pipe can be cut to length as necessary to suit position of main drain.
- 4) By means of a suitable spanner or wrench, tighten the 1/2-3/4 nipples (accessory) into the Rc1/2 fittings on the left side of the icemaker as indicated. P.T.F.E. tape and/or a suitable sealing compound should be used to obtain a leak free joint.

Note: Jointing compounds should be approved and suitable for potable water use.

- 5) Connect the Condenser cooling circuit to the free end of 1/2-3/4 nipples as indicated (Fig. 15) using a suitable rigid type pipe.



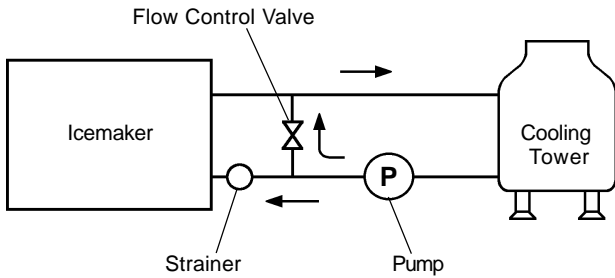


Fig. 16

**8. FINAL CHECKS**

- 1) Is installation free of water leaks?
- 2) Is the icemaker free from vibration?
- 3) Are all the panels fixed and secure?
- 4) Has the user been instructed on correct machine use and handed the Instruction Manual?

**[b] Connections according to regulations other than WRC by utilising accessory hoses (Fig. 17)**

- 1) Follow the instructions from 1) to 4) in [a] above.
- 2) For Condenser connections, use supplied accessory hoses and make the same connections as 1) to 3) in [a] above to the free end of 1/2-3/4 nipples as indicated (Fig. 17).

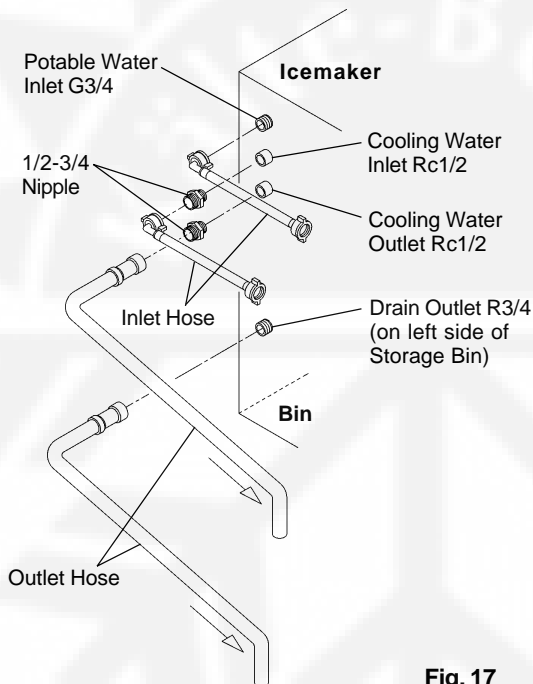


Fig. 17

**7. START-UP PROCEDURE**

- 1) Disconnect the power supply.
- 2) Open the water tap.
- 3) Connect the power supply and energise.
- 4) The following should occur in sequence:
  - a) Compressor will start (Hot Gas Valve open).
  - b) Water Pan will fully open.
  - c) Water Solenoid will open.
  - d) Water Pan will start to close (Hot Gas Valve closed).
  - e) Water Pan fully closed - Pump Motor will start.
  - f) Water Solenoid will close.

**IMPORTANT**

1. Check the conditions and quality of the ice production.
2. Do not use ice produced in the trial run. It might be contaminated with foreign matter in the water circuit. Discard or flush down the drain.

## IMPORTANT

1. Pour pouvoir installer le produit correctement et en toute sécurité, veuillez lire attentivement cette notice avant de procéder à l'installation et suivez les consignes qu'elle contient.
2. Une fois l'installation terminée, mettez la machine à glace en marche et vérifiez qu'elle ne présente aucune anomalie. Expliquez ensuite à l'utilisateur comment l'utiliser et l'entretenir selon la notice d'utilisation.
3. Cette notice doit être remise à l'utilisateur après l'installation du produit. L'utilisateur doit la conserver avec la notice d'utilisation pour toute consultation ultérieure.

## AVERTISSEMENT

**L'installation doit être effectuée par du personnel qualifié**, en respectant les réglementations en vigueur et en suivant les consignes du fabricant.

## 1. DEBALLAGE

### AVERTISSEMENT

Les enfants doivent être tenus à l'écart de tous les éléments d'emballage (sacs en plastique et polystyrène expansé) car ce sont des éléments potentiellement dangereux.

### ATTENTION

Enlevez le carton d'emballage, le(s) ruban(s) et les matériaux d'emballage. S'il reste des matériaux d'emballage dans la machine à glace, elle ne fonctionnera pas correctement.

Volet d'aération, Filtre à air  
(Modèle refroidi par air)

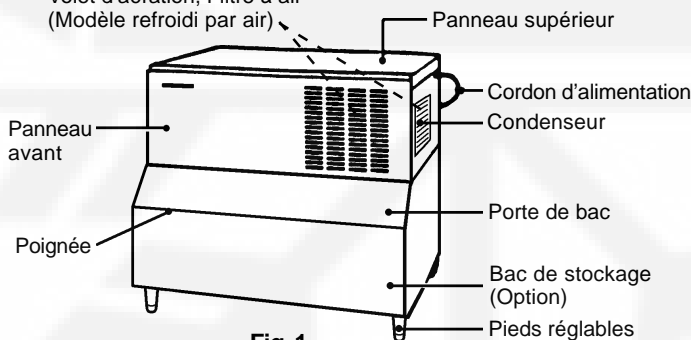


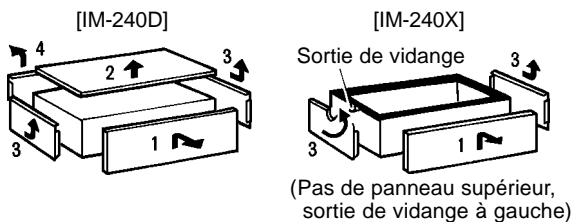
Fig. 1

Remarque: Cette machine nécessite un bac de stockage. Hoshizaki recommande les modèles suivants:

P-200SD ----- IM-240D  
F650-44 ----- IM-240D/IM-480D  
F950-48 ----- IM-480D/IM-720D  
F1025-52 ----- IM-480D/IM-720D

- 1) Après avoir enlevé les matériaux d'emballage, vérifiez que la machine à glace et le bac de glaçons soient en bon état. En cas de doute, n'utilisez pas l'appareil mais adressez-vous à un professionnel. Suivez les recommandations accompagnant le bac de stockage pour le déballer et l'installer.

- 2) Retirez les panneaux de la machine pour accéder aux accessoires et faciliter l'installation.



- a) Panneau avant: Enlevez la/les vis, soulevez et tirez le panneau vers vous.
- b) Panneau supérieur: Enlevez la/les vis et soulevez-le.
- c) Panneau latéral: Enlevez la/les vis, glissez le panneau vers l'avant et soulevez-le.
- d) Panneau arrière: Il ne faut pas l'enlever.

Fig. 2

- 3) Retirez l'emballage maintenant les accessoires et vérifiez les accessoires suivants:

a) Kit d'installation (Refroidi par air)	
Tuyau d'arrivée d'eau	1
Tuyau de vidange	1
Kit d'installation (Refroidi par eau)	
Tuyau d'arrivée d'eau	2
Tuyau de vidange	2
Mamelon 1/2-3/4	2
b) Pelle à glace (Sauf IM-240X)	1
c) Chute de glaçons (IM-240X seulement)	1
d) Bride du collier de vidange (IM-240X seulement)	1
e) Emballage (IM-240X seulement)	1

- 4) Retirez le ruban d'emballage maintenant le commutateur de commande du bac.

- 5) Enlevez le film protecteur en plastique recouvrant les panneaux. Si la machine à glace est exposée au soleil ou à la chaleur, attendez qu'elle se soit refroidie pour le faire.

## 2. EMPLACEMENT

### IMPORTANT

1. Cette machine à glace n'est pas conçue pour être utilisée à l'extérieur. La température ambiante normale de service doit être comprise entre 1°C et 40°C. La température normale de service de l'eau doit être comprise entre 5°C et 35°C. Le fonctionnement de l'appareil en dehors de ces températures pendant des durées prolongées, risque d'influer sur les performances.
2. La machine à glace ne doit pas être placée à proximité de fours, de grills, ou de toute autre source de chaleur importante.
3. L'assise de l'appareil doit être solide et horizontale.
4. Pour assurer une bonne circulation d'air et faciliter les opérations d'entretien ou de révision en cas de besoin, maintenez un dégagement de 15 cm à l'arrière, sur les côtés et au-dessus de l'appareil. Maintenez un dégagement de 30 cm sur le côté droit.
5. Cet appareil ne doit pas être monté dans un local où l'on peut utiliser un jet d'eau ou dans lequel l'égouttage est prohibé.
6. Ne mettez rien sur la machine à glace ni devant le volet d'aération.
7. Cet appareil ne fonctionne pas à des températures inférieures à zéro. Afin d'éviter que les conduites d'eau ne s'abiment, vidangez l'appareil dès que la température de l'air tombe au-dessous de zéro.

## 3. INSTALLATION

\* Une mauvaise installation de l'appareil peut avoir des conséquences néfastes sur les personnes, les animaux ou les choses, pour lesquelles le fabricant ne pourra être tenu responsable.

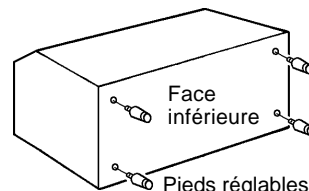


Fig. 3

- 1) Placez le bac de stockage sur son côté arrière pour ne pas l'endommager. Vissez à fond les quatre pieds fournis (accessoire du bac de stockage) dans les quatre trous percés sous la face inférieure du bac de stockage. Voir Fig. 3.

- 2) Placez le bac de stockage à l'emplacement désiré et veillez à ce qu'il soit nivelé. Voir Fig. 4.

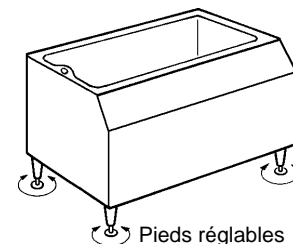


Fig. 4

- 3) Retirez les panneaux de l'appareil sauf le panneau arrière qui n'a pas besoin d'être enlevé. Voir "1. DEBALLAGE".

- 4) Retirez le ruban d'emballage maintenant le bac de vidange.
- 5) Placez la machine à glace au-dessus du bac de stockage en veillant à ne pas endommager le cadre de la machine et le commutateur de commande du bac. Voir Fig. 5.

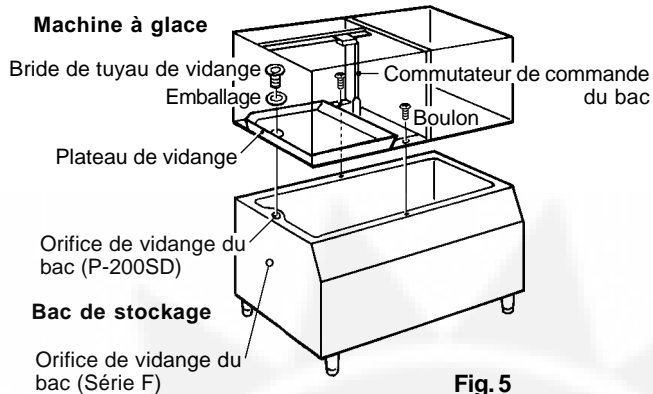


Fig. 5

- 6) Fixez la machine à glace en vissant les deux boulons fournis. Voir Fig. 5.
- 7) Alignez l'orifice de vidange du bac de stockage à l'orifice du plateau de vidange. Insérez l'emballage (accessoire du bac) et serrez la bride du tuyau de vidange (accessoire du bac). Voir Fig. 5.

Remarque: Les bacs de la série F sont munis d'un tube de vidange de rallonge qui se fixe sur le plateau de vidange de l'appareil et sort en passant dans le trou percé se trouvant sur le côté du bac.

- 8) Reposez les panneaux de l'appareil.

#### 4. MACHINES A GLACE SUPERPOSEES

##### AVERTISSEMENT

Vérifiez la marque de la machine. Il faut le modèle D ou X pour superposer deux machines. Il faut un modèle D et deux modèles X pour superposer trois machines. Le modèle D doit être posé sur la machine supérieure et les modèles X sur les machines centrale et inférieure. Les commutateurs de commande du bac sont différents pour D et X. Utilisez le commutateur X de la machine inférieure uniquement lorsque vous superposez des machines. Il faut retirer les commutateurs de commande des bacs des machines supérieure et centrale. Le raccordement de la commande du bac à partir de la machine inférieure (centrale) à la machine supérieure nécessite des câbles supplémentaires qui sont livrés avec le modèle X. Un mauvais raccordement ou un manque de raccordement risque d'endommager les machines et de provoquer des pannes.

- 1) Placez le bac de stockage comme indiqué sous 1) et 2) du chapitre "3. INSTALLATION".
- 2) Retirez les panneaux de l'appareil sauf le panneau arrière qui n'a pas besoin d'être enlevé. Voir "1. DEBALLAGE".
- 3) Déplacez avec prudence l'appareil pour ne pas endommager son cadre.
- 4) Retirez le ruban d'emballage maintenant le plateau de vidange.
- 5) Fixez la machine inférieure (modèle X) au-dessus du bac de stockage. Voir Fig. 6.
- 6) Fixez la machine inférieure en vissant les deux boulons et les deux rondelles en plastique fournis. Voir Fig. 6.
- 7) Retirez le ruban d'emballage maintenant le commutateur de commande du bac au plateau de vidange. Fixez le commutateur de commande du bac sur le cadre inférieur gauche du condenseur et vissez-le avec les deux vis et les deux rondelles fournis. Voir Fig. 7.

##### Machine inférieure

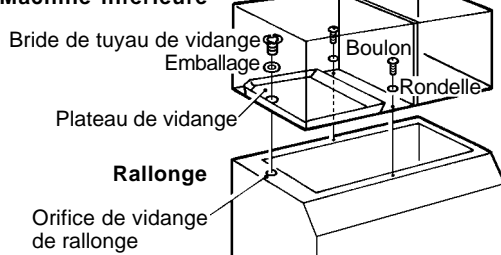


Fig. 6

##### Rallonge

Orifice de vidange de rallonge

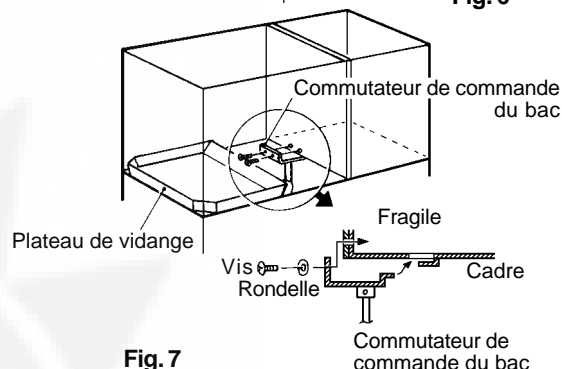
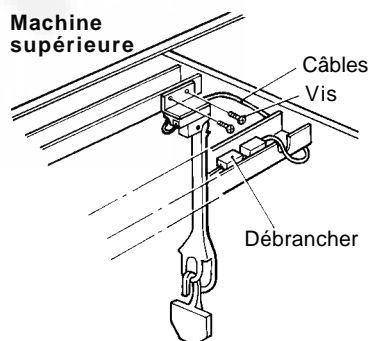


Fig. 7

- 8) [P-200SD]  
Alignez l'orifice de vidange du bac de stockage à l'orifice du plateau de vidange. Insérez l'emballage (accessoire du bac) et serrez la bride du tuyau de vidange (accessoire du bac) à la valeur de couple de 39.2 Nm. Voir Fig. 6.

- 9) [Série F]  
Repérez le kit du tube de vidange de rallonge. Retirez le contre-écrou de la partie filetée et poussez le tuyau fileté dans l'orifice latéral du bac. Alignez le plateau du bac et insérez la bride du tuyau de vidange et d'emballage dans l'extrémité libre du kit du tube puis serrez. Fixez le kit du tube en revissant le contre-écrou sur l'extérieur du bac.

- 10) Retirez le film en plastique recouvrant les câbles de la machine supérieure ou centrale. Débranchez les câbles du commutateur de commande du bac (prise à trois voies). Retirez les vis et le commutateur de commande du bac. Ce commutateur n'est pas requis pour superposer deux ou trois machines ; gardez-le après l'avoir retiré. Voir Fig. 8.



Retirer le commutateur de commande du bac

Fig. 8

- 11) Fixez la machine supérieure ou centrale sur l'unité inférieure. Voir Fig. 9.
- 12) Fixez les deux machines en vissant les deux boulons et les deux écrous fournis. Voir Fig. 9.
- 13) Alignez l'orifice de vidange de la machine inférieure à l'orifice du plateau de vidange de la machine supérieure. Insérez l'emballage (accessoire de la machine inférieure) et serrez la bride du tuyau de vidange (accessoire de la machine inférieure). Voir Fig. 9.
- 14) Place la chute de glaçons (accessoire de la machine inférieure) et fixez-la au support en la vissant avec les deux vis fournies.

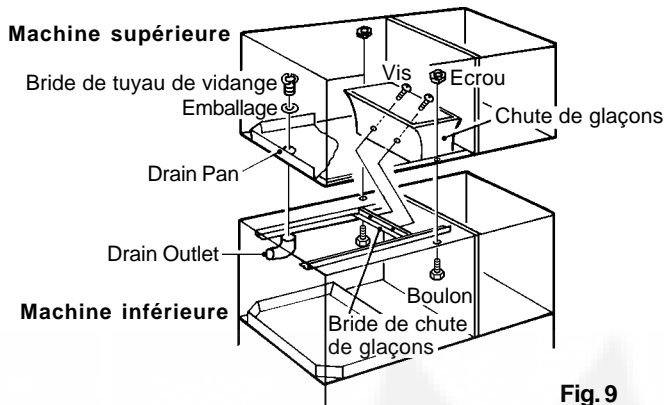


Fig. 9

15) Raccordez les câbles (prise à trois voies) de la machine inférieure aux connexions débranchées de la machine supérieure ou centrale, voir (10). Fixez les câbles à l'aide du serre-fil en plastique fourni. Positionnez la protection en plastique. Voir Fig. 10.

16) Remettez les panneaux de la machine en les repositionnant.

Remarque: Lorsqu'il s'agit de superposer trois machines, suivez les paragraphes susmentionnés (10) à (16) pour la machine supérieure. En dépit de la configuration, rappelez-vous qu'il ne faut qu'UNE seule commande de bac. Les câbles de rallonge du bac sont déjà câblés avec la prise, sont enrobés et se trouvent parmi les câbles du modèle X.

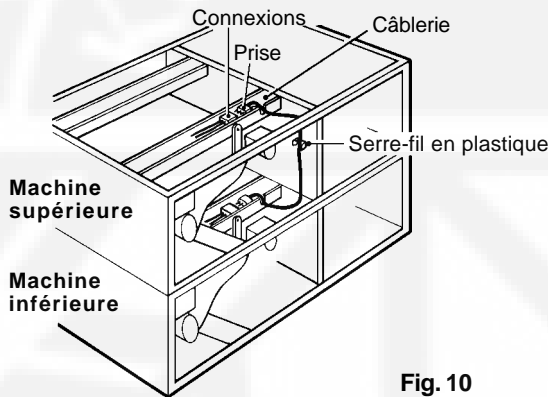


Fig. 10

## 5. RACCORDEMENTS ELECTRIQUES

### AVERTISSEMENT

#### CET APPAREIL DOIT ETRE MIS A LA TERRE

L'appareil doit avoir une terre qui respecte les réglementations électriques nationales et locales. Pour éviter tout risque d'électrocution grave ou de détérioration importante du matériel, reliez à l'appareil un fil de terre adéquat. Avant d'entreprendre n'importe quelle opération d'entretien, de réparation ou de nettoyage, débranchez le cordon d'alimentation du secteur.

\* Cet appareil doit être alimenté séparément en 220 - 240 V.

\* Les machines superposées doivent toutes avoir des connexions séparées mais doivent être raccordées parallèlement à la même phase de courant ou à un circuit de même ampérage. De plus et afin d'éviter tout déclenchement, il faut utiliser des disjoncteurs sur chaque machine.

\* Le fusible du boîtier de commande principal est calibré à 5A. Son remplacement doit être effectué par un technicien d'entretien qualifié.

\* Il faut généralement obtenir une autorisation pour effectuer l'installation électrique et recourir aux services d'un électricien qualifié.

\* Le remplacement du cordon d'alimentation et de la prise ne doit être effectué que par un électricien qualifié.

\* Le codage couleur des fils du cordon d'alimentation est le suivant:

Vert et jaune = Terre  
Bleu = Neutre  
Marron = Tension

Comme il est possible que le codage couleur des fils du cordon d'alimentation ne corresponde pas au repérage des bornes sur votre fiche, effectuez le raccordement électrique comme suit:

Le fil vert-et-jaune doit être relié à la borne de la fiche repérée par la lettre E ou par le symbole  $\text{—|—}$ , ou codée en vert ou vert-et-jaune. Le fil bleu doit être relié à la borne repérée par la lettre N ou la couleur noire. Le fil marron doit être relié à la borne repérée par la lettre L ou la couleur rouge.

\* Si la fiche livrée avec la machine ne convient pas à la prise du site d'installation, il faut l'enlever (la couper s'il s'agit d'une fiche moulée) et en monter une autre.

Si la fiche non recâblable a été coupée du cordon d'alimentation, il faut la jeter. En aucun cas, elle ne doit être réutilisée. L'introduction d'une telle fiche dans une autre prise comporte un grave risque d'électrocution.

## 6. BRANCHEMENTS DE L'ARRIVEE ET DE LA VIDANGE D'EAU

\* Cette machine ne doit utiliser que de l'eau potable.

\* La pression de l'arrivée d'eau doit être comprise entre 0,5 bar et 8 bar. Si la pression dépasse 8 bar, utilisez un réducteur de pression. Ne **REDUISEZ PAS** l'ouverture du robinet d'alimentation.

\* Il se peut que dans certaines régions, il faille obtenir une autorisation pour effectuer les travaux de plomberie et recourir aux services d'un plombier qualifié.

\* La vidange d'eau de la machine se fait par écoulement gravitaire si bien que vous devez vous assurer que la hauteur de chute est suffisante.

\* L'eau doit être évacuée vers un bac ouvert.

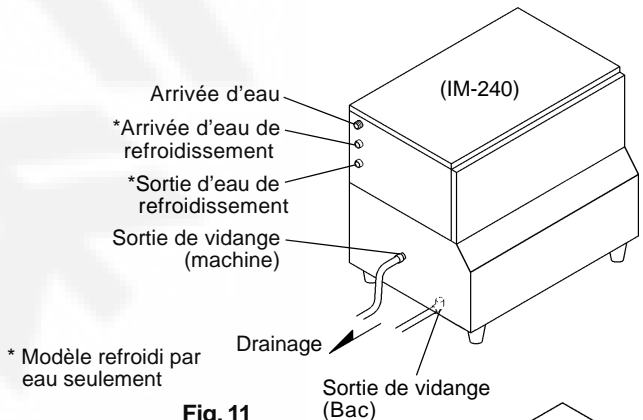


Fig. 11

\* Modèle refroidi par eau seulement

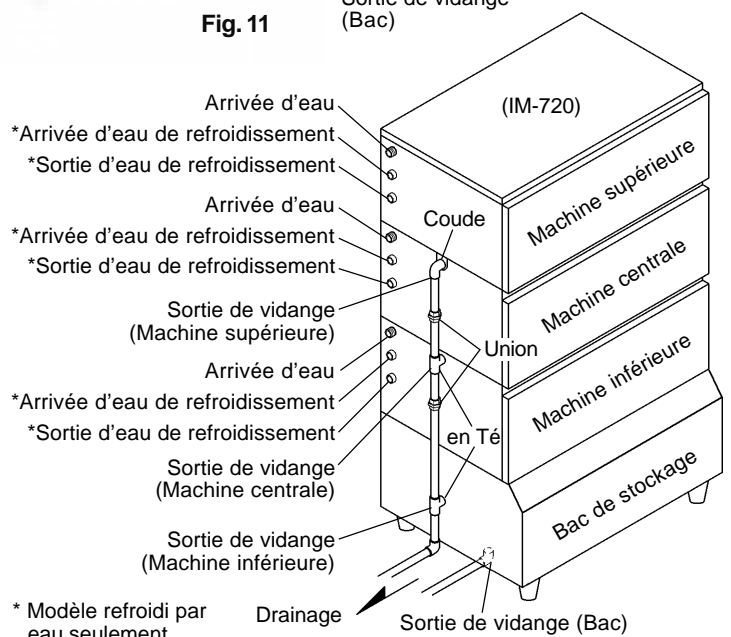


Fig. 12

\* Modèle refroidi par eau seulement

\* Le bac de stockage comprend deux sorties de vidange. La sortie supérieure/extérieure sert à vidanger la machine et la sortie inférieure/intérieure à vidanger le bac. Les deux conduites de vidange doivent être séparées pour éviter tout retour d'eau dans le bac de stockage.

\* Les modèles refroidis par eau risquent de nécessiter un obturateur de retour d'eau dans le circuit de refroidissement.

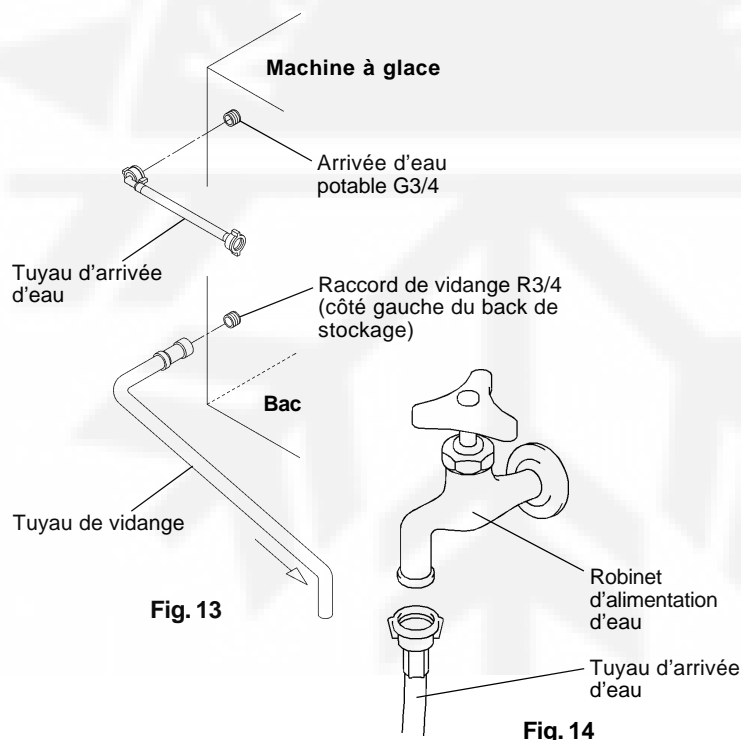
## [Modèle refroidi par air]

1) Raccordez l'extrémité coudée du tuyau flexible blanc d'arrivée d'eau (accessoire) au raccord G3/4 à gauche de la machine en vous assurant que la rondelle d'étanchéité en caoutchouc est bien placée. Serrez bien à la main pour assurer un joint étanche (Fig. 13).

2) Raccordez l'autre extrémité du tuyau d'arrivée au robinet d'alimentation d'eau (Fig. 14), en vérifiant que la rondelle est bien placée avant de serrer le joint à la main. Il est recommandé de prévoir une soupape d'arrêt.

3) Serrez à la main le tuyau de vidange gris (l'accessoire) sur le raccord R3/4 à gauche du bac de stockage en veillant à ce que la rondelle d'étanchéité en caoutchouc soit correctement placée pour éviter toute fuite. Coupez le tuyau selon la longueur désirée pour l'adapter au drainage principal.

Remarque: Les mastics doivent être agréés et convenir à une utilisation avec eau potable.



## [Modèle refroidi par eau]

\* Hoshizaki recommande de raccorder le condenseur à refroidissement par eau à un circuit fermé de type circuit de refroidissement de recirculation en utilisant une tour ou un refroidisseur d'eau (Fig. 15 et 16). L'approvisionnement en eau doit se faire par l'intermédiaire d'une vanne de barrage/d'un réservoir de barrage.

\* Le raccordement d'un condenseur à refroidissement par eau à une alimentation en eau secteur (eau potable) n'affecte pas la performance de l'appareil mais provoque une utilisation plus forte/gaspillage d'eau que nous ne recommandons pas.

\* Il faut faire appel à la compétence d'un plombier pour s'assurer que l'installation soit correcte.

\* Les raccordements doivent être effectués selon les exigences locales ou nationales.

## [a] Raccordements standard selon les réglementations WRC, au Royaume-Uni (Fig. 15 et 16)

\* Lorsque vous décidez d'utiliser une tour de refroidissement, reportez-vous aux valeurs crêtes suivantes concernant le flux thermique du condenseur:

Modèle IM-240DW/XW: 5235 kcal/h

\* Les tuyaux situés entre la tour de refroidissement et la machine doivent avoir un diamètre minimum de 20 mm pour réduire la perte de pression bien que les raccords de l'appareil aient un diamètre de 13 mm.

\* La perte de pression du circuit d'eau, à l'intérieur de l'unité, sera de 5 à 6 m quand le débit d'eau de refroidissement est de 4 à 5 l/min.

\* Choisissez une pompe de circulation selon les valeurs des flux thermiques susmentionnées.

\* N'utilisez pas de pompe en cascade car le régulateur d'eau modifiera le flux et l'arrêtera pendant le dégivrage.

\* Nettoyez régulièrement le tamis.

## [Raccordements de la machine à glace]

1) Raccordez l'extrémité coudée du tuyau flexible blanc d'arrivée d'eau (accessoire) au raccord G3/4 à gauche de la machine en vous assurant que la rondelle d'étanchéité en caoutchouc est bien placée. Serrez bien à la main pour assurer un joint étanche.

2) Raccordez l'autre extrémité du tuyau d'arrivée au robinet d'eau (Fig. 14), en vérifiant que la rondelle est bien placée avant de serrer le joint à la main.

Remarque: Lorsque l'eau est filtrée ou traitée, veillez à ce que seule la partie de l'appareil d'eau filtrée ou traitée soit branchée et non le condenseur.

3) Serrez à la main le tuyau de vidange gris (l'accessoire) sur le raccord R3/4 à l'arrière de l'appareil en veillant à ce que la rondelle d'étanchéité en caoutchouc soit correctement placée avant de serrer à la main le raccord. Coupez le tuyau selon la longueur désirée pour l'adapter au drainage principal (Fig. 15).

4) A l'aide d'une clé adaptée, serrez le mamelon 1/2-3/4 (accessoire) dans le raccord Rc1/2 en face arrière de l'appareil. Il faut utiliser du ruban PTFE ou un mastic d'étanchéité adéquat pour obtenir un joint étanche.

Remarque: Les mastics doivent être agréés et convenir à une utilisation avec eau potable.

5) Raccordez le circuit de refroidissement du condenseur aux extrémités libres des mamelons 1/2-3/4 (Fig. 15) à l'aide d'un tuyau rigide.

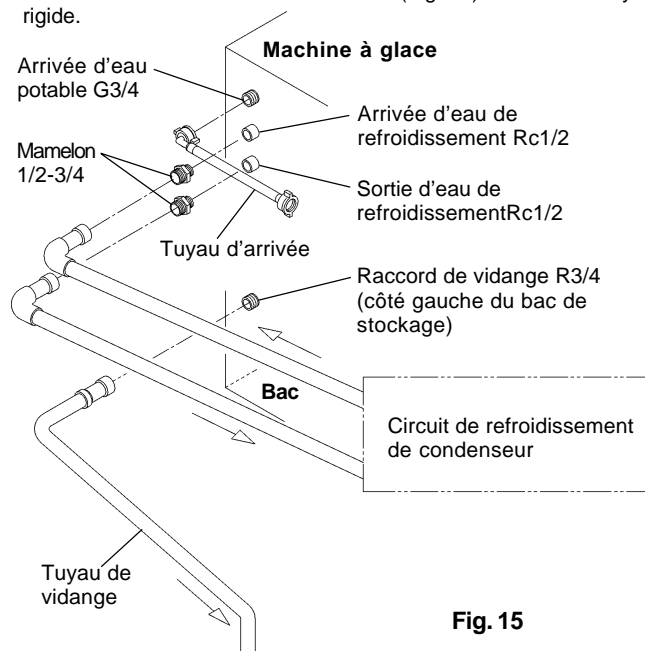


Fig. 15

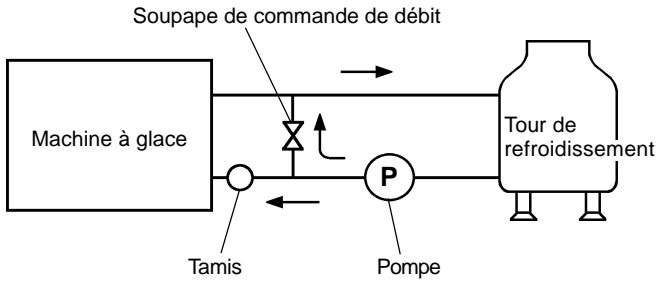


Fig. 16

## 8. DERNIERS CONTROLES

- 1) L'installation a-t-elle des fuites d'eau?
- 2) La machine à glace vibre-t-elle?
- 3) Les panneaux sont-ils tous fixés solidement?
- 4) L'utilisateur a-t-il lu et assimilé la Notice d'Utilisation?

### [b] Raccordements en dehors des réglementations WRC à l'aide des tuyaux des accessoires (Fig. 17)

- 1) Suivez les notices des paragraphes 1 à 4 figurant sous [a].
- 2) Utilisez les tuyaux des accessoires livrés pour effectuer les raccordements du condenseur et suivez les notices indiquées de 1 à 3 sous [a] jusqu'aux extrémités libres des mamelons 1/2-3/4 (Fig. 17).

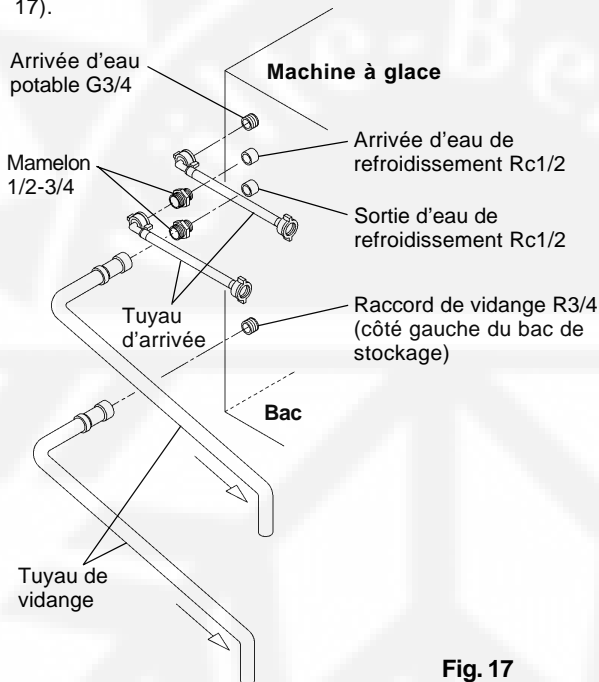


Fig. 17

## 7. MISE EN MARCHÉ

- 1) Débranchez l'alimentation électrique.
- 2) Ouvrez le robinet d'eau.
- 3) Branchez l'alimentation électrique et mettez sous tension.
- 4) Les éléments suivants se produisent en séquence:
  - a) Le compresseur se met en marche (le robinet de gaz chaud s'ouvre).
  - b) Ouverture complète du plateau d'eau.
  - c) La solénoïde d'eau s'ouvre.
  - d) Le plateau d'eau commence à se fermer (robinet de gaz chaud se ferme).
  - e) Fermeture complète du plateau d'eau - Moteur de la pompe se met en route.
  - f) La solénoïde d'eau se ferme.

### IMPORTANT

1. Vérifiez l'état et la qualité des glaçons.
2. N'utilisez pas les glaçons résultant d'un essai car le circuit d'eau risque de les avoir contaminés. Jetez-les.

## WICHTIG

- Bitte lesen Sie dieses Heft vor der Installation genau durch und befolgen Sie die Anweisungen darin, um das Gerät sicher und ordnungsgemäß zu installieren.
- Schalten Sie den Eisbereiter nach der Installation an, prüfen Sie ihn auf Unregelmäßigkeiten und weisen Sie den Anwender in die Wartung des Geräts entsprechend der Bedienungsanleitung ein.
- Dieses Heft sollte nach Fertigstellung der Installation dem Anwender übergeben und von diesem zusammen mit der Bedienungsanleitung sorgfältig aufbewahrt werden, damit auch später darin nachgeschlagen werden kann.

## ACHTUNG

Die Installation darf nur durch ausgebildetes Fachpersonal entsprechend sämtlicher relevanten Bestimmungen und Herstelleranweisungen erfolgen.

## 1. AUSPACKEN

### ACHTUNG

Kinder sind von allen Teilen der Verpackung (Plastikbeutel und Schaumstoff-Füllmaterial) fernzuhalten, da diese eine Gefahr darstellen.

### VORSICHT

Bitte den Verpackungskarton, Klebeband und anderes Verpackungsmaterial sorgfältig entfernen. Im Gerät verbleibendes Verpackungsmaterial beeinträchtigt die ordnungsgemäße Funktion.

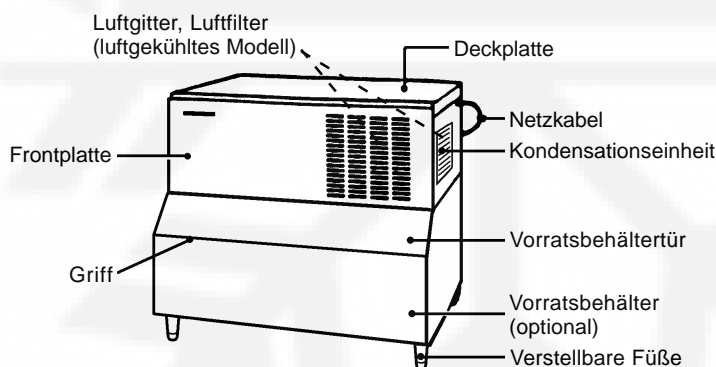


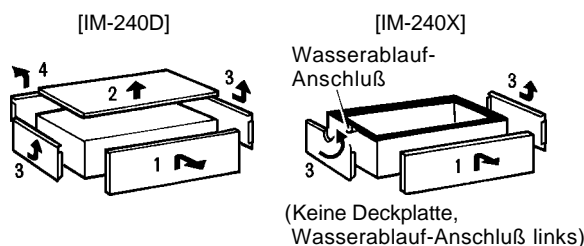
Abb. 1

Beachten: Dieser Eisbereiter benötigt einen Vorratsbehälter. Hoshizaki empfiehlt folgende Eisvorratsbehälter:

P-200SD	-----	IM-240D
F650-44	-----	IM-240D/IM-480D
F950-48	-----	IM-480D/IM-720D
F1025-52	-----	IM-480D/IM-720D

1) Nach dem Entfernen der Verpackung bitte den Zustand des Gerätes prüfen. Bei irgendwelchen Zweifeln hinsichtlich Funktionsfähigkeit den Eisbereiter nicht benutzen, sondern das Fachpersonal kontaktieren. Auch das Blatt am Vorratsbehälter mit den Bedienungsanleitungen zum Auspacken und Installieren beachten.

2) Verkleidung des Eisbereiters entfernen um an die Zubehörteile zu gelangen und die Installation zu vereinfachen.



a) Frontplatte: Schraube(n) entfernen. Anheben und zu sich hin ziehen.

- b) Deckplatte: Schraube(n) entfernen. Einfach abheben.  
 c) Seitenplatte: Schraube(n) entfernen. Leicht nach vorn schieben, dann abheben.  
 d) Rückplatte: Braucht nicht entfernt werden.

## Abb. 2

- 3) Die Packung mit den Zubehörteilen öffnen und ihren Inhalt prüfen:
- |   |   |
|---|---|
| a) Installationsteile (für luftgekühlte Geräte) |   |
| Zulaufschlauch                                  | 1 |
| Ablaufschlauch                                  | 1 |
| Installationsteile (für wassergekühlte Geräte)  |   |
| Zulaufschlauch                                  | 2 |
| Ablaufschlauch                                  | 2 |
| 1/2-3/4 Wasserzulauf                            | 2 |
| b) Eisschaufel (außer IM-240X)                  | 1 |
| c) Eiserschneide (nur IM-240X)                  | 1 |
| d) Ablaufrohrkragen (nur IM-240X)               | 1 |
| e) Dichtungsring (nur IM-240X)                  | 1 |

4) Entfernen Sie das Klebeband vom Schalter des Vorratsbehälters.

5) Die Schutzfolie von den Gerätewänden abziehen. Sollte der Eisbereiter Sonnenlicht oder Wärme ausgesetzt sein, die Schutzfolie erst nach dem Abkühlen des Gerätes abziehen.

## 2. AUFSTELLEN

### WICHTIG

- Dieser Eisbereiter ist nicht für den Betrieb im Freien vorgesehen. Die normale Betriebstemperatur sollte zwischen 1°C und 40°C und die normale Wassertemperatur zwischen 5°C und 35°C liegen. Durch den längeren Betrieb des Eisbereiters bei Temperaturen außerhalb dieser Grenzwerte kann seine Leistungsfähigkeit beeinträchtigt werden.
- Das Gerät nicht in der Nähe von Öfen, Grillgeräten oder anderen wärmeerzeugenden Anlagen aufstellen.
- Das Gerät auf stabilen und ebenen Untergrund aufstellen.
- An den Seiten, hinten und oben muß ein Abstand von 15 cm eingehalten werden, um eine gute Luftzirkulation zu gewährleisten und die Pflege bzw. Wartung des Gerätes zu erleichtern. Luftgekühlten Modellen sollte außerdem 30 cm Platz an der rechten Seite gewährt werden.
- Dieses Gerät eignet sich nicht für die Installation in Räumen, wo ein Wasserstrahl verwendet wird oder sich kein Tropfwasser bilden darf.
- Keinerlei Gegenstände auf die Oberseite des Gerätes oder vor das Luftgitter stellen.
- Der Eisbereiter funktioniert nicht bei Minustemperaturen. Um Schäden an der Wasserzufuhr vorzubeugen, sollte sämtliches Wasser aus dem Eisbereiter abgelassen werden, wenn die Lufttemperatur unter Null ist.

## 3. INSTALLATION

\* Durch eine unsachgemäße Installation können Verletzungen und Schäden an Menschen, Tieren und Sachen entstehen, für die der Hersteller keine Haftung übernehmen kann.

1) Den Vorratsbehälter vorsichtig auf die Rückseite legen, um Beschädigungen zu vermeiden. Die vier verstellbaren Füße (Zubehör für Vorratsbehälter) in die vier Gewindelöcher auf der Unterseite des Vorratsbehälters einschrauben. Siehe Abb. 3.

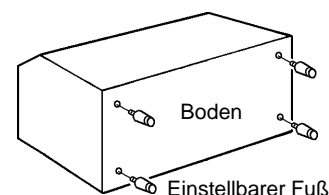


Abb. 3

- 2) Stellen Sie den Eisbereiter an dem ausgewählten, permanenten Standort auf und richten Sie ihn in beiden Richtungen (links-rechts und vorne-hinten) eben aus. Siehe Abb. 4.

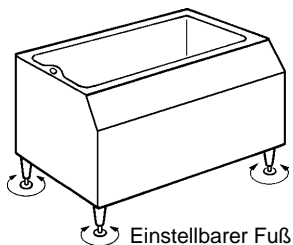


Abb. 4

- 3) Verkleidungen des Eisbereiters entfernen. Die Rückplatte muß nicht zur Installation entfernt werden. Siehe "1. AUSPACKEN".
- 4) Klebeband entfernen, welches die Ablaufschale hält.
- 5) Eisbereiter auf den Vorratsbehälter setzen. Passen Sie auf, daß Sie nicht den Rahmen des Eisbereiters und den Vorratsbehälterschalter beschädigen. Siehe Abb. 5.

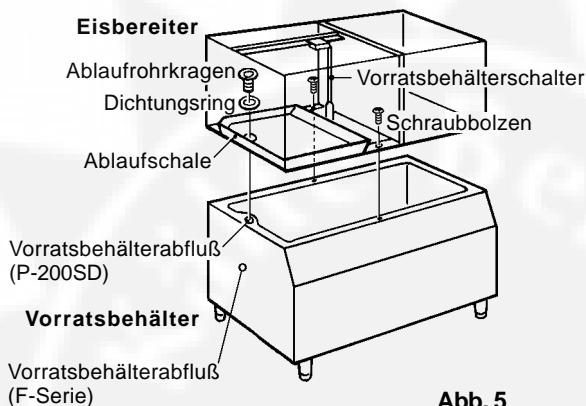


Abb. 5

- 6) Den Eisbereiter mit den dafür vorgesehenen Schrauben befestigen. Siehe Abb. 5.
- 7) Vorratsbehälterabflußloch mit dem Loch der Ablaufschale übereinander bringen. Dichtungsring (Zubehör für Vorratsbehälter) einlegen und Ablaufrohrkragen (Zubehör für Vorratsbehälter) befestigen. Siehe Abb. 5.

Beachten: Mit den Vorratsbehältern der F-Serie wird Ablaufrohrverlängerungszubehör mitgeliefert, welches von der Ablaufschale durch das vorgebohrte Loch an der Seite des Vorratsbehälters laufen soll.

- 8) Verkleidung des Eisbereiters wieder anbringen.

#### 4. STAPELN VON EISBEREITERN

##### ACHTUNG

Überprüfen Sie die Eisbereitermodelle. Ein Eisbereiter vom Typ D und einer vom Typ X werden zum Stapeln von zwei Geräten gebraucht. Ein Eisbereiter vom Typ D und zwei vom Typ X werden zum Stapeln von drei Geräten gebraucht. Typ D ist als oberste Einheit gedacht, Typ X als mittlere oder untere. Typ D und Typ X sind mit verschiedenen Vorratsbehälterschaltern ausgerüstet. Benutzen Sie den Vorratsbehälterschalter eines Geräts vom Typ X nur beim Stapeln von Eisbereitern. Von der oberen (und mittleren) Einheit muß der Vorratsbehälterschalter entfernt werden. Der Anschluß des Vorratsbehälterschalters von der unteren (und mittleren) zur oberen Einheit benötigt zusätzliche Verbindungsleitungen, die zur Ausstattung von Eisbereitern vom Typ X gehören. Fehlerhafter oder fehlender Anschluß kann zu ernsthaften Schäden am Eisbereiter und damit zum Ausfall führen.

- 1) Vorratsbehälter vorbereiten und aufsetzen gemäß 1) und 2) in Abschnitt "3. INSTALLATION".
- 2) Die Verkleidung des Eisbereiters abnehmen. Die Rückplatte muß nicht zur Installation entfernt werden. Siehe "1. AUSPACKEN".
- 3) Eisbereiter vorsichtig behandeln, um Beschädigung des Rahmens des Eisbereiters zu vermeiden.

- 4) Klebeband entfernen, welches die Ablaufschale hält.
- 5) Untere Einheit (Typ X) auf den Vorratsbehälter setzen. Siehe Abb. 6.
- 6) Untere Einheit mit den zwei Schrauben und zwei Plastikunterlegscheiben befestigen. Siehe Abb. 6.

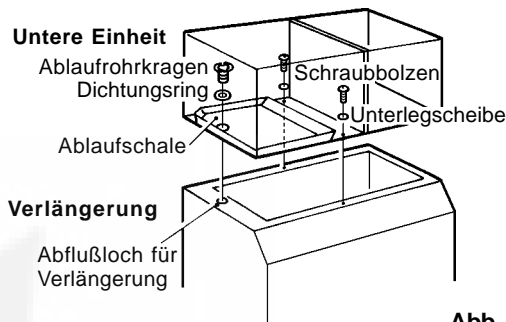


Abb. 6

- 7) Klebeband entfernen, welches den Vorratsbehälterschalter auf der Ablaufschale hält. Vorratsbehälterschalter am Rahmen links am Boden des Verflüssigers befestigen und mit mitgelieferten zwei Schrauben und Unterlegscheiben sichern. Siehe Abb. 7.

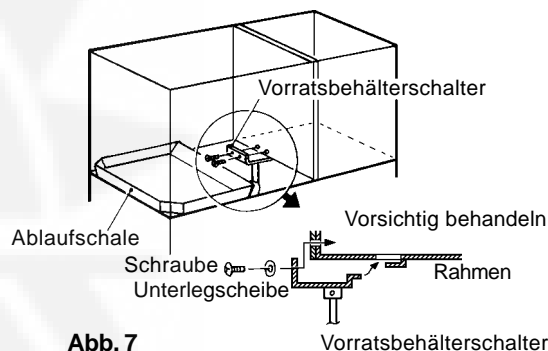
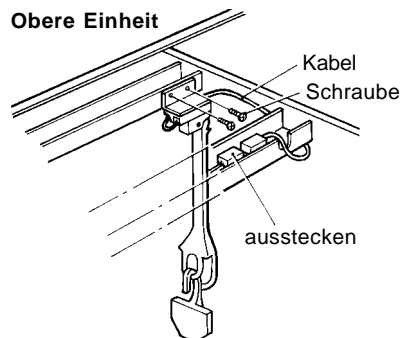


Abb. 7

- 8) [P-200SD]  
Abflußloch mit dem Loch der Ablaufschale übereinander bringen. Dichtungsring (Zubehör für Vorratsbehälter) einlegen und Ablaufrohrkragen (Zubehör für Vorratsbehälter) fest (bis zum empfohlenen Drehmoment von 39.2 Nm) eindrehen. Siehe Abb. 6.
- 9) [F-Serie]  
Ablaufrohrverlängerung einsetzen. Kontermutter vom Gewindeabschnitt abdrehen und das Gewinderohr durch das Loch auf der Vorratsbehälterseite führen. Ablaufschale einpassen, Ablaufrohrkragen und Dichtung in das freie Ende des Rohrs einsetzen und anziehen. Rohr mit der Kontermutter an der Außenseite des Vorratsbehälters sichern und befestigen.
- 10) Durchsichtige Schutzabdeckung vom Kabelkanal der oberen oder unteren Einheit vor dem Stapeln entfernen. Kabel des Vorratsbehälterschalters abziehen (mit 3-Weg-Stecker). Schrauben und Vorratsbehälterschalter entfernen. Wenn zwei oder mehr Eisbereiter aufeinander gestapelt werden, wird dieser Schalter nicht benötigt. Bewahren Sie ihn nach dem Entfernen auf. Siehe Abb. 8.



Vorratsbehälterschalter entfernen

Abb. 8

- 11) Verbinden Sie die obere oder mittlere Einheit mit der unteren. Siehe Abb. 9.

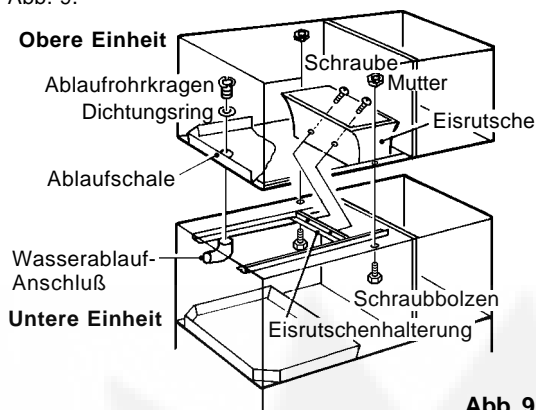


Abb. 9

- 12) Die zwei Einheiten mittels der mitgelieferten zwei Schraubbolzen und zwei Muttern sichern. Siehe Abb. 9.
- 13) Abflußloch der unteren Einheit mit dem Loch der Ablaufschale der oberen Einheit übereinander bringen. Dichtungsring (Zubehör für untere Einheit) einlegen und Ablaufrohrkragen (Zubehör für untere Einheit) befestigen. Siehe Abb. 9.
- 14) Eisrutsche einsetzen (Zubehör für untere Einheit) und mit den zwei Schrauben an der Halterung befestigen.
- 15) Im Kabelkanal der unteren Einheit befindliche Kabel, die in Schritt 10) ausgesteckt wurden, (mit 3-Wege-Stecker) mit denen der oberen oder mittleren Einheit verbinden. Kabel mit mitgelieferter Plastikklammer sichern. Plastikabdeckung wieder aufsetzen. Siehe Abb. 10.
- 16) Verkleidung des Eisbereiters wieder anbringen.

Beachten: Zum Stapeln von drei Eisbereitern Schritte 10) - 16) für die obere Einheit wiederholen. Nicht vergessen, daß unabhängig von der Konfiguration nur EIN Vorratsbehälterschalter gebraucht wird. Die Verlängerungskabel sind vorgefertigt mit dem Stecker verbunden und zusammengerollt im Kabelkanal der Einheiten vom Typ X zu finden.

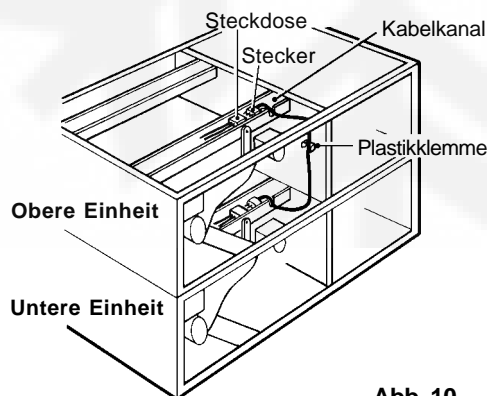


Abb. 10

## 5. ELEKTRISCHE ANSCHLÜSSE

### ACHTUNG

#### DIESES GERÄT MUSS GEERDET WERDEN

Dieser Eisbereiter benötigt einen Schutzkontakt, der den nationalen und lokalen Bestimmungen entspricht. Zum Schutz gegen elektrischen Schlag und/oder Maschinenschäden ist der Eisbereiter mit einem Erdleiter auszurüsten. Vor sämtlichen Wartungs-, Reparatur- oder Reinigungsarbeiten immer den Netzstecker ziehen.

- \* Dieses Gerät benötigt eine separate Netzstromversorgung/Steckdose mit einer Spannung von 220 - 240 V.
- \* Gestapelte Eisbereiter sollten jeder eine eigene Steckdose haben, wobei sie an die gleiche Stromversorgung (mit ausreichender

Stromstärke) parallel angeschlossen sein sollten. Außerdem sollte, um Ärgerissen beim Einschalten vorzubeugen, nicht für jedes Gerät ein eigener Ein-/Ausschalter installiert werden.

- \* Die Hauptsicherung im Steuerschrank ist für eine Stromstärke von 5 Amp. ausgelegt und nur von einem autorisierten Fachtechniker auszuwechseln.
- \* Normalerweise ist dies von einem Elektriker mit entsprechender Qualifikation auszuführen.
- \* Das Auswechseln des Netzkabels oder Netzsteckers sollte nur von einem autorisierten Fachtechniker ausgeführt werden.
- \* Die Drähte im Hauptkabel sind nach dem folgenden Farbcode gekennzeichnet:

Grün & Gelb = Erde  
Blau = Neutral  
Braun = Stromführend

Die Leiterfarben im Netzkabel dieses Geräts stimmen möglicherweise nicht mit den Farbmarkierungen im Stecker überein, daher immer wie folgt vorgehen:

Der grün-gelbe Leiter wird an die Klemme angeschlossen, die mit dem Buchstaben E oder dem Symbol  $\perp$  oder grün bzw. grün-gelb markiert ist. Der blaue Leiter wird an die Klemme angeschlossen, die mit dem Buchstaben N oder schwarz markiert ist. Der braune Leiter wird an die Klemme angeschlossen, die mit dem Buchstaben L oder rot markiert ist.

- \* Falls der mit dem Gerät gelieferte Stecker für die Netzsteckdose am Installationsort ungeeignet ist, muß er entfernt (bzw. abgeschnitten, wenn er verkapselt ist) und durch einen passenden Stecker ersetzt werden.

Ein abgeschnittener, verkapselter (nicht zugänglicher) Stecker muß entsorgt werden. Versuchen Sie nicht, ihn wiederzuverwenden. Durch das Einstecken eines solchen Steckers in eine Netzsteckdose setzen Sie sich der Gefahr eines elektrischen Schlags aus.

## 6. WASSERVERSORGUNG UND ROHRANSCHLÜSSE

- \* Dieser Eisbereiter darf nur mit Trinkwasser gefüllt werden.
- \* Der Versorgungswasserdruck darf den Bereich zwischen 0,5 bar und 8 bar nicht unter- bzw. überschreiten. Bei einem höheren Druck als 8 bar muß ein Druckreduzierventil verwendet werden. Die Wasserzufuhr darf NICHT gedrosselt werden.
- \* In bestimmten Gebieten sind eine Installationsgenehmigung und die Dienste eines zugelassenen Installateurs erforderlich.
- \* Der Abfluß des Wasser aus dem Eisbereiter erfolgt durch Schwerkraft; daher ist auf ein ausreichendes Gefälle der Ablaufleitung zu achten.
- \* Das Wasser sollte in einen offenen Abflußkanal ablaufen.

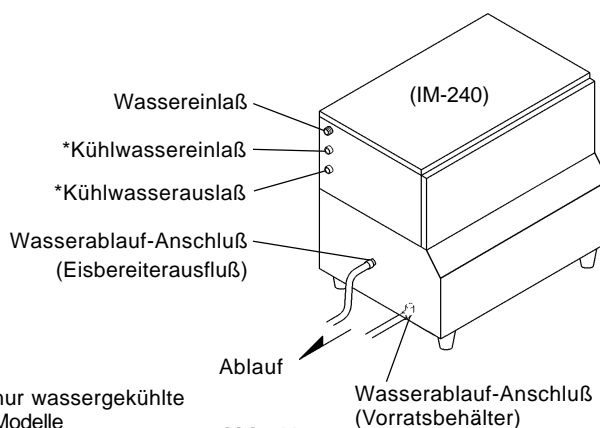


Abb. 11

\* nur wassergekühlte Modelle

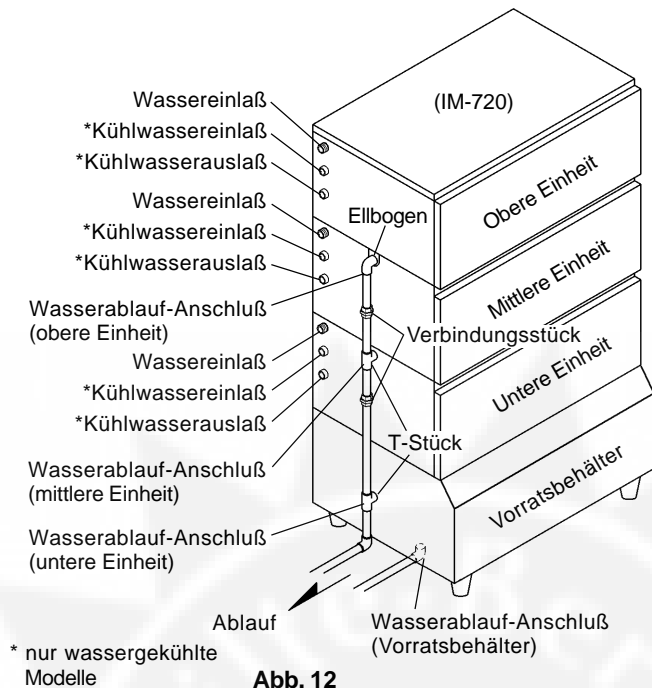


Abb. 12

\* Der Vorratsbehälter hat zwei Wasserablauf-Anschlüsse. Der obere/äußere ist für den Eisbereiterausfluß, der untere/innere für den Vorratsbehälter. Die beiden Ablaufleitungen müssen getrennt sein, um Rücklauf in den Vorratsbehälter zu verhindern.

\* Bei wassergekühlten Modellen kann eine Rücklaufperre im Kühlwasserkreislauf nötig sein.

## [Luftgekühlte Modelle]

1) Abgewinkeltes Ende des weißen, flexiblen Zulaufschlauchs (Zubehör) auf den G3/4-Anschluß an der linken Seite des Eisbereiters aufstecken. Dabei darauf achten, daß die Gummidichtung richtig liegt. Per Hand anziehen, bis die Verbindung dicht ist (Abb. 13).

2) Das andere Ende des Zulaufschlauchs auf den Wasserhahn (Abb. 14) stecken, dabei wie oben darauf achten, daß die Gummidichtung richtig liegt und festziehen. Vorsichtshalber sollte das Absperrventil in Reichweite sein.

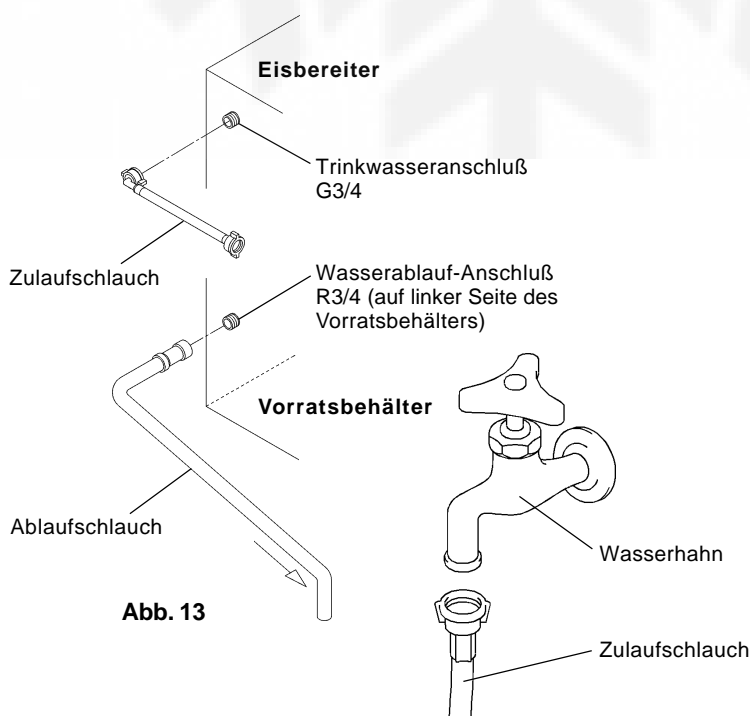


Abb. 13

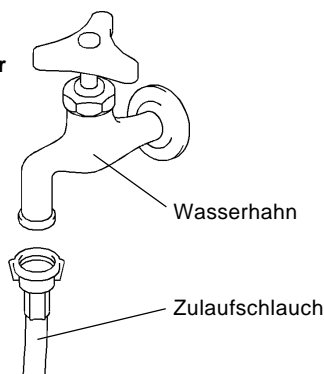


Abb. 14

3) Befestigen Sie wie gezeigt den grauen, flexiblen Ablaufschlauch (Zubehör) am R3/4-Anschluß auf der linken Seite des Vorratsbehälters. Dabei darauf achten, daß die Gummidichtung richtig liegt, damit die Verbindung dicht ist. Der Schlauch kann auf die richtige Länge zugeschnitten werden, um auf den Hauptabfluß zu passen.

Beachten: Verbindungsstücke müssen zum Gebrauch mit Trinkwasser genehmigt und geeignet sein.

## [Wassergekühlte Modelle]

\* Hoshizaki empfiehlt, wassergekühlte Verflüssiger an ein Kühlsystem mit geschlossenem Kreislauf anzuschließen, welches einen Kühlturm oder Wasserkühler o.ä. benutzt (Siehe Abb. 15 und 16). Das Einfüllen mit Wasser sollte über ein Kugelventil/-unterbrecher Tanksystem reguliert werden.

\* Der direkte Anschluß an einen (Trink-)Wasserhahn beeinträchtigt zwar nicht die Leistung der Maschine, wird aber sicherlich zu einer Wasserverschwendung führen und wird daher nicht empfohlen.

\* Die Dienste eines zugelassenen Installateurs sollten in Anspruch genommen werden, um die richtige Installation zu gewährleisten.

\* Die Anschlüsse müssen nationalen oder lokalen Bestimmungen genügen.

## [a] Standardanschlüsse entsprechend der WRC-Bestimmungen im Vereinigten Königreich (Abb. 15 und 16)

\* Bei der Auswahl eines Kühlturms müssen Sie auf folgende Spitzenwerte für den Wärmefluß im Verflüssiger achten:

Modell IM-240DW/XW: 5235 kcal/h

\* Rohre zwischen dem Kühlturm und dem Eisbereiter müssen wenigstens 20 mm im Durchmesser sein, um Druckverluste zu verringern, auch wenn die Anschlüsse des Eisbereiters nur 13 mm im Durchmesser sind.

\* Der Druckverlust im Wasserkreislauf im Inneren der Einheit wird bei einem Kühlwasserumlauf von 4 bis 5 l/min 5 bis 6 m sein.

\* Wählen Sie eine Umwälzpumpe, die zu den obigen Werten des Wärmeflusses paßt.

\* Benutzen Sie keine Kaskadenpumpe, da der Wasserregler dann den Fluß verändert und ihn während des Auftauzyklus anhält.

\* Der Siebfilter muß periodisch gesäubert werden.

## [Anschlüsse des Eisbereiters]

1) Abgewinkeltes Ende des weißen, flexiblen Zulaufschlauchs (Zubehör) auf den G3/4-Anschluß auf der linken Seite des Eisbereiters aufstecken. Dabei darauf achten, daß die Gummidichtung richtig liegt. Per Hand anziehen, bis die Verbindung dicht ist.

2) Das andere Ende des Zulaufschlauchs auf den Wasserhahn (Abb. 14) stecken, dabei wie oben darauf achten, daß die Gummidichtung richtig liegt und festziehen.

Beachten: Falls eine Filterung oder Aufbereitung benutzt wird, müssen Sie sicher stellen, daß nur der Eisbereiterabschnitt an der aufbereiteten Wasserzufuhr angeschlossen ist, nicht der Verflüssiger.

3) Den grauen, flexiblen Ablaufschlauch (Zubehör) wie in (Abb. 15) gezeigt an den R3/4-Anschluß an der linken Seite des Vorratsbehälters festschrauben, dabei wieder darauf achten, daß der Gummidichtungsring sicher eingepaßt ist. Verbindung von Hand festschrauben. Dieser Schlauch kann zum Abfließen in einen Kanal auf die richtige Länge zugeschnitten werden.

4) Mit einem passenden Schraubenschlüssel die 1/2-3/4 Wasserzuläufe (Zubehör) in die Rc1/2-Anschlüsse auf der linken Seite des Eisbereiters eindrehen. Mit PTFE-Band oder geeignetem Abdichtmittel die Verbindung abdichten.

Beachten: Verbindungsstücke müssen zum Gebrauch mit Trinkwasser genehmigt und geeignet sein.

- 5) Mittels eines geeigneten starren Rohrs den Kühlkreislauf des Verflüssigers mit den freien Enden der 1/2-3/4 Wasserzulaufe wie dargestellt (Abb. 15) verbinden.

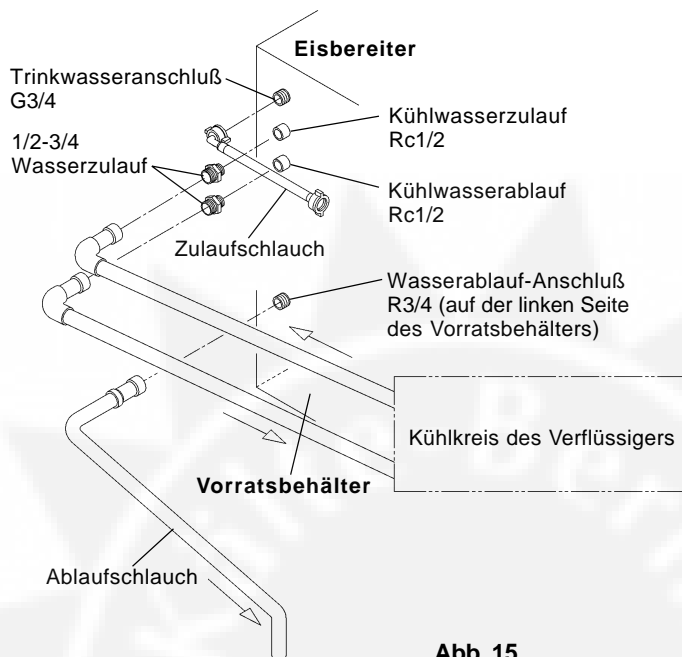


Abb. 15

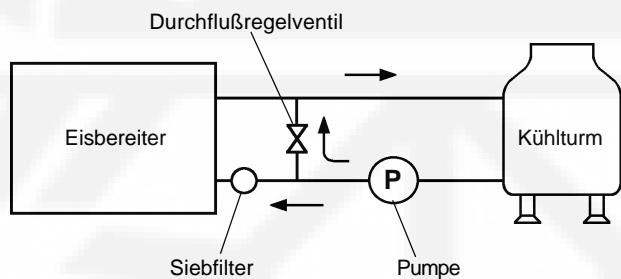


Abb. 16

**[b] Anschlüsse entsprechend anderer als der WRC-Bestimmungen für Zubehörschläuche (Abb. 17)**

- 1) Folgen Sie den obigen Anweisungen 1) bis 4) von [a].
- 2) Zum Anschluß des Verflüssigers mit den mitgelieferten Zubehörschläuche die gleichen Verbindungen wie oben in 1) bis 3) von [a] an den freien Enden der 1/2-3/4 Wasserzulaufe ausführen (Abb. 17).

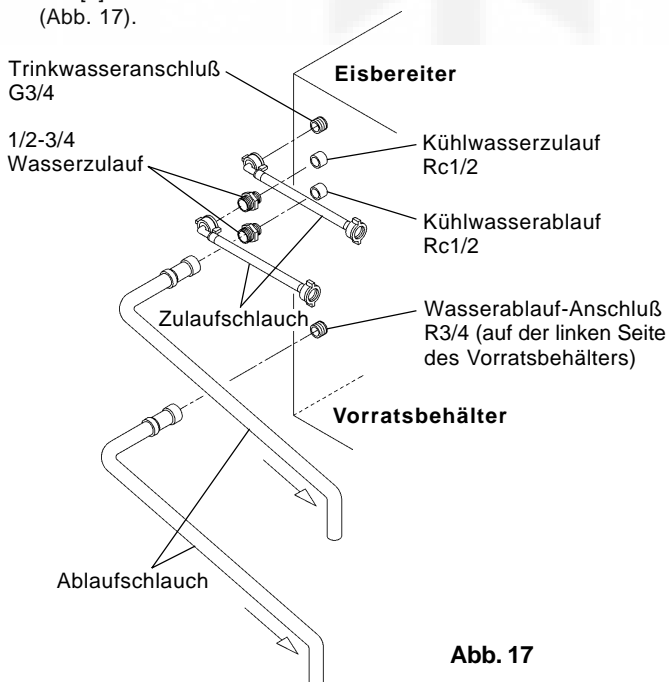


Abb. 17

## 7. INBETRIEBNAHME

- 1) Stromversorgung abtrennen.
- 2) Wasserhahn aufdrehen.
- 3) Stromversorgung wieder anschließen und einschalten.
- 4) Folgendes sollte der Reihe nach passieren:
  - a) Kompressor startet (Ventil für heißes Gas offen).
  - b) Wasserwanne öffnet sich.
  - c) Wassermagnetventil öffnet sich.
  - d) Wasserwanne beginnt sich zu schließen (Ventil für heißes Gas geschlossen).
  - e) Wasserwanne ganz geschlossen - Pumpenmotor startet.
  - f) Wassermagnetventil schließt sich.

**WICHTIG**

1. Zustand und Qualität der Eisbereitung prüfen.
2. Kein Eis aus Probeläufen benutzen. Es kann noch mit Fremdstoffen aus dem Wasserkreislauf verunreinigt sein. Entsorgen oder in den Abfluß spülen.

## 8. ABSCHLIESSENDE PRÜFUNGEN

- 1) Ist die Installation ohne Lecks?
- 2) Läuft der Eisbereiter vibrationslos?
- 3) Sind alle Platten fest und sicher?
- 4) Wurde der Anwender in die korrekte Bedienung der Maschine eingewiesen und wurde ihm die Bedienungsanleitung übergeben?

## BELANGRIJK

1. Voor een goede veilige installatie van het product moet u dit boekje van tevoren lezen en de instructies erin opvolgen.
2. Bij voltooiing van de installatie moet u de ijsblokjesmachine opstarten om te controleren op afwijkingen en de gebruiker instructies te geven over hoe de ijsmachine moet worden gebruikt en onderhouden in overeenstemming met de instructiehandleiding.
3. Dit boekje moet na de installatie aan de gebruiker worden overhandigd en samen met de instructiehandleiding worden bewaard voor als er verdere raadpleging nodig is.

## WAARSCHUWING

Het installeren moet worden uitgevoerd door gekwalificeerde personen, in overeenstemming met de geldende regulaties en overeenkomstig de instructies van de fabrikant.

## 1. UITPAKKEN

### WAARSCHUWING

Houd de verpakking (plastic zakken en polystyreenschuim) uit de buurt van kinderen. Deze producten vormen een potentieel gevaar.

### VOORZICHTIG

Verwijder al het karton, plakband en verpakkingsmateriaal. Achtergebleven verpakkingsmaterialen hebben een nadelig effect op de goede werking van de machine.

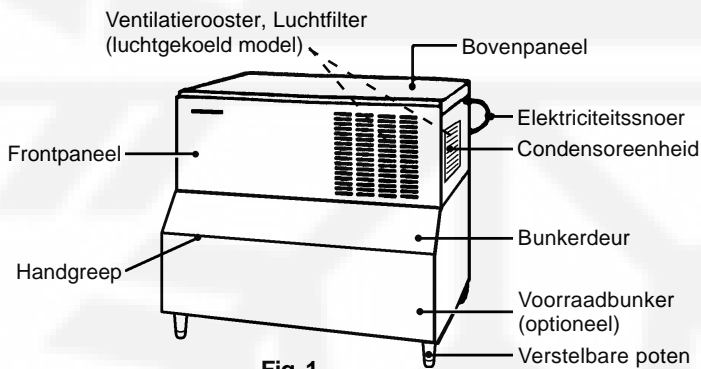
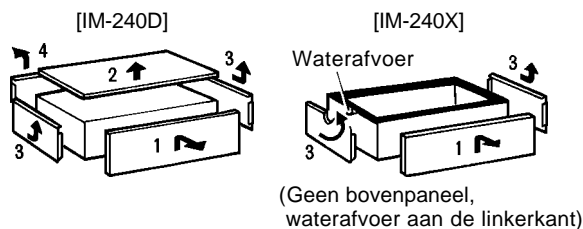


Fig. 1

N.B.: Deze ijsblokjesmachine heeft een voorraadbunker nodig. Hoshizaki raadt de volgende voorraadbunkers aan:

P-200SD ----- IM-240D  
 F650-44 ----- IM-240D/IM-480D  
 F950-48 ----- IM-480D/IM-720D  
 F1025-52 ----- IM-480D/IM-720D

- 1) Na de verpakking verwijderd de te hebben moet u controleren of de ijsblokjesmachine en de voorraadbunker in goede staat zijn. Bij twijfel moet u de apparatuur niet gebruiken, maar moet u de hulp van professioneel gekwalificeerd personeel inroepen. Zie het instructieblad dat aan de voorraadbunker zit voor de uitpak- en installatierichtlijnen.
- 2) Verwijder de panelen van de ijsblokjesmachine om bij de accessoirekit te kunnen en om de installatie te vergemakkelijken.



- a) Frontpaneel: Verwijder de schroef/schroeven. Optillen en naar u toe trekken.
- b) Bovenpaneel: Verwijder de schroef/schroeven. Eraf tillen.

- c) Zijpaneel: Verwijder de schroef/schroeven. Iets naar voren schuiven en eraf tillen.
- d) Achterpaneel: Hoeft niet verwijderd te worden.

Fig. 2

- 3) Verwijder het accessoirepakket en controleer de inhoud:

a) Installatiekit (luchtgekoeld)	
Toevoerslang	1
Afvoerslang	1
Installatiekit (watergekoeld)	
Toevoerslang	2
Afvoerslang	2
1/2-3/4 nippel	2
b) Ijsschep (behalve IM-240X)	1
c) Ijsafvoertrechter (alleen IM-240X)	1
d) Afvoerpijphals (alleen IM-240X)	1
e) Pakking (alleen IM-240X)	1

- 4) Verwijder de tape waarmee de bunkerschakelaar is vastgezet.
- 5) Verwijder de beschermfolie van de buitenkant van de machine. Indien de machine is blootgesteld aan zonlicht of hitte, kan de beschermfolie pas worden verwijderd nadat de machine is afgekoeld.

## 2. LOCATIE

### BELANGRIJK

1. Deze ijsmachine is niet ontworpen voor gebruik buitenshuis. De normale omgevingstemperatuur ligt tussen de 1°C tot 40°C. De normale watertemperatuur ligt tussen 5°C en 35°C. Langdurig gebruik van de ijsmachine buiten deze temperatuurgebieden kan gevolgen hebben op de productcapaciteit.
2. De ijsblokjesmachine mag niet worden geplaatst naast ovens, grills of andere hitte-producerende apparatuur.
3. De ondergrond van de machine moet vlak en stevig zijn.
4. Houd voor goede luchtcirculatie en gemak bij onderhoud en/of service een ruimte van 15cm aan de achterkant, zijkanten en bovenkant vrij. Houd voor luchtgekoelde modellen 30cm vrij aan de rechter zijkant.
5. Deze machine is niet geschikt voor installatie op een locatie waar een hogedrukreiniger wordt gebruikt en waar druppels niet zijn toegestaan.
6. Er mag niets bovenop de machine of voor de ventilatioeroosters worden geplaatst.
7. Deze machine werkt niet bij vorsttemperaturen. Om te voorkomen dat de watertoevoerleiding beschadigd raakt moet u de machine leeg laten lopen als de luchttemperatuur onder nul is.

## 3. INSTALLATIE

\* Verkeerde installatie kan mensen en dieren letsel toebrengen of materiële schade veroorzaken. De fabrikant aanvaardt hiervoor geen aansprakelijkheid.

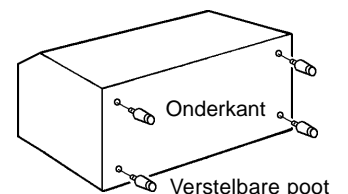


Fig. 3

- 1) Leg de voorraadbunker voorzichtig op de achterzijde om schade te voorkomen. Draai de vier verstelbare poten vast (bunkeraccessoire) in de vier getapte gaten op de onderkant van de bunker. Zie fig. 3.

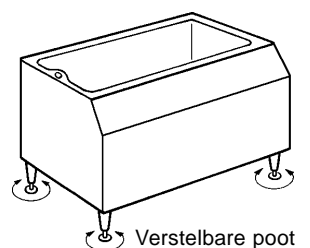


Fig. 4

- 2) Plaats de voorraadbunker op de geselecteerde permanente locatie en zet hem waterpas in de links-rechts en voorkant-achterkant richting. Zie fig. 4.

- 3) Verwijder de ijsmachinepanelen. Het achterpaneel hoeft niet te worden verwijderd voor installatie. Zie "1. UITPAKKEN".
- 4) Verwijder het transportplakband waarmee de afvoerbak vast zit.
- 5) Plaats de ijsblokjesmachine bovenop de voorraadbunker. Wees voorzichtig dat u het frame van de ijsblokjesmachine en de bunkerschakelaar niet beschadigt. Zie fig. 5.

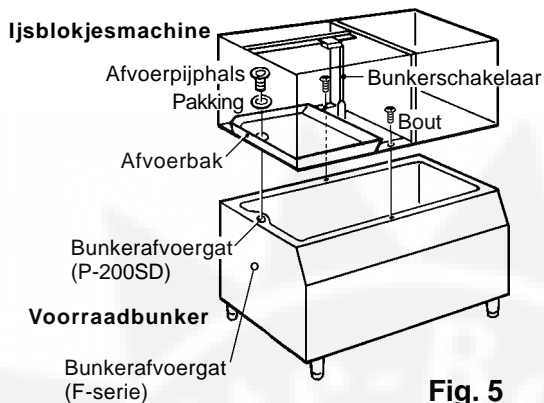


Fig. 5

- 6) Bevestig de ijsblokjesmachine met de twee meegeleverde bouten. Zie fig. 5.
- 7) Lijn het afvoergat van de voorraadbunker uit met het afvoergat van de afvoerbak. Breng de pakking (bunkeraccessoire) aan en draai de afvoerpijphals (bunkeraccessoire) vast. Zie fig. 5.

N.B.: Bij de F-serie bunkers wordt een verlengafvoerbuis meegeleverd die aan de afvoerbak van de ijsblokjesmachine en de uitgangen via de voorgeboorde gaten in de zijkant van de bunker wordt bevestigd.

- 8) Plaats de ijsmachinepanelen terug op hun juiste plaats.

#### 4. STAPELEN VAN IJSBLOKJESMACHINES

##### WAARSCHUWING

Controleer de ijsmachin modellen. Er zijn een D-type ijsmachine en een X-type ijsmachine nodig om twee ijsmachines te kunnen stapelen. Er zijn een D-type ijsmachine en twee X-type ijsmachines nodig om 3 machines te kunnen stapelen. De D-type ijsmachine moet dan als bovenste machine worden gebruikt en het X-type voor de middelste en de onderste machine. De D-type en X-type ijsmachines worden met twee verschillende soorten bunkerschakelaars geleverd. Gebruik de bunkerschakelaar van de onderste X-type ijsmachine alleen bij gestapelde ijsmachines. De bunkerschakelaar moet van de bovenste en middelste machine worden verwijderd. Voor het aansluiten van de bunkerschakelaar van de onderste (en de middelste) machine op de bovenste machine zijn extra aansluitsnoeren nodig, die worden geleverd met de X-type machine. Een verkeerde aansluiting of geen aansluiting kan ernstige schade aan de ijsmachines veroorzaken, waardoor defecten ontstaan.

- 1) Bereid de voorraadbunker voor en plaats hem zoals aangegeven in 1) en 2) in "3. INSTALLATIE".
- 2) Verwijder de ijsmachinepanelen. Het achterpaneel hoeft niet te worden verwijderd voor installatie. Zie "1. UITPAKKEN".
- 3) Verplaats de machine voorzichtig om schade aan het frame van de ijsmachine te voorkomen.
- 4) Verwijder het transportplakband waarmee de afvoerbak vast zit.
- 5) Bevestig de onderste machine (X-type) op de bovenkant van de voorraadbunker. Zie Fig. 6.
- 6) Bevestig de onderste machine met de twee meegeleverde bouten en plastic ringetjes. Zie fig. 6.

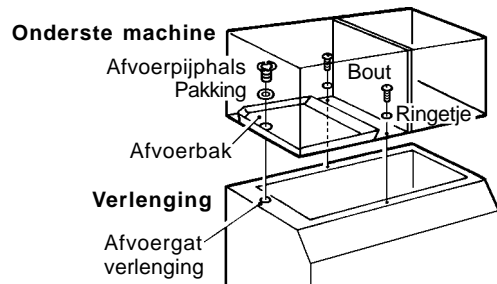


Fig. 6

- 7) Verwijder het transportplakband waarmee de bunkerschakelaar aan de afvoerbak is bevestigd. Bevestig de bunkerschakelaar aan het frame dat aan de linker onderkant van de condensoreenheid zit, en bevestig hem met de twee meegeleverde schroeven en ringetjes. Zie fig. 7.

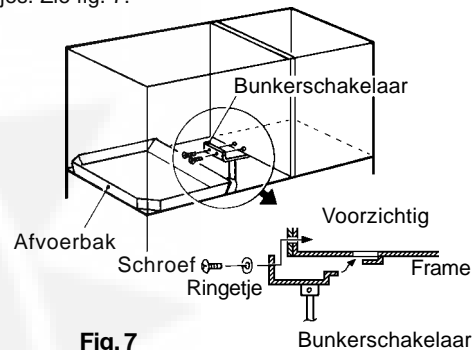
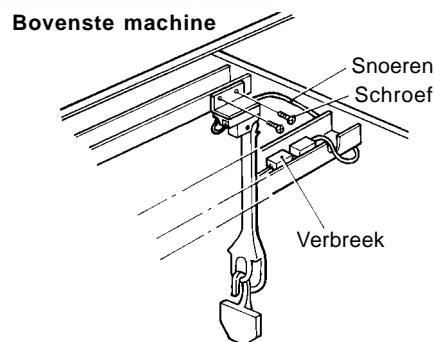


Fig. 7

- 8) [P-200SD]  
Lijn het afvoergat en het afvoergat van de afvoerbak uit. Breng de pakking aan (bunkeraccessoire) en draai de afvoerpijphals (bunkeraccessoire) stevig vast, binnen de aanbevolen torsie van 39.2 Nm. Zie fig. 6.
- 9) [F-serie]  
Plaats de afvoerbuisverlenging. Verwijder de slotbout van het schroefdraad en druk de pijp met schroefdraad door het gat in de zijkant van de bunker. Lijn de afvoerbak uit en breng de afvoerpijphals en -pakking aan in het vrije uiteinde van de buis en draai vast. Bevestig de buis door de slotbout opnieuw aan te brengen en de buitenzijde van de bunker vast te maken.
- 10) Voordat u gaat stapelen moet u de plastic afdekking op het bedradingskanaal van de bovenste of middelste machine verwijderen. Sluit de bedrading van de bunkerschakelaar af (met driewegstekker). Verwijder de schroeven en de bunkerschakelaar. Als u twee of drie ijsmachines stapelt is deze schakelaar niet nodig. Bewaar hem nadat u hem heeft verwijderd. Zie fig. 8.



Verwijder bunkerschakelaar

Fig. 8

- 11) Bevestig de bovenste of middelste machine aan de onderste. Zie fig. 9.
- 12) Bevestig de twee machines met de twee meegeleverde bouten en moeren aan elkaar. Zie fig. 9.
- 13) Lijn het afvoergat van de onderste machine uit met het afvoergat van de afvoerbak. Breng de pakking (accessoire voor de onderste

machine) aan en draai de afvoerpijphals (accessoire onderste machine) vast. Zie fig. 9.

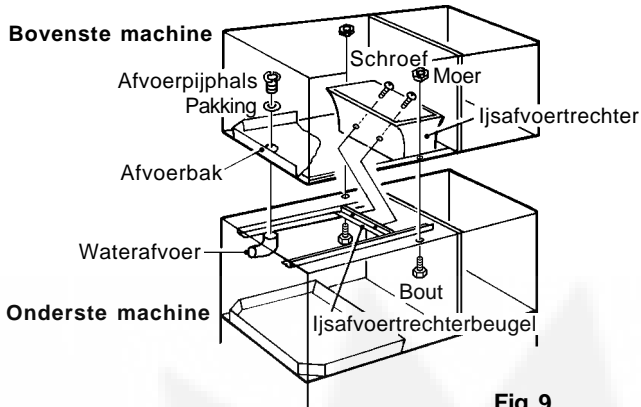


Fig. 9

14) Plaats de ijsafvoertrechter (accessoire voor de onderste machine) en bevestig hem met twee schroeven aan de beugel.

15) Sluit de snoeren (met driewegstekker) in het bedradingskanaal van de onderste machine aan op het stopcontact van de middelste of bovenste machine, die bij stap 10 was verwijderd. Bevestig de snoeren met behulp van de meegeleverde plastic klem. Plaats de plastic afdekking terug. Zie fig. 10.

16) Plaats de ijsmachinepanelen terug in hun correcte positie.

N.B.: Bij het stapelen van drie ijsmachines moet u de instructies 10) tot 16) herhalen voor de bovenste machine. Onthoud dat er maar **ÉÉN** bunkerschakelaar nodig is, ongeacht de configuratie. De verlengingssnoeren van de bunkerschakelaar zijn voorbedraad met de stekker, en u kunt ze opgerold in het X-type bedradingskanaal vinden.

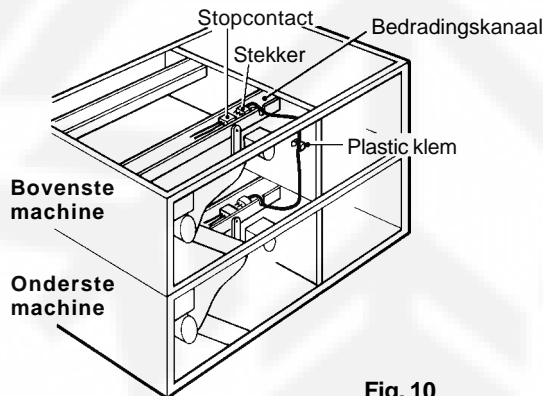


Fig. 10

## 5. ELEKTRISCHE AANSLUITINGEN

### WAARSCHUWING

#### DIT APPARAAT MOET GEAARD WORDEN

Deze ijsmachine moet worden geaard overeenkomstig de nationale en plaatselijke voorschriften. Om elektrocutie van personen of schade aan de apparatuur te voorkomen moet een geschikte aardingsdraad worden aangebracht. Voordat met onderhoud, reparatie of reiniging wordt begonnen moet de stekker uit het stopcontact worden genomen.

\* Deze ijsblokjesmachine moet worden aangesloten op een aparte elektrische voeding of stopcontact van 220 - 240 Volt.

\* Gestapelde ijsblokjesmachines moeten een apart stopcontact hebben, maar ze moet allemaal parallel op dezelfde enkelfasevoeding of -circuit met voldoende stroomsterkte worden aangesloten. Er mag maar één contactverbreker per machine worden gebruikt, omdat de machine daardoor te vaak wordt uitgeschakeld.

\* De zekering in de hoofdschakelkast is nominaal 5A en mag alleen door een gekwalificeerde onderhoudsmonteur worden vervangen.

\* Gewoonlijk is een vergunning nodig en moet een bevoegde elektricien worden geraadpleegd.

\* Indien het elektrische snoer en de stekker moeten worden vervangen, dient dit te worden gedaan door een gekwalificeerde onderhoudsmonteur.

\* De draden in de voedingskabel zijn gekleurd overeenkomstig de volgende code:

Groen en geel = aarde  
Blauw = neutraal  
Bruin = fase

Omdat de kleuren van de draden in de voedingskabel van dit apparaat een andere kleur kunnen hebben dan die van de klemmen in uw stekker, moet als volgt te werk worden gegaan:

De geel met groene draad moet op de klem in de stekker worden aangesloten die is gemerkt met de letter E, of met het symbool  $\perp$ , of die groen of groen/geel gekleurd is. De blauwe draad moet worden aangesloten op de klem die is gemerkt met de letter N, of die zwart gekleurd is. De bruine draad moet op de klem worden aangesloten die is gemerkt met de letter L, of die rood gekleurd is.

\* Indien het stopcontact op de plaats van installatie niet geschikt is voor de bijgeleverde stekker, moet de stekker worden verwijderd (afsnijden indien het een gegoten stekker is) en door een passende stekker worden vervangen.

Een gegoten stekker die van het snoer is afgesneden moet worden weggegooid en mag niet opnieuw gebruikt worden. Het aanbrengen van zo'n stekker in een stopcontact ergens anders houdt een ernstig risico op elektrocutie in.

## 6. AANSLUITINGEN VOOR WATERTOEVOER EN WATERAFVOER

\* Er mag alleen drinkwater worden gebruikt voor de ijsmachine.

\* De toegevoerde waterdruk moet ten minste 0,5 bar en maximaal 8 bar bedragen. Indien de waterdruk meer is dan 8 bar, moet gebruik gemaakt worden van een reduceerventiel. De watertoevoer kraan mag voor dit doel **NIET** gedeeltelijk worden dicht- gedraaid.

\* In sommige gebieden is een loodgietersvergunning nodig, en de diensten van een bevoegde loodgieter.

\* Het afvoerwater van de ijsmachine stroomt onder natuurlijk verval; zorg voor een afvoerbuis op een geschikte hoogte en een goed verval.

\* Het water moet worden afgevoerd in een open waterslot.

\* De voorraadbunker heeft twee waterafvoeren. De bovenste/buitenste is voor afval van de ijsmachine, en onderste/binnenste is voor de bunker. De twee afvoerleidingen moeten worden gescheiden om terugstromen in de opslagbunker te voorkomen.

\* Watergekoelde modellen hebben soms een terugslagklep nodig in het koelwatercircuit.

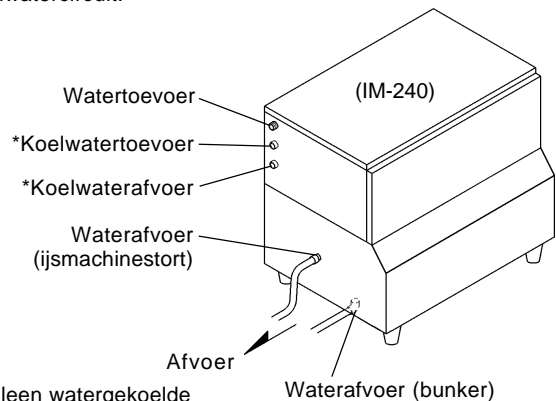
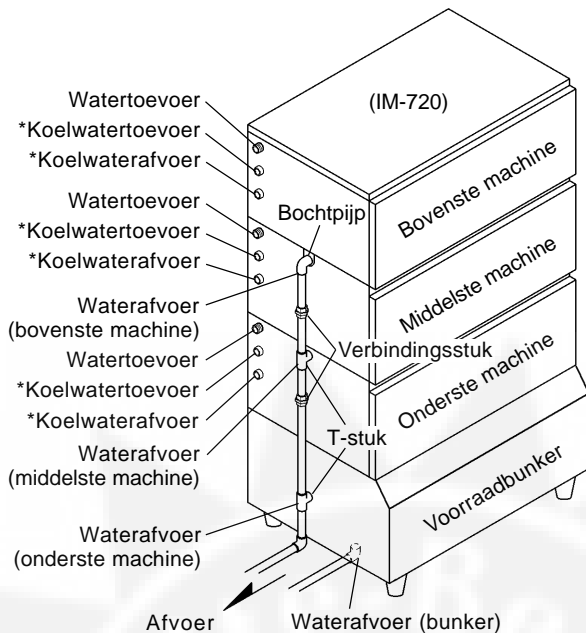


Fig. 11

\* Alleen watergekoelde modellen



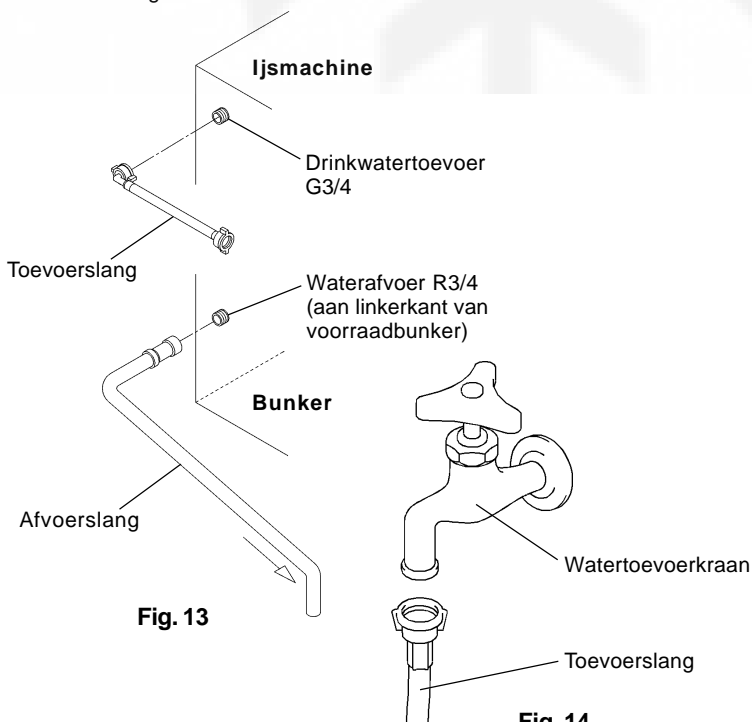
\* Alleen watergekoelde modellen

**Fig. 12**

### [Luchtgekoelde model]

- 1) Bevestig het gebogen uiteinde van de witte buigzame toevoerbuis (accessoire) aan de G3/4 aansluiting op de linkerzijde van de ijsmachine zoals aangegeven. Zorg er daarbij voor dat de rubber afdichtingsring goed is aangebracht. Draai voldoende aan met de hand voor een lekvrije aansluiting. (Fig. 13.)
- 2) Bevestig het andere uiteinde van de toevoerslang aan de watertoevoer (fig. 14) en let op of de afdichtingsring goed is aangebracht voordat u die volgens bovenstaande instructies met de hand aandraait. Houd als voorzorgsmaatregel een afsluiter binnen handbereik.
- 3) Draai de grijze buigzame afvoerslang (accessoire) op de R3/4 aansluiting op de linkerkant van de voorraadbunker zoals aangegeven, en zorg ervoor dat de rubber afdichtingsring goed is aangebracht voor een lekvrije aansluiting. De slang kan zondig op lengte worden gesneden voor een passende aansluiting op de hoofdafvoer.

N.B.: Verbindingspasta's moeten goedgekeurd zijn en geschikt voor gebruik met drinkwater.



**Fig. 13**

**Fig. 14**

### [Watergekoeld model]

\* Hoshizaki raadt aan om de watergekoelde condenser aan te sluiten op een hercirculerend koelsysteem met gesloten circuit, met een toren, waterkoeler of een gelijksoortige installatie (zie fig. 15 en 16). Watersuppletie moet via een kogelklep-/mengvat plaatsvinden.

\* Als er een watergekoelde condensor op een leidingwatervoeding (drinkbaar) wordt aangesloten zal dit geen invloed hebben op de prestaties van de machine. Hoogstwaarschijnlijk veroorzaakt dit veel gebruik/verspilling van een waardevolle bron en het wordt daarom afgeraden.

\* De diensten van een bevoegde of geregistreerde loodgieter moeten worden gebruikt voor een correcte installatie.

\* De aansluitingen moeten in overeenstemming zijn met de van toepassing zijnde nationale of regionale voorschriften.

### [a] Standaard aansluitingen volgens WRC-voorschriften in G.B. (fig. 15 en 16)

\* Bij het kiezen van een koeltoren moet u de volgende piekwaarden van de warmtestroming in de condensor raadplegen:

Model IM-240DW/XW: 5235 kcal/u

\* Buizen tussen de koeltoren en de ijsblokjesmachine moeten minstens 20mm in doorsnee zijn om het drukverlies te verminderen, ondanks dat de ijsblokjesmachineaansluitingen 13mm in doorsnee zijn.

\* Drukverlies in het watercircuit in de installatie zal 5 tot 6 meter zijn als het koelwater met 4 tot 5 l/min stroomt.

\* Kies een circulatiepomp waarbij u de bovenstaande warmtestromingswaarden moet raadplegen.

\* Gebruik geen cascadepomp omdat de waterregelaar de stroming zal variëren en hem zal stoppen tijdens de ontthooicyclus.

\* De zeef moet regelmatig worden gereinigd.

### [Aansluitingen ijsblokjesmachine]

1) Bevestig het gebogen uiteinde van de witte buigzame toevoerslang (accessoire) aan de G3/4 aansluiting op de achterkant van de ijsblokjesmachine, zoals aangegeven. Let er daarbij op dat de rubber afdichtingsring goed is aangebracht. Draai handvast aan voor een lekvrije aansluiting.

2) Bevestig het andere uiteinde van de toevoerslang aan de watertoevoer kraan (fig. 14). Let er daarbij op dat de afdichtingsring goed is aangebracht voordat u hem handvast aandraait, zoals hierboven.

N.B.: Als er filtering of zuivering wordt toegepast, moet u ervoor zorgen dat het ijsmachinedeelte alleen is aangesloten op de toevoer van gezuiverd water, niet de condensor.

3) Bevestig de grijze buigzame afvoerslang (accessoire) aan de R3/4 aansluiting op de achterkant van de ijsblokjesmachine zoals aangegeven (fig. 15), waarbij u controleert of de rubber afdichtingsring is aangebracht voordat u de aansluiting handvast aandraait. Deze buis kan zondig op lengte worden gesneden voor een correcte aansluiting op de hoofdafvoer.

4) Draai de 1/2-3/4-nippels (accessoire) met behulp van een geschikte sleutel of schroef sleutel in de Rc1/2-aansluitingen op de achterkant van de ijsblokjesmachine, zoals aangegeven. PTFE-tape en/of een geschikte afdichtingspasta moet worden gebruikt voor een lekvrije aansluiting.

N.B.: Aansluitingspasta's moeten goedgekeurd zijn en geschikt voor drinkwater.

5) Sluit het condensorkoelcircuit aan op de vrije uiteinden van 1/2-3/4-nippels zoals aangegeven (fig. 15) met behulp van een onbuigzame pijp.

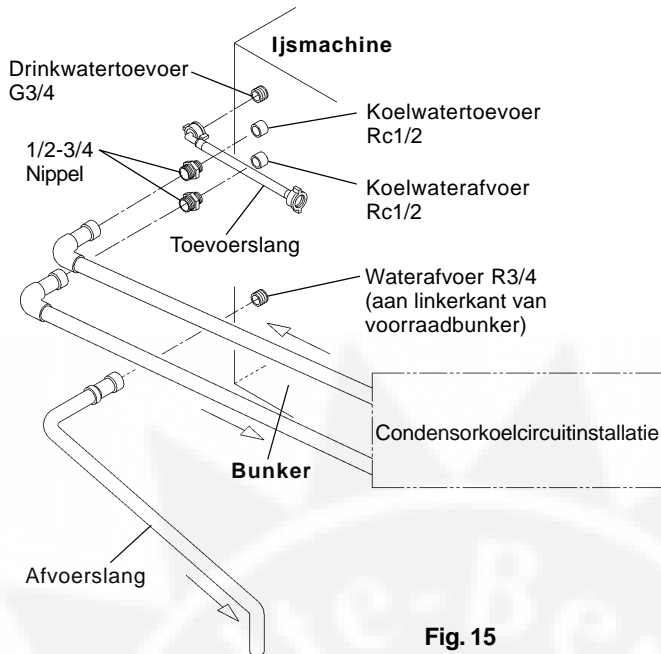


Fig. 15

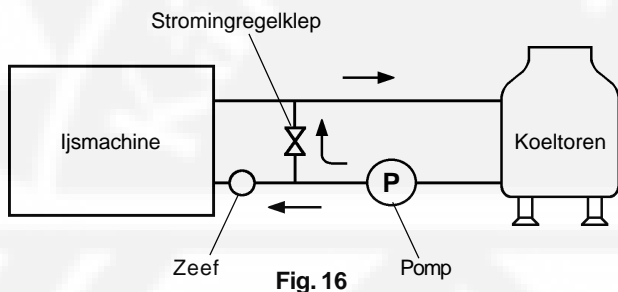


Fig. 16

[b] Aansluitingen volgens de voorschriften, andere dan de WRC-voorschriften, door accessoirebuizen te gebruiken (fig. 17)

- 1) Volg instructie 1) tot en met 4) in [a] hierboven.
- 2) Voor condensoraansluitingen moet u accessoirebuizen gebruiken en dezelfde aansluitingen maken als 1) tot en met 3) in [a] boven, op het vrije uiteinde van 1/2-3/4-nippels, zoals aangegeven (fig. 17).

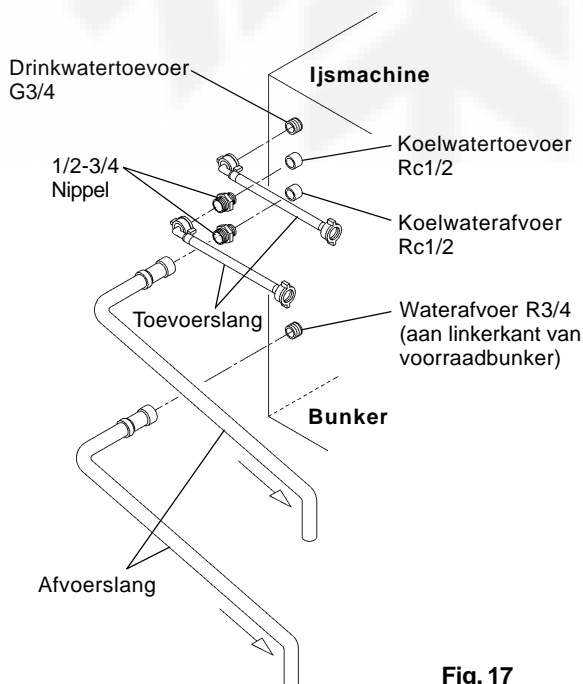


Fig. 17

## 7. STARTPROCEDURE

- 1) Sluit de voeding af.
- 2) Open de watertoevoer.
- 3) Sluit de voeding aan en zet de machine aan.
- 4) Het volgende moet in deze volgorde gebeuren:
  - a) De compressor start (heetgasklep open).
  - b) Waterbak opent volledig.
  - c) Waterklep opent.
  - d) Waterbak begint te sluiten (heetgasklep gesloten)
  - e) Waterbak volledig gesloten - pompmotor start.
  - f) Waterklep sluit.

### BELANGRIJK

1. Controleer de staat en kwaliteit van het geproduceerde ijs.
2. Gebruik geen ijs dat in de proefdraai is geproduceerd. Het kan verontreinigd zijn met ongewenste stoffen die zich in het watercircuit bevonden. Gooi het weg, of spoel het door de afvoer.

## 8. LAATSTE CONTROLES

- 1) Is de installatie lekvrij?
- 2) Is de ijsmachine trillingsvrij?
- 3) Zijn de panelen aangebracht en zitten ze vast?
- 4) Heeft de gebruiker instructies gehad over correct machinegebruik en is de instructiehandleiding overhandigd?

## IMPORTANTE

1. Para llevar a cabo una instalación segura y correcta del producto, lea este libro cuidadosamente de antemano y siga las instrucciones contenidas en él.
2. Al finalizar la instalación, ponga en marcha el dispensador de hielo para comprobar irregularidades y facilite instrucciones al usuario sobre la forma de uso y mantenimiento del dispensador de acuerdo con el manual de instrucciones.
3. Este libro debe entregarse al usuario después de la instalación y el usuario debe guardarlo con el manual de instrucciones para las consultas posteriores que puedan ser necesarias.

## ADVERTENCIA

Sólo deberá realizar la instalación el personal capacitado, de conformidad con las normativas en vigor, y siguiendo las instrucciones del fabricante.

## 1. DESEMBALADO

### ADVERTENCIA

Mantener a los niños alejados de los componentes de embalaje (bolsas de plástico y poliestireno estirado) ya que pueden ser posibles fuentes de peligro.

### PRECAUCION

Retirar el cartón de embalaje, cinta(s) y empaquetado, si los materiales de embalaje se dejan dentro del dispensador, no funcionará correctamente.

Rejilla, filtro de aire  
(modelo refrigerado con aire)

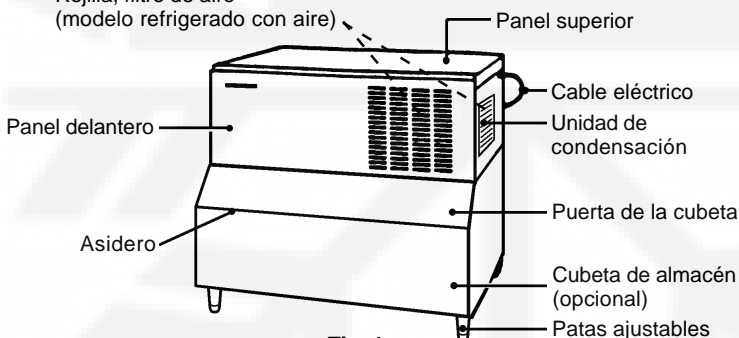


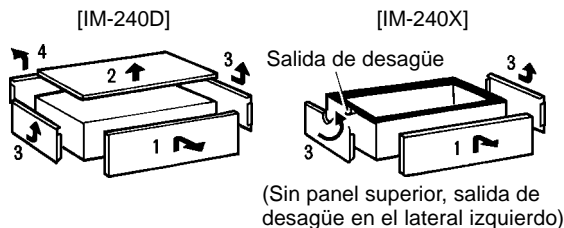
Fig. 1

Nota: Este tipo de productor de hielo requiere una cubeta de almacén.

Hoshizaki recomienda las siguientes:

- P-200SD ----- IM-240D
- F650-44 ----- IM-240D/IM-480D
- F950-48 ----- IM-480D/IM-720D
- F1025-52 ----- IM-480D/IM-720D

- 1) Tras retirar el embalaje, asegúrese de que el dispensador de hielo se encuentra en buenas condiciones. En caso de duda, no utilice el equipo y acuda al personal profesional cualificado. Consultar las indicaciones de desembalaje e instalación en la hoja de instrucciones que acompaña a la cubeta de almacén.
- 2) Retirar los paneles del productor de hielo para acceder al kit de accesorios y hacer más fácil la instalación.



(Sin panel superior, salida de desagüe en el lateral izquierdo)

- a) Panel delantero: Retirar el/los tornillo(s). Levantarlo y tirar hacia arriba.
- b) Panel superior: Retirar el/los tornillo(s). Levantarlo.
- c) Panel lateral: Retirar el/los tornillo(s). Deslizarlo un poco hacia delante y levantarlo.
- d) Panel trasero: no es necesario retirarlo.

Fig. 2

- 3) Retirar el paquete de accesorios, y revisar el contenido:

a) Juego de Instalación (modelos refrigerados con aire)	
Tubería de Entrada	1
Tubería de Salida	1
Juego de Instalación (modelos refrigerados con agua)	
Inlet Hose	2
Outlet Hose	2
Boquilla de 1/2-3/4	2
b) Depurador (excepto IM-240X)	1
c) Descargador de hielo (sólo IM-240X)	1
d) Collar de tubería de desagüe (sólo IM-240X)	1
e) Guarnición estanca (sólo IM-240X)	1

- 4) Retirar la cinta de embalaje que sujeta el interruptor de control de la cubeta.
- 5) Retirar la lámina de plástico protectora. Si el productor es expuesto al sol o al calor, retirar la lámina después de que el productor se haya enfriado.

## 2. SITUACION

### IMPORTANTE

1. Este dispensador de hielo no está concebido para usar en el exterior. La temperatura ambiente normal de operación deberá estar entre 1°C y 40°C. La temperatura normal del agua de operación deberá estar entre 5°C y 35°C. La operación del dispensador de hielo, durante periodos largos, fuera de estas temperaturas normales podrá afectar a la capacidad de producción.
2. El dispensador de hielo no se deberá instalar cerca de hornos, parrillas ni otro equipo que produzca fuerte calor.
3. El lugar de instalación debe ser firme y nivelada para el equipo.
4. Se deberán dejar 15cmts. de espacio en la parte superior para una buena circulación del aire y facilidad de mantenimiento y/o servicio en caso necesario. Dejar una distancia de 30 cm en el lateral derecho sólo en el modelo refrigerado con aire.
5. Este aparato no es aconsejable para su instalación en una zona donde se pueda usar un chorro de agua y donde no pueda gotear.
6. No colocar nada sobre el productor de hielo ni enfrente de la rejilla.
7. El productor no funcionará a temperaturas por debajo de congelación. Para evitar que se dañe la conducción de la acometida de agua, drenar el productor cuando la temperatura del aire sea inferior a cero grados.

## 3. INSTALACION

\* La instalación incorrecta puede lesionar a otras personas, animales o cosas, de lo que el fabricante no se puede hacer responsable.

- 1) Colocar la cubeta de almacén sobre su parte trasera con cuidado para no dañarla. Introducir las cuatro patas ajustables (accesorios de la cubeta) en los agujeros que hay al efecto en la parte inferior de la cubeta. Véase la fig. 3.
- 2) Colocar la cubeta de almacén en el lugar permanente previamente seleccionado y nivelarla de izquierda a derecha y de delante a atrás. Véase la Fig. 4.

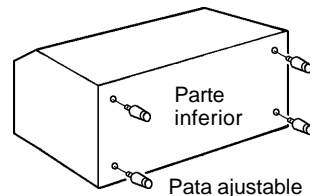


Fig. 3

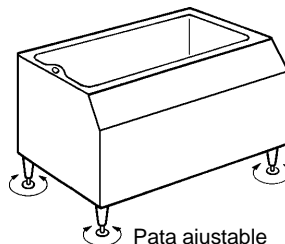


Fig. 4

- 3) Retirar los paneles del productor. No es necesario retirar el panel trasero. Véase "1 DESEMBALADO".
- 4) Retirar la cinta de embalaje que sujeta la bandeja de desagüe.
- 5) Colocar el productor de hielo sobre la cubeta de almacén. Se tendrá cuidado de no dañar el bastidor del productor ni el interruptor de control de la cubeta. Véase la Fig. 5

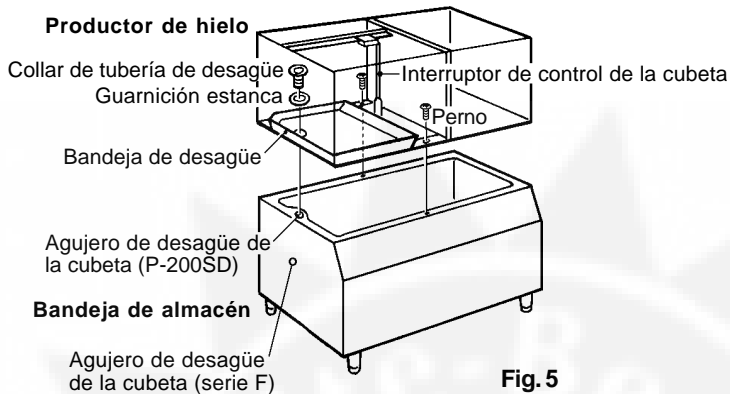


Fig. 5

- 6) Asegurar el productor de hielo con los dos pernos suministrados. Véase la fig. 5.
- 7) Alinear el agujero de desagüe de la cubeta de almacén y el de la bandeja de desagüe. Introducir la guarnición estanca (accesorio de la cubeta) y apretar el collar de la tubería de desagüe (accesorio de la cubeta). Véase la fig. 5.

Nota: Con las cubetas de la serie F, se suministra un kit de extensión del tubo de desagüe que se instala en la bandeja de desagüe del productor de hielo y sale por el agujero previamente perforado del lateral de la cubeta.

- 8) Colocar en su sitio los paneles del productor de hielo.

#### 4. APILAR PRODUCTORES DE HIELO

##### ADVERTENCIA

Comprobar que se dispone de los modelos de productores de hielo adecuados. Cuando se quiera apilar dos productores se necesitará uno de tipo D y otro de tipo X. Si se pretende apilar tres productores se requerirá uno de tipo D y dos de tipo X. El de tipo D está diseñado para ser la unidad superior y los de tipo X para que sean las unidades inferior o intermedia. Ambos tipos poseen un interruptor de control de cubeta diferente. Cuando estén apilados utilice sólo el interruptor del productor tipo X o inferior. Deberá retirarse el interruptor de los productores intermedio o superior. La conexión del control de la cubeta desde la unidad inferior (o intermedia) a la superior requerirá cables de conexión adicionales suministrados con el productor tipo X. Una mala o nula conexión podría dañar gravemente las unidades y provocar una avería.

- 1) Preparar y colocar la cubeta de almacén según se ha detallado en los apartados 1) y 2) de la sección 3 "INSTALACIÓN".
- 2) Retirar los paneles del productor. No es necesario retirar el panel trasero. Véase "1. DESEMBALADO".
- 3) Mover con cuidado el productor de hielo para no dañar el bastidor.
- 4) Retirar la cinta de embalaje que sujeta la bandeja de desagüe.
- 5) Instalar la unidad inferior (tipo X) sobre la parte superior de la cubeta de almacén. Véase la fig. 6.
- 6) Sujetar la unidad inferior con los dos pernos y las dos arandelas suministradas. Véase la fig. 6.

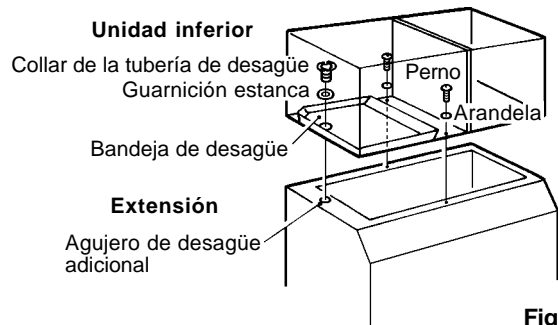


Fig. 6

- 7) Retirar la cinta de embalaje que sujeta el interruptor de control de la cubeta sobre la bandeja de desagüe. Instalar el interruptor de control en el bastidor situado en la parte inferior izquierda de la unidad de condensación y asegurarlo con los dos tornillos y las dos arandelas suministradas. Véase la fig. 7.

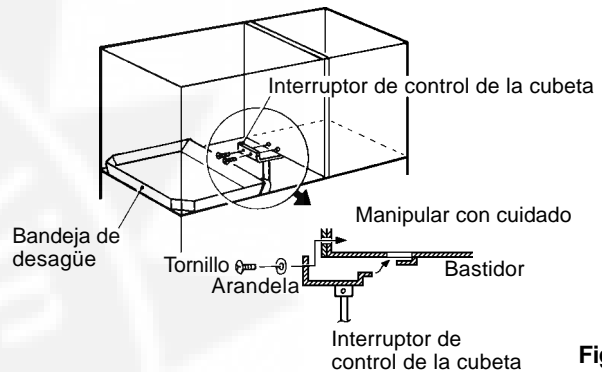
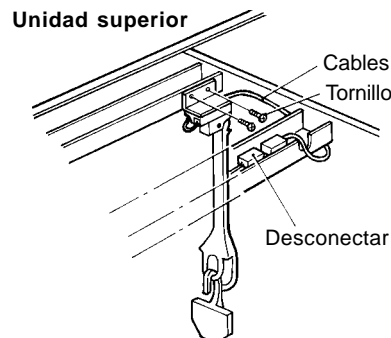


Fig. 7

- 8) [P-200SD] Alinear el agujero de desagüe y el agujero de la bandeja de desagüe. Introducir la guarnición estanca accesorio de la cubeta) y ajustar firmemente el collar de la tubería de desagüe (accesorio de la cubeta) con un par recomendado de 39,2 Nm. Véase la fig. 6.

- 9) [Serie F] Localizar el kit de extensión del tubo de desagüe. Retirar la tuerca de bloqueo de la sección roscada y empujar el tubo roscado a través del orificio que hay en el lateral de la cubeta. Alinear la bandeja de desagüe e introducir el collar de la tubería de desagüe y la guarnición estanca dentro del extremo libre del kit del tubo, seguidamente apretar el conjunto. Asegurar el kit del tubo volviendo a colocar la tuerca de bloqueo y apretarlo todo en el exterior de la cubeta.

- 10) Antes de apilar las unidades, retirar la lámina de plástico transparente del conducto de cables de la unidad superior o intermedia. Desconectar los cables del interruptor de control de la cubeta (con un enchufe de tres vías). Retirar los tornillos y el interruptor de control de la cubeta. Cuando se apilen dos o tres productores, este interruptor no será necesario. Guardarlo después de retirarlo. Véase fig. 8.



Retirar el interruptor de control de la cubeta

Fig. 8

- 11) Colocar la unidad superior o intermedia sobre la unidad inferior. Véase la Fig. 9.

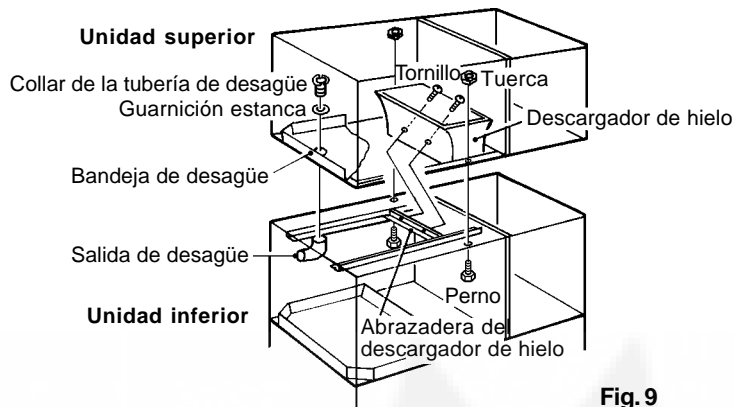


Fig. 9

- 12) Asegurar las dos unidades con los dos tornillos y las dos tuercas suministradas. Véase la Fig. 9.
- 13) Alinear el agujero de drenaje de la unidad inferior y el de la bandeja de desagüe de la unidad superior. Introducir la guarnición estanca (accesorio de la unidad inferior) y apretar el collar de la tubería de desagüe (accesorio de la unidad inferior). Véase la fig. 9.
- 14) Colocar el descargador de hielo (accesorio de la unidad inferior) y asegurarlo a la abrazadera con dos tornillos.
- 15) Conectar los cables (con enchufe de tres vías) que se encuentran en el conducto de cables de la unidad inferior al receptáculo de la unidad superior o intermedia (desconectado en el paso 10 anterior). Asegurar los cables con la mordaza de plástico suministrada. Colocar la cubierta de plástico en su sitio. Véase la fig. 10.
- 16) Volver a colocar en su sitio los paneles del productor.

Nota: Si se apilan tres productores, deben repetirse las instrucciones de los apartados 10) al 16) para la unidad superior. Recuerden que sólo se necesita UN control de cubeta, independientemente de la configuración. Los cables de extensión del control de la cubeta tienen ya enchufe y se encontrar dentro de conducto para cables del productor de hielo tipo X.

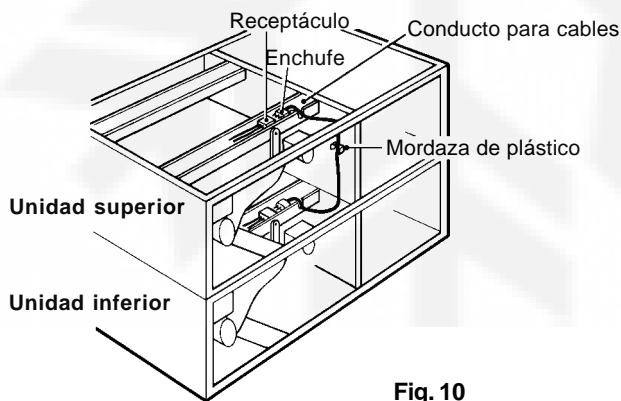


Fig. 10

5. CONEXION ELECTRICA

ADVERTENCIA

ESTE APARATO SE DEBE CONECTAR A TIERRA

Este dispensador de hielo necesita una conexión a tierra que cumpla con las normativas del código de electricidad nacional y local. Para evitar la posible descarga eléctrica severa a personas, o gran daño al equipo, instalar un cable a tierra adecuado en el dispensador de hielo. Retirar el enchufe de la corriente antes de realizar cualquier mantenimiento, reparación o limpieza.

- \* Este dispensador de hielo debe disponer de una toma independiente de energía eléctrica o una caja individual de contacto de 220-240 V. Vea la placa de características.
- \* Cuando se apilen varios productores de hielo, cada uno deberá tener un receptáculo propio y todos deben estar conectados en paralelo al mismo suministro o circuito unifásico con ampacidad suficiente.

Además, y para evitar molestas desconexiones, no deberán emplearse disyuntores de circuito individuales para cada máquina.

- \* El fusible de la caja principal de control tiene una potencia de 5 A y sólo podrá ser cambiado por un electricista cualificado.
- \* Normalmente se recurre al permiso eléctrico y servicios de un electricista autorizado.
- \* Si se necesitara acoplar o sustituir un cable de potencia o un enchufe, la reparación debe efectuarla un ingeniero cualificado del servicio técnico.
- \* Los cables en el cordón de corriente son de color conforme al siguiente código.

Verde y Amarillo = Tierra  
Azul = Neutro  
Marrón = Corriente

Debido a que los colores del cable en el cordón de corriente de este aparato puede que no correspondan con las marcas de colores que identifican las bornas en su enchufe, proceda como sigue:

El cable de color Verde y Amarillo se debe conectar a la borna en el enchufe marcado con la letra E o con el símbolo  $\perp$  o de color verde o verde y amarillo. El cable de color azul se deberá conectar a la borna marcada con la letra N o de color negro. El cable de color marrón se debe conectar a la borna marcada con la letra L o de color rojo.

- \* En caso de que las salidas del enchufe en el punto de instalación no sean adecuadas para el enchufe suministrado con el aparato, se deberá quitar el enchufe (cortar si está moldeado en el enchufe) e instalar uno correcto.

Si se ha cortado el enchufe no rebobinable del cordón de corriente, se deberá tirar. No se debe tratar de usar. Si se introduce este enchufe en otro punto presenta un serio riesgo de descarga eléctrica.

6. SUMINISTRO DE AGUA Y CONEXIONES DE DESAGÜE

- \* Sólo se deberá usar agua potable en este dispensador de hielo.
- \* La presión de acometida de agua deberá ser de un mínimo de 0,5 bares y un máximo de 8 bares. Si la presión supera los 8 bares, se deberá usar una válvula de reducción de presión. **NO** se debe reducir la presión del grifo de acometida.
- \* En algunas zonas pueden ser necesarios un permiso de fontanería y los servicios de un fontanero capacitado.
- \* En los modelos refrigerados con agua podría ser necesario instalar un dispositivo para evitar la contracorriente en el circuito de agua de refrigeración.
- \* El agua deberá desaguar en un desagüe abierto.
- \* La cubeta de almacén tiene dos salidas de desagüe. La superior/ exterior es para recoger líquido procedente del productor y la inferior/ interior es para la cubeta. Los dos conductos de desagüe deben estar separados para evitar la contracorriente dentro de la cubeta de almacén.

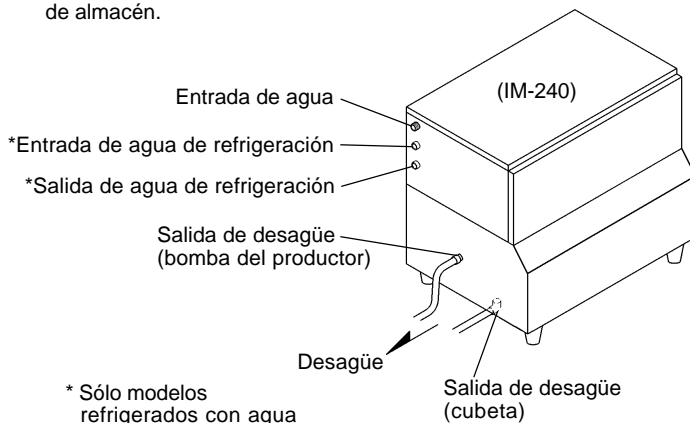
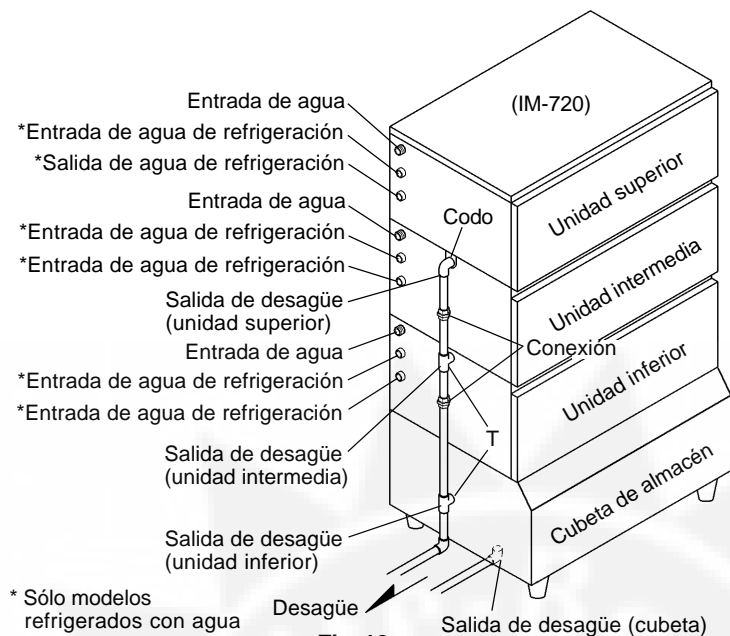


Fig. 11

- \* Sólo modelos refrigerados con agua



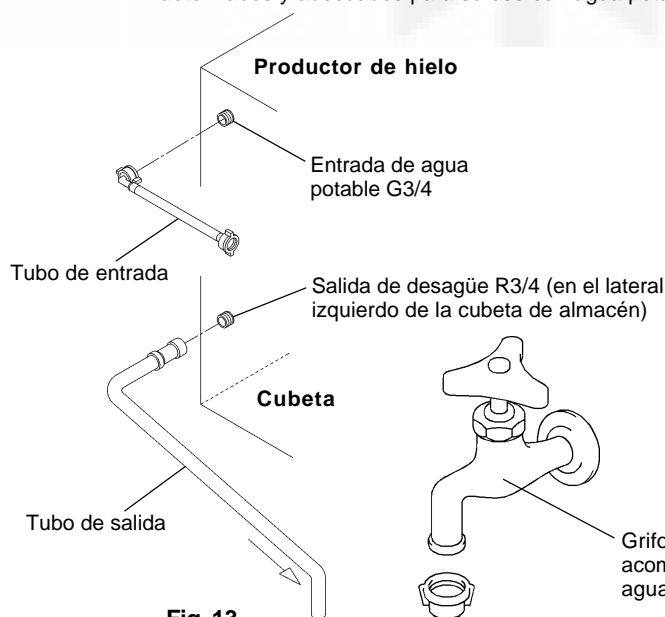
**Fig. 12**

\* El modelo refrigerado con agua podría requerir la instalación de un dispositivo para evitar el contraflujo en el circuito de agua de refrigeración.

### [Modelo refrigerado con aire]

- 1) Instalar un extremo en codo de tubería de entrada flexible blanca (accesorio) en el accesorio G3/4 de la parte trasera del productor de hielo, como se indica en la fig. 13, y asegurarse de que la arandela de junta de goma esté correctamente colocada. Apretar con la mano lo suficiente para para obtener una unión estanca.
- 2) Instalar el otro extremo de la tubería de entrada en el grifo de agua (fig. 14) y asegurarse de que la arandela esté correctamente colocada antes de apretar la unión con la mano como se ha indicado en el punto anterior. Se recomienda tener cerca una válvula de cierre como medida de precaución.
- 3) Apretar con la mano la tubería de salida flexible gris (accesorio) en el accesorio R3/4 de la parte trasera del productor, como se indica en la fig. 23, y asegurarse de que la arandela de goma esté correctamente colocada para obtener una unión estanca. Podrá cortarse la tubería según sea necesario para adecuarla a la posición del desagüe principal.

Nota: Los compuestos de unión que se utilicen deberán ser autorizados y adecuados para su uso con agua potable.



**Fig. 13**

**Fig. 14**

### [Modelo refrigerado con agua]

\* Hoshizaki recomienda conectar el condensador refrigerado con agua a un sistema de refrigeración de tipo recirculación de circuito cerrado que utilice una torre, un enfriador de agua o un dispositivo similar (véanse las figs. 15 y 16). La producción de agua debería tener lugar mediante una disposición de tipo válvula de bola/depósito de rotura.

\* Aunque la conexión de un condensador refrigerado con agua a una acometida de agua (potable) no afectará el funcionamiento de la máquina, seguramente provocará un alto consumo y un desperdicio de un recurso muy valioso, por consiguiente no se recomienda.

\* Consultar a un fontanero autorizado la mejor instalación posible.

\* Las conexiones deberán realizarse adecuadamente de acuerdo con la normativa local o nacional en vigor.

### [a] Conexiones estándar de acuerdo con la normativa WRC del Reino Unido (figs. 15 y 16)

\* Cuando se seleccione una torre de refrigeración, deberán consultarse los siguientes valores pico de flujo de calor en el condensador:

Modelo IM-240DW/XW: 5235 W

\* Pese a que los accesorios del productor tienen un diámetro de 13 mm, las tuberías entre la torre de refrigeración y el productor deberían tener un diámetro mínimo de 20 mm para reducir la pérdida de presión.

\* La pérdida de presión en el circuito de agua dentro de la unidad será de 5 a 6 m cuando el agua de refrigeración fluya a un régimen de 4 a 5 l/min.

\* Seleccionar una bomba de circulación habiendo consultado antes los valores de flujo de calor indicados anteriormente.

\* No utilizar una bomba de cascada ya que de lo contrario el regulador de agua variará el flujo y lo detendrá durante el ciclo de descongelación.

\* Limpiar el depurador periódicamente.

### [Conexiones del productor de hielo]

1) Instalar el extremo en codo de la tubería flexible blanca (accesorio) en accesorio G3/4 de la parte trasera del productor de hielo como se indica, y comprobar que la arandela de junta de goma esté correctamente colocada. Apretar con la mano lo suficiente para conseguir una unión estanca.

2) Instalar el otro extremo de la tubería de entrada al grifo de agua (fig. 14) y comprobar que la arandela esté correctamente colocada antes de apretar la unión con la mano como se ha indicado en el punto anterior.

Nota: Si se pone en práctica un tratamiento o filtrado, asegúrense de que sólo la sección del productor de hielo toma agua tratada, no el condensador.

3) Instalar el tubo flexible de salida gris (accesorio) en el accesorio R3/4 del lateral izquierdo de la cubeta de almacén según se indica (fig. 15). Comprobar el ajuste de la arandela de goma antes de apretar la unión con la mano. Cortar este tubo a la longitud necesaria para adecuar la posición del desagüe principal.

4) Con una llave inglesa o de tuerca adecuada, apretar las boquillas 1/2-3/4 (accesorio) en los accesorios Rc1/2 en la parte trasera del productor de hielo como se indica. Se deberá usar cinta P.T.F.E., un compuesto sellador adecuado, o ambas cosas, para obtener una unión estanca.

Nota: Sólo se utilizarán compuestos para uniones autorizados y adecuados para su uso con agua potable.

5) Conectar el circuito de refrigeración del condensador a los extremos libres de las boquillas 1/2-3/4 como se indica (fig. 15), utilizando para ello una tubería de tipo rígido adecuada.

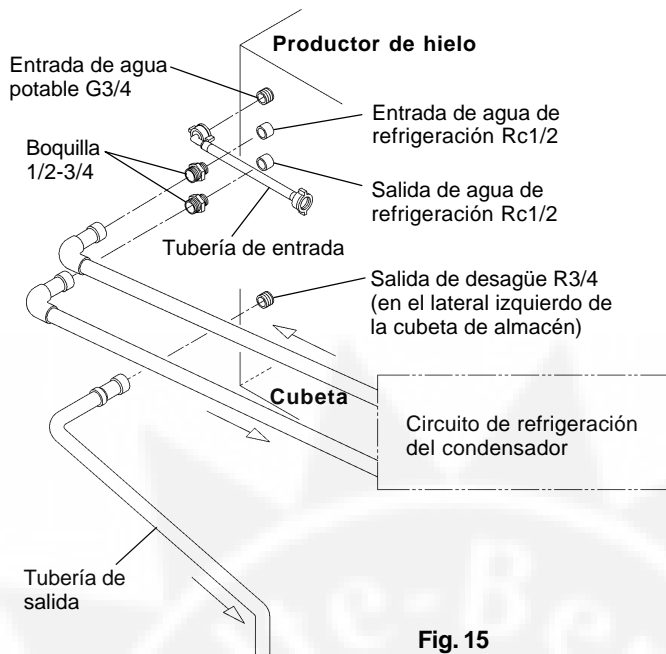


Fig. 15

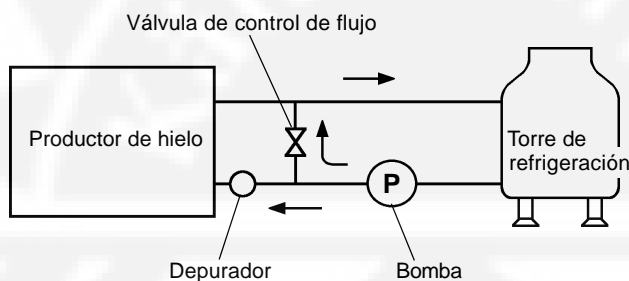


Fig. 16

**[b] Conexiones con tuberías accesorias, según normativas distintas a la WRC (fig. 17)**

- 1) Seguir las instrucciones indicadas en los apartados del 1 al 4 anteriores.
- 2) Para las conexiones del condensador deben utilizarse las tuberías accesorias suministradas y realizarse las conexiones indicadas en los apartados 1) a 3) de la sección [a] anterior a los extremos libres de las boquillas 1/2-3/4 (fig. 17).

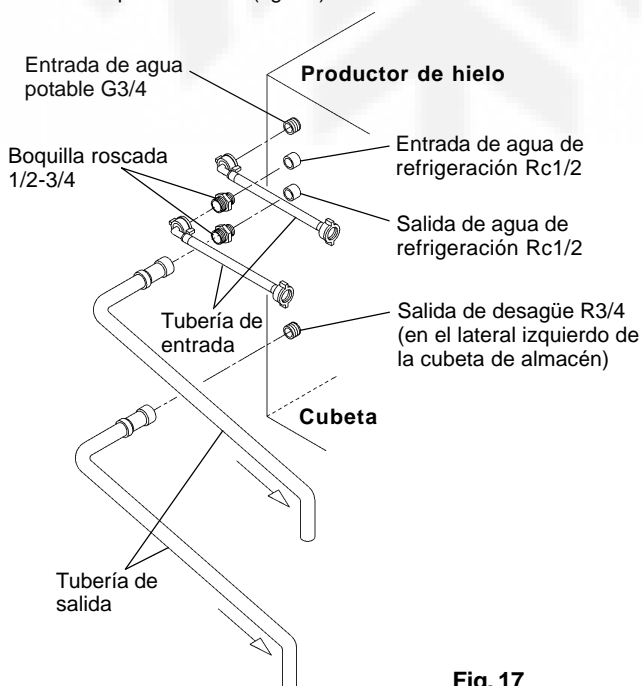


Fig. 17

**7. PROCEDIMIENTO PARA LA PUESTA EN MARCHA**

- 1) Desconectar el suministro eléctrico.
- 2) Abrir el grifo de agua.
- 3) Conectar el suministro eléctrico y energizar.
- 4) Los siguientes pasos deberán ocurrir en secuencia:
  - a) El compresor arrancará (válvula de gas caliente abierta).
  - b) La depósito de agua se abrirá completamente.
  - c) El solenoide de agua se abrirá.
  - d) El depósito de agua comenzará a cerrarse (válvula de gas caliente cerrada).
  - e) El depósito de agua se cerrará completamente y el motor de la bomba comenzará a funcionar.
  - f) El solenoide de agua se cerrará.

**IMPORTANTE**

1. Comprobar las condiciones y la calidad de la producción de hielo.
2. No utilizar el hielo producido en la prueba de funcionamiento. Podría estar contaminado con materia extraña del circuito de agua. Descartarlo o vaciarlo por el desagüe.

**8. ÚLTIMAS COMPROBACIONES**

- 1) ¿Tiene fugas la instalación?
- 2) ¿Vibra el productor de hielo?
- 3) ¿Están todos los paneles fijados y asegurados?
- 4) ¿Ha recibido el usuario instrucciones sobre el correcto manejo de la máquina y se le ha dado el manual de instrucciones?

## IMPORTANTE

1. Per un'installazione sicura e affidabile del prodotto, leggere prima attentamente questo opuscolo e seguire le istruzioni in esso contenute.
2. Una volta completata l'installazione, avviare la macchina per controllare che non presenti anomalie e istruire l'utente sull'uso e la manutenzione della macchina secondo quanto previsto dal manuale di istruzione.
3. Ad installazione avvenuta, consegnare questo opuscolo all'utente che dovrà conservarlo unitamente al manuale di istruzione per eventuali riferimenti futuri.

## AVVERTENZA

**L'installazione deve essere eseguita da personale qualificato**, in ottemperanza alle norme vigenti e secondo le indicazioni del fabbricante.

## 1. DISIMBALLAGGIO

### AVVERTENZA

Tenere i bambini lontano dai componenti dell'imballo (sacchetti di plastica e polistirolo espanso) poiché costituiscono potenziali fonti di pericolo.

### ATTENZIONE

Rimuovere il cartone di imballaggio, il nastro adesivo e l'involucro. Il distributore non può funzionare se al suo interno sono presenti residui del materiale di imballaggio.

Griglia di ventilazione, filtro dell'aria (modelli con raffreddamento ad aria)

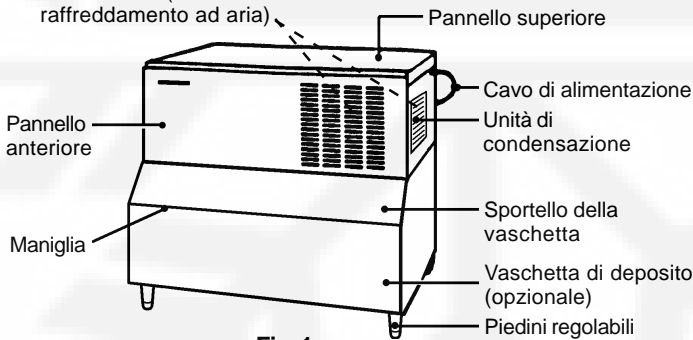


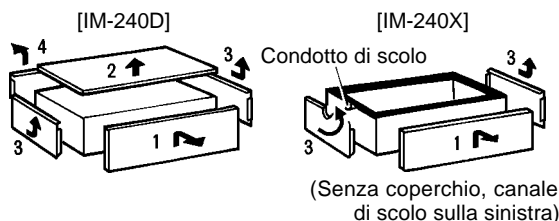
Fig. 1

Nota: Questa è una macchina per la produzione di ghiaccio che richiede una vaschetta di deposito. La Hoshizaki raccomanda di utilizzare uno dei modelli seguenti:

P-200SD ----- IM-240D  
 F650-44 ----- IM-240D/IM-480D  
 F950-48 ----- IM-480D/IM-720D  
 F1025-52 ----- IM-480D/IM-720D

1) Tras retirar el embalaje, asegúrese de que el dispensador de hielo se encuentra en buenas condiciones. En caso de duda, no utilice el equipo y acuda al personal profesional cualificado. Consultare il manuale di istruzioni allegato alla vaschetta di deposito per indicazioni sul disimballaggio e l'installazione.

2) Togliere i pannelli del distributore per accedere agli accessori e facilitarne l'installazione



- a) Pannello anteriore: rimuovere le viti; sollevare e tirare verso di sé.
- b) Coperchio: rimuovere le viti; sollevare.
- c) Pannello laterale: rimuovere le viti; far scorrere leggermente in avanti e sollevare.
- d) Pannello posteriore: non è necessario rimuoverlo.

Fig. 2

3) Rimuovere l'imballaggio degli accessori, e controllarne il contenuto:

a) Kit d'installazione (modelli con raffreddamento ad aria)	
Tubo di alimentazione	1
Tubo di deflusso	1
Kit d'installazione (modelli con raffreddamento ad acqua)	
Tubo di alimentazione	2
Tubo di deflusso	2
Rubinetto di regolazione 1/2-3/4	2
b) Paletta (eccetto IM-240X)	1
c) Scivolo ghiaccio (solo IM-240X)	1
d) Colletto del condotto di scolo (solo IM-240X)	1
e) Guarnitura (solo IM-240X)	1

4) Togliere il nastro da imballaggio sull'interruttore di comando della vaschetta.

5) Togliere la pellicola protettiva dalla superficie esterna. Se il distributore è esposto al sole o al calore, rimuovere la pellicola dopo averlo fatto raffreddare.

## 2. UBICAZIONE

### IMPORTANTE

1. Questo distributore non è stato progettato per l'uso all'aperto. La temperatura dell'ambiente di esercizio dovrebbe mantenersi tra i 1°C e i 40°C, e quella dell'acqua tra i 5°C e i 35°C. Impiegare per lungo tempo il distributore a temperature diverse da quelle indicate potrebbe danneggiarne seriamente la capacità produttiva.
2. Il distributore non dovrebbe essere collocato in prossimità di forni, grill o altre fonti di calore.
3. L'ubicazione dovrebbe garantire un appoggio stabile e orizzontale per l'apparecchio.
4. Lasciare uno spazio di 15 cm al di sopra del distributore per favorire il passaggio dell'aria ed eventuali interventi di manutenzione. Solo modelli raffreddati ad aria; lasciare uno spazio di 30 cm sul lato destro.
5. Questo distributore non è indicato per l'installazione in aree in cui sia previsto l'uso di idrogetti e dove non sia consentito il gocciolamento.
6. Non collocare alcun oggetto sulla sommità del distributore o davanti alla griglia di ventilazione.
7. Questo distributore non può funzionare a temperature inferiori allo zero. Per evitare danni al circuito di alimentazione, far scolare il distributore non appena la temperatura dell'aria scende al di sotto dello zero.

## 3. INSTALLAZIONE

\* Un'impropria installazione può causare danni a persone, animali o cose, verso cui il fabbricante non può ritenersi responsabile.

1) Appoggiare delicatamente la vaschetta di deposito sul lato posteriore in modo da evitare danni. Avvitare saldamente i quattro piedini regolabili (accessori) nei quattro fori apposti sul fondo della vaschetta. V. Fig. 3.

2) Collocare permanentemente la vaschetta di deposito nella posizione prescelta e livellarla agendo sui quattro piedini regolabili. V. Fig. 4.

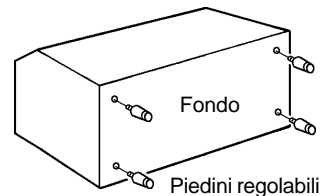


Fig. 3

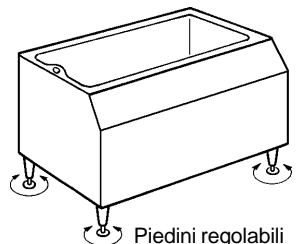


Fig. 4

- 3) Togliere i pannelli dal distributore. Non è necessario rimuovere il pannello posteriore per procedere all'installazione. V. Fig. "1 DISIMBALLAGGIO".
- 4) Rimuovere il nastro da imballaggio sulla vaschetta di scolo.
- 5) Collocare il distributore sulla parte superiore della vaschetta di deposito facendo attenzione a non danneggiare il telaio del distributore e l'interruttore di comando della vaschetta. V. Fig. 5.

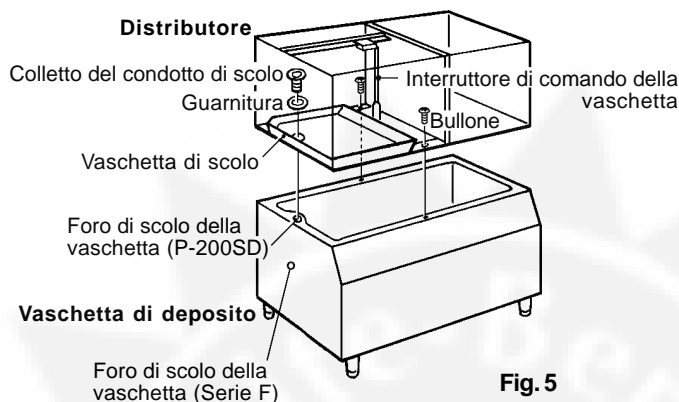


Fig. 5

- 6) Fissare il distributore con i due bulloni in dotazione. V. Fig. 5.
  - 7) Allineare il foro di scolo della vaschetta di deposito e quello della vaschetta di scolo. Inserire la guarnitura (accessorio) e fissare il colletto del condotto di scolo (accessorio della vaschetta). V. Fig. 5.
- Nota: Sulle vaschette della serie F è presente un tubo di scolo di prolunga da collegare alla vaschetta di scolo del distributore e che termina sul foro predisposto su un lato della vaschetta.
- 8) Rimontare i pannelli nella loro posizione originaria.

**4. IMPILARE I DISTRIBUTORI**

**AVVERTENZA**

Controllare il modello del distributore. Per impilare due distributori sono necessari un distributore di tipo D e uno di tipo X. Per impilarne tre sono necessari un distributore di tipo D e due di tipo X. Il distributore di tipo D è stato progettato per funzionare da unità superiore, e quello di tipo X per funzionare da unità centrale o inferiore. Il distributore di tipo D e quello di tipo X sono dotati di due diversi interruttori di comando della vaschetta. L'interruttore di comando della vaschetta di un distributore di tipo X va usato solo nel caso si impilino più distributori rimuovendo l'interruttore di comando della vaschetta delle unità superiore (e centrale). Per collegare la vaschetta dell'unità inferiore (e centrale) a quella superiore sono necessari ulteriori cavi forniti con il distributore di tipo X. Un cablaggio malriuscito o mancante può provocare seri danni ai distributori e la loro conseguente indisponibilità.

- 1) Preparare la vaschetta di deposito e collocarla secondo quanto descritto ai punti 1) e 2) del capitolo "3. INSTALLAZIONE".
- 2) Togliere i pannelli dal distributore. Per effettuare l'installazione non è necessario togliere anche il pannello posteriore. Vedere il capitolo "1. DISIMBALLAGGIO".
- 3) Spostare con cautela il distributore per evitare danni al telaio.
- 4) Togliere il nastro da imballaggio dalla vaschetta di scolo.
- 5) Collegare l'unità inferiore (di tipo X) alla parte superiore della vaschetta di deposito. Vedere la Fig. 6.
- 6) Fissare l'unità inferiore con i due bulloni e le due rondelle in dotazione. Vedere la Fig. 6.

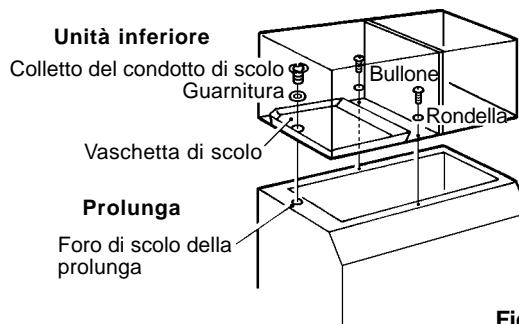


Fig. 6

- 7) Togliere il nastro da imballaggio dall'interruttore di comando della vaschetta sulla vaschetta di scolo. Collegare l'interruttore di comando della vaschetta al telaio situato in basso a sinistra sull'unità di condensazione e fissarlo con le due viti e le due rondelle in dotazione. Vedere la Fig. 7.

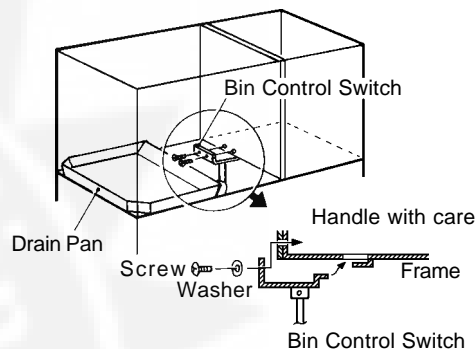


Fig. 7

- 8) [P-200SD] Allineare il foro di scolo della vaschetta di deposito con il foro di scolo della vaschetta di scolo. Inserire la guarnitura (accessorio della vaschetta) e serrare il colletto del condotto di scolo (accessorio della vaschetta), applicando una coppia non superiore al valore raccomandato di 39,2 Nm. Vedere la Fig. 6.
- 9) [Serie F] Individuare la prolunga del tubo di scolo. Togliere il dado di serraggio dalla sezione filettata e spingere il condotto filettato nel foro di scolo sul lato della vaschetta. Allineare il foro di scolo della vaschetta di deposito con il foro di scolo della vaschetta di scolo e inserire la guarnitura e il colletto del condotto di scolo nell'estremità libera del tubo. Serrare la prolunga con il dado di serraggio e riavvitare l'esterno della vaschetta.
- 10) Prima di impilare due o più distributori, togliere la copertura in plastica che riveste il canale di cablaggio dell'unità superiore o centrale. Scollegare i contatti sull'interruttore di comando della vaschetta (con innesto a tre). Togliere le viti e l'interruttore di comando della vaschetta. Componendo pile di due o più distributori, quest'interruttore diventa inutile. Conservarlo dopo averlo rimosso. Vedere la Fig. 8.

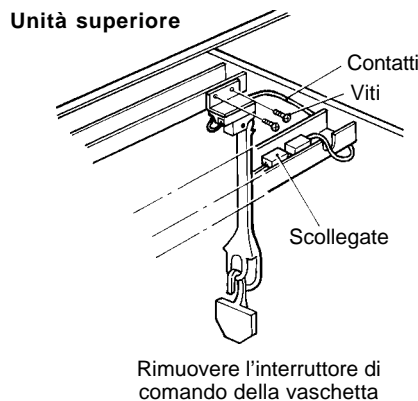


Fig. 8

- 11) Collegare l'unità superiore o quella centrale all'unità inferiore. Vedere la Fig. 9.

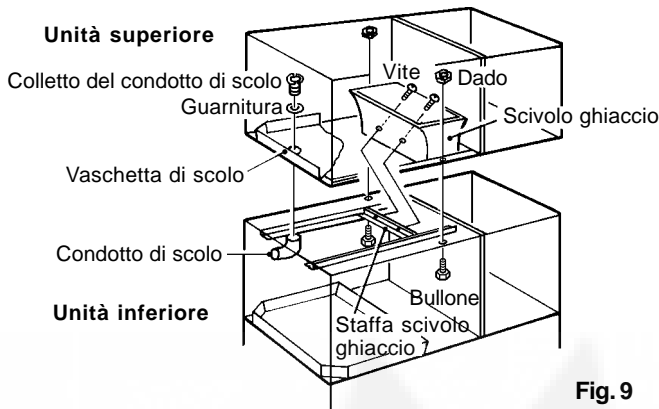


Fig. 9

- 12) Fissare le due unità con i due bulloni e i due dadi in dotazione. Vedere la Fig. 9.
- 13) Allineare il foro di scolo dell'unità inferiore con il foro della vaschetta di scolo dell'unità superiore. Inserire la guarnitura (accessorio dell'unità inferiore) e serrare il colletto del condotto di scolo (accessorio dell'unità inferiore). Vedere la Fig. 9.
- 14) Collocare lo scivolo ghiaccio (accessorio dell'unità inferiore) e fissarlo sulla staffa con le due viti.
- 15) Collegare i contatti (con innesto a tre) posti nel canale di cablaggio dell'unità inferiore alla morsettiera dell'unità superiore o di quella centrale, isolata al precedente punto 10). Fissare i contatti servendosi degli appositi morsetti. Rimontare il coperchio. Vedere la Fig. 10.
- 16) Rimontare i pannelli del distributore nella loro posizione originaria.

Nota: Nell'impilamento di tre distributori, ripetere i passi da 10) a 16) per l'unità superiore. Prestare attenzione al fatto che, indipendentemente dalla configurazione prescelta, deve essere installato UN SOLO comando vaschetta. I contatti della prolunga del comando vaschetta sono precablati e dotati di innesto e sono raccolti in un avvolgimento all'interno dell'apposito canale del distributore di tipo X.

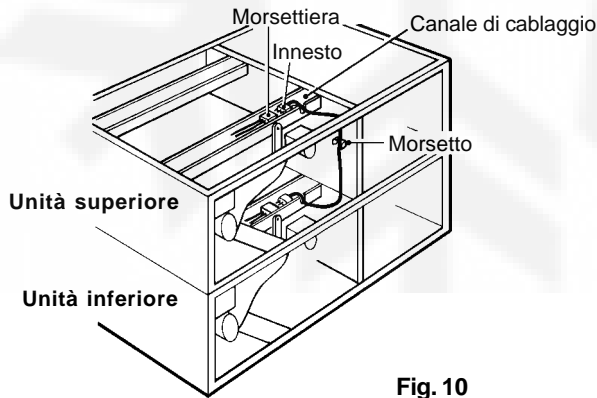


Fig. 10

## 5. COLLEGAMENTI ELETTRICI

### AVVERTENZA

#### COLLEGARE IL DISTRIBUTORE A UNA PRESA DI TERRA

Per questo distributore è necessario disporre di una presa a terra che risponda alle normative vigenti. Per evitare traumi alle persone e danni elettrici all'impianto, collegare il distributore a una presa a terra con un apposito filo. Rimuovere la spina dalla presa di corrente prima di effettuare qualunque intervento di manutenzione, riparazione o pulizia.

- \* Questo distributore deve essere collegato ad alimentazione separata o a una presa di corrente da 220 - 240V. Leggere la targhetta.
- \* In caso di distributori sovrapposti, ciascuno deve essere dotato di vaschetta di scolo separata, e devono essere tutti collegati in parallelo alla stessa presa monofase o a un circuito a sufficiente amperaggio.

Inoltre, per evitare scatti fastidiosi, è opportuno evitare di utilizzare interruttori separati per ciascuna macchina.

- \* Il fusibile dell'interruttore principale è da 5A e deve essere sostituito solo da un tecnico di manutenzione qualificato.
- \* Di solito sono necessari l'assistenza e la certificazione di un elettricista autorizzato.
- \* L'eventuale sostituzione del cavo di alimentazione o della spina deve essere effettuata solo da un tecnico di manutenzione qualificato.
- \* I fili di alimentazione sono rivestiti secondo il seguente schema colore:

Verde e Giallo = Terra  
 Blu = Neutro  
 Marrone = Tensione

Poiché i colori dei fili nel cavo di alimentazione di questo distributore potrebbero non corrispondere a quelli dello schema precedente utilizzato per la presa di alimentazione, procedere nel modo seguente:

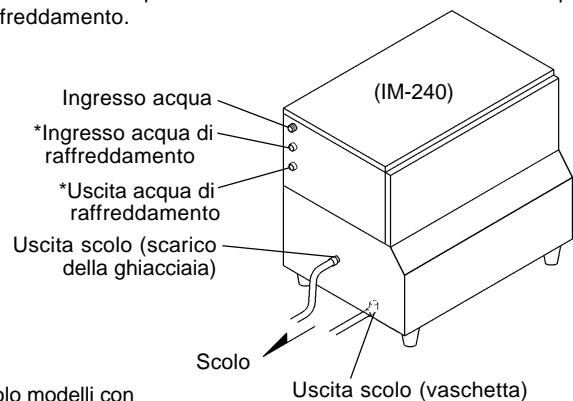
collegare il filo verde e giallo al terminale identificato con la lettera E o con il simbolo  $\perp$  o di colore verde o verde e giallo. Collegare il filo blu al terminale identificato con la lettera N o di colore nero. Collegare il filo marrone al terminale identificato con la lettera L o di colore rosso.

- \* Qualora le prese elettriche disponibili non siano adatte alla spina fornita con il distributore, è necessario sostituire la spina (se necessario tagliando il filo) con un'altra appropriata.

Disfarsi della spina non riutilizzabile tagliata dal cavo di alimentazione. Non cercare di riutilizzarla. Inserirlo in una qualunque presa di corrente costituisce un grave rischio di folgorazione.

## 6. COLLEGAMENTI PER ALIMENTAZIONE E SCARICO ACQUA

- \* Utilizzare esclusivamente acqua potabile.
- \* La pressione dell'acqua di alimentazione deve essere di almeno 0,5 bar e non superare gli 8 bar. Qualora la pressione superi gli 8 bar, usare una valvola di limitazione della pressione. NON agire sul rubinetto dell'acqua.
- \* In alcune zone, potrebbe essere richiesta l'assistenza e la certificazione da parte di un idraulico autorizzato.
- \* Nei modelli con raffreddamento ad acqua, può essere necessario disporre di un dispositivo antiriflusso nel circuito di raffreddamento.
- \* L'acqua di scarico deve confluire in un pozzetto aperto.
- \* La vaschetta di deposito è dotata di due scarichi di scolo. Quello superiore/esterno serve allo scolo del distributore, mentre quello inferiore/interno serve alla vaschetta. Separare i due condotti di scolo per evitare la possibilità di reflussi nella vaschetta di deposito.
- \* Nei modelli con raffreddamento ad acqua, può rendersi necessario installare un dispositivo antiriflusso nel circuito dell'acqua di raffreddamento.



- \* solo modelli con raffreddamento ad acqua

Fig. 11

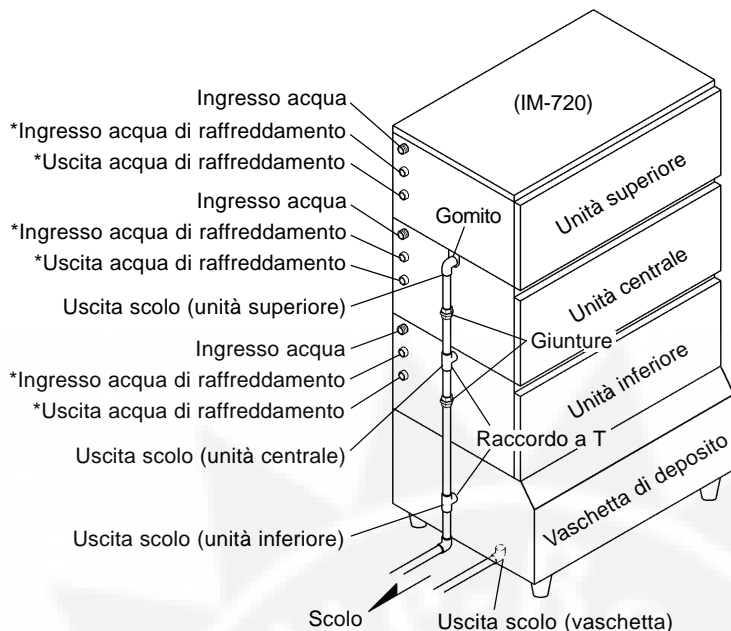


Fig. 12

\* solo modelli con raffreddamento ad acqua

**[Modelli con raffreddamento ad aria]**

- 1) Collegare l'estremità ad angolo del flessibile bianco (accessorio) al raccordo G3/4 sul retro del distributore come indicato (Fig. 13), accertandosi che la guarnizione di tenuta sia correttamente posizionata. Avvitare quanto basta a evitare perdite.
- 2) Collegare l'altra estremità del flessibile al rubinetto dell'acqua (Fig. 14), accertandosi che la guarnizione sia correttamente posizionata prima di avvitare come sopra. Si consiglia di tenere una valvola d'arresto a portata di mano.
- 3) Collegare il flessibile grigio (accessorio) al raccordo R3/4 sul retro del distributore come indicato (Fig. 13), accertandosi che la guarnizione di tenuta sia correttamente posizionata. Avvitare quanto basta a evitare perdite. Accorciare il tubo in modo da garantire la corretta posizione del canale di scolo.

Nota: utilizzare solo sigillanti approvati per l'impiego con acqua potabile.

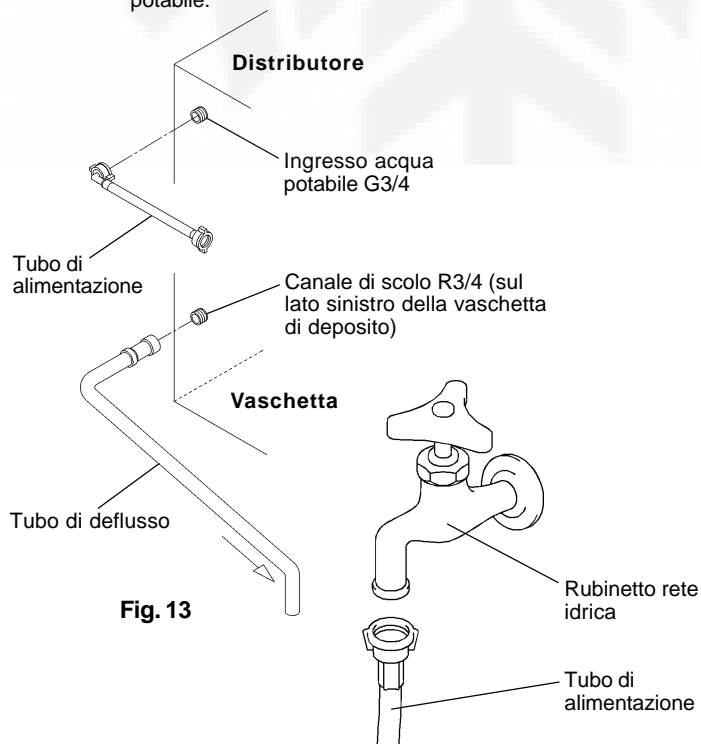


Fig. 13

Fig. 14

**[Modelli con raffreddamento ad acqua]**

- \* La Hoshizaki raccomanda di collegare il condensatore a un sistema di raffreddamento a circuito chiuso con ricircolo servendosi di un raffreddatore a torre o equivalente (v. Fig. 15 e 16). La formazione d'acqua dovrebbe avvenire tramite un serbatoio di interruzione o una valvola a sfera.
- \* Alimentare un condensatore raffreddato ad acqua con acqua potabile non influenza le prestazioni della macchina, ma produce senz'altro uno spreco di risorse e non è consigliabile.
- \* Per garantirsi un'adeguata installazione, affidarsi all'opera di un idraulico qualificato e autorizzato.
- \* L'installazione deve essere eseguita in ottemperanza alle norme vigenti.

**[a] Collegamenti conformi alla normativa WRC in vigore nel Regno Unito (Fig. 15 e 16)**

- \* Nella scelta della torre di raffreddamento, seguire i seguenti valori massimi per il flusso di calore all'interno del condensatore:

Modello IM-240DW/XW: 5235 W

- \* Le tubazioni tra la torre di raffreddamento e il distributore dovrebbero essere da almeno 20 mm per ridurre le cadute di pressione, per quanto i raccordi del distributore siano da 13 mm.
- \* Le cadute di pressione nel circuito idrico all'interno dell'unità dovrebbero essere tra i 5 e i 6 m per un flusso dell'acqua di raffreddamento di 4-5 l/min.
- \* Nella scelta della torre di raffreddamento, seguire i valori massimi per il flusso di calore all'interno del condensatore riportati in alto.
- \* Non utilizzare pompe in cascata per evitare che il regolatore dell'acqua vari il flusso e lo interrompa durante il ciclo di sbrinamento.
- \* Pulire periodicamente il filtro.

**[Collegamenti del distributore]**

- 1) Collegare l'estremità ad angolo del flessibile bianco (accessorio) al raccordo G3/4 sul retro del distributore come indicato, accertandosi che la guarnizione di tenuta sia correttamente posizionata. Avvitare quanto basta a evitare perdite.
- 2) Collegare l'altra estremità del flessibile al rubinetto dell'acqua (Fig. 14), accertandosi che la guarnizione sia correttamente posizionata prima di avvitare come sopra.
- 3) Collegare il flessibile grigio (accessorio) al raccordo R3/4 sulla sinistra della vaschetta di deposito come indicato (Fig. 15), accertandosi che la guarnizione di tenuta sia correttamente posizionata. Avvitare quanto basta a evitare perdite. Se necessario, accorciare il tubo in modo da garantire la corretta posizione del canale di scolo.
- 4) Servendosi di una chiave adatta, serrare i nippli (accessori) da 1/2-3/4 ai raccordi Rc da 1/2 sul lato sinistro della ghiacciaia. Utilizzare nastro in PTFE o altri sigillanti adatti per ottenere un'adeguata tenuta.

Nota: usare solo composti approvati per l'impiego con acqua potabile.

- 5) Collegare il circuito di raffreddamento del condensatore alle estremità libere dei nippli da 1/2-3/4 (Fig. 15) servendosi di un tubo rigido adatto. Utilizzare nastro in PTFE o altri sigillanti adatti per ottenere un'adeguata tenuta.

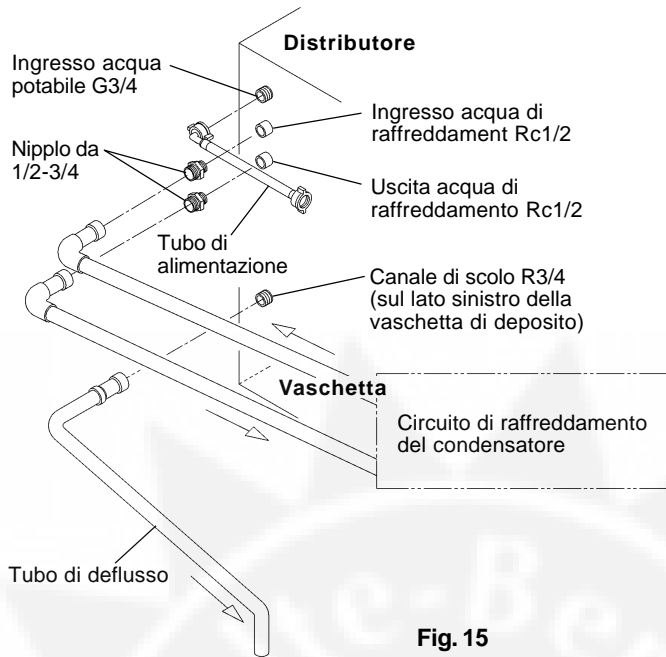


Fig. 15

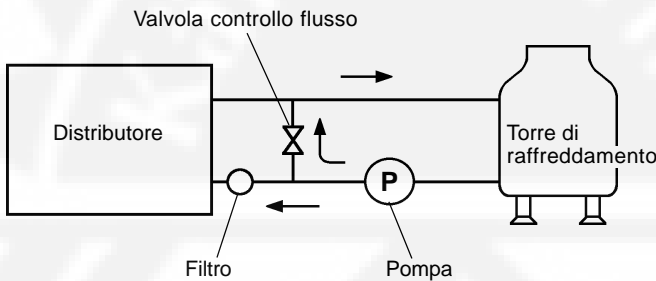


Fig. 16

**[b] Collegamenti effettuati tramite tubi accessori in conformità a normative diverse dalla normativa WRC in vigore nel Regno Unito (Fig. 17)**

- 1) Seguire le istruzioni riportate ai punti da 1) a 4) nel precedente paragrafo [a].
- 2) Per i collegamenti del condensatore, utilizzare i tubi forniti come accessori seguendo le modalità indicate ai punti da 1) a 3) nel precedente paragrafo [a] collegandoli alle estremità libere dei nipples da 1/2-3/4 come illustrato in Fig. 17.

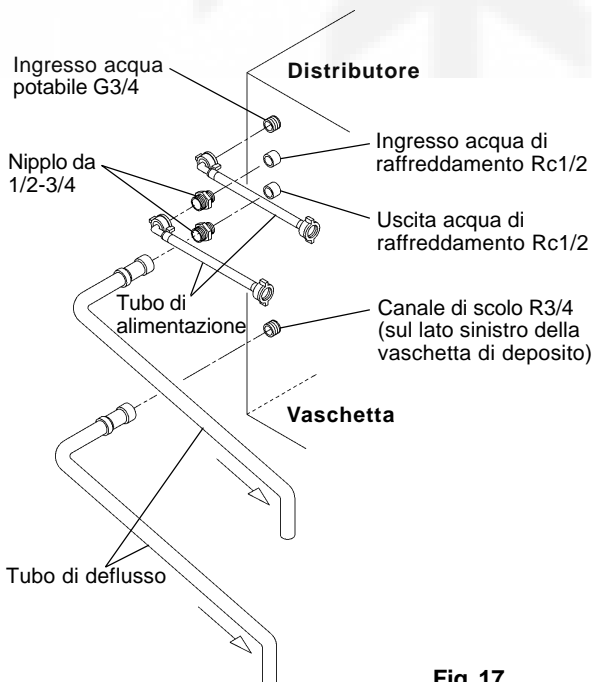


Fig. 17

## 7. PROCEDURA DI AVVIAMENTO

- 1) Togliere alimentazione alla macchina.
- 2) Aprire il rubinetto dell'acqua.
- 3) Collegare la macchina alla rete e dare alimentazione.
- 4) Le seguenti operazioni dovrebbero avvenire in sequenza:
  - a) Parte il compressore (valvola gas aperta).
  - b) Si apre la vaschetta dell'acqua.
  - c) Si apre l'elettrovalvola dell'acqua.
  - d) Comincia a chiudersi la vaschetta dell'acqua (valvola gas chiusa).
  - e) La vaschetta dell'acqua si chiude completamente e si avvia il motore della pompa.
  - f) Si chiude l'elettrovalvola dell'acqua.

### IMPORTANTE

1. Controllare le condizioni e la qualità del ghiaccio prodotto.
2. Non utilizzare il ghiaccio prodotto in fase di prova. Potrebbe risultare contaminato per la presenza di corpi estranei nel circuito idrico. Svuotare e risciacquare la vaschetta di scolo.

## 8. CONTROLLI FINALI

- 1) Sono presenti perdite d'acqua?
- 2) Il distributore vibra?
- 3) I pannelli sono tutti fissati saldamente?
- 4) L'utente è stato istruito circa il corretto impiego della macchina e ha ricevuto il manuale di istruzione?



# **HOSHIZAKI**

**HOSHIZAKI EUROPE LTD.**

**UNIT A, STAFFORD PARK 18, TELFORD,  
SHROPSHIRE TF3 3DJ ENGLAND  
PHONE: 01952-291777**