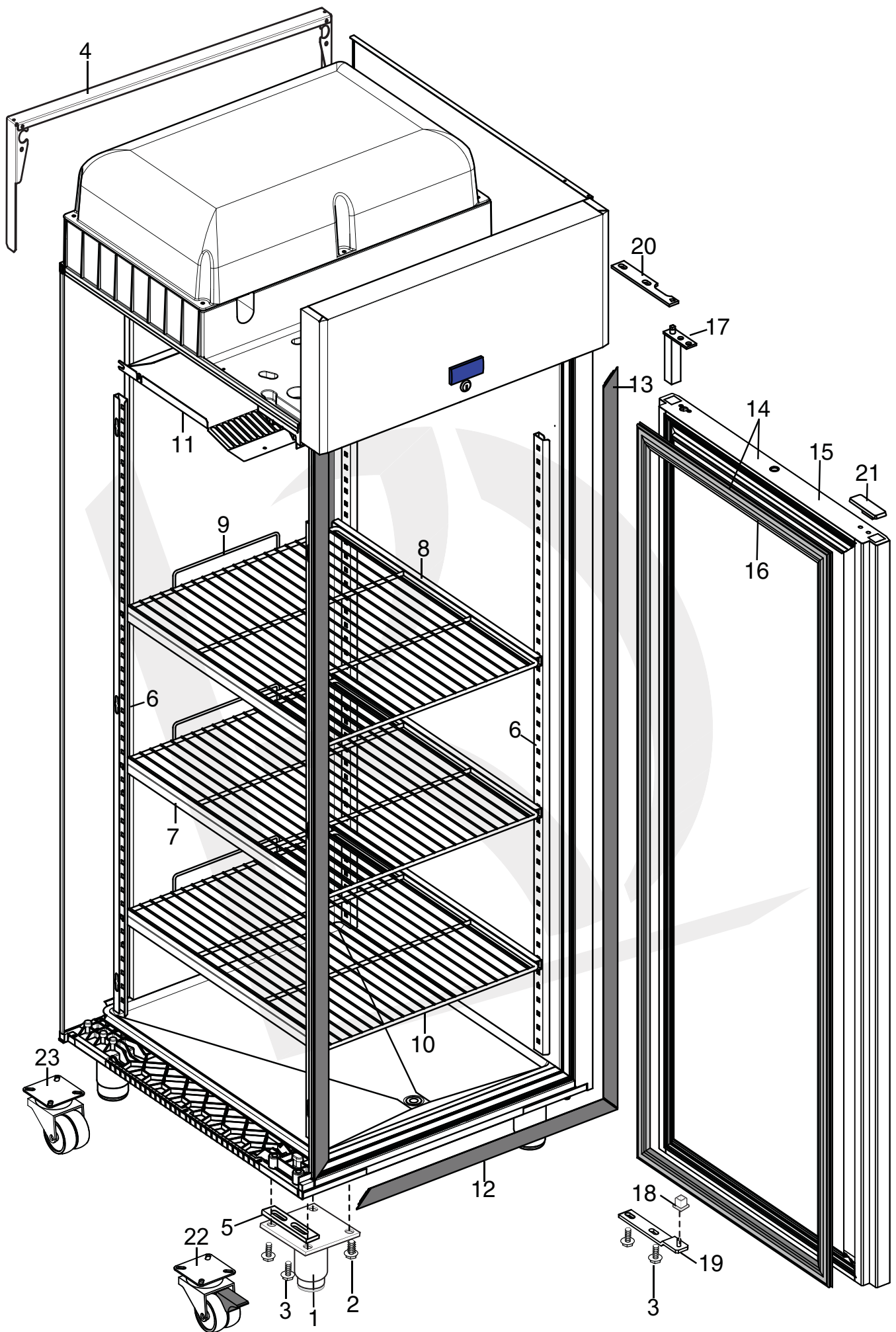


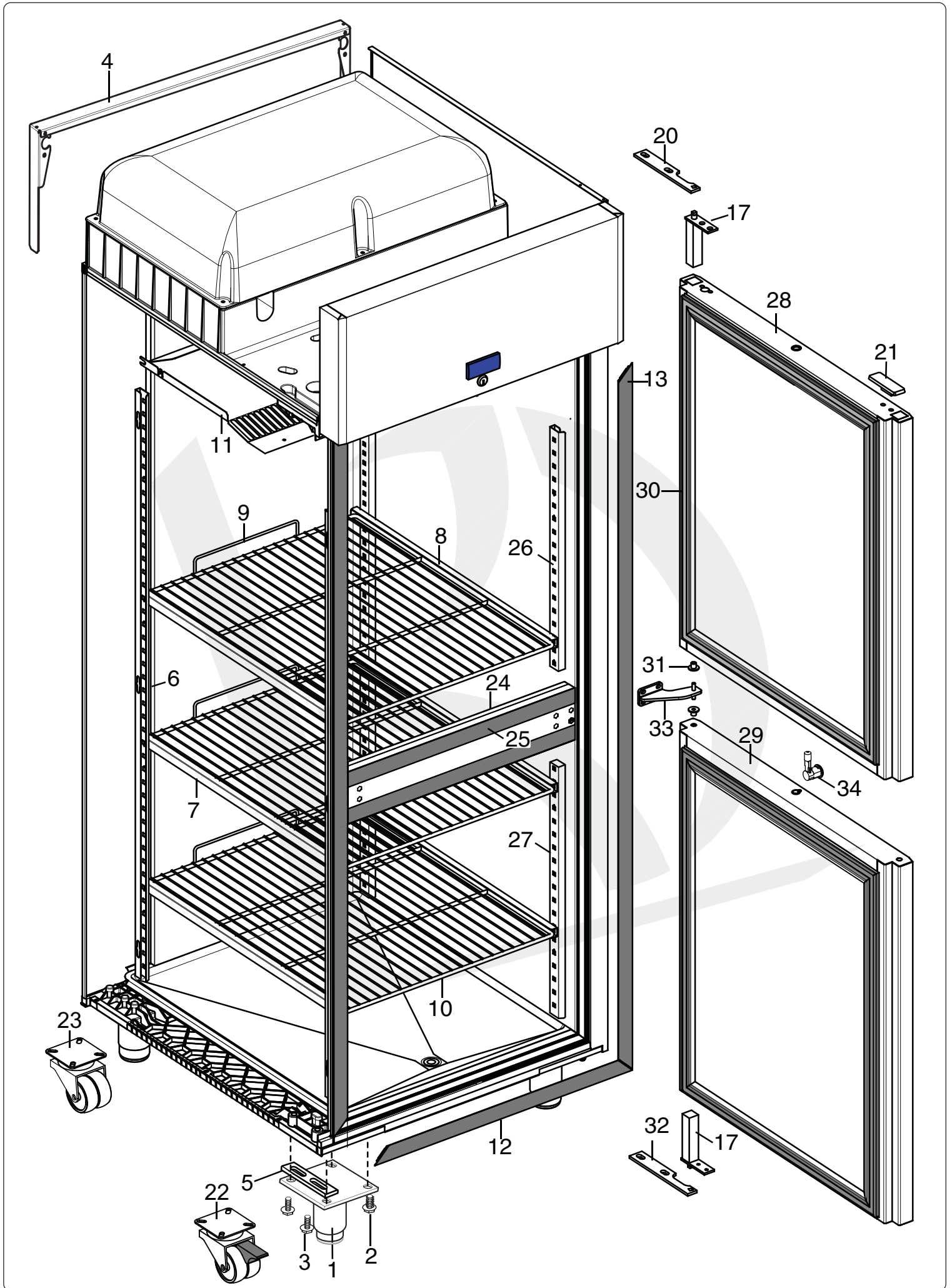
CABINETS MASS/GAB

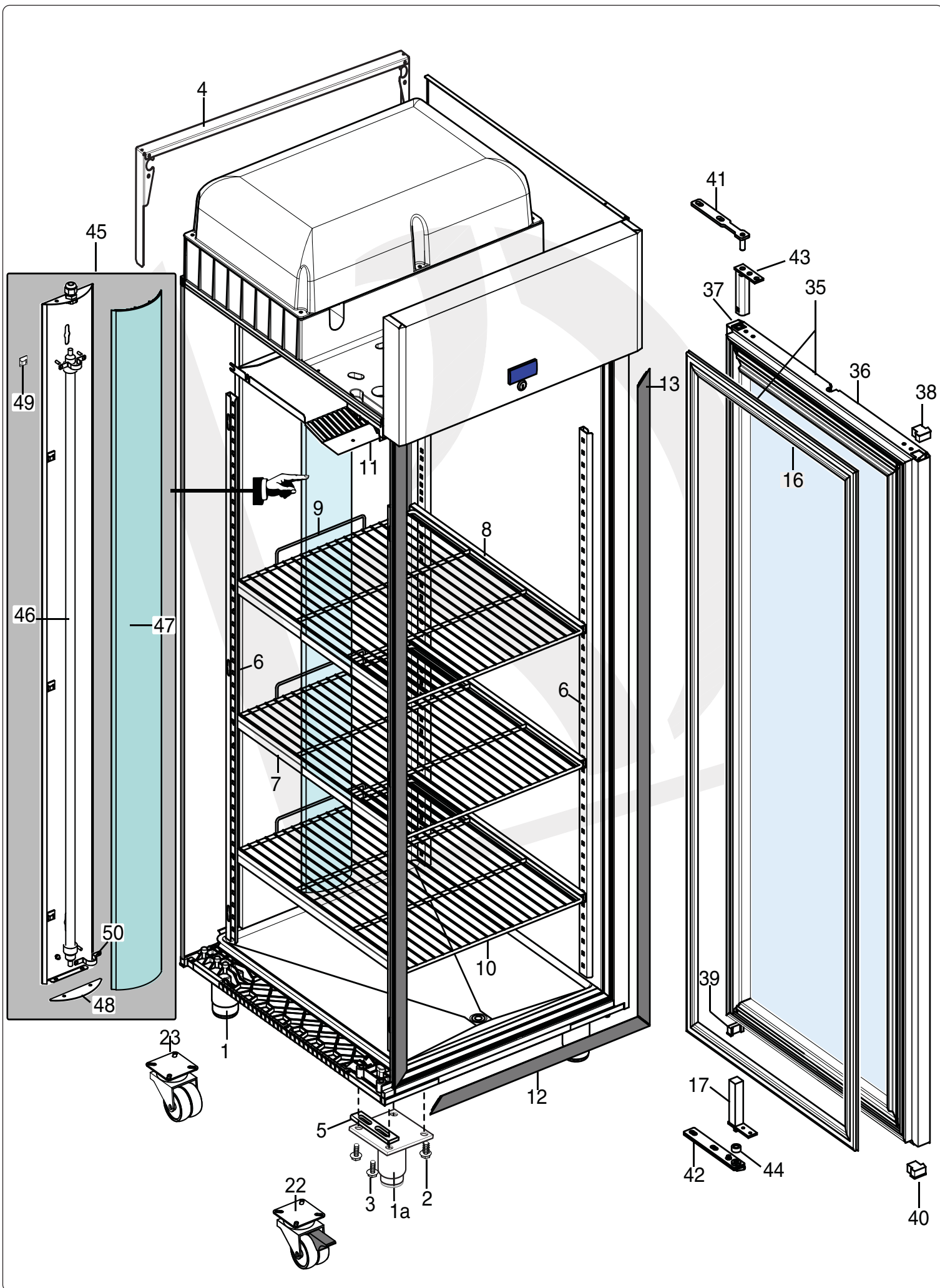
PNC	Avv. Model	Ref.	Page
727272	00/03 FV 1M MASS 304/304 DIG. -2/+10	a	2, 5, 6
727444	00/03 FV 1M MASS DIG. -2/+10 SCHIEN.A304 SA 50HZ	a	2, 5, 6
727292	00/03 FV 1M GAB AISI 430/430 DIG. 0 /+6°C	b	2, 5, 6
727335	00/03 FV 1M GAB AISI 430/430 DIG. -2 /+10°C	c	2, 5, 6
727354	00/03 FV 1M MASS 304/304 DIG. 0/+6° ELUX UK	d	2, 5, 6
727369	00/03 FV 1M GAB AISI 430/430 DIG. 0/+6°C ELUX UK	e	2, 5, 6
727274	00/03 FV 1M 2 1/2 PORTE TN -2/+10 MASS CABINET	f	3, 5, 6
727371	00/04 FV 1M 1/2PORTE GAB TN 0/+6°C UK TO BRAND A430	g	3, 5, 6
727273	00/03 FV 1M PV MASS 304/304 DIG. +2/+10	h	4, 5, 6
727293	00/03 FV 1M PV GAB AISI 430/430 DIG. +2+10°C	i	4, 5, 6
727355	00/03 FV 1M PV MASS 304/304 DIG. +2/+10° ELUX UK	l	4, 5, 6
727370	00/03 FV 1M PV GAB AISI 430/430 DIG.+2/+10°C ELUX UK	m	4, 5, 6
727356	00/03 FV 1M 2 1/2 PORTE TN 0/+6 MASS CABINET UK	n	3, 5, 6
728706	00/02 FV 1M MASS 304/304 DIG. 0/+6° DIGRIM-KIPRO	o	2, 5, 6
727462	00/05 FV 1M GAB AISI 430/430 DIG. 0/+6°C UK GK	p	2, 5, 6
727463	00/05 FV 1M GAB AISI 430/430 DIG. 0/+6°C UK GK inc. sx	p	2, 5, 6

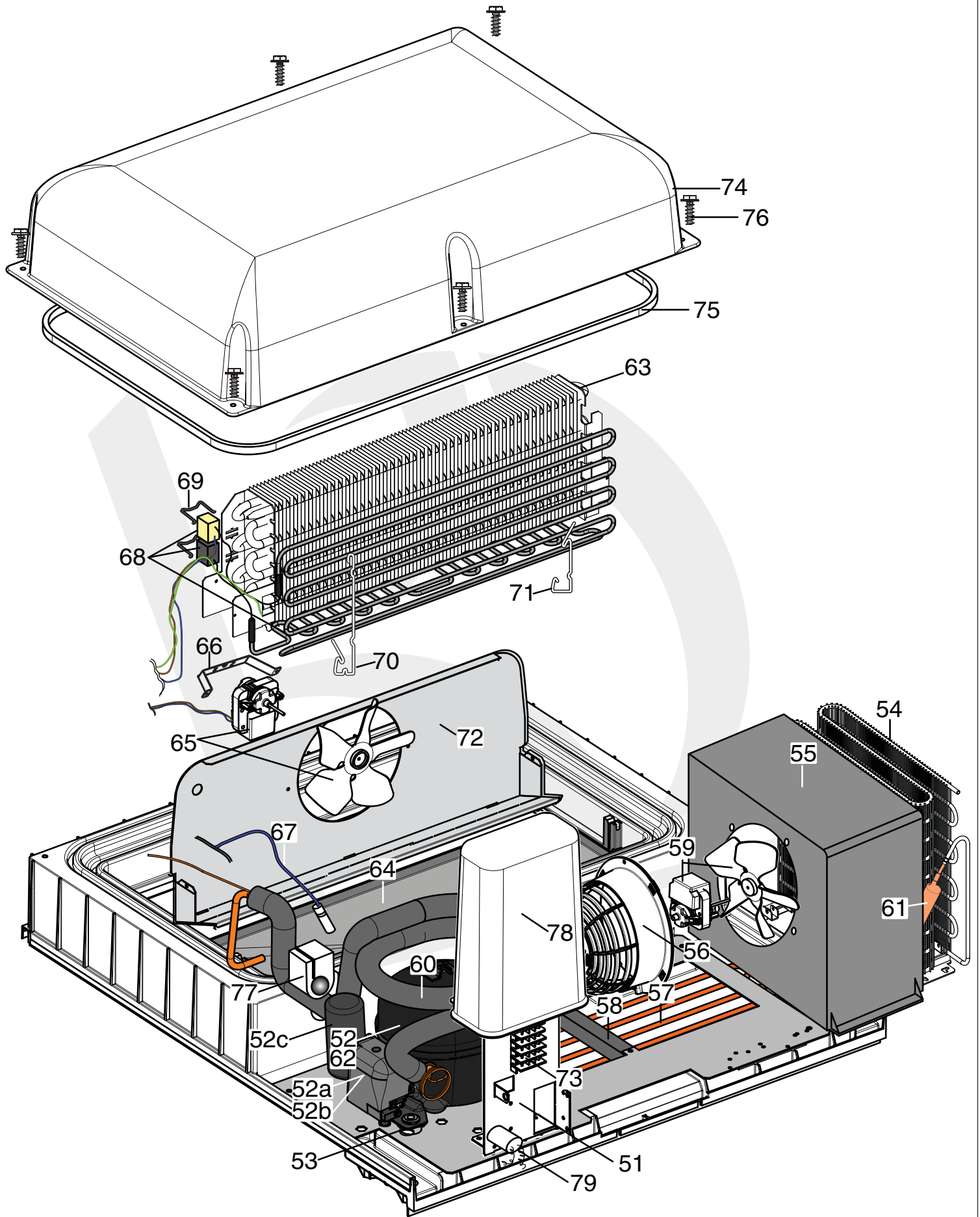
Note:

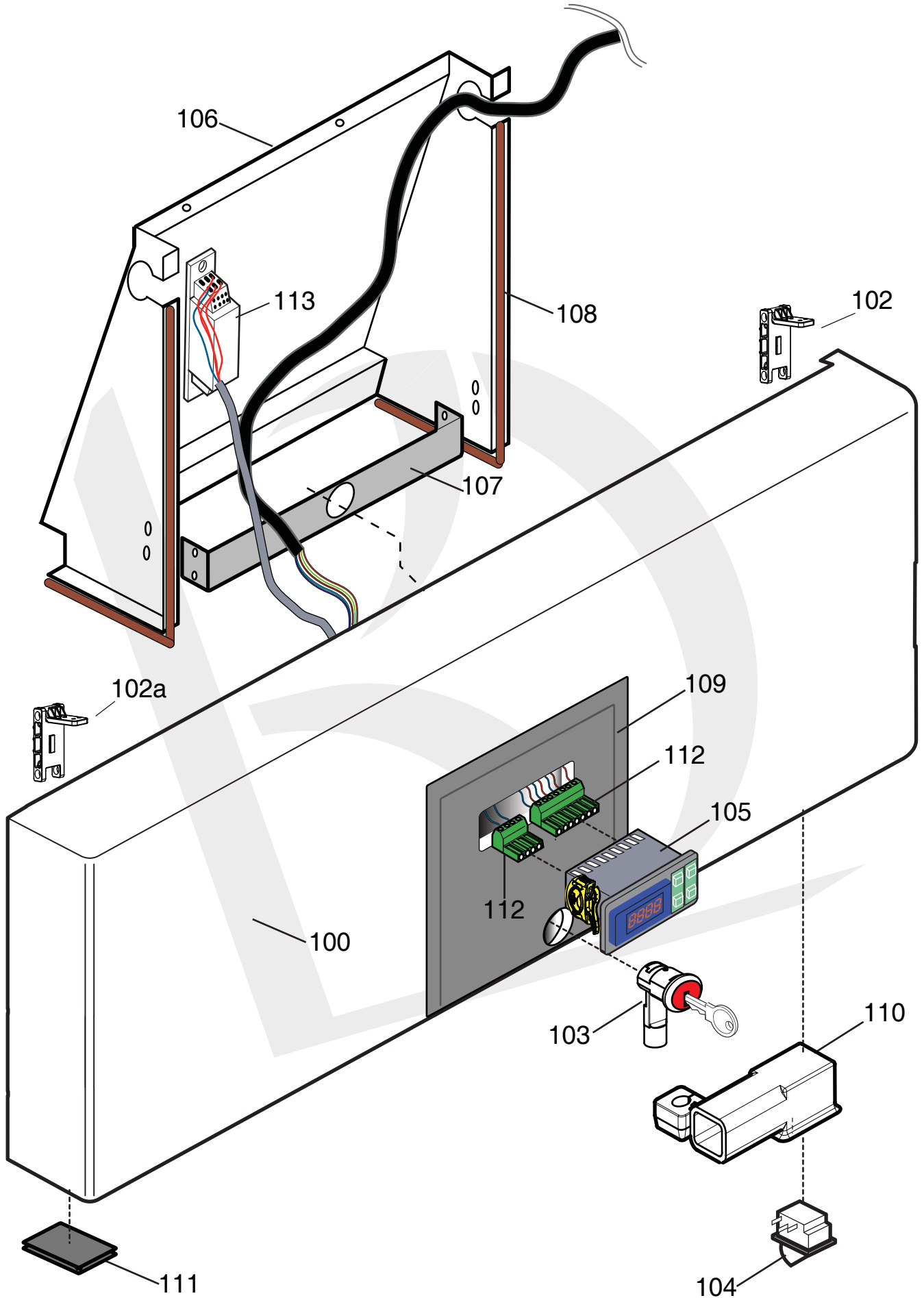
	Index	Indice
Pag. 2,3,4	Cabinet and door	Armadio e porta
5	Cooling unit assembly	Gruppo refrigerante
6	Control panel	Pannello comandi
7,8,9	Spare parts list	Lista ricambi











Refrigerators

PNC	Ref.	PNC	Ref.	PNC	Ref.	PNC	Ref.	PNC	Ref.	PNC	Ref.	PNC	Ref.
727272	a	727292	b	727335	c	727354	d	727369	e	727274	f	727371	g
727273	h	727293	i	727355	l	727370	m	727256	n	728706	o	727444	a
727462	p	727463	p										
Pos	Fact/code	Spare C.	Descrizione				Description				Ref/Note		
1	541R05001	093243	Piedino				Foot				a,b,c,f,g,h,i,o		
1a	518R02600	093244	Piedino anteriore porta vetro				Back foot glass door				h,i		
2	217555204	093245	Vite per plastica per piedino				Screw (use by fix foot)						
3	518708601	093246	Vite M8x20 per fiss. staffa sup/inf				Screw M8X20 (use by fix bracket)						
4	502R17400	093247	Staffa supporto fianchi				Side support (upper)						
5	546R22800	093248	Distanziale per piede				Foot spacer						
6	501R38201	093249	Cremagliera				Rack						
7	501R47900	093250	Guida Sx				Left support						
8	501R48100	093251	Guida Dx				Right support						
9	514R10600	093252	Griglia 2/1				Grid 2/1						
10	514R12200	093253	Griglia di fondo				Bottom grid						
11	501R56100	093458	Carter interno 430				Internal protection aisi 430						
12	832R09001	093254	Cornice orrizzontale				Orrizzontal frame						
13	832R09101	093255	Cornice verticale				Vertical frame				a,b,c,d,e, h,i,l,m,o,p		
13	832R09300	093256	Cornice verticale				Vertical frame				f,g,n		
14	835R27001	093289	Porta con guarnizione aisi 304				Gasket and door				a,d,o		
14	835R27100	093290	Porta con guarnizione aisi 430				Gasket and door				b,c,e,p		
15	835R27401	093291	Porta aisi 304				Door				a,d,o		
15	835R27501	093292	Porta aisi 430				Door				b,c,e,p		
16	548R06802	093257	Guarnizione porta pv/pc				Gasket door (gl/fl)						
17	835704001	082219	Cerniera porta				Hinge door						
18	544700601	081654	Boccola per porta				Door bush				a,b,c,d,e,p		
19	833R21600	093341	Staffa inferiore porta				Lower stirrup door				a,b,c,d,e,p		
20	505723802	082257	Staffa superiore porta				Upper stirrup door				a,b,c,d,e,f,g,n,p		
21	541R05300	093271	Tappo per cerniere				Hole hinge plug				a,b,c,d,e,f,g,n,p		
22	835R24900	093575	Ruota rotante con freno				Brake weel				d,e,l,m,n,p		
23	835R24800	093574	Ruota rotante				Weel				d,e,l,m,n,p		
24	880R64100	093342	Traversa per 1/2 porte a304				Support half door a304				f,n		
24	880R64200	093343	Traversa per 1/2 porte a430				Support half door a430				g		
25	543R09900	093272	Cornice per traversa				Support half door frame				f,g,n		
26	501R51800	093275	Cremagliera ant. 1/2 porte superiore				Upper rack 1/2 doors				f,g,n		
27	501R51600	093276	Cremagliera ant. 1/2 porte				Lower rack 1/2 doors				f,g,n		
28	835R25403	*	Ass. 1/2 porta superiore a304				Upper half door a304				f,n		
28	835R27900	*	Ass. 1/2 porta superiore a430				Upper half door a430				g		
29	835R25502	093519	Ass. 1/2 porta inferiore a304				Lower half door a304				f,n		
29	835R27801	093520	Ass. 1/2 porta inferiore a430				Lower half door a430				g		
30	548R07101	093273	Guarnizione magnetica 1/2 porte				Half door gasket				f,g,n		
31	546R21100	093392	Boccola per cerniera 1/2 porte				Half door bush				f,g,n		
32	833R21900	093301	Ass. cerniera inferiore				Lower hinge assembly				f,g,n		
33	505R12400	093344	Cerniera centrale				Central hinge door				f,g,n		
34	833R21100	093433	Serratura				Serratura				f,g,n		
35	880R57001	093302	Ass. porta vetro				Glass door assembly				h,i,l,m		
36	879R15600	093274	Porta vetro				Glass door				h,i,l,m		
37	546R22400	093535	Tappo sup. dx pv				Upper right plug door GL				h,i,l,m		
38	546R22300	093536	Tappo sup. sx pv				Upper left plug door GL				h,i,l,m		
39	546R22500	093537	Tappo inf. dx pv				Lower right plug door GL				h,i,l,m		
40	546R22200	093538	Tappo inf. sx pv				Lower left plug door GL				h,i,l,m		
41	505R12700	093349	Cerniera superiore pv				Upper hinge GL				h,i,l,m		
42	833R21900	093301	Ass. staffa inf. (reversibile) pv				Lower bracket (reversible)				h,i,l,m		
43	835R28100	093320	Ass cerniera sup pv				Upper hinge GL				h,i,l,m		
44	546R23100	093517	Boccola per cerniera PV				Hinge bush GL				h,i,l,m		
45	880R60700	093303	Ass. porta lampada completo				Light support assembly				h,i,l,m		
46	661R01000	093350	Lampada 28W				Neon 28W				h,i,l,m		
47	546R22600	093258	Frontale lampada				Protection light				h,i,l,m		
48	501R49500	093351	Tappo chiusura luce				Plug of clousure				h,i,l,m		

Refrigerators

PNC	Ref.	PNC	Ref.	PNC	Ref.	PNC	Ref.	PNC	Ref.	PNC	Ref.	PNC	Ref.
727272	a	727292	b	727335	c	727354	d	727369	e	727274	f	727371	g
727273	h	727293	i	727355	l	727370	m	727256	n	728706	o	727444	a
727462	p	727463	p										
Pos	Fact/code	Alias	Descrizione				Description				Ref/Note		
49	546R23200	093352	Ferma cavo				Wiring stopper				h,i,l,m		
50	501R50200	093321	Fermo lampada				Stopper light				h,i,l,m		
51	501R41503	093332	Supporto impianto elettrico				Electrical wiring support						
52	684R05100	093267	Compressore (EMT6144Z) 220/50 hz				Compressor (EMT6144Z)220/50hz						
52a	*	*	Relè avviamento				Start relay						
52b	*	*	Protettore				Protector						
52c	*	*	Condensatore di avviamento				Start capacitor						
53	518708401	087122	kit fissaggio compressore				Compressor fixing compressor						
54	830R06500	093346	Condensatore a fili 4R				Wiring Condenser						
55	546R24100	*	Convogliatore condensatore				Condenser conveyor						
56	546R24300	*	Supporto motore condensatore				Fan condenser support						
57	515R12700	093259	Serpentina evap. acqua di condensa				Evaporation water pipe						
58	543R09300	093260	Fissaggio serpentina				Stopper pipe						
59	682R05600	093322	Ventilatore condensatore				Condenser ventilator						
60	858R06200	093393	Scambiatore				Heat exchanger						
61	858R00100	099949	Filtro				Dehydrator filter						
62	A02021800	0A8171	Valvola per copressore				Compressor valve (charge or disch.)						
63	830R03901	093323	Evaporatore 2R 8T				Evaporator 2R 8T				a,d,f,g,h,l,n		
63	830R04201	093324	Evaporatore 2R - 4T				Evaporator 2r				b,c,i,e,m,g,o,p		
64	546R19201	093469	Vaschetta evaporatore				Evaporator tray						
65	682R05701	093325	Ventilatore evaporatore (fime)				Evaporator fan (fime)						
66	501R45101	093326	Staffa motore evaporatore				Fan evaporator support						
67	646R06800	092174	Sonda cella				Cell probe						
68	617R06101	093327	Resistenza con termostati				Heating element with thermostat				a,c,f		
69	514R11600	093487	Molla per fissaggio termostati				Thermostat spring				a,c,f		
70	514R10800	093368	Molla per fissaggio resistenza 2R				Heating element spring 2R				a,c,f		
71	514R12000	093353	Molla per fissaggio resistenza				Heating element spring				a,c,f,n		
72	501R44001	093294	Convogliatore evaporatore				Evaporator conveyor						
73	639R09900	093528	Morsettiera				Clamp						
74	835R24101	093261	Assieme Calotta				Evaporator cover						
75	14701R003	093262	Neoprene espanso 8x13,3 nero (M4)				Gasket cover (neoprene 8x13,3)						
76	217555204	093245	Vite senza punta x plastica				Cover screw						
77	546R19702	093263	Tamponcino per tubi				Pipe cover insulation						
78	541R04801	093264	Copertura impianto elettrico				Electrical cover						
79	694R00501	092257	Filtro antisturbo				Electrical filter						
99	880R50104	093304	Cruscotto completo aisi 304				Panel control complete aisi 304				a,d,f,n,o		
99	880R50401	093305	Cruscotto completo aisi 430				Panel control complete aisi 430				b		
99	880R50704	093306	Cruscotto completo aisi 430				Panel control complete aisi 430				c,e,g,p		
99	880R58503	093307	Cruscotto completo aisi 304 PV				Panel control complete aisi 304				h,l		
99	880R58606	093308	Cruscotto completo aisi 430 PV				Panel control complete aisi 430				i,m		
100	509R12603	093265	Cruscotto comandi				Panel 304 AISI				a,d,f,h,l,n,o		
100	509R12703	093266	Cruscotto comandi				Panel 430 AISI				b,c,e,g,i,m,p		
102	832R10100	*	Cerniera per cruscotto dx				Hinge for panel						
102a	832R10200	*	Cerniera per cruscotto sx				Hinge for panel						
103	833R20900	093345	Serratura				Latch						
104	640712100	087485	Micro porta				Switch						
105	646R10802	093328	Termoregolatore ir33 Gab/mass pc				Thermoregulator Gab /mass				To be settled		
105	646R11000	093329	Termoregolatore ir33 Gab/mass pv				Thermoregulator Gab /mass				h,i,l,m To be settled		
106	501R37401	093295	Protezione				Protection						
107	501R37501	093354	Staffa per protezione				Support fro protection						
108	140088006	0L0113	Guarnizione				Gasket						
109	755R03901	093268	Membrana				Membrane						
110	546R12100	092353	Protezione micro porta				Swich door protection						
111	541R05400	093269	Tappo per cerniera porta				Door hinge plug						
112	639R06800	*	Connettore dritto 3 vie				Connector 3 ways right						
112	639R06900	*	Connettore dritto 7 vie				Connector 7 ways right						

Refrigerators

PNC	Ref.	PNC	Ref.	PNC	Ref.	PNC	Ref.	PNC	Ref.	PNC	Ref.	PNC	Ref.
727272	a	727292	b	727335	c	727354	d	727369	e	727274	f	727371	g
727273	h	727293	i	727355	l	727370	m	727256	n	728706	o	727444	a
727462	p	727463	p										

Pos	Fact/code	Alias	Descrizione	Description	Ref/Note
112		099740	Connettore 90° 7 vie	Connector 7 ways 90°	
112		099741	Connettore 90° 5 vie	Connector 5 ways 90°	
112		088998	Connettore 90° 3 vie	Connector 3 ways 90°	
112		099743	Connettore 90° 3 vie piccolo	Connector 3 ways 90° small	
112		099742	Connettore 90° 2 vie	Connector 2 ways 90°	
112		091682	Connettore 90° 4 vie	Connector 4 ways 90°	
112		091684	Connettore 90° 5 vie	Connector 5 ways 90°	
*	639R09600	093180	Convertitore spina UK	UK plug converter	d,e,g,p
113	624R01400	093270	Alimentatore	Light power	h,i,l,m,n