



BLAST CHILLERS/FREEZERS 15kg GN 1/1 CROSSWISE

PNC	Avv.	Model	Ref.	Page
110201	00/00	Crosswise 15/19 kg GN 1/1 Freezer 60HZ Zanussi	u	2 3
110717	35/35	Crosswise 15 kg GN 1/1 Chiller Zanussi	e	2 3
110721	37/37	Crosswise 15/19 kg GN 1/1 Freezer Zanussi	b	2 3
726620	36/36	Crosswise 15 kg GN 1/1 Chiller Electrolux	d	2 3
726621	27/27	Crosswise 15/19 kg GN 1/1 Chiller/remoto Electrolux	i	2 3
726627	38/38	Crosswise 15/19 kg GN 1/1 Freezer Electrolux	a	2 3
726628	28/28	Crosswise 15/19 kg GN 1/1 Freezer/remoto Electrolux	g	2 3
727131	23/23	Crosswise 15/19 kg GN 1/1 Freezer 60HZ Electrolux	q	2 3
727497	03/03	Crosswise 15/19 kg GN 1/1 Freezer TK Electrolux	t	2 3
728210	35/35	Crosswise 15 kg GN 1/1 Chiller Alpeninox	f	2 3
728214	37/37	Crosswise 15/19 kg GN 1/1 Freezer Alpeninox	c	2 3
728637	14/14	Crosswise 15/19 kg GN 1/1 Freezer Digrim	c	2 3
728823	03/03	Crosswise 15/19 kg GN 1/1 Chiller/remoto Alpeninox	s	2 3
728824	04/04	Crosswise 15/19 kg GN 1/1 Freezer/remoto Alpeninox	r	2 3

Note: per la corretta identificazione dei componenti, attenersi esclusivamente alle pagine indicate e alla lettera di riferimento.

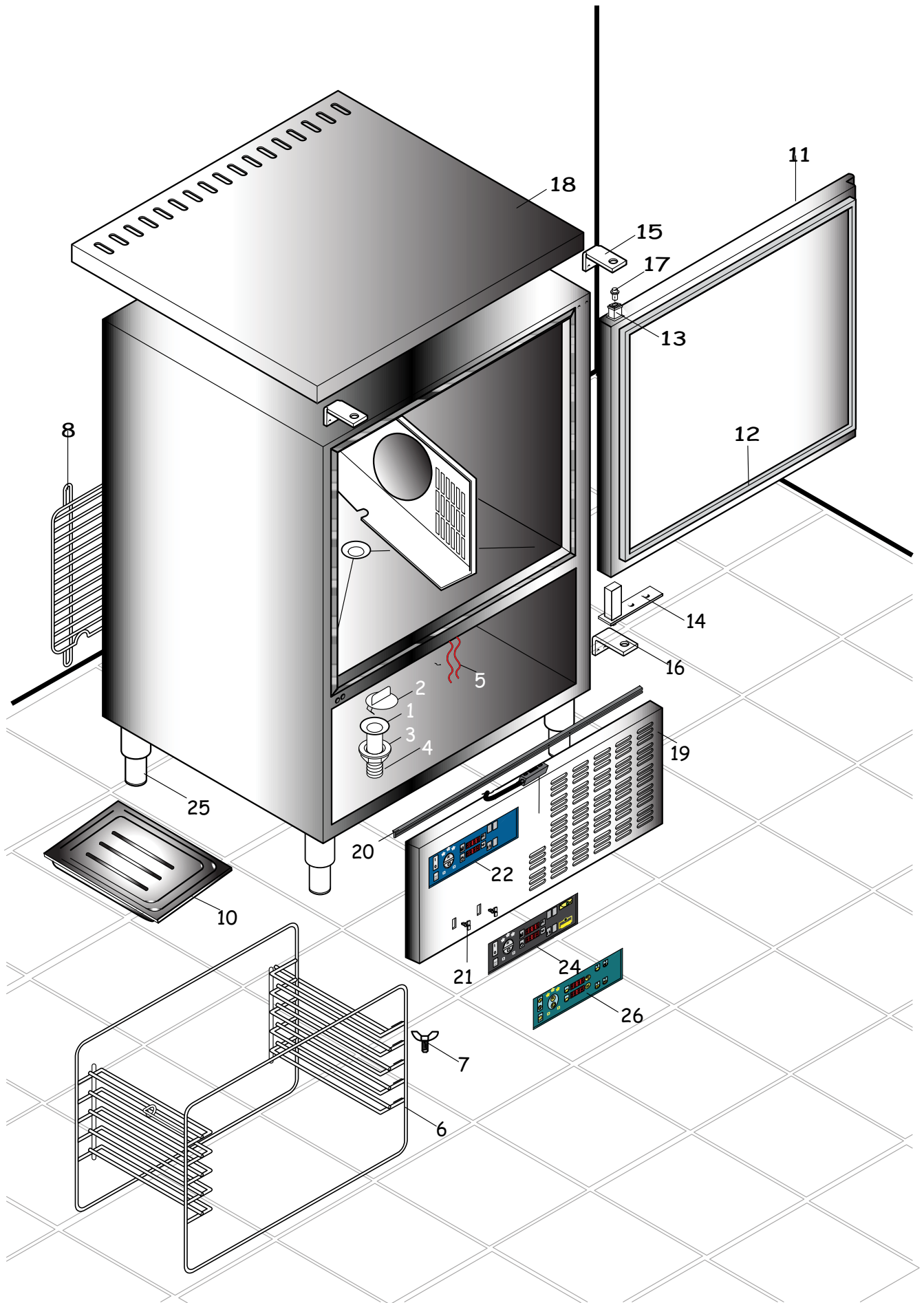
Note: for the correct identification of the components, follow the indicated pages and the reference letter

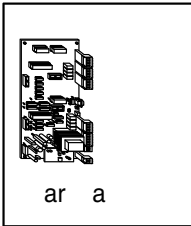
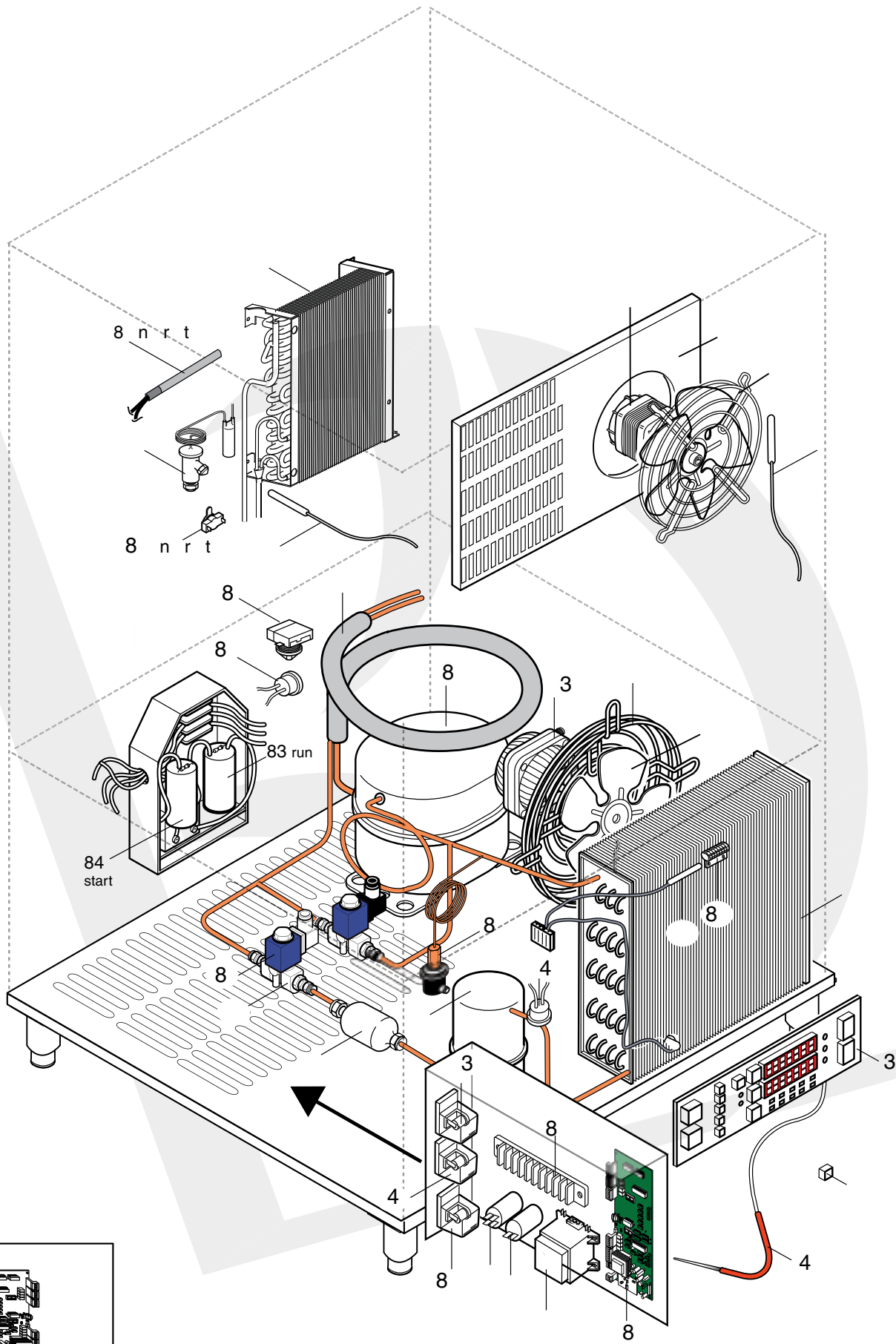
NOTE:

This spare parts catalogue is available from serial n°~03607000.. (08~09/2010)
Update the relay compressor (omrom pnc 088267) with new contactor pnc 088557
from serial n°11507003

From April 2016 the component on page 4 (pos. 24) has been updated.

Pag.	Index	Indice
2	Cabinet and door	Armadio e porta
3	Cooling unit assembly	Gruppo refrigerante
2	Control panel	Pannello comandi
4,5,6	Spare parts list	Lista ricambi





PNC	Ref.	PNC	Ref.	PNC	Ref.	PNC	Ref.	PNC	Ref.	PNC	Ref.	PNC	Ref.
110201	u	110717	e	110721	b	726620	d	726621	i	726627	a	726628	g
727131	q	727497	t	728210	f	728214	c	728637	c	728823	s	728824	r

Pos	Spare parts code	Descrizione	Description	Ref - Note
-----	------------------	-------------	-------------	------------

1	083591	Piletta	Discharge pipe	Up to 4281...
1	094255	Piletta	Discharge pipe	From 4291...
2	088089	Tappo per piletta	Plug for pipe	a,b,c,d,e,f,g,
3	083592	Controdado per piletta	Nut for discharge pipe	Up to 4281...
3	094257	Controdado per piletta	Nut for discharge pipe	From 4291...
4	083593	Portagomma per piletta	Rubber support for discharge pipe	Up to 4281...
4	094256	Portagomma per piletta	Rubber support for discharge pipe	From 4291...
5	088577	Cavo riscaldante 21.5 W	Heating element for frame 21.5 W	a,b,c,g,i,n,q
6	087757	Struttura porta teglie	Shelf rack	a,b,c,d,e,f,g,i,q
7	090008	Vite per supporto struttura	Screw for shelf rack	
8	087957	Chiusura posteriore	Back side grid	
9	088578	Micro per porta	Door switch	
10	080803	Baccinella raccogli condensa	Condensation water tray	
11	085753	Porta zan	Door zan	b,e,a,d,g,i,c,f,q
12	083377	Guarnizione porta	Door gasket	a,b,c,d,e,f,g,iq
13	083875	Boccola per porta	Bush for door	
14	083876	Cerniera porta	Door hinge	
15	085754	Cerniera superiore	Upper hinge	
16	085755	Staffa inferiore	Lower bracket	
17	0A9124	Perno per cerniera	Pin for hinge	
18	085759	Piano	Top	
19	088580	Cruscotto comandi	Control panel	
20	088581	Guarnizione cruscotto	Gasket for control panel	a,b,c,d,e,f,g,i
21	053342	Molla arresto marchio	Brand retainig plate clip	
22	091564	Mascherina comandi (elux)BCF	Control sticker (elux) BCF	a,g,q, t up to 4151..
22	094227	Mascherina comandi (elux)BCF	Control sticker (elux) BCF	a, g, q, t from 4161..
22	091565	Mascherina comandi BC (elux)	Control sticker BC (elux)	d,i up to 4151..
22	094226	Mascherina comandi BC (elux)	Control sticker BC (elux)	d, i from 4161..
24	091295	Mascherina comandi BC (zanussi)	Control sticker BC (zanussi)	e up to 4151..
24	094228	Mascherina comandi BC (zanussi)	Control sticker BC (zanussi)	e from 4161..
24	091296	Mascherina comandi BCF (zanussi)	Control sticker BCF (zanussi)	b up to 4151..
24	094229	Mascherina comandi BCF (zanussi)	Control sticker BCF (zanussi)	b,u from 4161..
25	048579	Piedino	Foot	b,c,e,f,p,a,d,g,i,q
26	091567	Mascherina comandi (alpeninox)BCF	Control sticker (alpeninox)BCF	c, r up to 4151..
26	094225	Mascherina comandi (alpeninox)BCF	Control sticker (alpeninox)BCF	c, r from 4161..
26	091568	Mascherina comandi (alpeninox)BC	Control sticker (alpeninox)with	f, s up to 4151..
26	094224	Mascherina comandi (alpeninox)BC	Control sticker (alpeninox)with	f, s from 4161..
50	088130	Carter evaporatore	Evaporator cover	
51	088100	Griglia per ventilatore cella	Protection fan cell	a,b,c,d,e,f,g,i,h,q

(#) use on compressor code 091149 only

Da Ser. Nr. 03607000../ From ser. nr.: Page:4
* component on demand updated 04/2016

Ed.1" 08-2010

Doc. Nr: **541317a**

PNC	Ref.	PNC	Ref.	PNC	Ref.	PNC	Ref.	PNC	Ref.	PNC	Ref.	PNC	Ref.
110201	u	110717	e	110721	b	726620	d	726621	i	726627	a	726628	g
727131	q	727497	t	728210	f	728214	c	728637	c	728823	s	728824	r

Pos	Spare parts code	Descrizione	Description	Ref - Note
52	088603	Ventilatore cella	Motor ventilator cell	a,b,c,d,e,f,g,i,q
52	088096	Ventilatore cella	Motor ventilator cell	i
53	092700	Scheda pulsanti new co.tors	Board user new co.tors	a,b,c,e,f,a,d,g,i,q
54	092704	Spillone conico con 1 sensore	Food probe 1 sensor new co.tors	
55	092177	Sonda cella "blu"	Cell probe	
56	092180	Sonda evaporatore "verde"	Evaporator probe	
57	02670	Prolunga pulsante	Switch extension	
58	091149	Compressore CAJ2464Z	Compressor CAJ2464Z	a,b,c
58	083728	Compressore GP 14 TB	Compressor GP 14 TB	d,e,f up to 210070..(2012)
58	093205	Compressore EMBRACO NEK6212Z	Compressor EMBRACO NEK6212Z	d,e,f from to 211070..(2012)
58	099654	Compressore	Compressor J2192GK	q up to 4441...
58	094475	Compressore EMBRACO NJ2192GJ	Compressor EMBRACO NJ2192GJ	q from 4451...
59	091217	Valvola di ricarica	Charge /Dis. valve for compressor	a,b,c
59	085505	Valvola di ricarica	Charge /Dis. valve for compressor	d,e,f
59	087830	Valvola di ricarica	Charge /Dis. valve for compressor	q
60	088099	Condensatore	Condenser	a,b,c,q
60	088592	Condensatore	Condenser	d,e,f,
61	0A9728	Griglia per ventilatore condensatore	Condenser fan protection	a,b,c,d,e,f,q
62	084780	Ventola	Fan	a,b,c,d,e,f,
62	084781	Ventola	Fan	q
63	087168	Ventilatore condensatore	Motor ventilator for condenser	a,b,c,d,e,f,q
64	088593	Termostato	Thermostat	a,b,c
65	083387	Ricevitore di liquido	Liquid tank	a,b,c,q
65	087758	Ricevitore di liquido	Liquid tank	d,e,f
66	088201	Filtro deidratore	Dehidrator filter	a,b,c,d,e,f,h,o,q
67	088030	Valvola solenoide	Solenoid valve	a,b,c,d,e,f,i,g,q
68	085847	Bobina per valvola solenoide	Coil for solenoid valve	a,b,c,d,e,f,i,g,q
69	088097	Scambiatore	Heat exchanger	d,e,f,
69	092059	Scambiatore (#)	Heat exchanger (#)	a,b,c,q
70	089929	Valvola termostatica	Thermostatic valve	a,b,c,q
70	091698	Valvola termostatica "sporlan"	Thermostatic valve "sporlan"	d,e,f,i,
71	088596	Evaporatore	Evaporator	a,b,c,g,q
71	088094	Evaporatore	Evaporator	d,e,f,i,
72	084721	Condensatore elettrico per vent.cella	Capacitor for cell ventilator 4mf	a,b,c,d,e,f,g,i,q
73	088267	Rele` RP (omrom 200-240V 25A 2cont.)	Relay RP (omrom 200-240V 25A 2cont.)	a,b,c,d,e,f,g,i,q up to ser. N°11507002

(#) use on compressor code 091149 only

PNC	Ref.	PNC	Ref.	PNC	Ref.	PNC	Ref.	PNC	Ref.	PNC	Ref.	PNC	Ref.
110201	u	110717	e	110721	b	726620	d	726621	i	726627	a	726628	g
727131	q	727497	t	728210	f	728214	c	728637	c	728823	s	728824	r

Pos	Spare parts code	Descrizione	Description	Ref - Note
73	088557	Rele` RP (teleruttore)	Relay RP (Contactor)	a,b,c,d,e,f,g,i,q from ser. N°11507003
74	083215	Rele` RS (230V 10A 3 contatti)	Relay RS (230V 10A 3 output)	a,b,c,q
74	088197	Rele` RA (230V 16A 6 contatti)	Relay RA (230V 16A 6 output)	g,i
75	056510	Rele` RG 3 contatti (24 Volt)	Relay RG (24 V three output)	
76	087662	Trasformatore	Voltage adaptor	a,b,c,d,e,f,g,i,q
76	088101	Trasformatore	Voltage adaptor	l
77	084987	Filtro elettrico	Electric filter	a,b,c,d,e,f,g,i,q
78	092214	Scheda principale rel.1,63	Main board V.1,63	a,b,q,c,d,g,i,e,f (to be setted)
79	088345	Sonda ambiente condensatore	Probe for condenser/room	
80	088602	Gabbietta per sonda	Protection probe	
81	085617	Protettore per compres, (J2212 GK)	Electric protection for compressor	a,b,c,q
81	091355	Protettore per compres. (CAJ2464Z)	Electric protection for compressor	a,b,c,
81	083165	Protettore per compres. (GP 14 TB)	Electric protection for compressor	e,f,d
82	084280	Rele` compressore (J2212 GK)	Compressor relay	a,b,c
82	091353	Rele` compressore (CAJ2464Z)	Compressor relay	a,b,c
82	081873	Rele` compressore (GP 14 TB)	Compressor relay	d,e,f,
83	083449	Condensatore di spunto (J2212 GK)	Start capacitor	a,b,c
83	091354	Condensatore di spunto (CAJ2464Z)	Start capacitor	a,b,c,
83	083166	Condensatore di spunto (GP 14 TB)	Start capacitor	d,e,f,
84	087201	Condensatore di marcia (J2212 GK)	Run capacitor	a,b,c,
84	091353	Condensatore di marcia (CAJ2464Z)	Run capacitor	a,b,c,
85	082171	Morsettiera	Clamp	
86	0A9671	Termostato di sicurezza evaporatore	Safety thermostat evaporator	g
87	089653	Resistenza di sbrin.evaporatore	Heating element for evaporator	g
91	088570	Scheda Haccp	Haccp board	

(#) use on compressor code 091149 only