

TAVOLI REMOTI & CONGELATORI CONCEPT LINE 2-3-4 Vani
REMOTE & FREEZER CONCEPT LINE COUNTERS 2-3-4 Compartements

CONCEPT LINE COUNTERS without TOP

Code	Avv	Model and Type	Ref.	Brand	Page
728552	07/07	TAV.REFRIGERATO. 2V 1P+ 2X1/2 - REM	e	To brand	2,3,4,5
728554	07/07	TAV.REFRIGERATO.2V 1P+ 3X1/3 - REM	f	To brand	2,3,4,5
728556	07/07	TAV.REFRIGERATO.2V 4 X1/2 - REM	g	To brand	2,3,4,5
728558	07/07	TAV.REFRIGERATO.3V 2P+ 2X1/2 - REM	i	To brand	2,3,4,5
728560	07/07	TAV.REFRIGERATO..3V 1P+ 4X1/2 - REM	l	To brand	2,3,4,5
728562	07/07	TAV.REFRIGERATO..3V 6X1/2 - REM	m	To brand	2,3,4,5
728564	07/07	TAV.REFRIGERATO..4V 3P+ 2X1/2 - REM	o	To brand	2,3,4,5
728566	07/07	TAV.REFRIGERATO..4V 2P+ 4X1/2 - REM	p	To brand	2,3,4,5
728568	07/07	TAV.REFRIGERATO.4V 8 X1/2 - REM	q	To brand	2,3,4,5
728570	12/12	TAV.FREEZER.2V 1P + 2X1/2	r	To brand	2,3,6,7
728573	12/12	TAV.FREEZER. 3V 2P + 2X1/2	s	To brand	2,3,6,7
728569	11/11	TAV.FREEZER.2V 2P	t	To brand	2,3,6,7
728571	12/12	TAV.FREEZER.3V 3P	u	To brand	2,3,6,7

Note:

from 09 2014 the components on page 3 (pos.28) have been updated

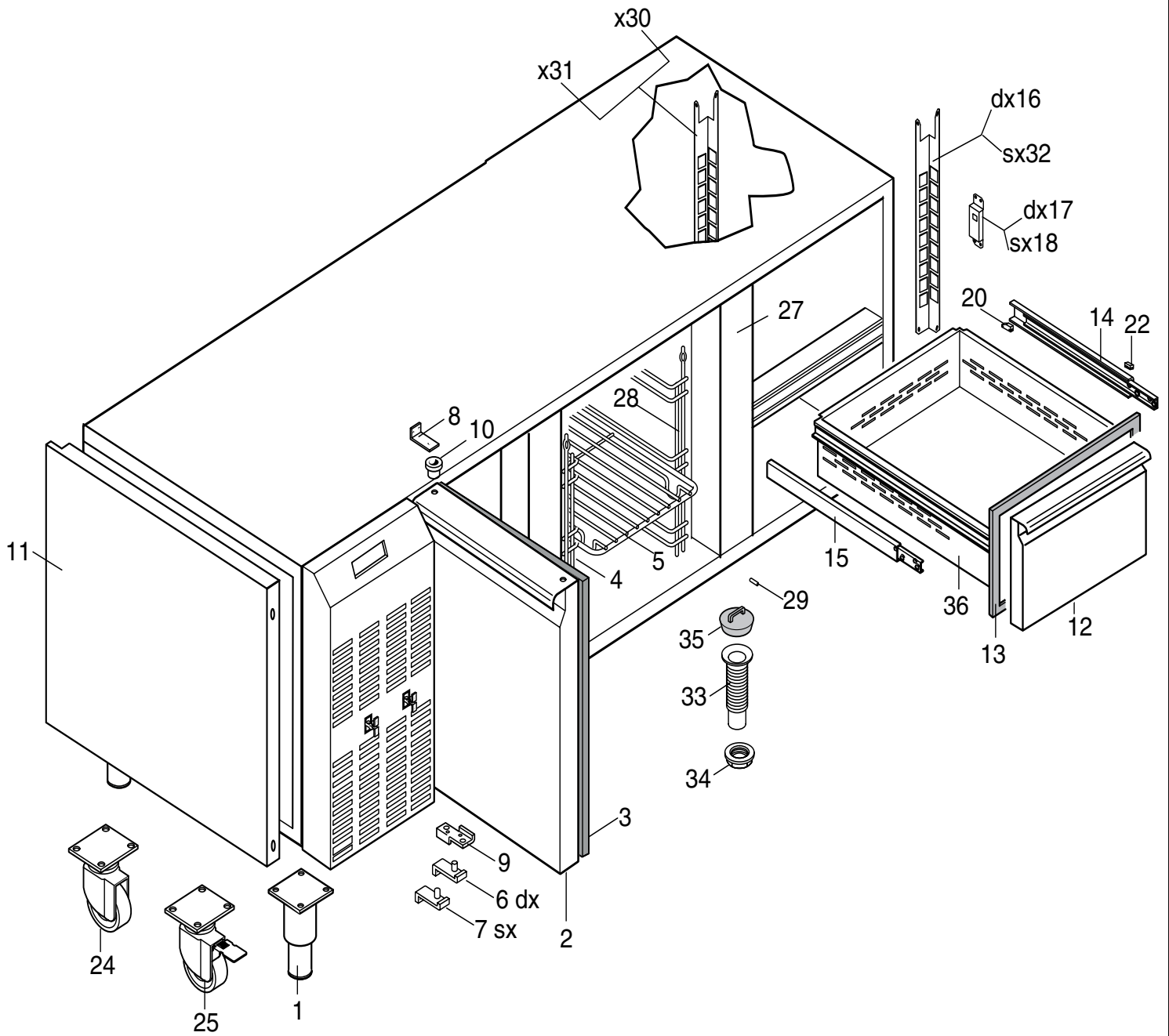
Pag./Page Indice

2	Esploso tavolo
3	Lista ricambi
4	Esploso gruppo remoto
5	Lista ricambi
6	Esploso gruppo freezer
7	Lista ricambi

Index

Counter exploded view
Spare parts list
Remote cooling unit exploded view
Spare parts list
freezer cooling unit exploded view
Spare parts list

Marchio / Brand: To brand
Paese / Country: Tutti / All



Concept line counters

PNC REF	PNC REF	PNC REF	PNC REF	PNC REF	PNC REF	PNC REF	PNC REF	PNC REF	PNC REF	PNC	REF	PNC
728552 e	728560 l	728568 q	728573 s									
728554 f	728562 m	728569 t										
728556 g	728564 o	728570 r										
728558 i	728566 p	728571 u										

Pos	Code	Descrizione	Description	Ref. / Notes
		RIFERIMENTO PAG 2	REFERENCE PAGE 2	
1	091610	Piedino	Foot	
2	099547	Porta	Door	e,f,i,l,o,p,r,s,t,u
3	099531	Guarnizione porta	Door gasket	e,f,i,l,o,p,r,s,t,u
4	099532	Struttura per griglia (sx)	Support for shelf (left)	e,f,i,l,o,p,r,s,u
5	083615	Griglia	Shelf	e,f,i,l,o,p,r,s,t,u
6	092794	Cerniera inferiore porta dx	Lower door hinge (right)	i,o,p,r,s,t,u
7	092792	Cerniera inferiore porta sx	Lower hinge door (left)	e,f,i,l,o,p,t,u
8	092793	Cerniera superiore porta	Upper hinge for door	e,f,i,l,o,p,r,s,t,u
9	089146	Fermo porta inferiore	Lower door stoppers	e,f,i,l,o,p,r,s,t,u
10	081807	Boccola per cerniera superiore	Bush for upper hinge	e,f,i,l,o,p,r,s,t,u
11	089965	Pannello laterale gruppo	Side cover for cooling	
12	099536	Frontale Cassetto 1/2	Front Drawer 1/2	e,g,i,l,m,o,p,q,r,s
12	099537	Frontale Cassetto 1/3	Front Drawer 1/3	f
13	099538	Guarnizione cassetto 1/2	Drawer gasket 1/2	e,g,i,l,m,o,p,q,r,s
13	099539	Guarnizione cassetto 1/3	Drawer gasket 1/3	f
14	089149	Guida dx per cassetto 1/2-2\3	Right runner for drawer 1/2-2\3	e,g,i,l,m,o,p,q,r,s
14	0A9366	Guida dx per cassetto 1/3	Right runner for drawer 1/3	f
15	089150	Guida sx per cassetto 1/2-2\3	Left runner for drawer 1/2-2\3	e,g,i,l,m,o,p,q,r,s
15	0A9367	Guida sx per cassetto 1/3	Left runner for drawer 1/3	f
16	099540	Supporto dx anteriore 1/3	Right front support 1/3	f
17	089152	Supporto dx ant. per guide cass. 1/2	Right support for drawer runner	e,g,i,l,m,o,p,q,r,s
18	089153	Supporto sx per guide cass. 1/2	Left support for drawer runner	e,g,i,l,m,o,p,q,r,s
20	089157	Arresto posteriore per guide cass.	Rear stopping for runners drawer	f
22	089159	Arresto anteriore per guide cass.	Front stopping for runners drawer	f
24	087111	Ruota	Wheel	
25	087110	Ruota con freno	Wheel with brake	
27	099424	Assieme montante plastica	Central support in plastic	e,f,g,i,l,m,o,p,q
27	099882	Assieme montante (schiumato)	Central support (with fomed)	r,s,t,u
28	099541	Struttura per griglia (dx)	Support for shelf (right)	e,f,i,l,o,p,r,s,t,u
28	094349	Struttura per griglia (dx)	Support for shelf (right)	e,f,i,l,o,p,r,s,t,u
29	082757	Perno (per struttura per griglia)	Pin (install in the back support grid)	e,f,i,l,o,p,r,s,u
30	099542	Supporto posteriore dx per 1/3	Right back support for 1/3	f
30	089151	Cremagliera posteriore per 1/2	Back rack for drawer runner for 1/2	e,g,i,l,m,o,p,q,r,s
31	099543	Supporto posteriore sx per 1/3	Left back support for 1/3	f
31	089151	Cremagliera posteriore per 1/2	Back rack for drawer runner for 1/2	e,g,i,l,m,o,p,q,r,s
32	099544	Supporto anteriore per 1/3 sx	Left front support for 1/3	f
33	081823	Piletta	Pipe	
34	081797	Controdado	Nut	
35	085535	Tappo	Plug	
36	091363	Involucro cassetto 1/2	Drawer bin 1/2	e,g,i,l,m,p,q,r,s
36	091875	Involucro cassetto 1/3	Drawer bin 1/3	f

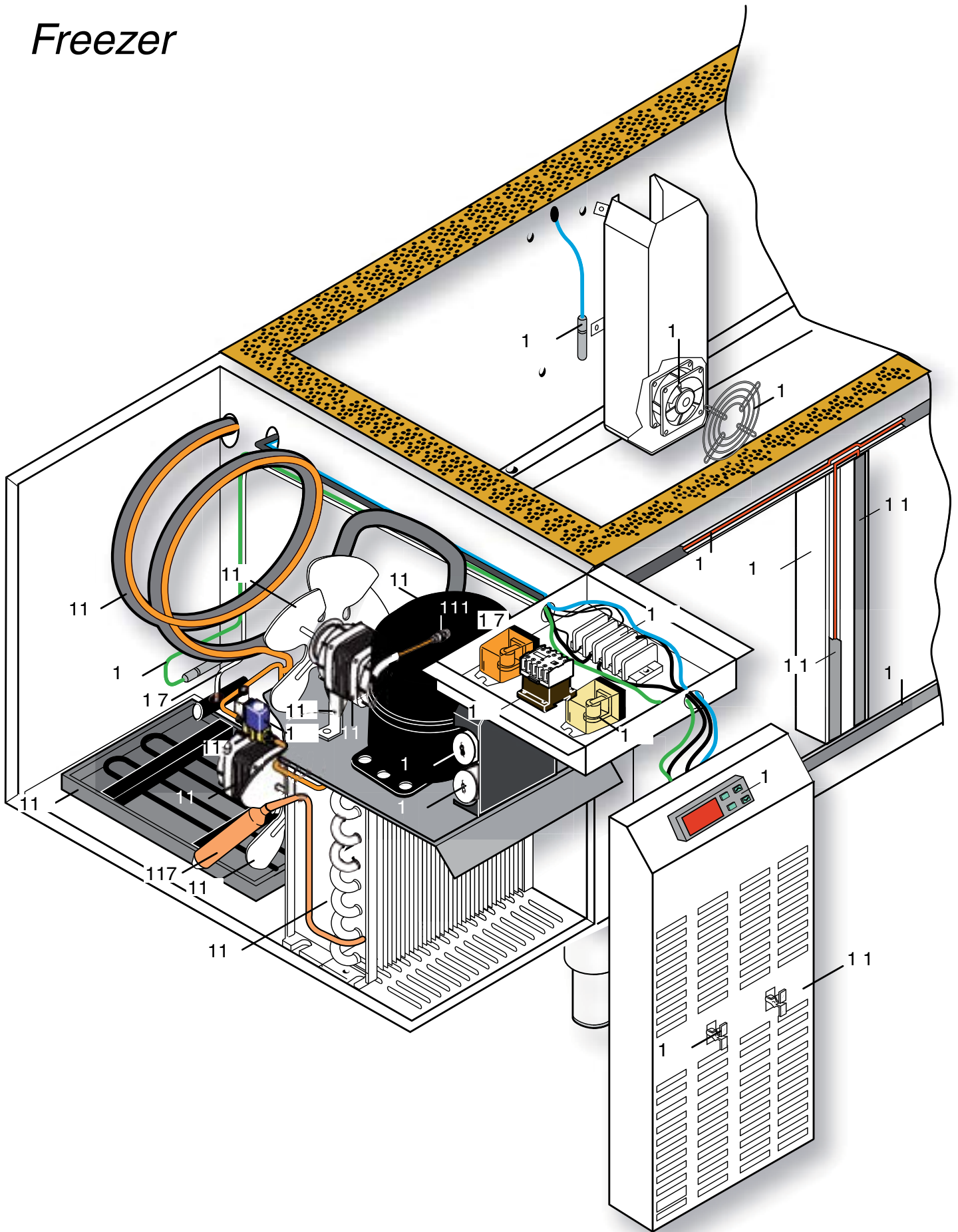
up to 4241...
from 4251...

Concept line counters

PNC REF	PNC REF	PNC REF	PNC REF	PNC REF	PNC REF	PNC REF	PNC REF	PNC REF	PNC REF	PNC REF
728552 e	728560 l	728568 q	728573 s							
728554 f	728562 m	728569 t								
728556 g	728564 o	728570 r								
728558 i	728566 p	728571 u								

Pos	Code	Descrizione	Description	Ref. / Notes
		PAG 4 (REMOTE)	PAGE 4 (REMOTE)	
80	089166	Ventilatore cella con ventola	Motor-ventilator with fan for cell	(with cable 2150mm) all (in the left side)
80	089168	Ventilatore cella con ventola	Motor-ventilator with fan for cell	(with cable 3050mm) for 3-4 compartement (in the right side)
81	089169	Convogliatore per ventilatore cella	Conveyor for cell motor-ventilator	
82	089182	Supporto ventilatore cella	Support cell motor-ventilator	
83	0A8719	Gommino per ventilatore	Rubber for motor-ventilator	
85	091609	Termoregolatore IR33	Thermoregulator IR33	(set parameters)
86	053342	Molla per arresto marchio	Brand plate retaining spring	
87	091675	Cruscotto comandi	Control panel	
89	092179	Sonda evaporatore (green) S2	Evaporator/defrost probe (green) S2	
90	089179	Resistenze di sbinamento evaporat.	Defrost heating element	for 2 compartement- 2 vani
90	089180	Resistenze di sbinamento evaporat.	Defrost heating element	for 3 compartement- 3 vani
90	089181	Resistenze di sbinamento evaporat.	Defrost heating element	for 4 compartement - 4 vani
91	088501	Valvola termostatica 68u2076 404	Thermostatic valve 68u2076 404	
92	*	Bacinella raccolta condensa	Tray condenser	Art. kit 9f 880028
93	083814	Resistenza per evapor. conden.	Heating element for tray condenser	
94	089209	Piletta di scarico per bacinella	Discharge pipe for tray condenser	
96	092175	Sonda cella (blue) S1	Cell probe (blue) S1	
*	089614	Isolante per valvola termostica	Insulation for thermostatic valve	
*	091612	Adesivo temperatura	Temperature stiker	
107	099887	Cavo riscaldante per piletta	Heating cable for discharge pipe	e,f,g,i,l,m,o,p,q

Freezer



Concept line counters

PNC REF	PNC REF	PNC REF	PNC REF	PNC REF	PNC REF	PNC REF	PNC REF	PNC REF	PNC REF	PNC REF
728552 e	728560 l	728568 q	728573 s							
728554 f	728562 m	728569 t								
728556 g	728564 o	728570 r								
728558 i	728566 p	728571 u								

Pos	Code	Descrizione	Description	Ref. / Notes
		RIFERIMENTO PAG 6	REFERENCE PAGE 6	
100	092107	Assieme montante schiumato	Central support	r,s,t,u
101	092156	Riscontro per montante	Frame for support without drawer	
102	099857	Riscontro verticale	Vertical frame	e,f,g,i,l,m,o,p,q,r,s,t,u up to 041070..(2010)
102	091827	Riscontro verticale	Vertical frame	e,f,g,i,l,m,o,p,q,r,s,t,u from to 042070..(2010)
103	091876	Riscontro orizzontale	Orizzontal frame	e,f,g,i,l,m,o,p,q up to 041070..(2010)
103	091825	Riscontro orizzontale	Orizzontal frame	e,f,g from to 042070..(2010)
103	091877	Riscontro orizzontale	Orizzontal frame	i,l,m up to 041070..(2010)
103	91826	Riscontro orizzontale	Orizzontal frame	i,l,m from to 042070..(2010)
103	099858	Riscontro orizzontale	Orizzontal frame	o,p,q up to 041070..(2010)
103	092867	Riscontro orizzontale	Orizzontal frame	o,p,q from to 042070..(2010)
103	099884	Riscontro orizzontale	Orizzontal frame	r,t
103	099885	Riscontro orizzontale	Orizzontal frame	s,u
104	088012	Ventilatore cella	Cell matorfan	
105	087995	Griglia metallica per ventilatore	Fan grid	
106	091133	Cavo riscaldante	Heating cable for frame	t
106	091134	Cavo riscaldante	Heating cable for frame	u
106	091135	Cavo riscaldante	Heating cable for frame	r
107	099887	Cavo riscaldante per piletta	Heating cable for discharge pipe	r,t
107	099888	Cavo riscaldante per piletta	Heating cable for discharge pipe	s,u
108	092176	Sonda cella "blue" S1	Cell probe "blue" S1	up to 845070..(2008)
108	092175	Sonda cella "blue" S1	Cell probe "blue" S1	from to 846070..(2008)
109	092179	Sonda di sbrinamento "green" S2	Defrost probe "green" S2	
110	084464	Compressore T2178GK	Compressor T2178GK	up to 249070..(2012)
110	684R088	Compressore NT2180GK	Compressor NT2180GK	from to 250100..(2012)
111	0A9459	Valvola di ricarica	Valve for gas	up to 249070..(2012)
111	085505	Valvola di ricarica	Valve for gas	from to 250100..(2012)
112	089172	Condensatore	Condenser	
113	085674	Ventilatore condensatore\compres.	Motorfan for compressor\condenser	
114	089696	Ventola condensatore\compres.	Fan for compressor\condenser	
115	082150	Staffa per ventilatore	Fanmotor support	
116	084585	Bacinella raccolta condensa	Water basin	
117	084078	Filtro deidratore	Dehidrator filter	
118	099890	Scambiatore	Heat exchanger	
119	087694	Corpo valvola	Body valve	
120	085847	Bobina per valvola	Coil	
121	091678	Cruschetto comandi	Comand panel	
124	091642	Termoregolatore IR33 carel	Thermoregulator IR33 carel	Parameter map in web site
125	053342	Molla per marchio	Brand retaining spring	
126	087067	Morsettiera	Clamp	
128	083215	Rele' 60.62.8.230 Finder	Relay' 60.62.8.230 Finder	
129	084323	Condensatore di marcia	Run capacitor	(for comp.T2178GK) up to 249070..(2012)
130	083499	Condensatore di spunto	Start capacitor	(for comp.T2178GK) up to 249070..(2012)
131	092156	Riscontro montante vert. per cass.	Frame support with drawers	
132	088557	Teleruttore	Electromagnetic swith	
*	091611	Adesivo temperatura	Temperature stiker	