

SPARE PARTS LIST

SCE 30 L

Art. 413301010610

Eiswürfelbereiter

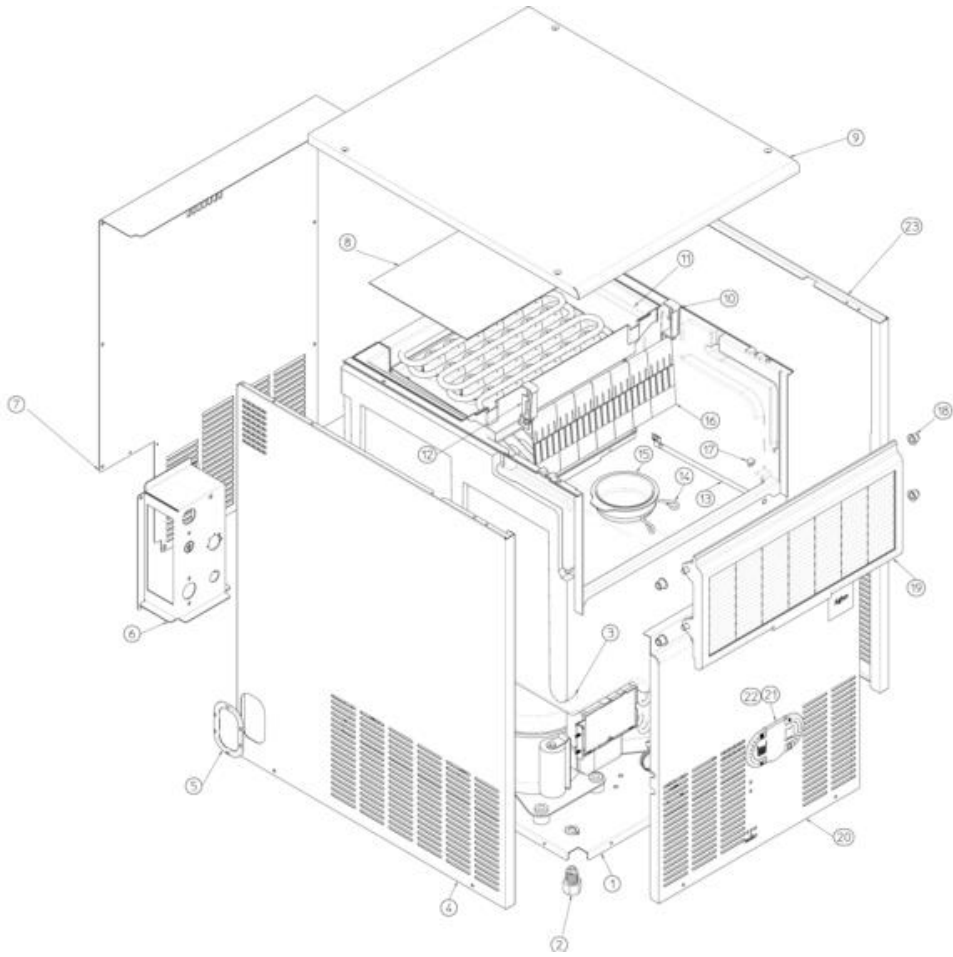
(R-134a)

REV. 07/2019

230V/50Hz/1Ph

230V/60Hz/1Ph

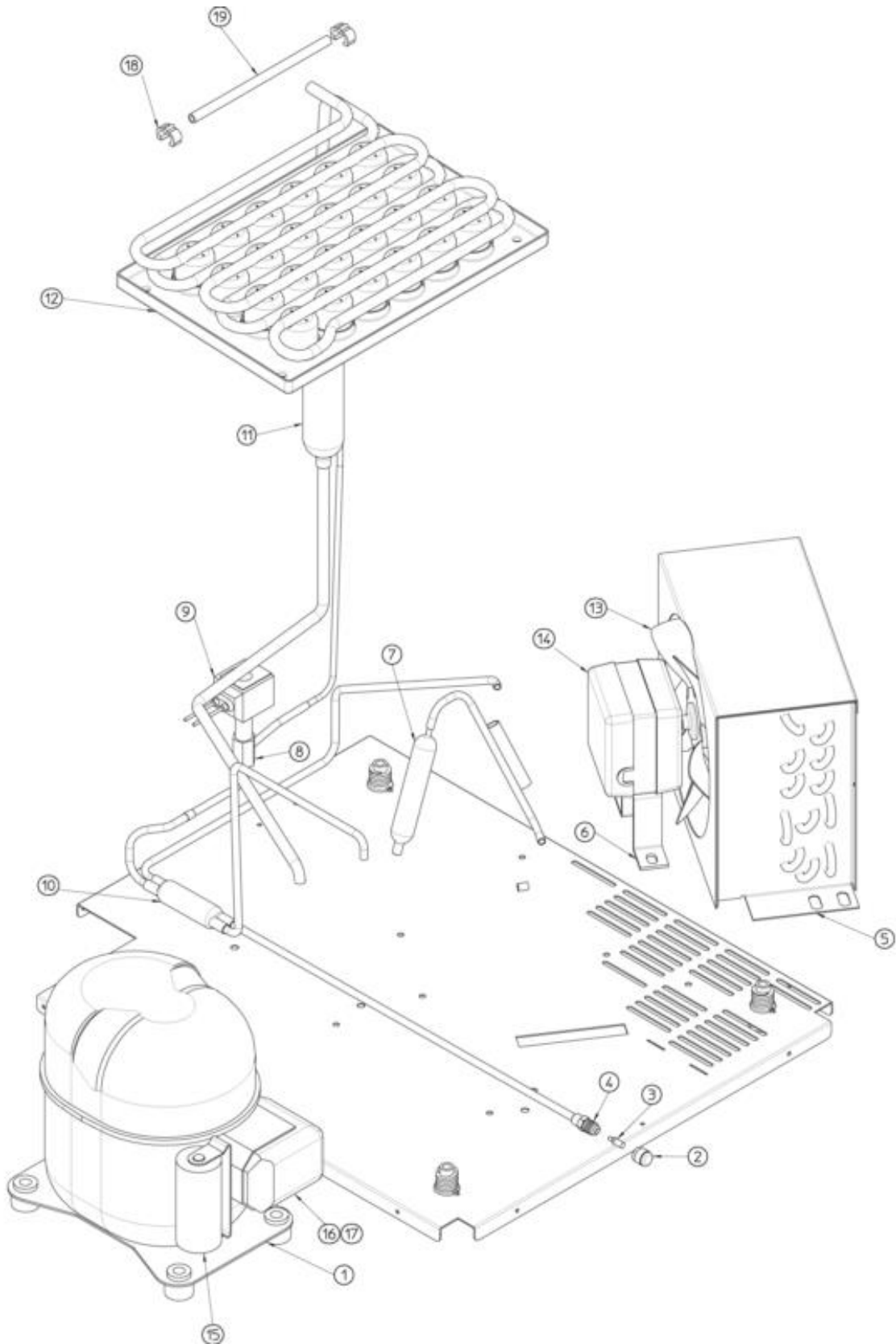
UNIT PANELS



UNIT PANELS

Pos	Code	Description
0002	SC650382 01	LEG
0003	SC782119 00R	STORAGE BIN ASSY
0004	SC722573 00	LEFT SIDE PANEL
0005	SC661070 00	PLASTIC PLUG/COVER
0006	SC702705 00	WATER HOOK UP PANEL
0007	SC702674 00	REAR PANEL
0008	SC742033 04	EVAPORATOR COVER
0009	SC781536 04R	TOP PANEL ASSY
0010	SC660388 01	CURTAIN BRACKET (LEFT)
0011	SC660750 07	EVAPORATOR HOUSING
0012	SC660388 00	CURTAIN BRACKET (RIGHT)
0013	SC732017 00	BULB HOLDER
0014	SC460047 00	SPRING
0015	SC660741 00	PLASTIC PLUG
0016	SC784457 06R	CURTAIN
0017	SC660816 00	SHOCK ABSORBER
0018	SC660286 00	BUSHING
0019	SC661220 08	BIN DOOR ASSY
0020	SC722574 00	FRONT PANEL
0021	SC661092 00	PLASTIC HOUSING
0022	SC661092 02	PLASTIC COVER
0023	SC722572 00	RIGHT SIDE PANEL

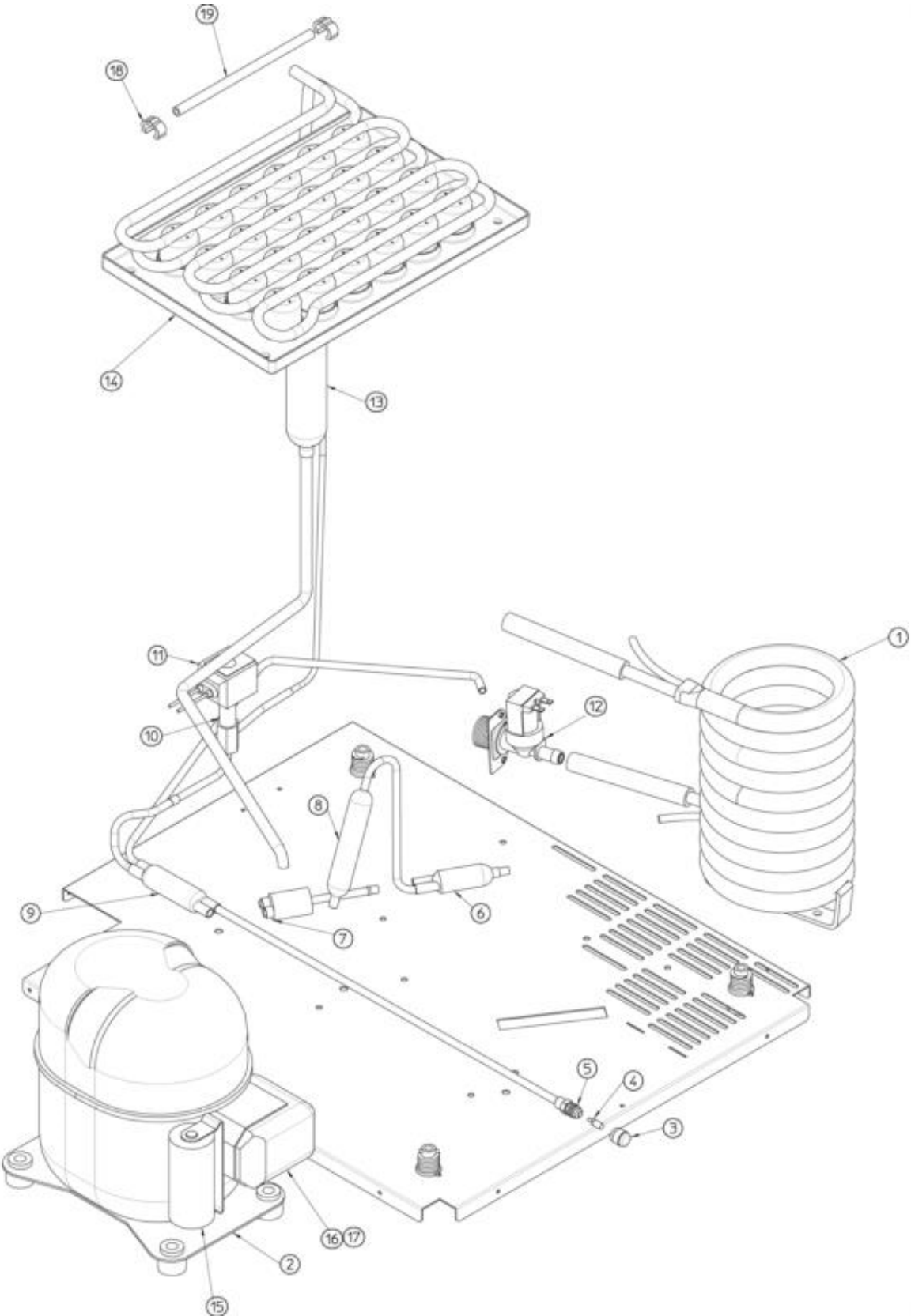
REFRIGERANT SYSTEM – AIR COOLED –



REFRIGERANT SYSTEM – AIR COOLED –

Pos	Code	Description
0001	SC670100 00	COMPRESSOR - 230/50/1
0002	SC650106 00	CAP
0003	SC670012 00	VALVE CORE
0004	SC650109 00	VALVE BODY
0005	SC620544 00	CONDENSER A.C.
0006	SC620419 61	FAN MOTOR BRACKET
0007	SC630003 05	DRIER
0008	SC620306 27	HOT GAS VALVE BODY
0009	SC620306 48	COIL - 230/50-60
0010	SC630137 00	MECHANICAL FILTER
0011	SC784444 23	SUCTION LINE ASSY
0011	SC784444 37	SUCTION LINE ASSY
0012	SC784615 01	EVAPORATOR ASSY
0013	SC620419 39	BLADE
0014	SC620419 02	FAN MOTOR - 230/50-60
0015	SCCUB 102661	START CAPACITOR - 230/50
0016	SCCUB 405175	RELAY - 230/50/1
0017	SCCUB 102314	PROTECTOR 230/50
0018	SC660386 00	PLASTIC CLIP
0019	SC741114 01R	BULB HOLDER

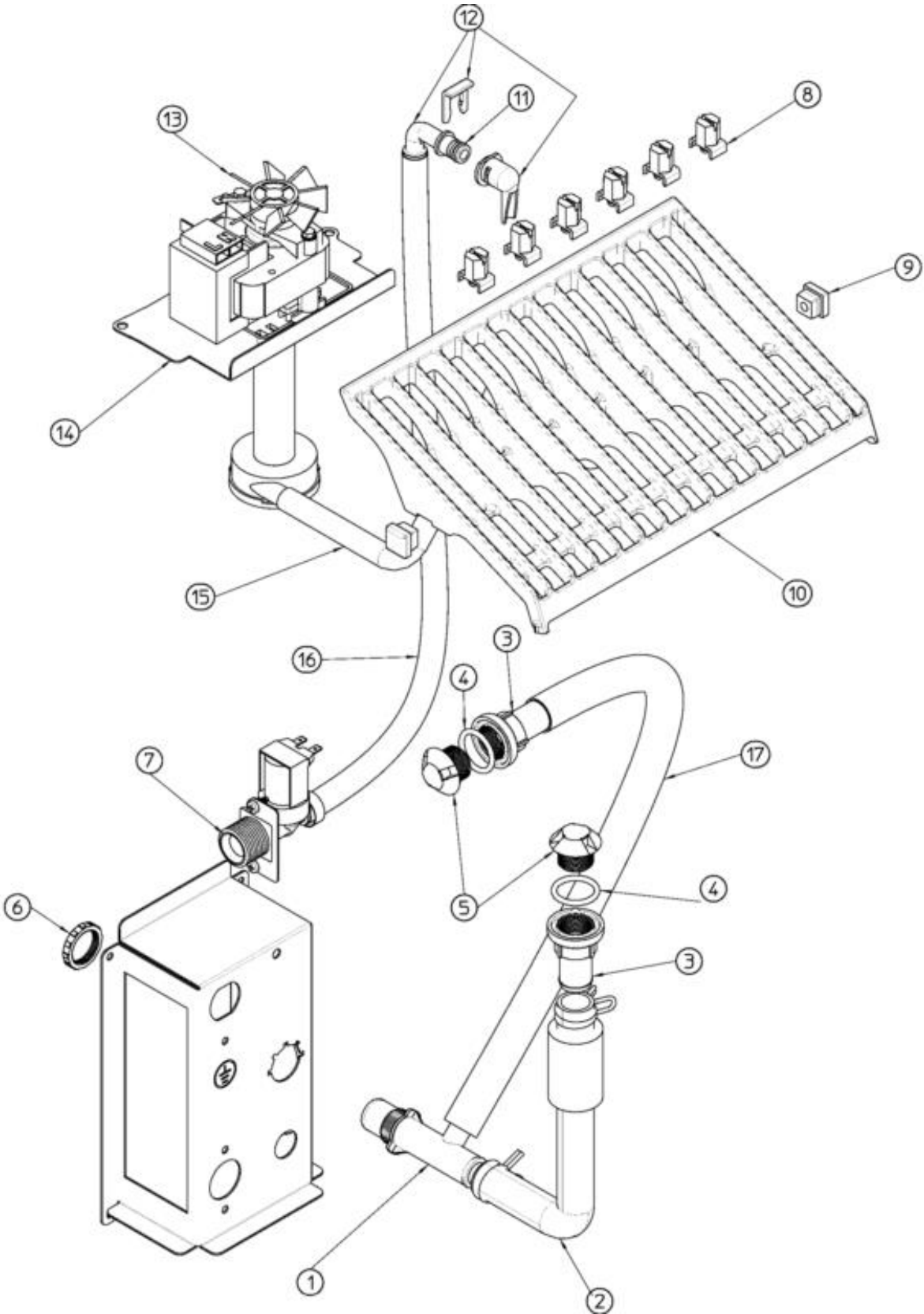
REFRIGERANT SYSTEM – WATER COOLED –



REFRIGERANT SYSTEM – WATER COOLED –

Pos	Code	Description
0001	SC620389 00	CONDENSER
0002	SC670100 00	COMPRESSOR - 230/50/1
0003	SC650106 00	CAP
0004	SC670012 00	VALVE CORE
0005	SC650109 00	VALVE BODY
0006	SC630020 01	STRAINER
0007	SC620499 03	PRESSOSTAT
0008	SC630003 05	DRIER
0009	SC630137 00	MECHANICAL FILTER
0010	SC620306 27	HOT GAS VALVE BODY
0011	SC620306 48	COIL - 230/50-60
0012	SC650105 65	WATER INLET VALVE ASSY - AIR COOLED
0013	SC784444 23	SUCTION LINE ASSY
0013	SC784444 37	SUCTION LINE ASSY
0014	SC784615 01	EVAPORATOR ASSY
0015	SCCUB 102661	START CAPACITOR - 230/50
0016	SCCUB 405175	RELAY - 230/50/1
0017	SCCUB 102314	PROTECTOR 230/50
0018	SC660386 00	PLASTIC CLIP
0019	SC741114 01R	BULB HOLDER

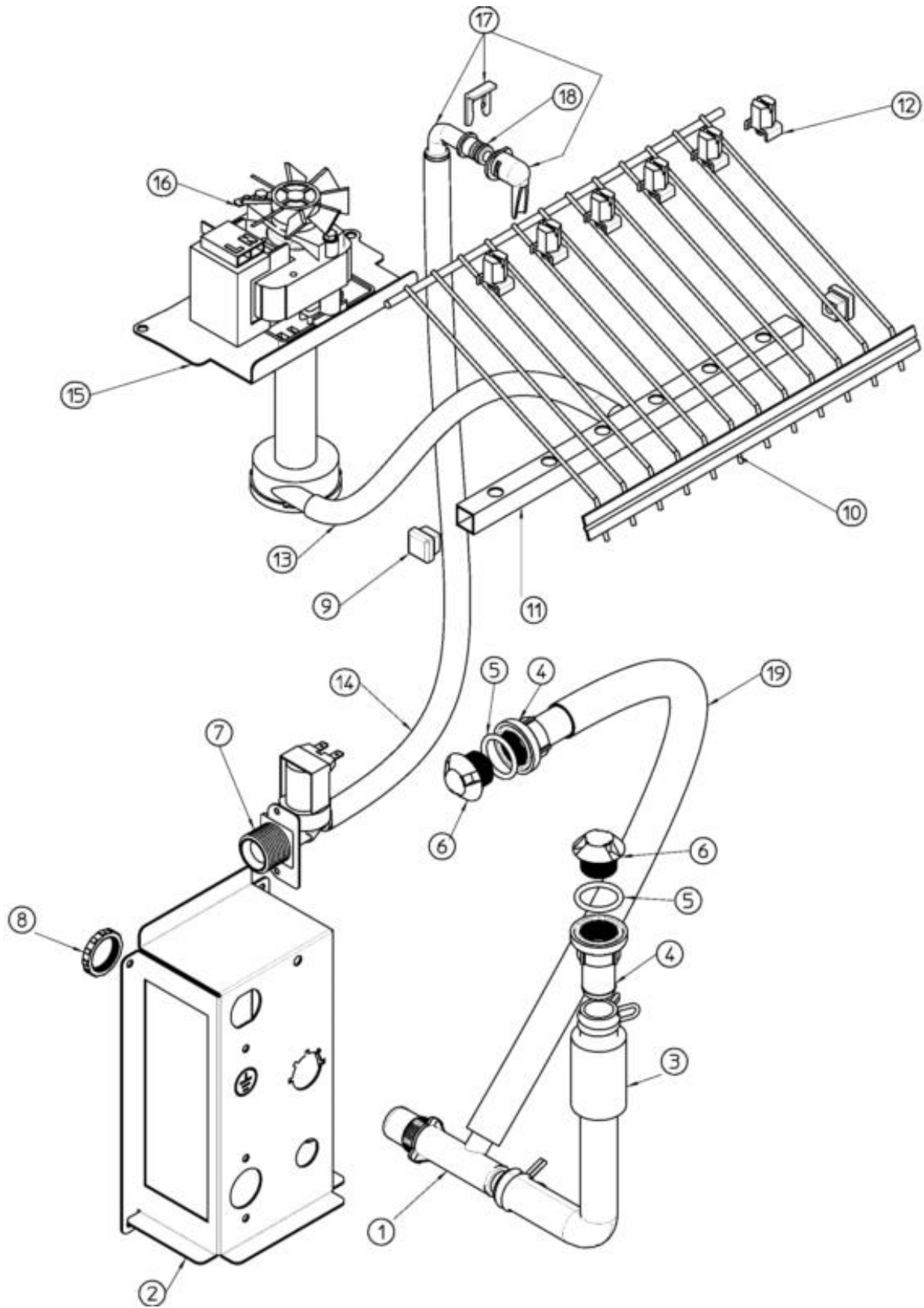
WATER SYSTEM



WATER SYSTEM

Pos	Code	Description
0001	SC660224 00	TEE TUBE
0001	SC660993 00	FITTING
0002	SC610148 10	TUBE
0003	SC660219 02	BIN DRAIN
0004	SC640134 00	O RING 4093
0005	SC660211 01	DRAIN FILTER
0006	SC660535 00	PLASTIC NUT
0007	SC650105 65	WATER INLET VALVE ASSY - AIR COOLED
0008	SC660558 00R	SPRAY NOZZLE (10 PCS)
0009	SC660557 00	SPRAY CUP
0010	SC661082 00	SPRAY BAR AND CHUTE
0011	SC640041 31	O RING
0012	SC793172 00R	WATER INLET ELBOW ASSY
0013	SC620423 00	WATER PUMP - 230/50/1
0014	SC724485 00	METAL BRACKET
0015	SC610204 01	TUBE
0016	SC281900 01	TUBE 16X10
0017	SC610204 00	TUBE

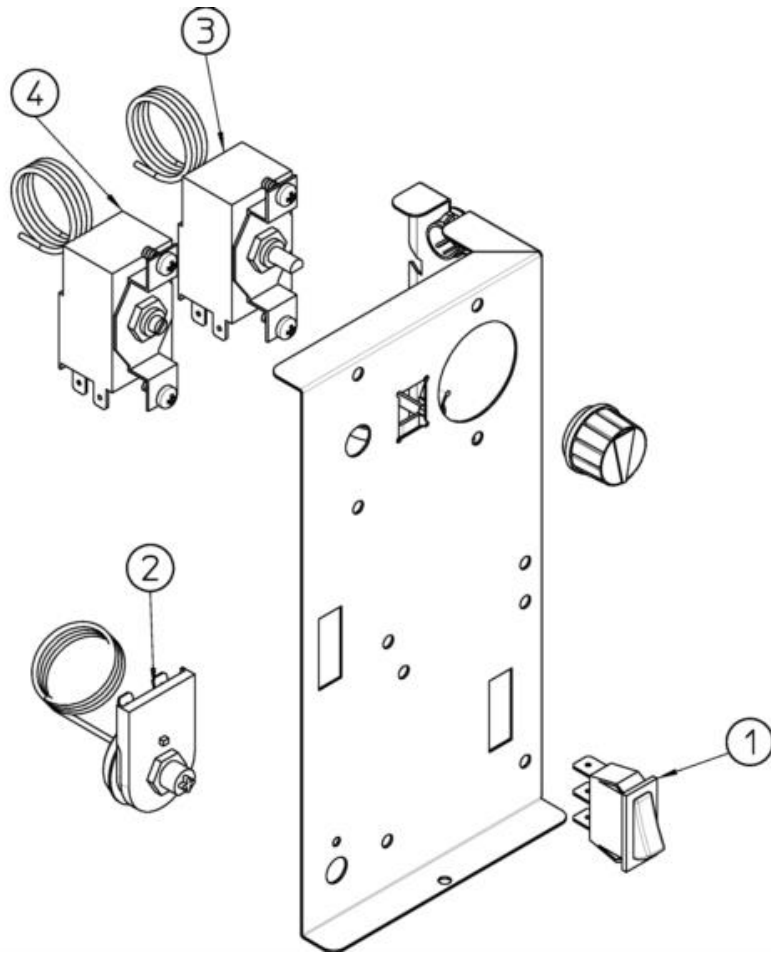
WATER SYSTEM – LARGE CUBES



WATER SYSTEM – LARGE CUBES

Pos	Code	Description
0001	SC660224 00	TEE TUBE
0001	SC660993 00	FITTING
0002	SC702705 00	WATER HOOK UP PANEL
0003	SC610148 10	TUBE
0004	SC660219 02	BIN DRAIN
0005	SC640134 00	O RING 4093
0006	SC660211 01	DRAIN FILTER
0007	SC650105 65	WATER INLET VALVE ASSY - AIR COOLED
0008	SC660535 00	PLASTIC NUT
0009	SC660557 00	SPRAY CUP
0012	SC660558 00R	SPRAY NOZZLE (10 PCS)
0013	SC610204 01	TUBE
0014	SC281900 01	TUBE 16X10
0015	SC724485 00	METAL BRACKET
0016	SC620423 00	WATER PUMP - 230/50/1
0017	SC793172 00R	WATER INLET ELBOW ASSY
0018	SC640041 31	O RING
0019	SC610204 00	TUBE

CONTROL BOX



CONTROL BOX

Pos	Code	Description
0001	SC620442 01	SWITCH
0002	SC620443 02	THERMOSTAT
0003	SC620264 06	KNOB
0003	SC620264 16	EVAP. THERMOSTAT
0004	SC630005 00	BIN THERMOSTAT