

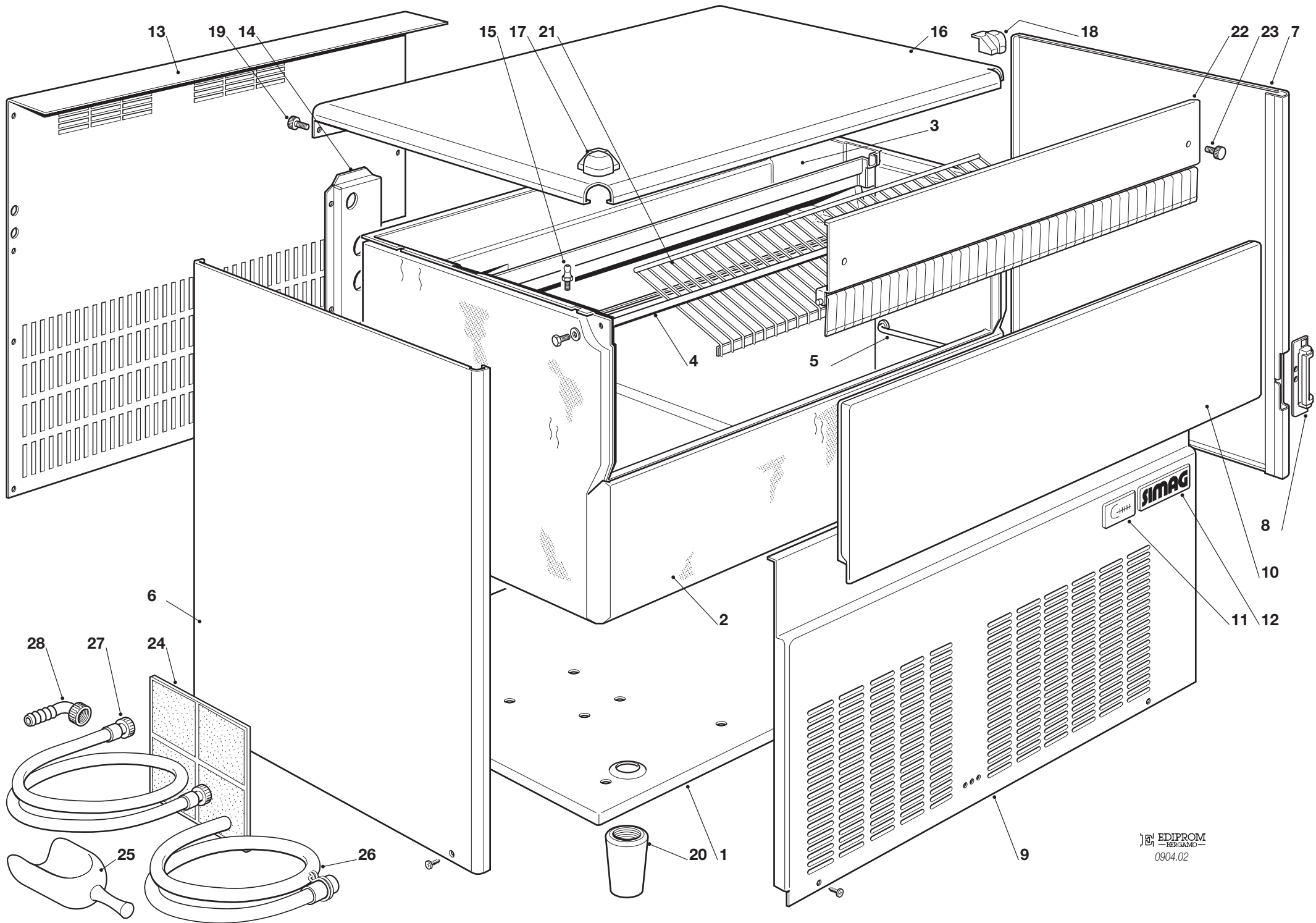
SCN 125

SCN 215

R 404 A VERSION

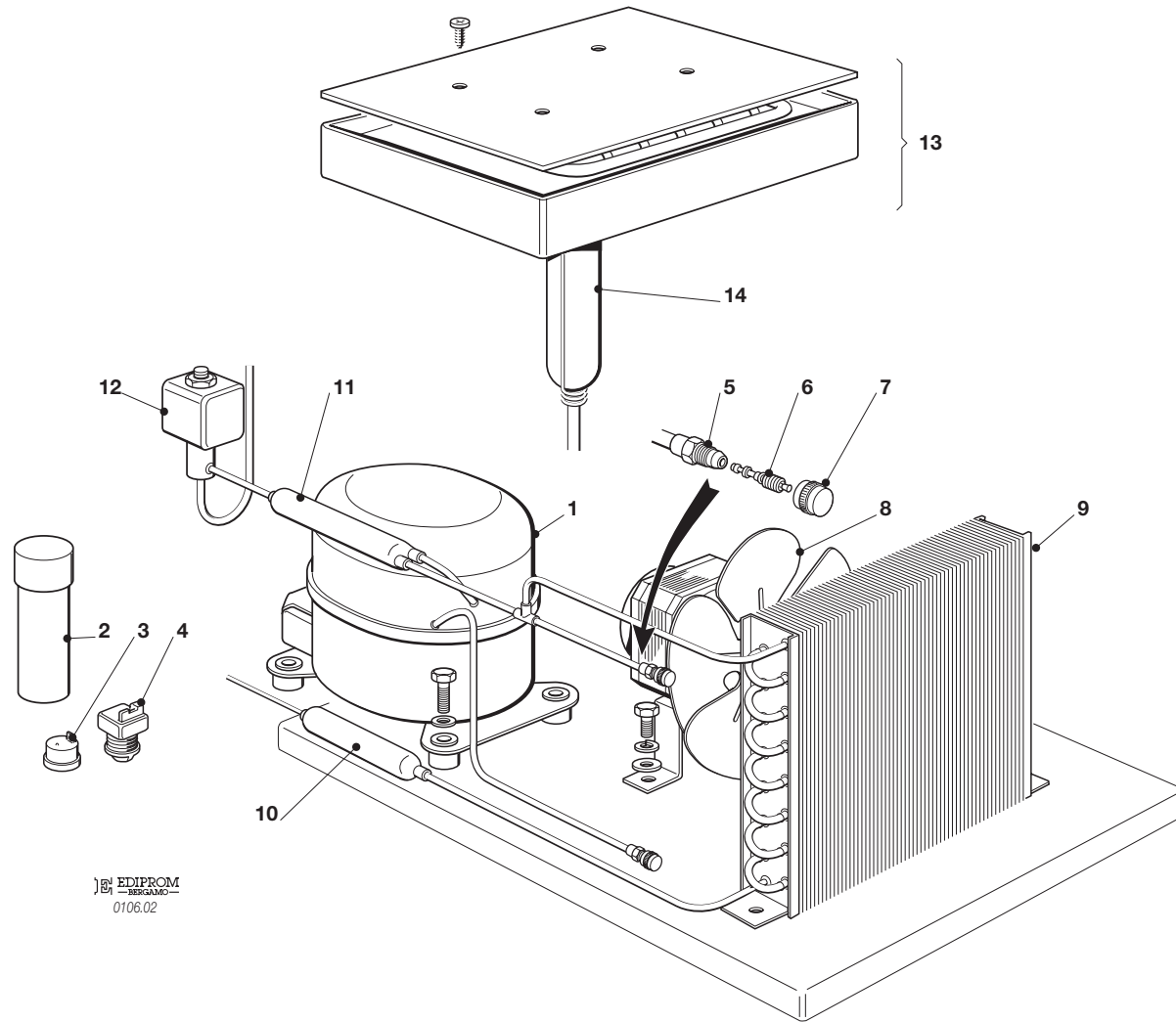
SPARE PARTS LIST
CATALOGO RICAMBI
CATALOGUE PIÈCES DÉTACHÉES
ERSATZTEILENKATALOG

| PAGE PAGINA PAGE SEITE | TABLE OF CONTENTS | INDICE | TABLE DES MATIERES | INHALTVERZEICHNIS |
|---------------------------------|---|---|--|--|
| 1 | TABLE OF CONTENTS | INDICE | TABLE DES MATIERES | INHALTVERZEICHNIS |
| 2/3 | UNIT PANELS | ASSIEME MOBILE | ENS. CAROSSERIE | MACHINE GEHAUSE |
| 4/5 | REFRIGERANT SYSTEM AIR COOLED | SISTEMA REFRIGERANTE RAFFR. AD ARIA | CIRCUIT FRIGORIFIQUE REFROID. A AIR | GEFRIERSYSTEM LUFTGEKUEHLT |
| 6/7 | REFRIGERANT SYSTEM WATER COOLED | SISTEMA REFRIGERANTE RAFFR. AD ACQUA | CIRCUIT FRIGORIFIQUE REFROID. A EAU | GEFRIERSYSTEM WASSERGEKUEHLT |
| 8/9 | WATER SYSTEM | CIRCUITO IDRAULICO | CIRCUIT HYDRAULIQUE | WASSER SYSTEM |
| 10/11 | CONTROL BOX | SCATOLA DI CONTROLLO | BOITE ELECTRIQUE | SCHALTSCHRANK |
| 12 | COMPRESSOR AND ELECTRIC COMPONENT CHARTS | TABELLA COMPRESSORI E COMPONENTI ELETTRICI | LISTE DES COMPRESSEURS ET COMPOSANTS ELECTRIQUE | KOMPRESSOR UND ELEKTRISCHER TEILLISTE |



SCN 125-215 - UNIT PANELS - ASSIEME MOBILE - ENS. CARROSSERIE - MACHINE GEHAUSE

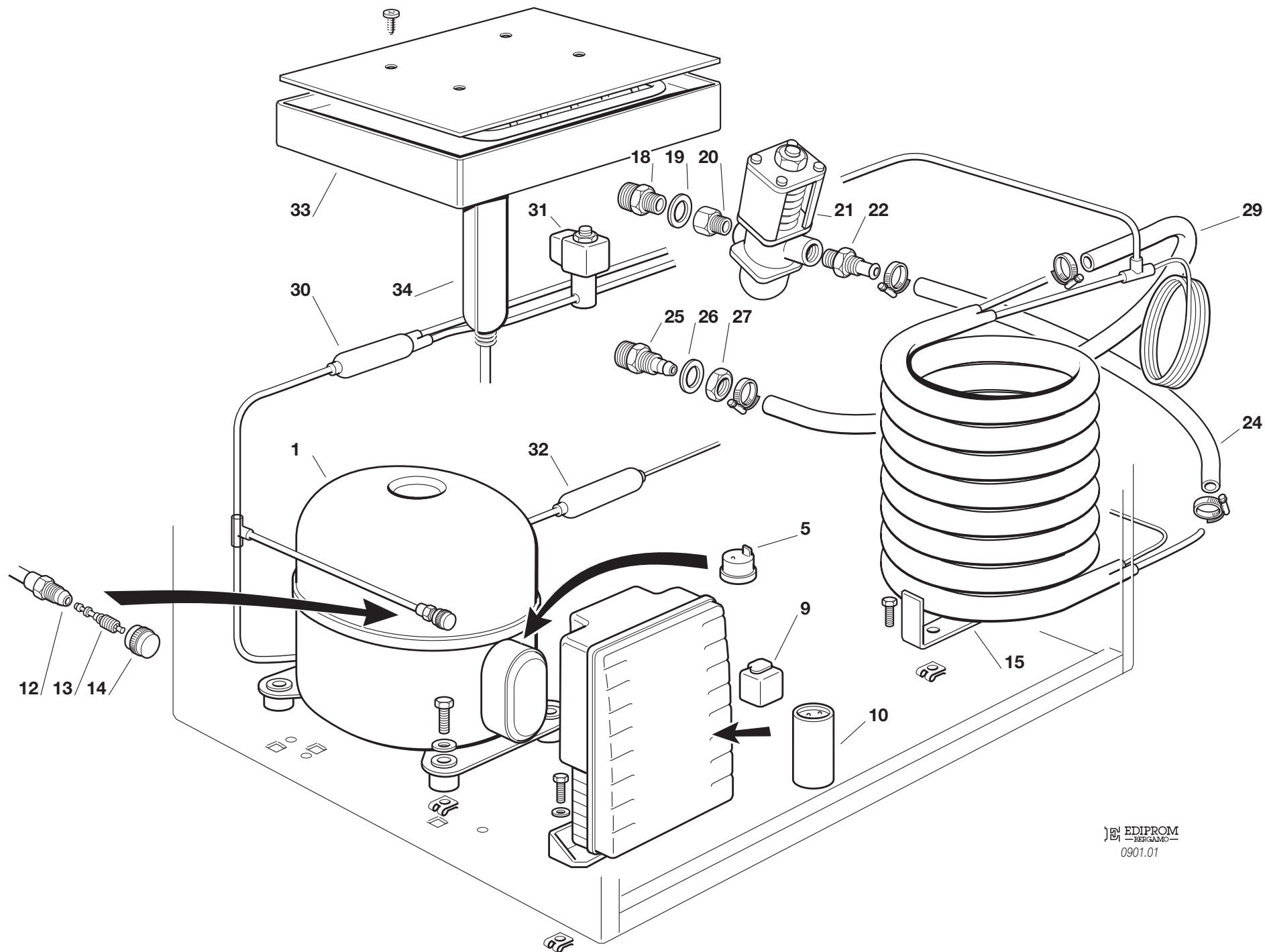
| ITEM NO POS. NO REP. NO REF. NO | PART NO CODICE REFERENCE STUECK NR | DESCRIPTION | DESCRIZIONE | DESIGNATION | BESCHREIBUNG |
|--|---|--|--|--|--|
| 1 | 781406 18 | BASE | PIASTRA DI BASE | PLAQUE DE BASE | GRUNDPLATTE |
| 2 | 060524 05 060524 06 | INSULATED BIN ASSY SCN 125 INSULATED BIN ASSY SCN 215 | ASSIEME CELLA ISOLATA SCN 125 ASSIEME CELLA ISOLATA SCN 215 | ENS. CABINE SCN 125 ENS. CABINE SCN 215 | ISOLIEREISSPEICHER SCN 145 ISOLIEREISSPEICHER SCN 215 |
| 3 | Z1CE011 | EVAPORATOR HOUSING | INVOLUCRO EVAPORATORE | CHAMBRE INTERIEUR | CELLE INTERN |
| 4 | 732016 11 | BIN DOOR BRACKET | ASTA SPORTELLO | TIGE PORTE | KLAPPENACHSE |
| 5 | 732017 02 | BULB HOLDER | TUBO PORTABULBO | TUBE PORTEBULBE | FUEHLERHALTER |
| 6 | 722382 00 722386 00 | LEFT SIDE PANEL SCN 125 LEFT SIDE PANEL SCN 215 | PANNELLO SINISTRO SCN 125 PANNELLO SINISTRO SCN 215 | JOUE GAUCHE SCN 125 JOUE GAUCHE SCN 215 | LINK. GEHÄUS. EDELST. SCN 125 LINK. GEHÄUS. EDELST. SCN 215 |
| 7 | 722381 00 722385 00 | RIGHT SIDE PANEL SCN 125 RIGHT SIDE PANEL SCN 215 | PANNELLO DESTRO SCN 125 PANNELLO DESTRO SCN 215 | JOUE DROITE SCN 125 JOUE DROITE SCN 215 | RECH. GEHÄUS. EDELST. SCN 125 RECH. GEHÄUS. EDELST. SCN 215 |
| 8 | 660883 00 | FRONT SWITCH PLASTIC PROT | CARTER PROTEZIONE INTERRUPT | CARTER PROTECTION INTERRUPT | SCHALTERABDECKUNG |
| 9 | 722380 00 722387 00 | FRONT PANEL SCN 125 FRONT PANEL SCN 215 | PANNELLO ANTERIORE SCN 125 PANNELLO ANTERIORE SCN 215 | PANNEAU AVANT SCN 125 PANNEAU AVANT SCN 215 | VORDERE WAND ED.T. SCN 125 VORDERE WAND ED.T. SCN 215 |
| 10 | 060491 26 | BIN DOOR | SPORTELLO | PORTE CABINE | SPEICHERTUER |
| 11 | 650976 22 650976 23 | SCN 125 LABEL SCN 215 LABEL | TARGHETTA SCN 125 TARGHETTA SCN 215 | EMBLEME SCN 125 EMBLEME SCN 215 | SCN 125 ABGEBILDET SCN 215 ABGEBILDET |
| 12 | 650976 00 | SIMAG LOGO | TARGHETTA SIMAG | EMBLEME SIMAG | SIMAG ABGEBILDET |
| 13 | 702567 00 702576 00 | REAR PANEL SCN 125 REAR PANEL SCN 215 | PANNELLO POSTERIORE SCN 125 PANNELLO POSTERIORE SCN 215 | PANNEAU POSTERIEUR SCN 125 PANNEAU POSTERIEUR SCN 215 | HINTERE ABDECKUNG SCN 125 HINTERE ABDECKUNG SCN 215 |
| 14 | 702334 00 | METAL BRACKET FOR FITTING | SUPPORTO ATTACCHI | SUPPORT DE RACCORDS | METALLTRÄGER |
| 15 | 650790 00 | STUD | PERNO | AXE | STIFT |
| 16 | 722383 00 | TOP PANEL | PANNELLO SUPERIORE INOX | ENS. COUVERCLE | DECKEL GESAMTHEIT |
| 17 | 660884 01 | LEFT TOP CAP | TAPPO IN PLASTICA SINISTRO | CAPUCHON EN PLAST. GAUCHE | PLASTIK PROFEN LINK |
| 18 | 660884 00 | RIGHT TOP CAP | TAPPO IN PLASTICA DESTRO | CAPUCHON EN PLAST. DROITE | PLASTIK PROFEN RECHT |
| 19 | 650806 00 | REAR STUD | PERNO POSTERIORE | AXE ARRIÈRE | TRÄGEN - HINTEN |
| 20 | 660638 02 | LEG | PIEDE REGOLABILE | PIED RÉGLABE | GERÄTEFUSS |
| 21 | Z1AC008 | ICE DEFLECTOR | GRIGLIA SCORRIMENTO CUBETTI | GRILLE GLISSEMENT GLAÇON | ABGLEITGRILL |
| 22 | 060524 10 | CURTAIN ASSY | ASSIEME TENDINA | ENS. LAMELLE | ABDECKKLAPPE GESAMTHEIT |
| 23 | Z1AC015 | KNURLED SCREW | VITE GODRONATA | VIS MOLETÉE | SCHRAUBE |
| 24 | 660515 03 | AIR FILTER | FILTRO ARIA | FILTRE A AIR | LUFT FILTER |
| 25 | 650071 00 | ICE SCOOP | SESSOLA | SASSE | EISSCHAUFEL |
| 26 | 060513 01 | KIT WATER DRAIN PIPE | KIT TUBO SCARICO ACQUA | KIT TUYAU VIDANGE EAU | WASSER SLAUFSCHLAUCH |
| 27 | 060513 00 | KIT WATER SUPPLY PIPE | KIT TUBO ALIM. ACQUA | KIT TUYAU D'ALIM. EAU | WASSER ANSCHLUSSSCHLAUCH |
| 28 | Z1AD011 | ELBOW WITH RING NUT | CURVA CON GHIERA | COUDE AVEC BAGUE | KRUMMER |



EDIPROM
BERGAMO
0106.02

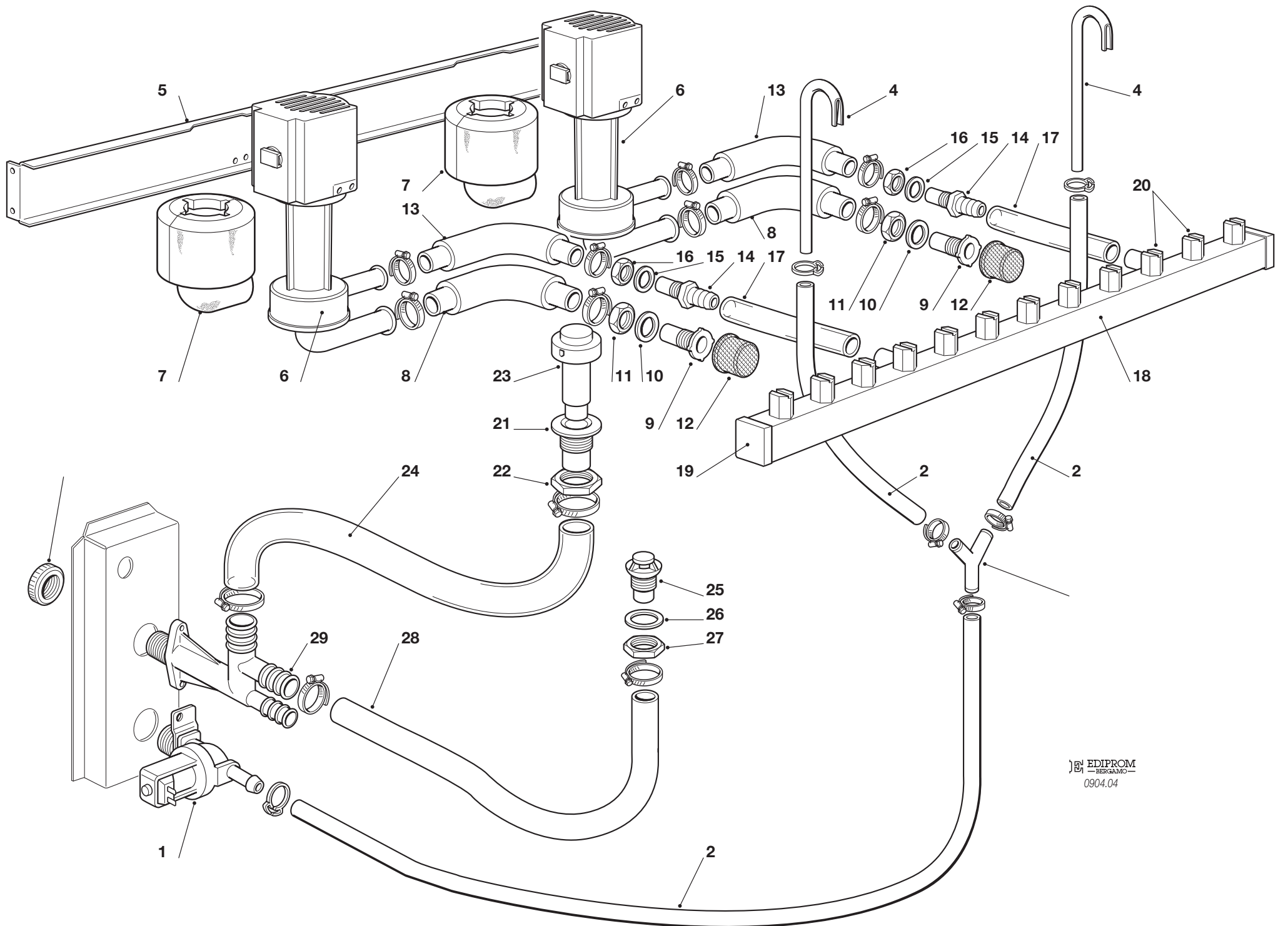
SCN 125-215 - REFRIGERANT SYSTEM AIR COOLED - SISTEMA REFRIGERANTE RAFFR. AD ARIA
CIRCUIT FRIGORIFIQUE REFROID. PAR EAU - WASSERGEKÜHLT GEFRIERSYSTEM

| ITEM NO POS. NO REP. NO REF. NO | PART NO CODICE REFERENCE STUECK NR | DESCRIPTION | DESCRIZIONE | DESIGNATION | BESCHREIBUNG |
|--|---|--|--|--|--|
| 1 | 670099 04 670099 05 | COMPRESSOR - SCN 125 COMPRESSOR - SCN 215 | COMPRESSORE - SCN 125 COMPRESSORE - SCN 215 | COMPRESSEUR - SCN 125 COMPRESSEUR - SCN 215 | KOMPRESSOR - SCN 125 KOMPRESSOR - SCN 215 |
| 2/a | 620167 00 620167 00 | START CAPACITOR SCN 125 START CAPACITOR SCN 215 | CONDENS. DI SPUNTO SCN 125 CONDENS. DI SPUNTO SCN 215 | CAPACITE'/DEMARRAGE SCN 125 CAPACITE'/DEMARRAGE SCN 215 | START KONDENSATOR SCN 125 START KONDENSATOR SCN 215 |
| 2/b | 620167 21 620167 24 | RUN CAPACITOR SCN 125 RUN CAPACITOR SCN 215 | CONDENS. DI MARCIA SCN 125 CONDENS. DI MARCIA SCN 215 | CAPACITE' PERMANENCE SCN 125 CAPACITE' PERMANENCE SCN 215 | BETRIEB KONDENSATOR SCN 125 BETRIEB KONDENSATOR SCN 215 |
| 3 | 620058 78 620058 57 | PROTECTOR SCN 125 PROTECTOR SCN 215 | PROTETTORE SCN 125 PROTETTORE SCN 215 | PROTECTEUR SCN 125 PROTECTEUR SCN 215 | SCHUTZGERAT SCN 125 SCHUTZGERAT SCN 215 |
| 4 | 620057 46 620057 47 | RELAY SCN 125 RELAY SCN 215 | RELE' SCN 125 RELE' SCN 215 | RELAIS SCN 125 RELAIS SCN 215 | RELAIS SCN 125 RELAIS SCN 215 |
| 5 | 650109 00 | VALVE BODY | CORPO VALVOLA | CORPS DE VANNE | VENTILGEHAUSE |
| 6 | 670012 00 | VALVE PISTON | PISTONCINO VALVOLA | PISTON | VENTILKOLBEN |
| 7 | 650106 00 | VALVE CAP | CAPPUCCIO VALVOLA | CAPUCHON DE VANNE | VENTILKLAPPE |
| 8 | 620419 04 620419 34 | FAN MOTOR BLADE | MOTOVENTILATORE VENTOLA | MOTO-VENTILATEUR HELICE | LÜFTERMOTOR FLÜGEL |
| 9 | 620436 00 620434 00 | AIR COOLED CONDENSER SCN 125 AIR COOLED CONDENSER SCN 215 | CONDENSATORE ARIA SCN 125 CONDENSATORE ARIA SCN 215 | CONDENSEUR SCN 125 CONDENSEUR SCN 215 | KONDENSATOR SCN 125 KONDENSATOR SCN 215 |
| 10 | 670006 01 | DRIER | FILTRO DEUMIFICATORE | FILTRE DESHYDRATEUR | TROCKNER |
| 11 | 630137 01 | MECHANICAL FILTER | FILTRO MECCANICO | FIL TRE MECANIQUE | MECHANISCHFIL TERN |
| 12 | 620306 48 620306 46 | HOT GAS VALVE COIL HOT GAS VALVE BODY | BOBINA VALVOLA GAS CALDO CORPO VALVOLA GAS CALDO | BOBINE VANNE GAZ CHAUDS CORP VANNE GAZ CHAUDS | HEISSGAZ VENTIL SPULE VENTILGEHAUSE |
| 13 | 784506 00 | EVAPORATOR ASSY | ASSIEME EVAPORATORE | ENS. EVAPORATEUR | VERDAMPFER |
| 14 | 784484 01 784484 03 | ACCUMULATOR ASSY SCN 125 ACCUMULATOR ASSY SCN 215 | ASSIEME ACCUMULAT. SCN 125 ASSIEME ACCUMULAT. SCN 215 | ENS. ACCUMULATEUR SCN 125 ENS. ACCUMULATEUR SCN 215 | SAMMLER/ SAUGLEIT. SCN 125 SAMMLER/ SAUGLEIT. SCN 215 |



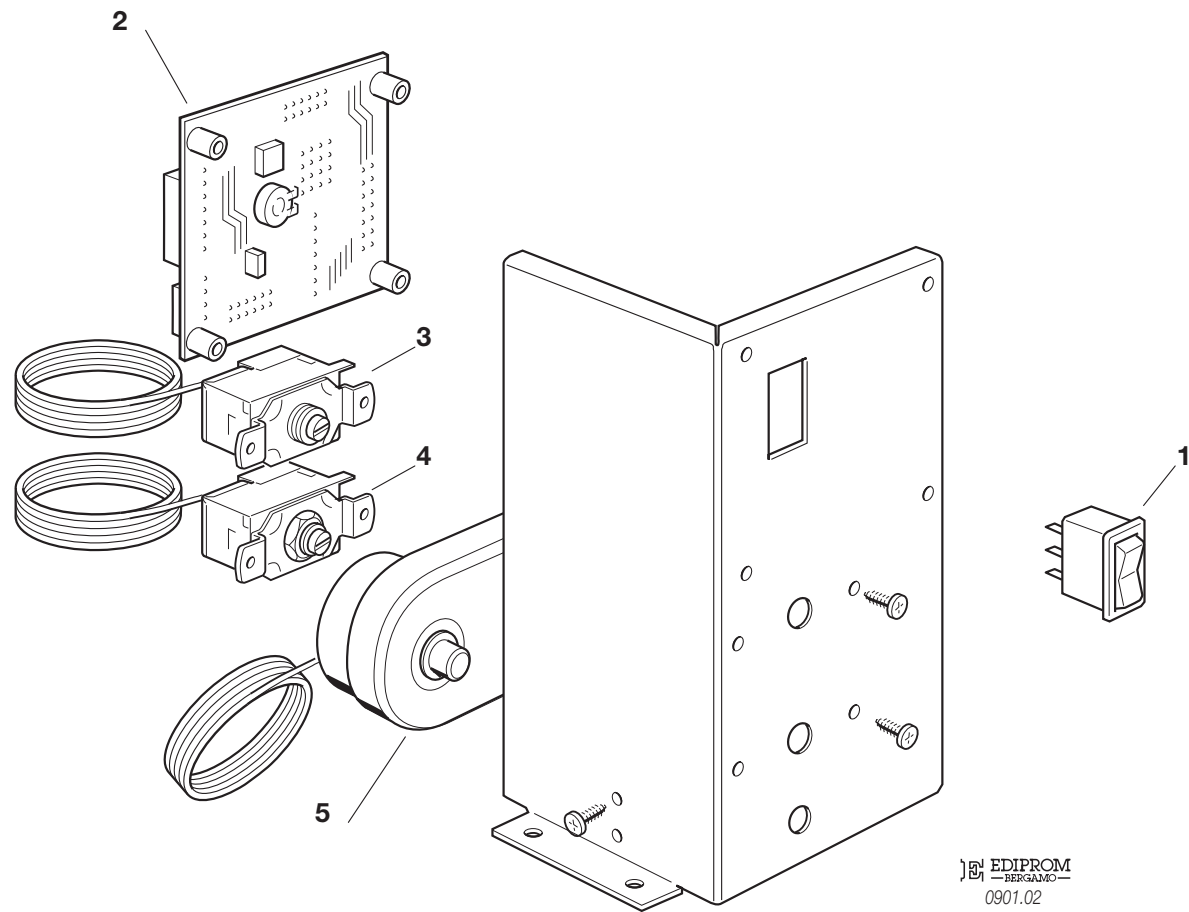
**SCN 125-215 - REFRIGERANT SYSTEM WATER COOLED - SISTEMA REFRIGERANTE RAFFR. AD ACQUA
CIRCUIT FRIGORIFIQUE REFROID. PAR EAU - WASSERGEKÜHLT GEFRIERSYSTEM**

| ITEM NO POS. NO REP. NO REF. NO | PART NO CODICE REFERENCE STUECK NR | DESCRIPTION | DESCRIZIONE | DESIGNATION | BESCHREIBUNG |
|--|---|--|--|--|--|
| 1 | 670099 04 670099 05 | COMPRESSOR - SCN 125 COMPRESSOR - SCN 215 | COMPRESSORE - SCN 125 COMPRESSORE - SCN 215 | COMPRESSEUR - SCN 125 COMPRESSEUR - SCN 215 | KOMPRESSOR - SCN 125 KOMPRESSOR - SCN 215 |
| 5 | 620058 78 620058 57 | PROTECTOR SCN 125 PROTECTOR SCN 215 | PROTETTORE SCN 125 PROTETTORE SCN 215 | PROTECTEUR SCN 125 PROTECTEUR SCN 215 | SCHUTZGERAT SCN 125 SCHUTZGERAT SCN 215 |
| 9 | 620057 46 620057 47 | RELAY SCN 125 RELAY SCN 215 | RELE' SCN 125 RELE' SCN 215 | RELAIS SCN 125 RELAIS SCN 215 | RELAIS SCN 125 RELAIS SCN 215 |
| 10/a | 620167 00 620167 00 | START CAPACITOR SCN 125 START CAPACITOR SCN 215 | CONDENS. DI SPUNTO SCN 125 CONDENS. DI SPUNTO SCN 215 | CAPACITE'/DEMARRAGE SCN 125 CAPACITE'/DEMARRAGE SCN 215 | START KONDENSATOR SCN 125 START KONDENSATOR SCN 215 |
| 10/b | 620167 21 620167 24 | RUN CAPACITOR SCN 125 RUN CAPACITOR SCN 215 | CONDENS. DI MARCIA SCN 125 CONDENS. DI MARCIA SCN 215 | CAPACITE' PERMANENCE SCN 125 CAPACITE' PERMANENCE SCN 215 | BETRIEB KONDENSATOR SCN 125 BETRIEB KONDENSATOR SCN 215 |
| 12 | 650109 00 | VALVE BODY | CORPO VALVOLA | CORPS DE VANNE | VENTILGEHAUSE |
| 13 | 670012 00 | VALVE PISTON | PISTONCINO VALVOLA | PISTON | VENTILKOLBEN |
| 14 | 650106 00 | VALVE CAP | CAPPUCCIO VALVOLA | CAPUCHON DE VANNE | VENTILKLAPPE |
| 15 | 620495 02 620495 00 | WATER CONDENSER SCN 125 WATER CONDENSER SCN 215 | CONDENSATORE ACQUA SCN 125 CONDENSATORE ACQUA SCN 215 | CONDENSEUR SCN 125 CONDENSEUR SCN 215 | WASSER KONDENSATOR SCN 125 WASSER KONDENSATOR SCN 215 |
| 18 | 400053 00 | NUT | DADO | ECROU | MUTTER |
| 19 | 400052 00 | WASHER | RONDELLA | RONDELLE | SCHEIBE |
| 20 | 733204 00 | WATER INLET FITTING | RACCORDO INGRESSO ACQUA | RACCORD ARRIVE'E D'EAU | WASSER EINLAUFSTÜCK |
| 21 | 620111 00 | WATER REGUL. VALVE | VALVOLA PRESSOSTATICA | VANNE A EAU PRESSOSTATIQUE | WASSERREGLERVENTIL |
| 22 | 783208 02 | COUPLING | RACCORDO FLANGIATO | RACCORD SORTIE EAU | WASSERREGLEREABFLUSSSTUECK |
| 24 | 281900 01 | TUBE | TUBO IN PVC PER METRO | TUYAU EN PLAST. POUR METRE | PLASTIK ROHR-PRO METER |
| 25 | 660291 00 | TEE TUBE | | RACCORD EVACUATION 3/4 GAS | 3/4 GAS SCHLAUCH |
| 26 | 400031 00 | FIBER WASHER | RONDELLA IN FIBRA | RONDELLE EN FIBRE | FIBER SCHEIBE |
| 27 | 400030 01 | NUT | DADO | ECROU | MUTTER |
| 29 | 281900 01 | TUBE | TUBO IN PVC PER METRO | TUYAU EN PLAST. POUR METRE | PLASTIK ROHR-PRO METER |
| 30 | 630137 01 | MECHANICAL FILTER | FILTRO MECCANICO | FIL TRE MECANIQUE | MECHANISCHFIL TERN |
| 31 | 620306 48 620306 46 | HOT GAS VALVE COIL HOT GAS VALVE BODY | BOBINA VALVOLA GAS CALDO CORPO VALVOLA GAS CALDO | BOBINE VANNE GAZ CHAUDS CORP VANNE GAZ CHAUDS | HEISSGAZ VENTIL SPULE VENTILGEHAUSE |
| 32 | 670006 01 | DRIER | FILTRO DEUMIDIFICATORE | FILTRE DESHYDRATEUR | TROCKNER |
| 33 | 784506 00 | EVAPORATOR ASSY | ASSIEME EVAPORATORE | ENS. EVAPORATEUR | VERDAMPFER |
| 34 | 784484 01 784484 03 | ACCUMULATOR ASSY SCN 125 ACCUMULATOR ASSY SCN 215 | ASSIEME ACCUMULAT. SCN 125 ASSIEME ACCUMULAT. SCN 215 | ENS. ACCUMULATEUR SCN 125 ENS. ACCUMULATEUR SCN 215 | SAMMLER/ SAUGLEIT. SCN 125 SAMMLER/ SAUGLEIT. SCN 215 |



SCN 125-215 - WATER SYSTEM - CIRCUITO IDRAULICO - CIRCUIT HYDRAULIQUE - WASSERSYSTEM

| ITEM NO POS. NO REP. NO REF. NO | PART NO CODICE REFERENCE STUECK NR | DESCRIPTION | DESCRIZIONE | DESIGNATION | BESCHREIBUNG |
|--|---|------------------------------|------------------------------|-------------------------------|-----------------------------|
| 1 | 650105 54 | WATER INLET VALVE | ELETTRORVALVOLA | ELECTROVANNE | ELEKTROMAGNETVENTIL |
| 2 | 281900 01 | PLASTIC TUBE - PER METER | TUBO INGRESSO ACQUA | TUYAU EN PLASTIQUE - POUR MT. | PLASTIK ROHR - PRO METER |
| 4 | 734683 00R | WATER INLET COPPER PIPE | TUBO RAME INGR. ACQUA | TUYAU ENTREE EAU CUIVRE | WASSEREINLAUFROHR - CUPPER |
| 5 | 703228 00 | METAL BRACKET | SUPPORTO POMPA | SUPPORT METALLIQUE | METAL TRAEGER |
| 6 | 620415 00 | WATER PUMP | POMPA | POMPE A EAU | WASSER PUMPE |
| 7 | Z1ID043 | PUMP COVER INSULATION | ISOLAMENTO POMPA | COUPELLE POUR POMPE | PUMPENISOLATION |
| 8 | 610189 01 | PUMP FEEDING PIPE | TUBO ASPIRAZIONE POMPA | TUYAU D'ASPIRATION POMPE | PUMPENANSAUGSCHLAUCH |
| 9 | Z1AC029 | PUMP FEEDING PIPE-FIXING | RACCORDO ASPIRAZ. POMPA | RACCORD ASPIRATION POMPE | ANSAUGANSCHLUSSTUCK |
| 10 | Z1AC014 | WASHER | RONDELLA | RONDELLE | UNTERLEGSCHIEBE |
| 11 | Z1AC017 | NUT | DADO | ECROU | MUTTER TUERCA |
| 12 | Z1AC012 | PUMP FEEDING FILTER | FILTRO ASPIRAZIONE POMPA | FILTRE ASPIRATION POMPE | PUMPENANSAUGFILTER |
| 13 | Z1ID006 | PUMP INLET WATER PIPE | TUBO MANDATA POMPA | TUYAU DE REFOULEMENT | PUMPENABFLUSSSCHLAUCH |
| 14 | Z1AC030 | PUMP INLET WATER PIPE-FIXING | RACCORDO MANDATA POMPA | RACCORD REFOULEMENT POMPE | PUMPENABFLUSSANSCHLUSSTUCK |
| 15 | Z1AC013 | WASHER | RONDELLA | RONDELLE | UNTERLEGSCHIEBE |
| 16 | Z1AC016 | NUT | DADO | ECROU | MUTTER TUERCA |
| 17 | 281830 04 | SPRAY BAR FEEDING PIPE | TUBO ALIMENTAZIONE COLLETT. | TUYAU D'ALIMENTATION EAU | ANSCHLUSSSCHLAUCH KOLLEKTOR |
| 18 | 650665 09 | SPRAY BAR | TUBO SPRUZZATORE | COLLECTEUR | KOLLEKTOR |
| 19 | 660557 00 | PLUG | UGELLO SPRUZZATORE | BOUCHON POUR COLLECTEUR | STOPFEN |
| 20 | 660558 00 | SPRAY JET | SPRUZZATORI | GICLEURS | SPRÜHDÜSEN |
| 21 | Z1AC057 | OVERFLOW EXHAUST | RACCOR. SCARICO TROPPO PIENO | RACCORD E'COULEM. TROP-PLEIN | ÜBERLAUFROHR |
| 22 | Z1AC058 | NUT | DADO | ECROU | MUTTER TUERCA |
| 23 | 660601 00 | OVERFLOW STAND PIPE | TUBO DI TROPPO PIENO | TROP PLEIN | UEBERLAUFROHR |
| 24 | Z1ID028 | OVERFLOW DRAIN TUBE | TUBO SCARICO TROPPO PIENO | TUYAU VIDANGE TROP PLAIN | BEHÄLTER ABLAUF |
| 25 | Z1AC028 | DRAIN FILTER | DRAIN FILTER | FILTRE CABINE STOCKAGE | BEHÄLTER ABLAUF FILTER |
| 26 | Z1AC013 | WASHER | RONDELLA | RONDELLE | UNTERLEGSCHIEBE |
| 27 | Z1AC016 | NUT | DADO | ECROU | MUTTER TUERCA |
| 28 | 610189 00 | STORAGE BIN DRAIN TUBE | TUBO SCARICO CONTENITORE | TUYAU VIDANGE CONTENEUR | BEHÄLTERAUSLAUFSCHLAUCH |
| 29 | Z1ID025 | WATER DRAIN FITTING | RACCORDO SCARICO ACQUA | RACCORD EVACUATION EAU | WASSERABFLUSSANSCHLUSSE |
| | | | | | |



EDIPROM
—BERGAMO—
0901.02

SCN 125-215 - CONTROL BOX - SCATOLA DI CONTROLLO - BOITE ELECTRIQUE - SCHALTSCHRANK

| ITEM NO POS NO REP. NO REF. NO | PART NO CODICE REFERENCE STUECK NR | DESCRIPTION | DESCRIZIONE | DESIGNATION | BESCHREIBUNG |
|---|---|-----------------------|--------------------------|------------------------|-------------------------|
| 1 | 620453 00 | SWITCH | INTERRUTTORE LUMINOSO | INTERRUPTEUR LUMINEUX | SCHALTER |
| 2 | 620507 01 | TIMER | T IMER | M INUTERIE | T IMER |
| 3 | 620201 01 | EVAPORATOR THERMOSTAT | THERMOSTATO EVAPORATORE | THERMOSTAT EVAPORATEUR | VERDAMPFER THERMOSTAT |
| 4 | 630005 00 | BIN THERMOSTAT | THERMOSTATO CONTENITORE | THERMOSTAT CONTENEUR | BEHÄLTER THERMOSTAT |
| 5 | 620508 00 | PRESSURE SAFETY | PRESSOSTATO DI SICUREZZA | PRESSOSTAT DE SECURITÉ | SICHERHEITS DRUCKWACTER |
| | | | | | |
| | | | | | |

SCN 125 - COMPRESSOR CHART - TABELLA COMPRESSORI - TABLEAU COMPRESSEUR - KOMPRESSOR KARTE

| MODEL MODELLO MODELE MODELL | VOLTS TENSIONE TENSION SPANNUNG | COMPRESSOR MODEL MOD. COMPRESSORE TYPE COMPRESSEUR KOMPRESSOR TYP | COMPRESSOR COMPRESSORE COMPRESSEUR KOMPRESSOR | RELAY RELE' RELAIS RELAIS | PROTECTOR PROTETTORE PROTECTEUR SCHUTZGERAT | START CAPACITOR CONDENS. DI SPUNTO CAPACITE'/DEMARRAGE START KONDENSATOR | RUN CAPACITOR CONDENS. DI MARCIA CAPACITE' PERMANENCE BETRIEB KONDENSATOR |
|--------------------------------------|--|--|--|------------------------------------|--|---|--|
| SCN 125 | 115/60/1 | - | - | - | - | - | |
| SCN 125 | 230/60/1 | - | - | - | - | - | |
| SCN 125 | 230/50/1 | CAJ9510Z | 670099 04 | 620057 46 | 620058 78 | 620167 00 | 620167 21 |

**SCN 125 - ELECTRIC COMPONENTS CHART - TABELLA COMPONENTI ELETTRICI
TABLEAU COMPOSANTS ELECTRIQUE - ELEKTRISCHEKARTE**

| MODEL MODELLO MODELE MODELL | VOLTS TENSIONE TENSION SPANNUNG | WATER PUMP POMPA POMPE A EAU WASSER PUMPE | FAN MOTOR ONLY MOTORE VENTILATORE MOTEUR VENTILATEUR LUFTER MOTOR | WATER INLET VALVE VALV. INGR. ACQUA V.E.M. ARRIVEE' EAU WASSEREIN. VENTIL | HOT GAS VALVE VALVOLA GAS CALDO V.E.M. GAZ CHAUDS HEISSGAZ VENTIL | TIMER TIMER MINUTERIE TIMER | CONTACTOR CONTATTORE CONTACTEUR SCHALTSCHUTZ |
|--------------------------------------|--|--|--|--|--|--------------------------------------|---|
| SCN 125 | 115/60/1 | - | - | - | - | - | - |
| SCN 125 | 230/60/1 | - | - | - | - | - | - |
| SCN 125 | 230/50/1 | 620415 00 | 620419 04 | 650105 54 (AIR / WATER) | 620306 48 -COIL- 620306 46 -BODY- | 620507 01 | - |

SCN 215 - COMPRESSOR CHART - TABELLA COMPRESSORI - TABLEAU COMPRESSEUR - KOMPRESSOR KARTE

| MODEL MODELLO MODELE MODELL | VOLTS TENSIONE TENSION SPANNUNG | COMPRESSOR MODEL MOD. COMPRESSORE TYPE COMPRESSEUR KOMPRESSOR TYP | COMPRESSOR COMPRESSORE COMPRESSEUR KOMPRESSOR | RELAY RELE' RELAIS RELAIS | PROTECTOR PROTETTORE PROTECTEUR SCHUTZGERAT | START CAPACITOR CONDENS. DI SPUNTO CAPACITE'/DEMARRAGE START KONDENSATOR | RUN CAPACITOR CONDENS. DI MARCIA CAPACITE' PERMANENCE BETRIEB KONDENSATOR |
|--------------------------------------|--|--|--|------------------------------------|--|---|--|
| SCN 215 | 115/60/1 | - | - | - | - | - | |
| SCN 215 | 230/60/1 | - | - | - | - | - | |
| SCN 215 | 230/50/1 | CAJ4519Z | 670099 05 | 620057 47 | 620058 57 | 620167 00 | 620167 24 |

**SCN 215 - ELECTRIC COMPONENTS CHART - TABELLA COMPONENTI ELETTRICI
TABLEAU COMPOSANTS ELECTRIQUE - ELEKTRISCHEKARTE**

| MODEL MODELLO MODELE MODELL | VOLTS TENSIONE TENSION SPANNUNG | WATER PUMP POMPA POMPE A EAU WASSER PUMPE | FAN MOTOR ONLY MOTORE VENTILATORE MOTEUR VENTILATEUR LUFTER MOTOR | WATER INLET VALVE VALV. INGR. ACQUA V.E.M. ARRIVEE' EAU WASSEREIN. VENTIL | HOT GAS VALVE VALVOLA GAS CALDO V.E.M. GAZ CHAUDS HEISSGAZ VENTIL | TIMER TIMER MINUTERIE TIMER | CONTACTOR CONTATTORE CONTACTEUR SCHALTSCHUTZ |
|--------------------------------------|--|--|--|--|--|--------------------------------------|---|
| SCN 215 | 115/60/1 | - | - | - | - | - | - |
| SCN 215 | 230/60/1 | - | - | - | - | - | - |
| SCN 215 | 230/50/1 | 620415 00 | 620419 04 | 650105 54 (AIR / WATER) | 620306 48 -COIL- 620306 46 - BODY- | 620507 01 | - |