

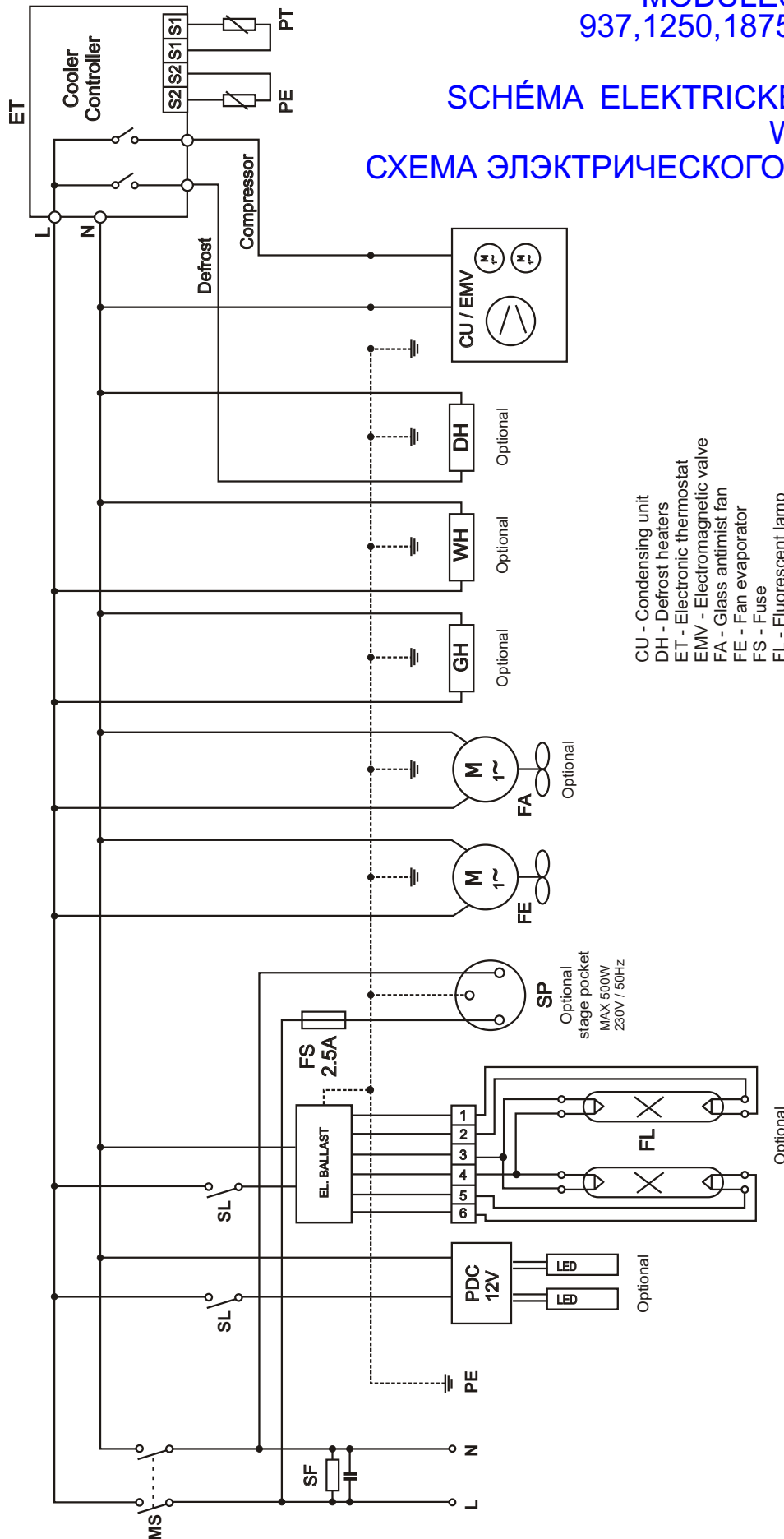


pastorkalt a.s.

SERVE OVER SM V, S, V-ZA, BO, V-SS, RB

MODULES / TEMP. CLASS:
937, 1250, 1875, 2500, 3125, 3750,
45E, 45I, 90E, 90I

SCHEMA ELEKTRICKÉHO ZAPOJENIA WIRING DIAGRAM СХЕМА ЭЛЕКТРИЧЕСКОГО ПОДКЛЮЧЕНИЯ



- CU - Condensing unit
- DH - Defrost heaters
- ET - Electronic thermostat
- EMV - Electromagnetic valve
- FA - Glass antimist fan
- FE - Fan evaporator
- FS - Fuse
- FL - Fluorescent lamp
- GH - Glass heaters
- LED - LED lamp
- MS - Master switch
- PT - Probe thermostat
- PE - Probe evaporator
- PDC - Power supply (12 or 24 VDC)
- SP - Stage pocket
- SL - Switch of light
- SF - Screened filter
- WH - Condensing water heaters

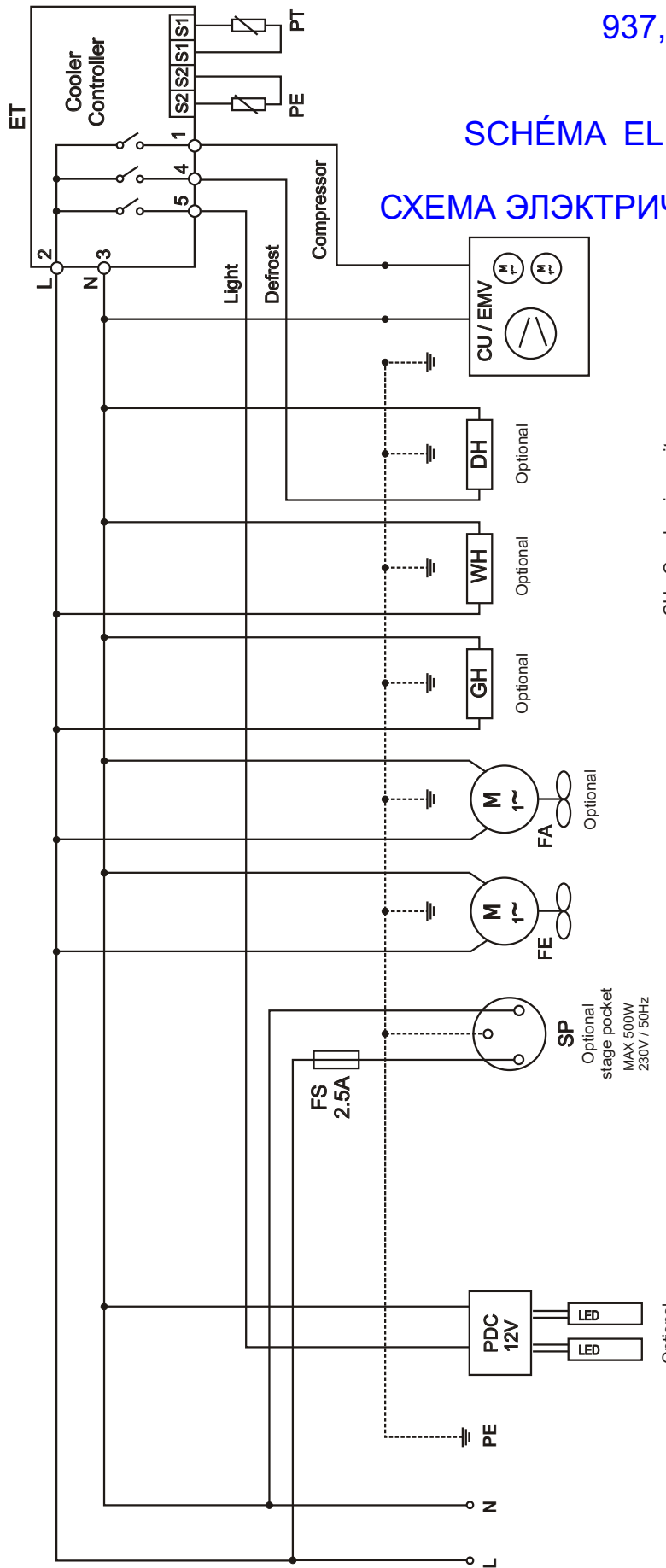


pastorkalt a.s.

SERVE OVER SM V, S, V-ZA, BO, V-SS, RB

MODULES / TEMP. CLASS:
937, 1250, 1875, 2500, 3125, 3750,
45E, 45I, 90E, 90I
R290

SCHÉMA ELEKTRICKÉHO ZAPOJENIA WIRING DIAGRAM СХЕМА ЭЛЕКТРИЧЕСКОГО ПОДКЛЮЧЕНИЯ



- CU - Condensing unit
- DH - Defrost heaters
- ET - Electronic thermostat
- EMV - Electromagnetic valve
- FA - Glass antimist fan
- FE - Fan evaporator
- FS - Fuse
- GH - Glass heaters
- LED - LED lamp
- PT - Probe thermostat
- PE - Probe evaporator
- PDC - Power supply (12 or 24 VDC)
- SP - Stage pocket
- SF - Screened filter
- WH - Condensing water heaters

PK-T-16070-17
10.8.2017

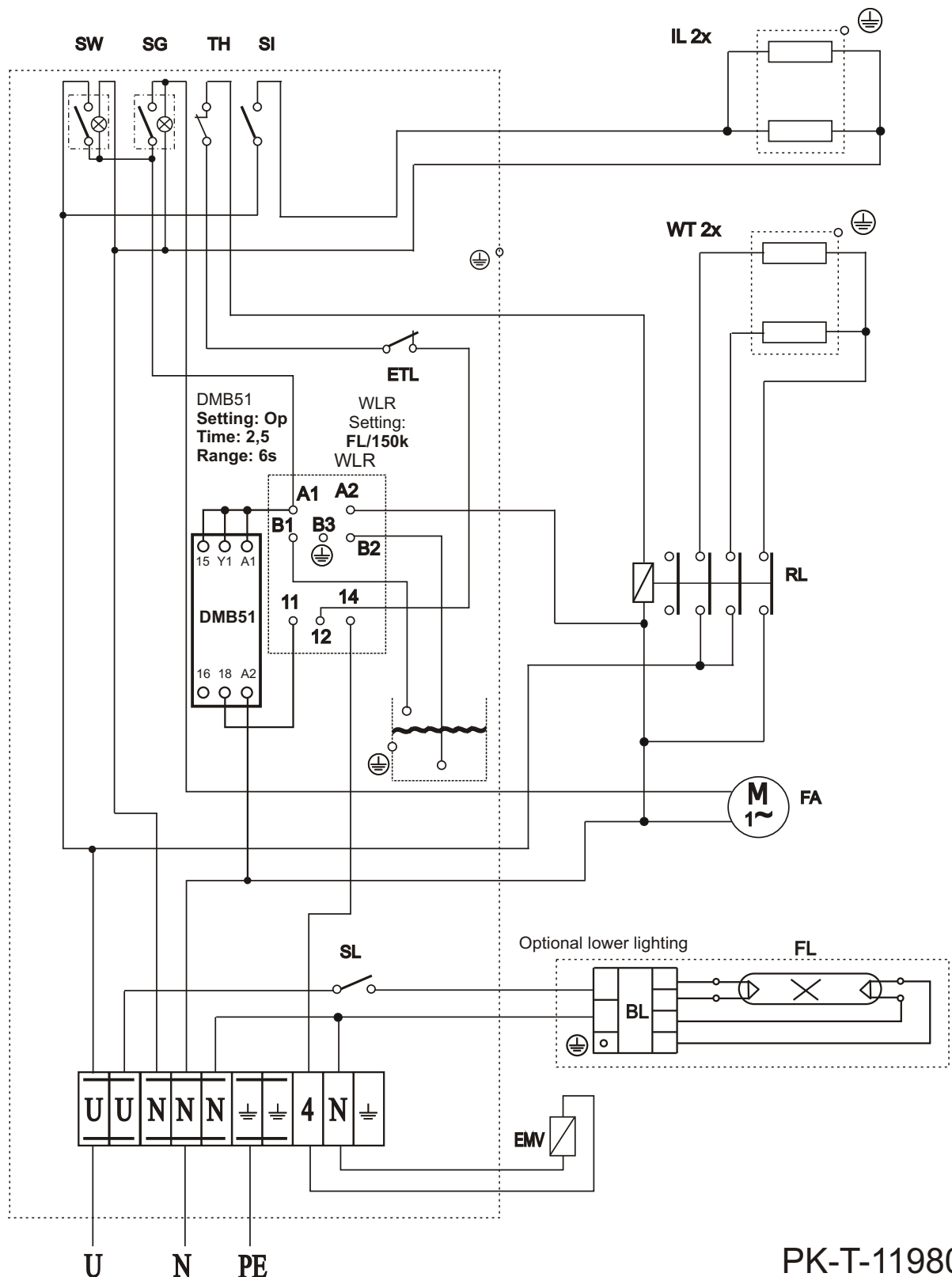


pastorkalt a.s.

SERVE OVER SM TPBM 230V

MODULES/TEMP. CLASS:
937, 1250

SCHÉMA ELEKTRICKÉHO ZAPOJENIA WIRING DIAGRAM



PK-T-11980-14
8.9.2014

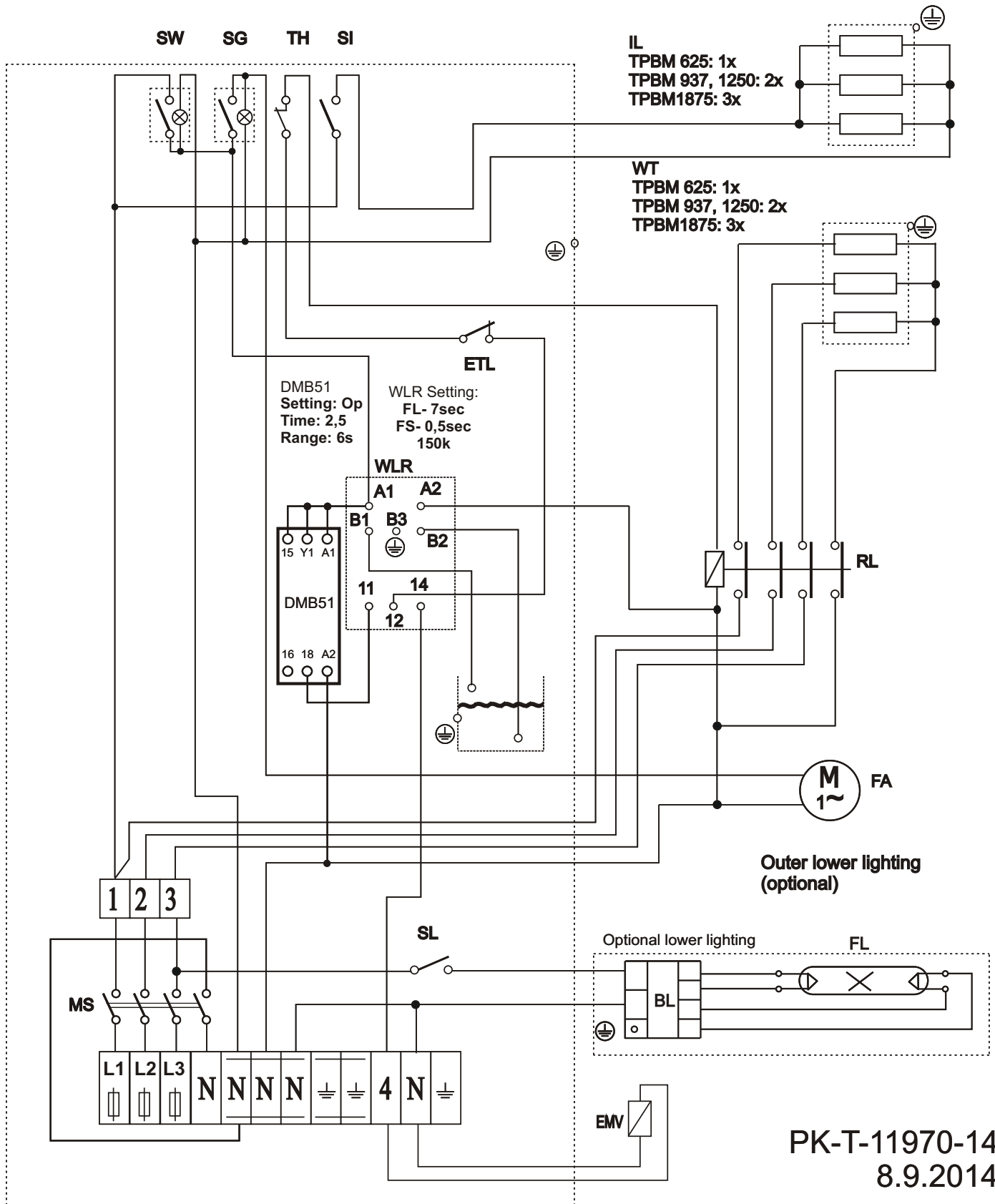


pastorkalt a.s.

SERVE OVER SM TPBM

MODULES/TEMP. CLASS:
625, 937, 1250, 1875

SCHÉMA ELEKTRICKÉHO ZAPOJENIA WIRING DIAGRAM



PK-T-11970-14
8.9.2014

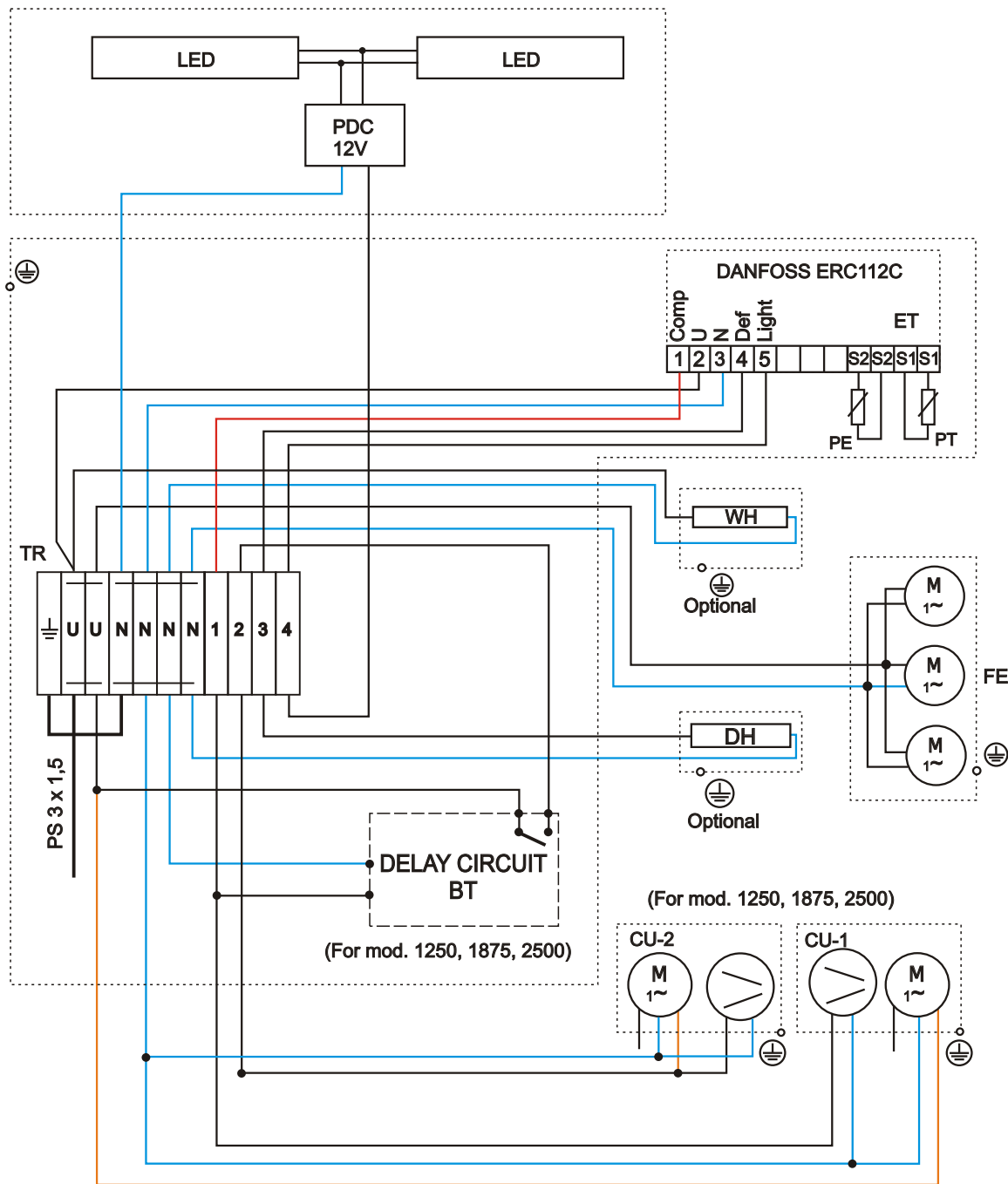


pastorkalt a.s.

FILIP R290

MODULES/TEMP. CLASS:
625, 937, 1250, 1875: M2, M1(CP)

SCHÉMA ELEKTRICKÉHO ZAPOJENIA WIRING DIAGRAM





pastorkalt a.s.

FILIP

MODULES/TEMP. CLASS:
937, 1250, 1875, 2500: M2(SL), H(OF)
937, 1250, 1875: M1(CP)

SCHÉMA ELEKTRICKÉHO ZAPOJENIA WIRING DIAGRAM

