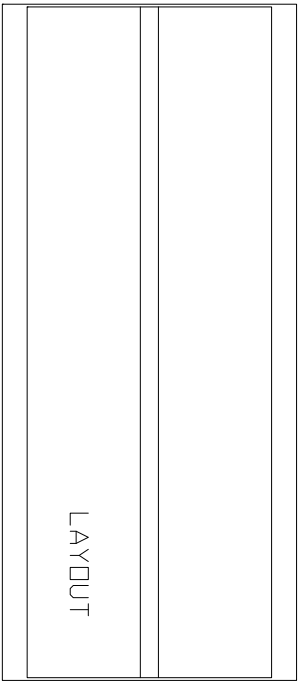
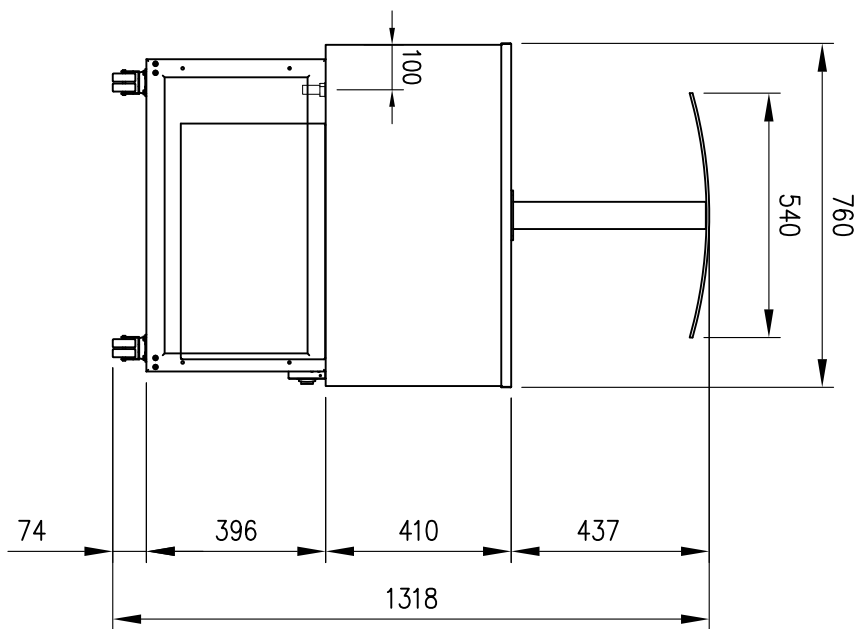
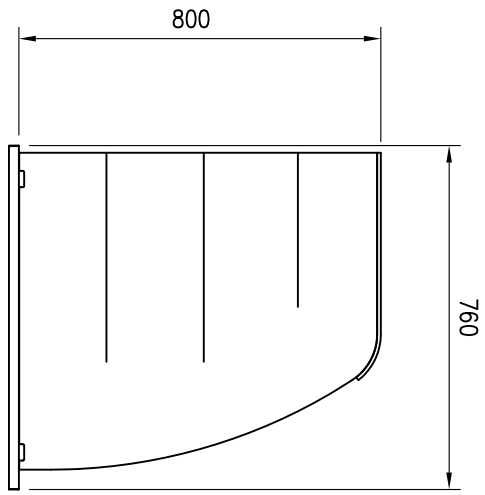


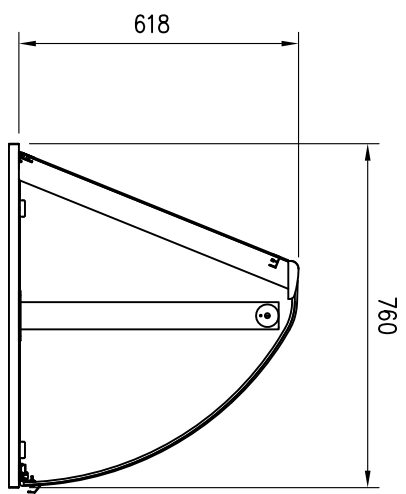
GN	L1	L2
2/1	844	459
3/1	1169	459
4/1	1494	459
5/1	1819	759
6/1	2144	759



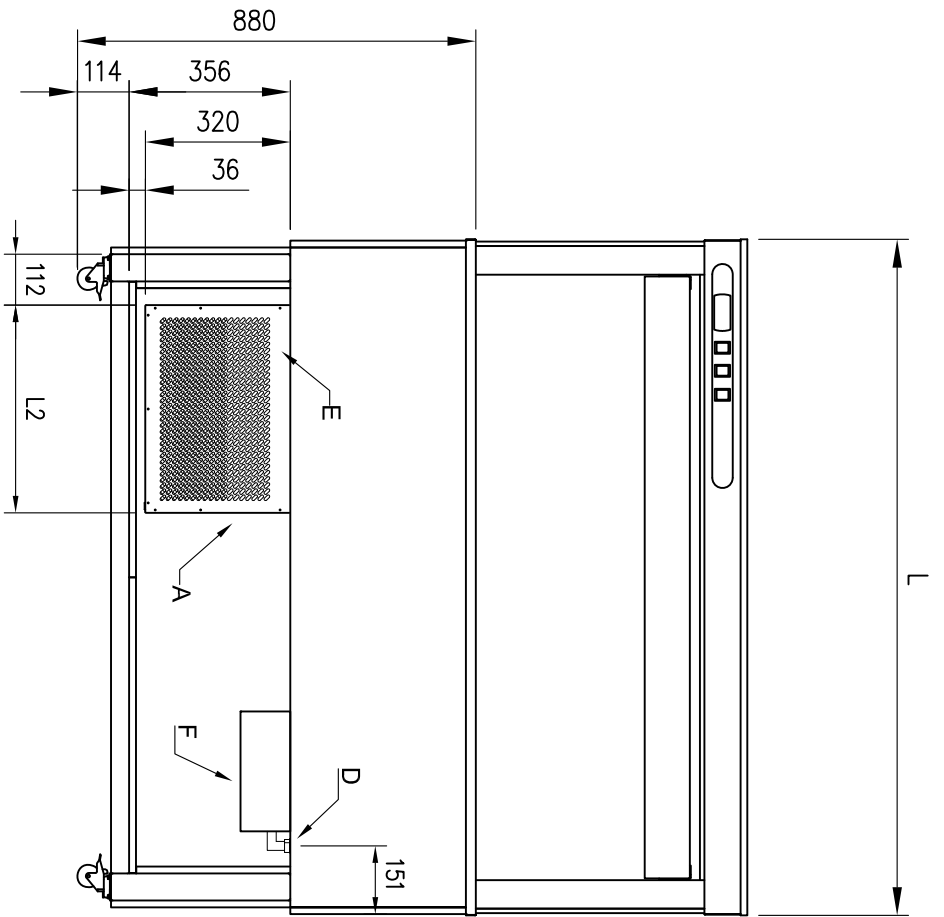
ESSENCE BLUE  
 A= ELECTRICAL CONNECTION  
 D= WATER DISCHARGE G1/2"(M)  
 E= GAS CONNECTION Ø8 Ø10  
 F= WATER BOX



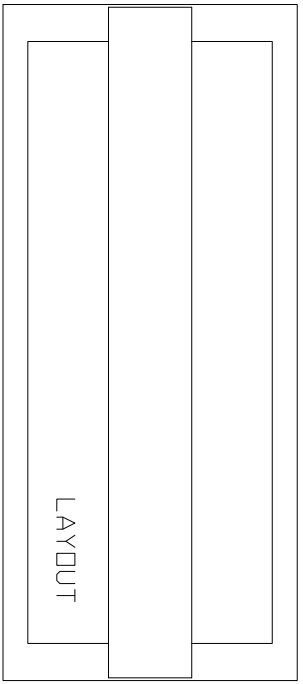
PLATINUM  
 3/1 4/1



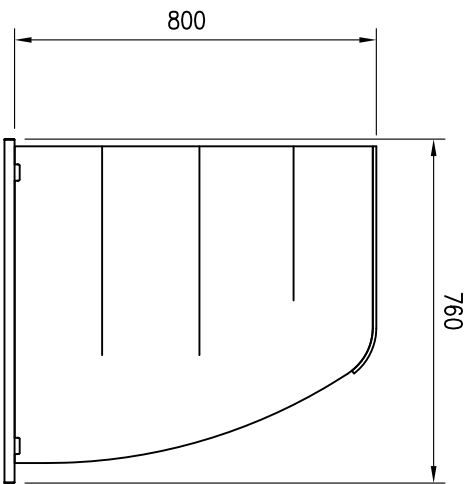
GREY  
 3/1 4/1



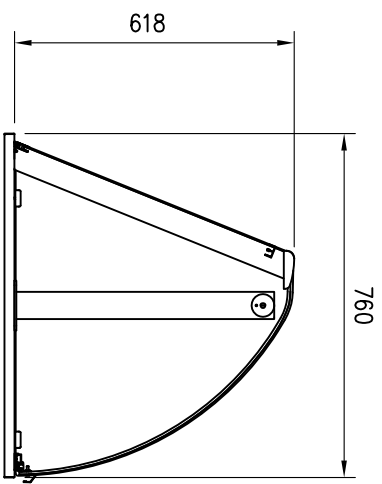
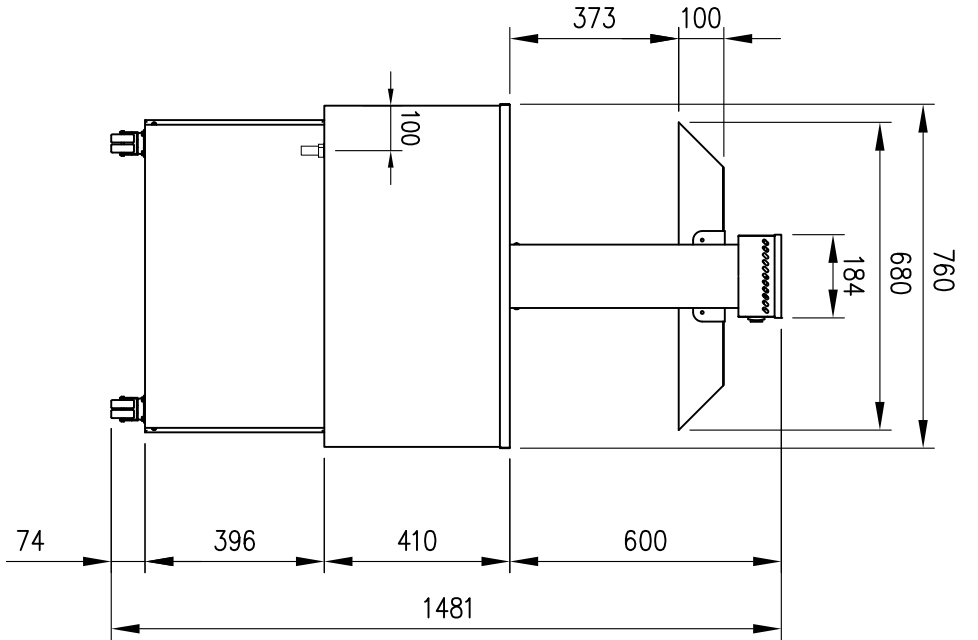
GN	L1	L2
2/1	844	459
3/1	1169	459
4/1	1494	459
5/1	1819	759
6/1	2144	759



**TRADITION BLUE**  
 A= ELECTRICAL CONNECTION  
 D= WATER DISCHARGE G1/2"(M)  
 E= GAS CONNECTION Ø8 Ø10  
 F= WATER BOX



**PLATINUM**  
 3/1 4/1



**GREY**  
 3/1 4/1

104B