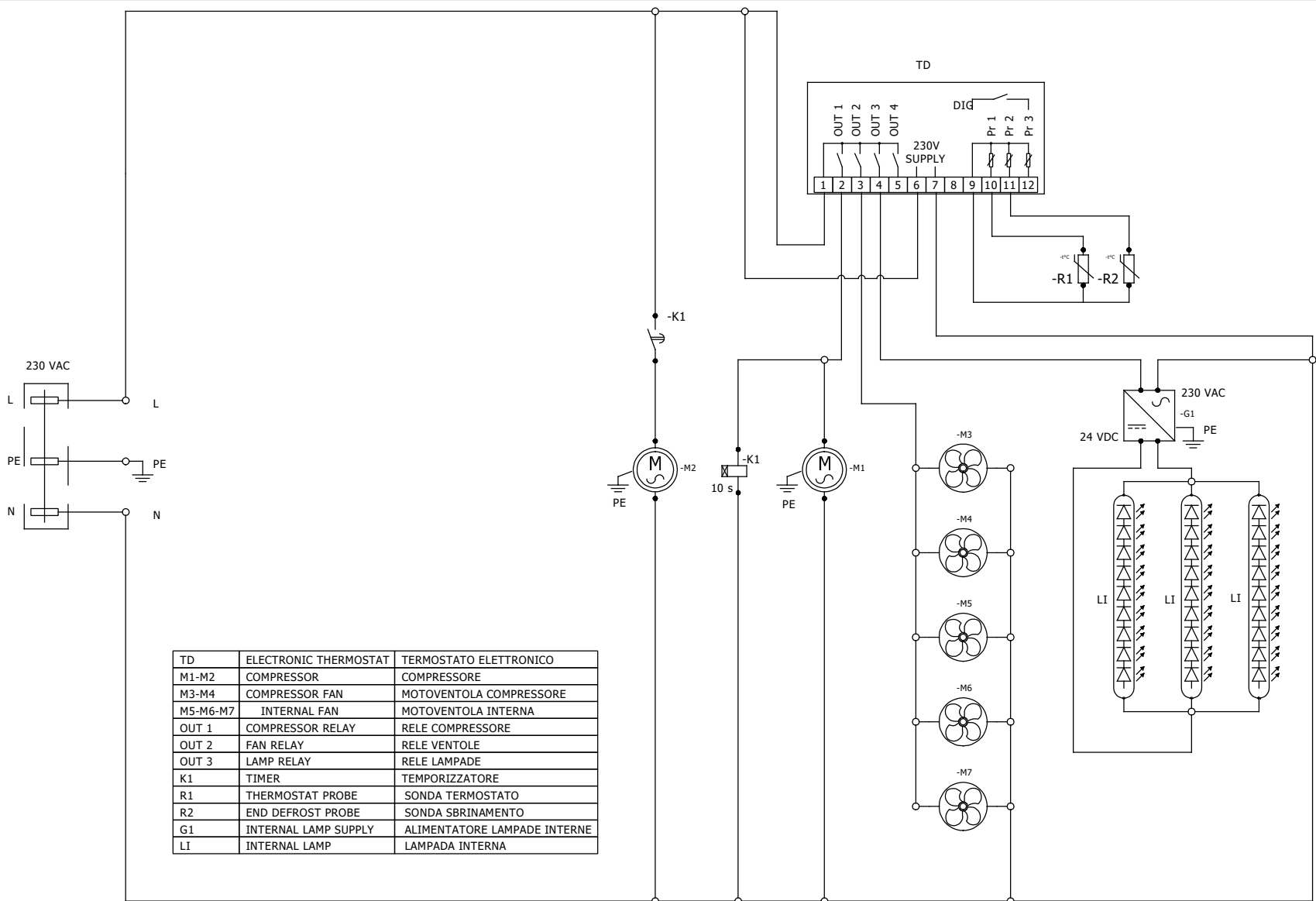


# Schaltplan

## COOL-LINE Wandkühlregal **Murales 19 GX**

[Art. 4651002190]





TD	ELECTRONIC THERMOSTAT	TERMOSTATO ELETTRONICO
M1-M2	COMPRESSOR	COMPRESSORE
M3-M4	COMPRESSOR FAN	MOTOVENTOLA COMPRESSORE
M5-M6-M7	INTERNAL FAN	MOTOVENTOLA INTERNA
OUT 1	COMPRESSOR RELAY	RELE COMPRESSORE
OUT 2	FAN RELAY	RELE VENTOLE
OUT 3	LAMP RELAY	RELE LAMPADE
K1	TIMER	TEMPORIZZATORE
R1	THERMOSTAT PROBE	SONDA TERMOSTATO
R2	END DEFROST PROBE	SONDA SBRINAMENTO
G1	INTERNAL LAMP SUPPLY	ALIMENTATORE LAMPADIE INTERNE
LI	INTERNAL LAMP	LAMPADA INTERNA

Stato / Status	Materiali	Approvato da / Approved by	Data Appr. / Date Appr.
		Disegnato da / Drawn by	08/11/2021
	Scala del foglio / Sheet Scale	Giuseppe Campo	
	Modello / Model	Schema elettrico	
	Formato / Format		
	Foglio / Sheet	Descrizione	
	Massa [kg] / Mass [kg]	Code / Code	
	Tolleranza / Tolerance	2696601	Rev. 0
	ISO 2768 MK		

Sketch of ownership Mondial Franec S.r.l. and forbidden the reproduction and the transfer to third approval written excepted

NordCap GmbH & Co. KG

Thalendorststraße 15  
D-28307 Bremen

Telefon: +49 421 48557-0  
Telefax: +49 421 488650

E-Mail: [info\(at\)nordcap.de](mailto:info@nordcap.de)

