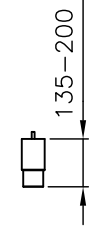
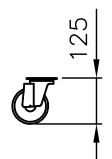


A	 135-200	 125
	L2 Medium legs	C Castors

Revision:

Description: Dimensions Snowflake 1305

General tolerances:
ISO 2768-1 (m)
ISO 2768-2 (L)

GRAM

© Gram Commercial A/S
DENMARK

Date: 23-05-2013

Name: JABP

Scale 1/20

Drawing no.:

765041594

Sheet no.:

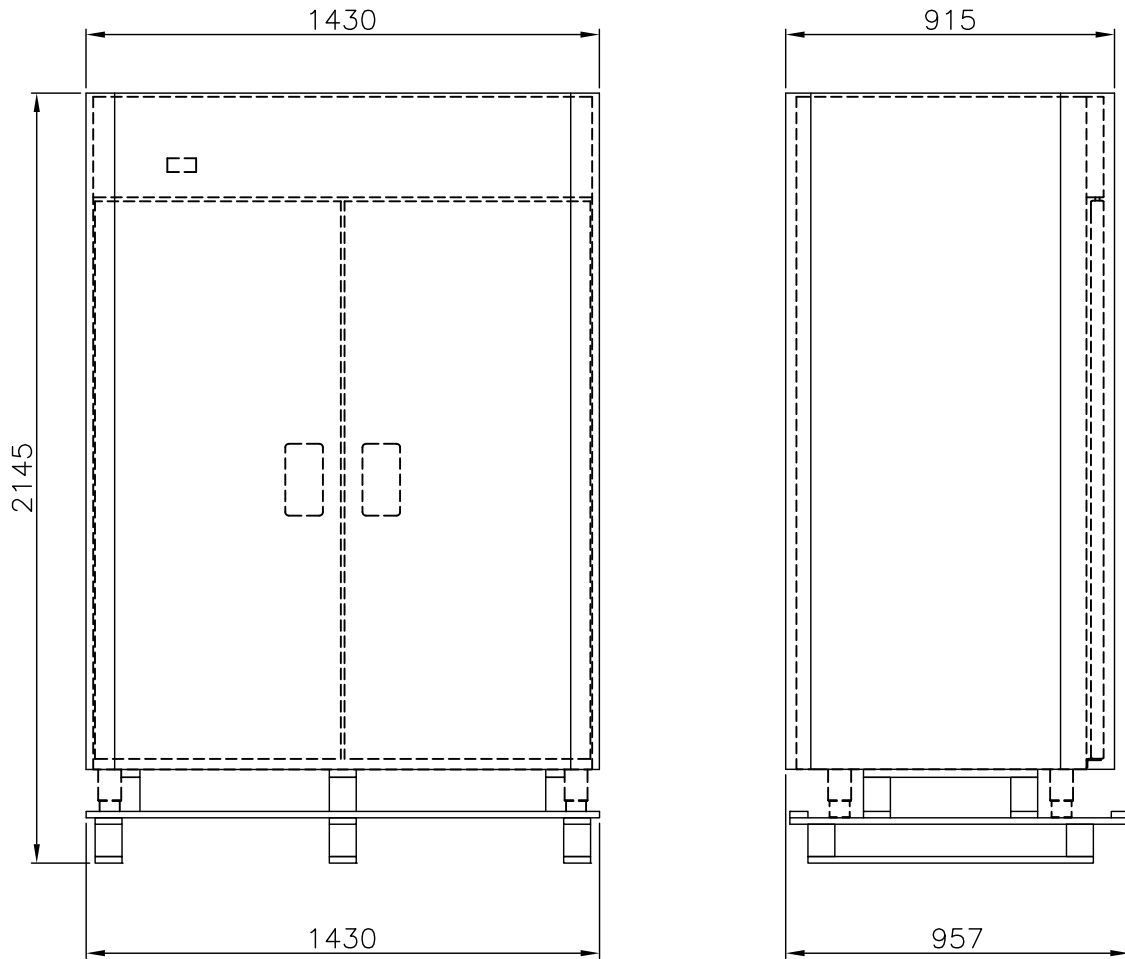
1
of 2000

Rev.

A
format

4

All rights to this drawing belongs to Gram Commercial A/S, cf. law of Copyright. Thus the drawing should not without our written permission be copied, presented or passed over to a third person. Misuse will lead to prosecution.



Revision:

Description: Dimensions Snowflake 1305

General tolerances:
 ISO 2768-1 (m)
 ISO 2768-2 (L)



© Gram Commercial A/S
 DENMARK

Date: 23-05-2013

Name: JABP

Scale 1/20

Drawing no.:

765041594

Sheet no.:

2 of 2000

Rev.

A format

4

All rights to this drawing belongs to Gram Commercial A/S, cf. law of Copyright. Thus the drawing should not without our written permission be copied, presented or passed over to a third person. Misuse will lead to prosecution.