



IC 18

LIST OF THE EXPLODED VIEWS

from s/n. 426057



SHELL ASSY

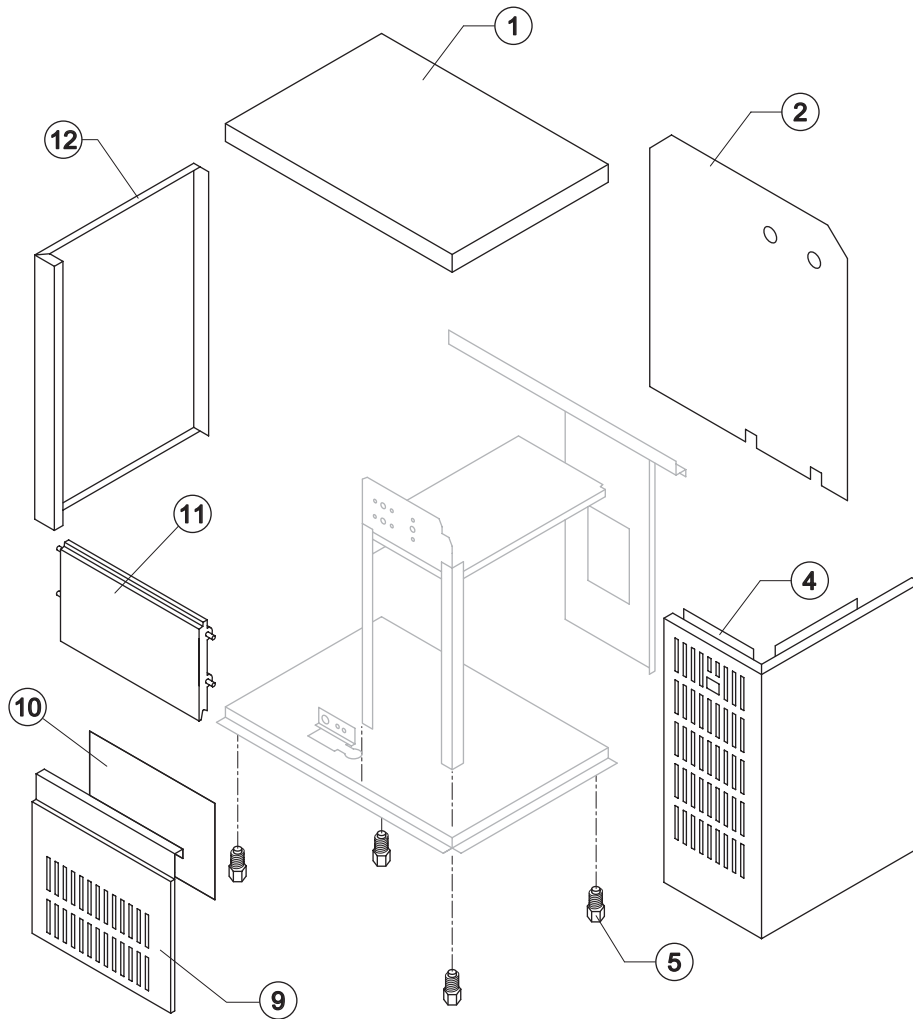
COOLING SYSTEM

HYDRAULIC CIRCUIT

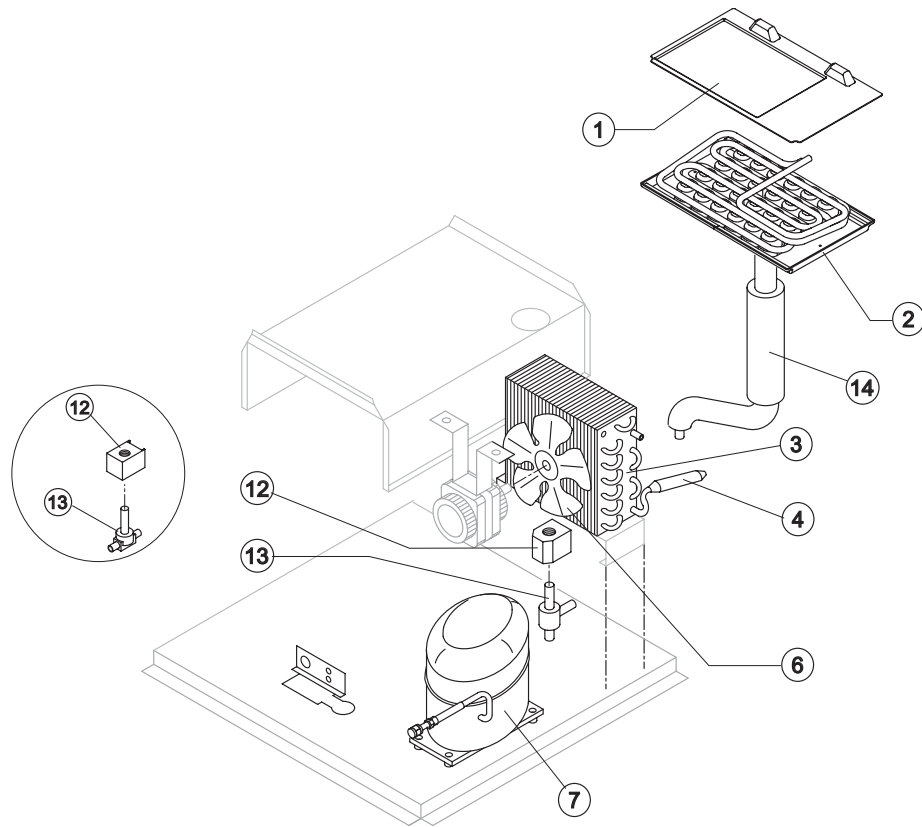
SPRAYER PUMP

ELECTRIC PARTS

Rev. 14 - 12/03/2019



Ref.	Spare Description	Code
1	Top Assembly	C22199
2	Rear Panel	21161
4	Right + Front Panel (Fan Side)	22308
5	Foot	10017
9	Front Panel	22307
10*	Filtering Panel	18106
11	Blue Door	10081
12	Left Side Panel	22309



Ref.	Spare Description	Code
1	Evaporator Cover Panel	10455
2	Evaporator	D10079
3	Air Condenser	20094
4*	Molecular Drier	14009
6	Sucking Fan	20095
7	Compressor	See Table
12*	Hot Gas Valve Coil	23854
13*	Hot Gas Valve Body	20853
14	Suctin Line	for the spare parts code give us the s/n.

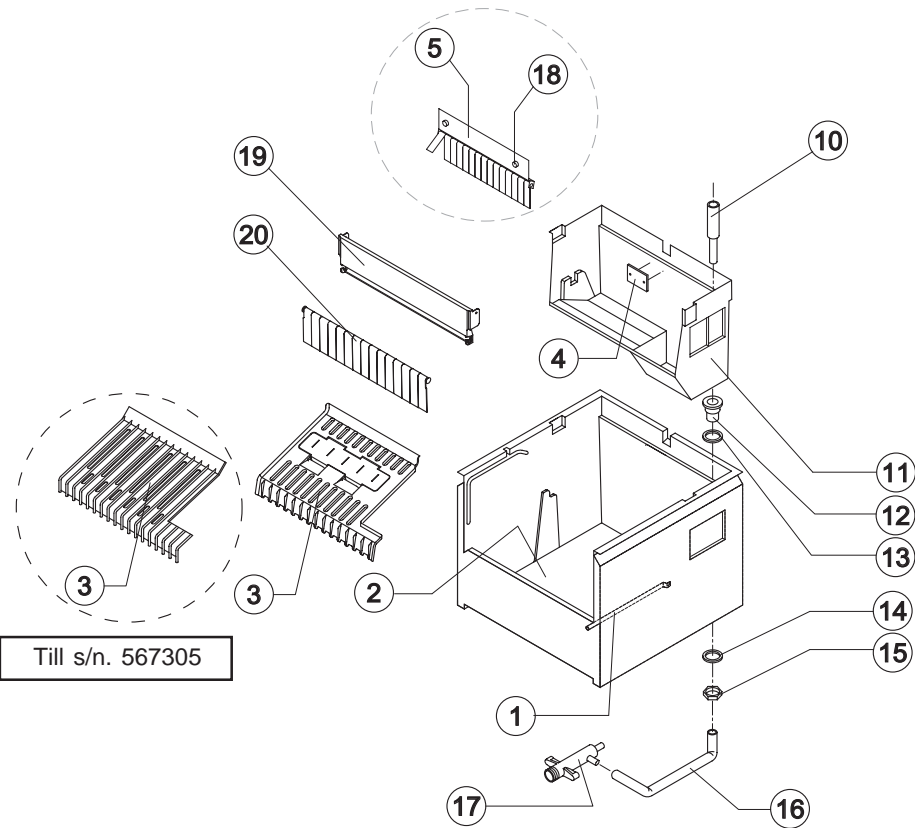
Ref. 7 - Compressor

Tension	Code
220-240V ~ 50Hz	23886
220-230V ~ 60Hz	23494A



IC 18

HYDRAULIC CIRCUIT



Ref.	Spare Description	Code
1	Bulbe-holder Pipe	20520
2	Foamed Basin	11016/E
3	Ice Cubes Slide	Current Version 10885
3	Ice Cubes Slide	Till s/n. 567305 k10626
4	Slide Keep Plate	10142
10*	Overflow Pipe	13028
11	Inner Basin	10064
12	Water Outlet Nipple	10472
13	Silicone Gasket	13219
14	Semirigid Polyethylene Gasket	13007
15	Bin Discharge Nut	10096
16	Water Discharge Pipe	13065
17	Discharge Manifold	10006
19	Flags ABS Support	Current Version 10530
20	Rod with Flags	Current Version 10532

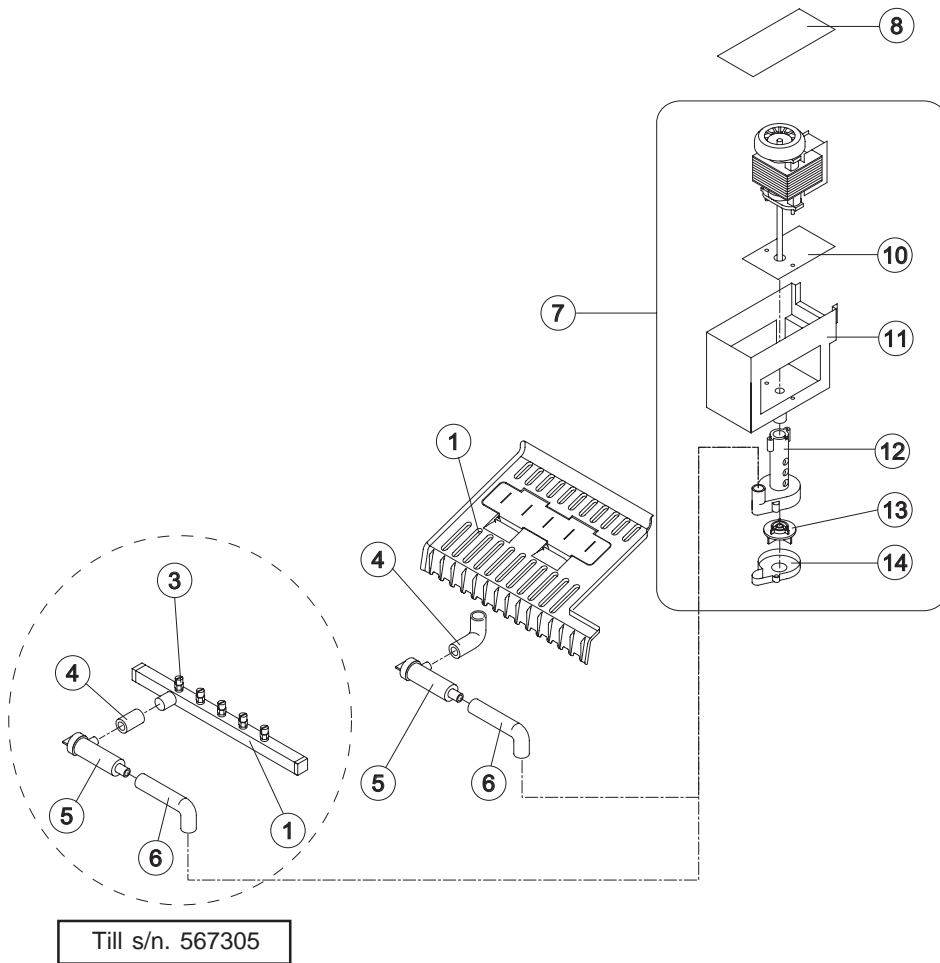
Rev. 14 - 12/03/2019



IC 18

SPRAYER PUMP

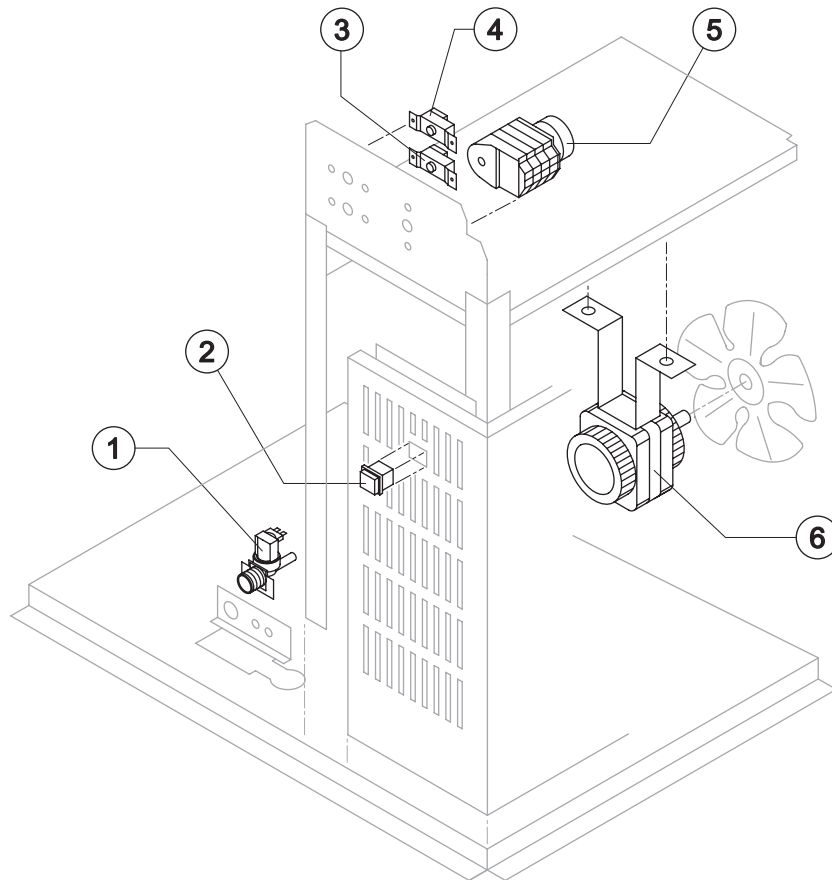
Rev. 14 - 12/03/2019



Ref.	Spare Description		Code
1*	Sprayers Bar Assembly	Current Version	10885
1*	Sprayers Bar Assembly	Till s/n. 567305	K10626
3	Sprayer	Till s/n. 567305	D20002
4	Filter-Sprayers Bar Connection Pipe	Current Version	13005
4	Filter-Sprayers Bar Connection Pipe	Till s/n. 567305	13056
5*	Pump Filter		10139
6	Pump-Filter Connection Pipe		13055
7*	Pump Assy	Current Version	See Table
8	Pump Cover		10647
10	Heat Dissipator		22430
11	Pump Motor Box		10073
12	Pump Body		10065
13	Pump Imeller		10066
14	Diffusor		10067

Ref. 7* - Pump Assy

Tension	Code
220-240V ~ 50Hz	RC23858
220-230V ~ 60Hz	C23892



Ref.	Spare Description	Code
1*	1 Way- Water Inlet Valve	23300
2*	Green Light Switch (On-Off)	23327
3*	Evaporator Thermostat	R23591
4*	Bin Thermostat	R23005
5*	Timer	See Table
6*	Fan Motor	231041

Ref. 5* - Timer

Tension	Code
220-240V ~ 50Hz	23247
220-230V ~ 60Hz	231077