



*TB 551 HC*

# LIST OF THE EXPLODED VIEWS



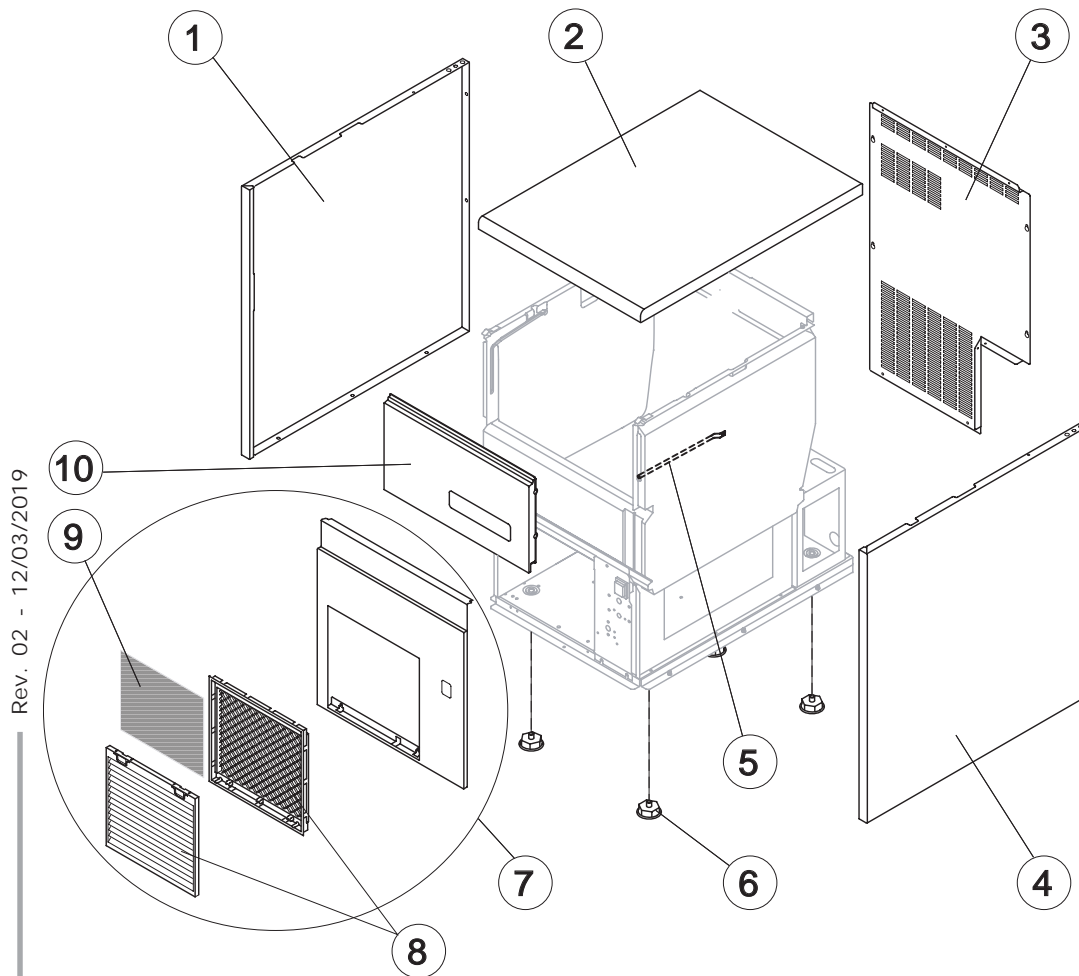
*SHELL ASSY*

*COOLING SYSTEM*

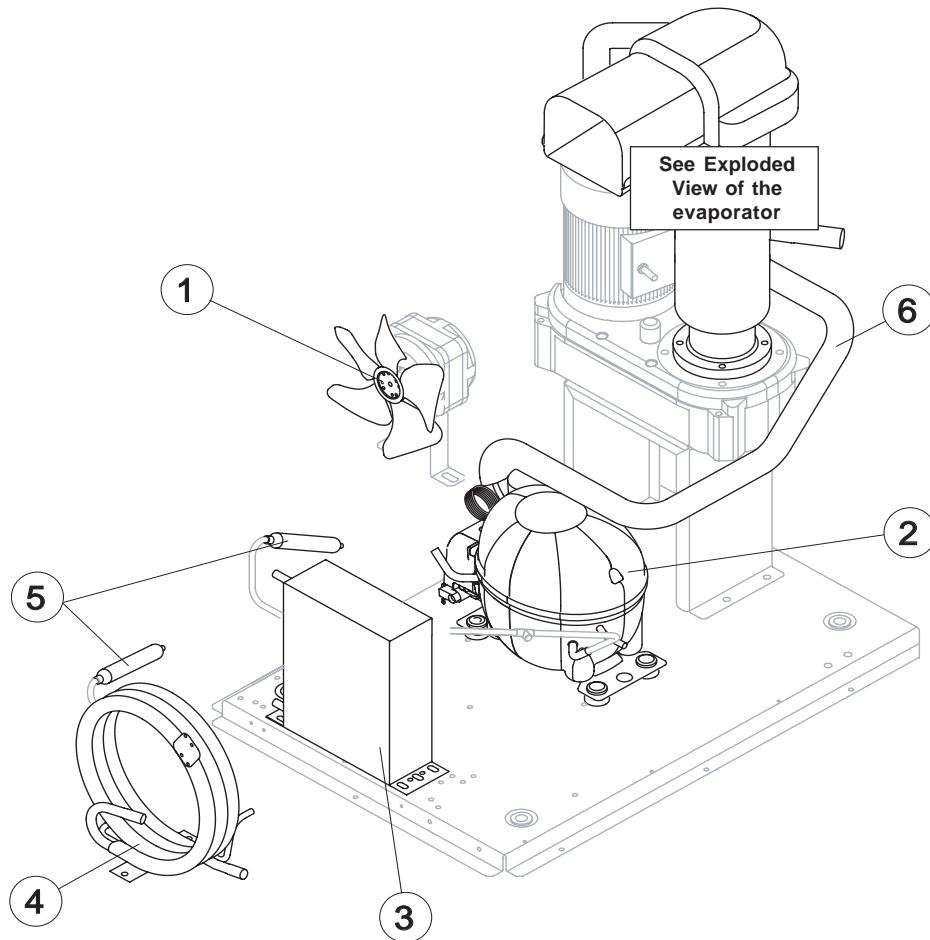
*EVAPORATOR*

*HYDRAULIC CIRCUIT*

*ELECTRIC PARTS*



Ref.	Spare Description	Code
1	Left Side Panel	C221525
2	Top Assembly	C221527
3	Rear Panel	21422
4	Right Side Panel	C221524
5	Bulbe-holder Pipe	20521
6	Foot	10557
7	Front Grid Panel	C221526
8	Frame + Grid & Filter	C10205
9*	Filtering Panel	18106
10	Door Assy	C10713



### Common Parts

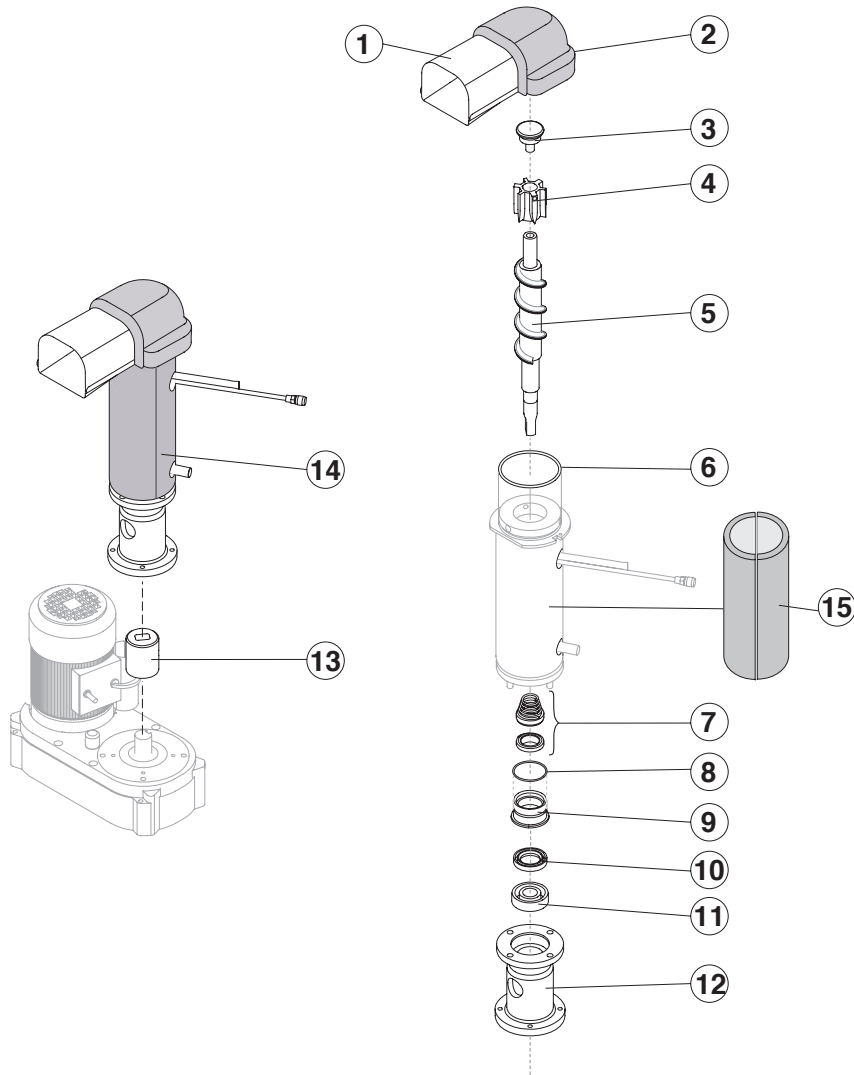
Ref.	Spare Description	Code
2	Compressor	231122
5*	Molecular Drier	14009
6	Suction Line	for the spare parts code give us the s/n.

### Parts for Air-Cooled Version Only

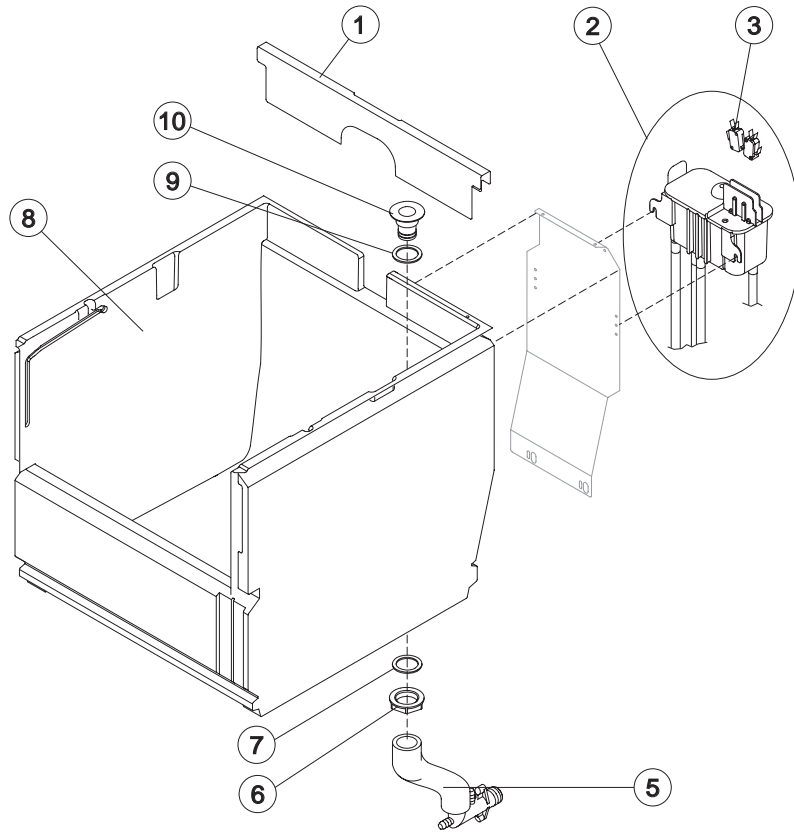
Ref.	Spare Description	Code
1	Sucking Fan	20096
3	Air Condenser	20534

### Parts for Air-Cooled Version Only

Ref.	Spare Description	Code
1	Sucking Fan	10213
4	Water Condenser	14057



Ref.	Spare Description	Code
1	Insulated Ice exhaust assembly	C10648
3	Ice Breaker	20915
4	Extruder with bearings assembly	C201001
5	Auger	201073
6	OR Gasket 3225	20987
7	Ceramic Seal	20937
8	OR Gasket 3162 NBR70	20429
9	Reduction Ring	20785
10	Seal ring	20985
11	Stainless Steel Bearing	20917
12	Flange	20916
13	Joint	D20630
14	Evaporator Assyo	C11198
15	Insulating Cap	18249



### Common Parts

Ref.	Spare Description	Code
1	Cover for Ice Exhaust	221530
2*	Double Switch Basin Assembly	C10719
3	Microswitch	23055
6	Bin Discharge Nut	10096
7	Semirigid Polyethylene Gasket	13007
8	Foamed Basin	C11201
9	Silicone Gasket	13219
10	Water Outlet Nipple	10007

### Parts for Air-Cooled Version Only

Ref.	Spare Description	Code
5	Discharges Manifold	C10728

### Parts for Water-Cooled Version Only

Ref.	Spare Description	Code
5	Discharges Manifold	C10729



### Common Parts

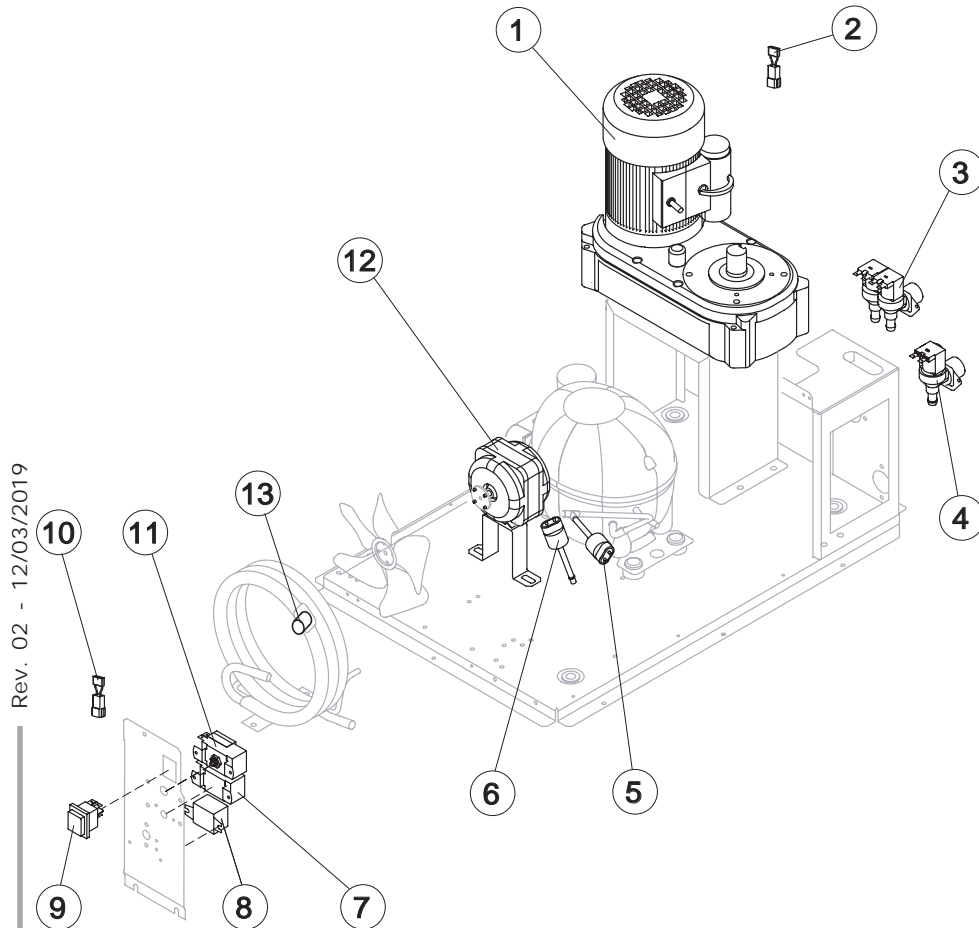
Ref.	Spare Description	Code
1	Gearmotor	231030
2	Anti Radio Interference Filter	C23457
5	Low pressure safety switch	231124
7*	Fan cycle switch	231123
8*	Relay	23190
9*	Green Light Switch (On-Off)	23327
10	Anti Radio Interference Filter	C23459
11*	Bin Thermostat	R23005

### Parts for Air-Cooled Version Only

Ref.	Spare Description	Code
4*	1 Way- Water Inlet Valve	23115
6	High pressure safety switch	231126
12*	Fan Motor	231041

### Parts for Water-Cooled Version Only

Ref.	Spare Description	Code
3*	2 Ways- Water Inlet Valve	23116
12*	Fan Motor	23029
13*	Safety Thermostat	C23114



Rev. 02 - 12/03/2019