



Modular ice maker - Pebble system Daily production up to 140 kg

| | |
|---------------|------------|
| Hotel | ██████████ |
| Restaurant | ██████████ |
| Fast food | ██████████ |
| Bar | ██████████ |
| Disco | ██████████ |
| Fish market | ██████████ |
| Supermarket | ██████████ |
| Medical & SPA | ██████████ |
| Industry | ██████████ |

► Position n°



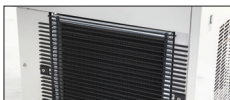
► Features & Plus

- Pebble ice - 91% dry
- 1l (water) - 1kg (ice) - only Air cooled
- AISI 304 SS Scotch Brite finish
- Tropical class +43°C
- Specific volume 1 m³ = 550 kg of ice
- Removable and cleanable air filter
- AISI 304 SS evaporator
- Air or water cooling system
- Easy cleanable internal rounded surfaces
- Dust-proof water basin
- RoHS Free
- Electromechanical operation
- ON-OFF rocker switch
- Automatic water charge
- Standard and special voltages
- Frame in INOX
- HFC Free



► Usable Bins

- Bin 240PE
- Bin 110
- Bin 200
- Roller Bin 100



Removable and cleanable air filter



AISI 304 SS evaporator



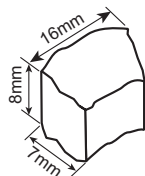
Dust-proof water basin



Frame in INOX

► Available pebble size

drawing for reference only



► Prod. 24h

| Air temp. | Water temp. | | Kg | Lbs |
|-----------|-------------|-------|-----|-----|
| | 10° C | 50° F | | |
| 10° C | 50° F | 7° C | 140 | 309 |
| 21° C | 70° F | 15° C | 130 | 287 |

2 Years Warranty
subject to limitations

► Certifications available for this model



Intertek



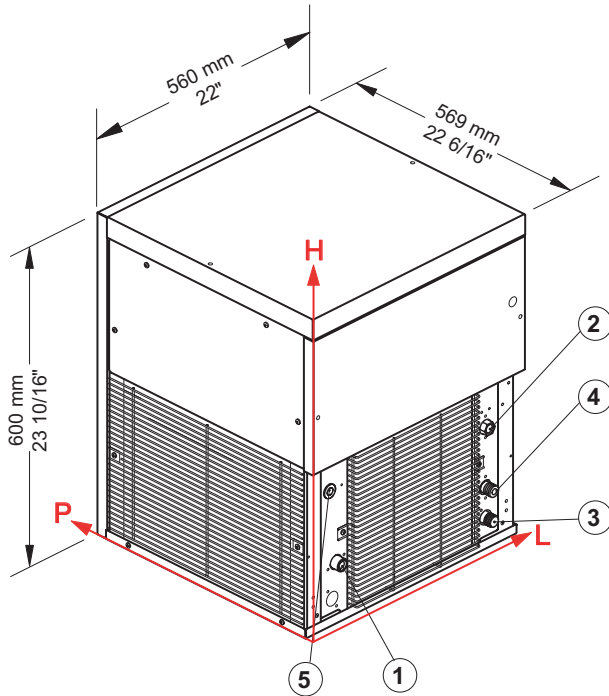


Ice Pebbles

TM 140 HC



Modular ice maker - Pebble system Daily production up to 140 kg



► Working conditions

- Location: **Indoor**

| | Min | Max |
|----------------------|-----------------|-----------------|
| Ambient temperature | +10° C / +50° F | +43° C / 110° F |
| Water temperature | +3° C / +37° F | +32° C / +90° F |
| Voltage | -10% | +10% |
| Water inlet pressure | 1bar (14 psi) | 6bar (84 psi) |

► Performances

| | Air temperature | Water temperature | | | | | |
|--|-----------------|-------------------|---------|--------|---------|--------|---------|
| | | 7° C | 45° F | 15° C | 60° F | 21° C | 70° F |
| | 10° C | 140 kg | | | | | |
| | 50° F | | 309 lbs | | | | |
| | 21° C | | | 130 kg | | | |
| | 70° F | | | | 287 lbs | | |
| | 32° C | | | | | 119 kg | |
| | 90° F | | | | | | 262 lbs |

► Connections

All measures are referred to the down-left corner (L-H-Ø)

- ① Water in.: 80,5 mm / 3 3/16" - 120 mm / 4 12/16" - 3/4"
- ② Cond. water in.: 479,5 mm / 18 14/16" - 260 mm / 10 4/16" - 3/4"
- ③ Water out.: 479,5 mm / 18 14/16" - 65 mm / 2 9/16" - 24 mm / 15/16"
- ④ Cond. water out.: 479,5 mm / 18 14/16" - 130 mm / 5 2/16" - 24 mm / 8/16"
- ⑤ Electrical connections: 67,5 mm / 2 11/16" - 290 mm / 11 7/16"
- ② ④ Only for water cooling systems

► Technical information

| | | | |
|---------------------------|-------------------|----------------------------|--|
| Production in 24h | 130 kg / 287 lbs | Water consumption | A: 1 l/kg - 12,0 gal/100 lbs W: 7,4 l/kg - 88,7 gal/100 lbs |
| Cooling system | A - W | Sizes (L-P-H mm) | 560 - 569 - 600 |
| Approximate pebble size | 8 x 16 x 7 | (L-P-H in) | 22 - 22 6/16 - 23 10/16 |
| Refrigerant | R290 | Sizes with pack (L-P-H mm) | 645 - 645 - 810 |
| Standard voltage | 220-240 V ~ 50 Hz | (L-P-H in) | 25 6/16 - 25 6/16 - 31 14/16 |
| Average power consumption | 700 W | Net weight | 63 kg / 139 lbs |
| Fuse | 10 A | Gross weight | 74 kg / 163 lbs |
| Electrical consumption | 13 kWh/100kg | Finish | AISI 304 stainless steel, scotch brite |

All the technical information need to be considered at the following conditions:

- Ambient temperature +21° C
- Water temperature +15° C
- Electrical consumption at +32° C (standard voltage)
- Average power consumption at +43° C (standard voltage)

Models and specifications are subject to change without notice

Rev. 00 - Issued March 2021



www.bremaice.it
info@bremaicegroup.it

We are Brema

