



*TM 140A HC*

# LIST OF THE EXPLODED VIEWS



*SHELL ASSY*

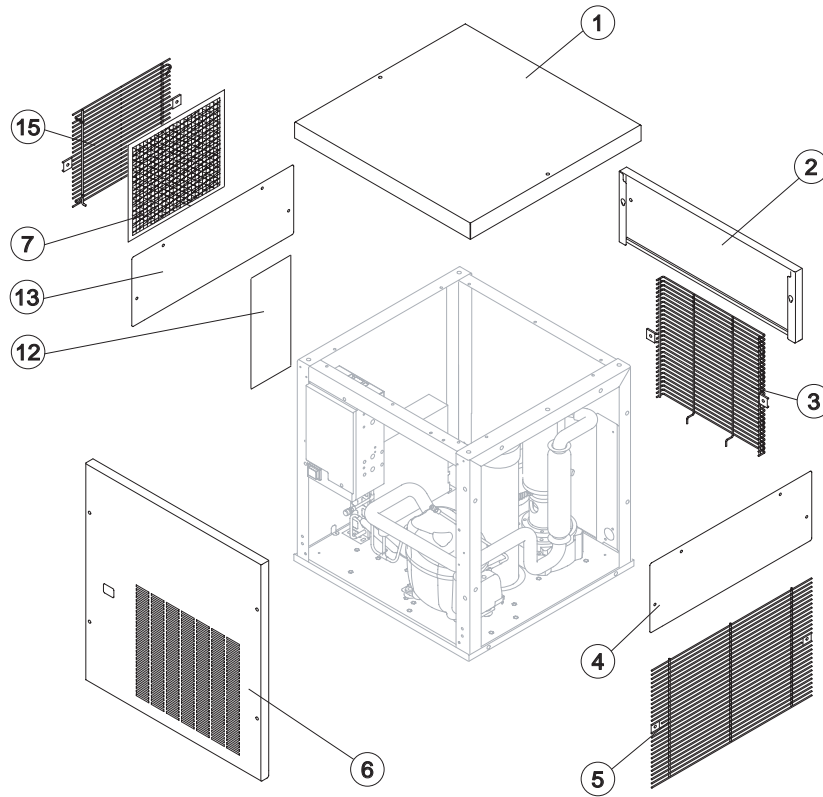
*COOLING SYSTEM*

*EVAPORATOR*

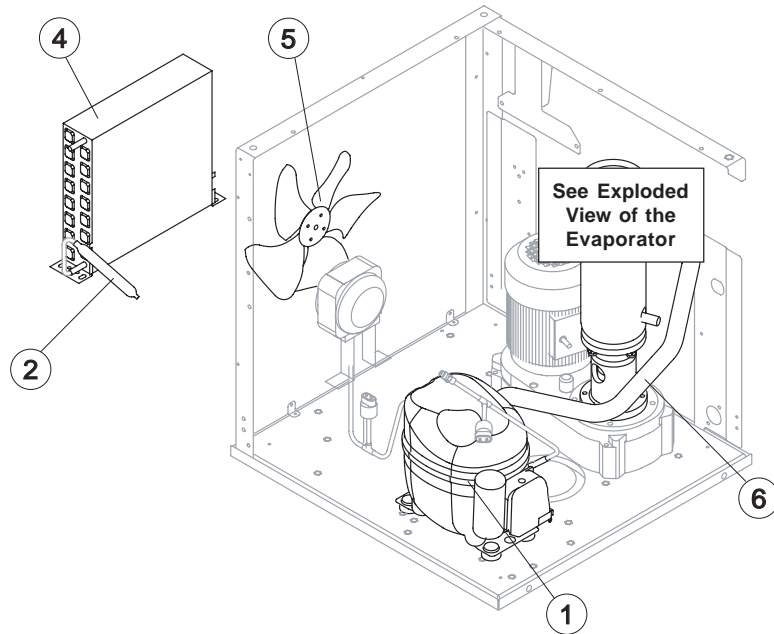
*HYDRAULIC CIRCUIT*

*ELECTRIC PARTS*

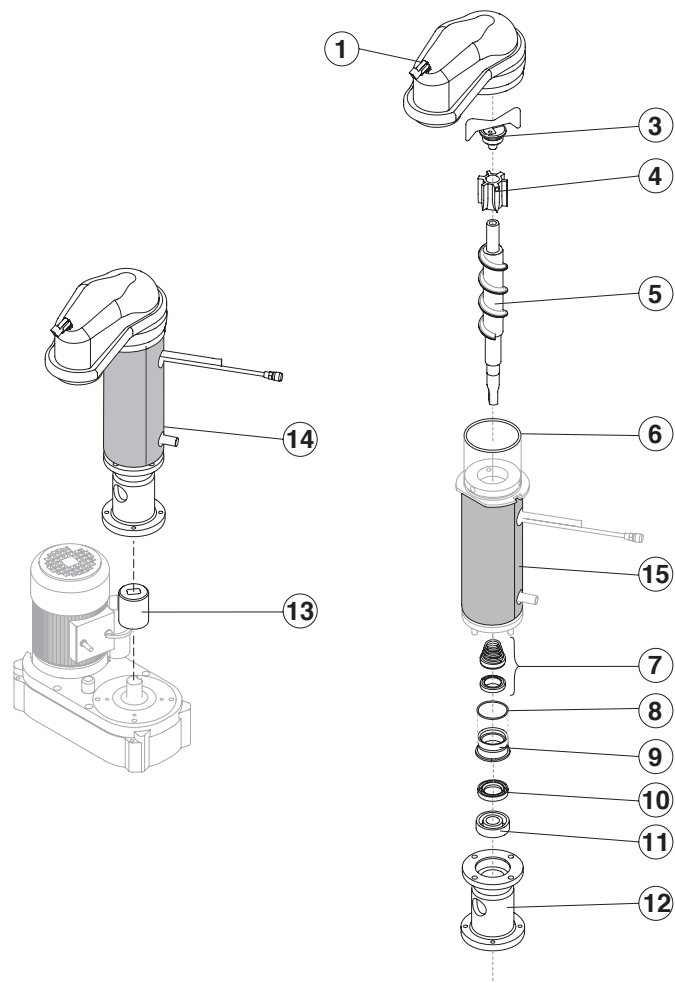
Rev. 00b - 25/05/2018



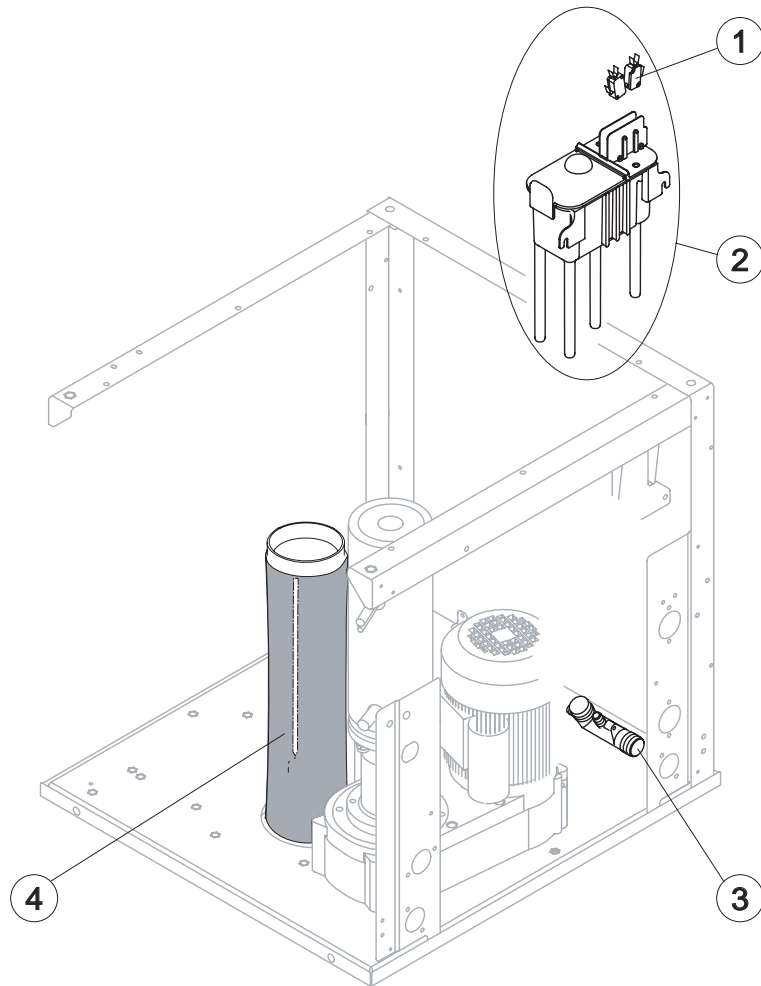
<i>Ref.</i>	<i>Spare Description</i>	<i>Code</i>
1	Top	221518
2	Back Panel	221514
3	Back Grill	D12091
4	Right Side Panel	221516
5	Right Side Grill	D12092
6	Front Panel	221512
7*	Filter	18246
12	Bottom Left Side Panel	221854
13	Left Side Panel	221516
15	Left Side Grill	D12093



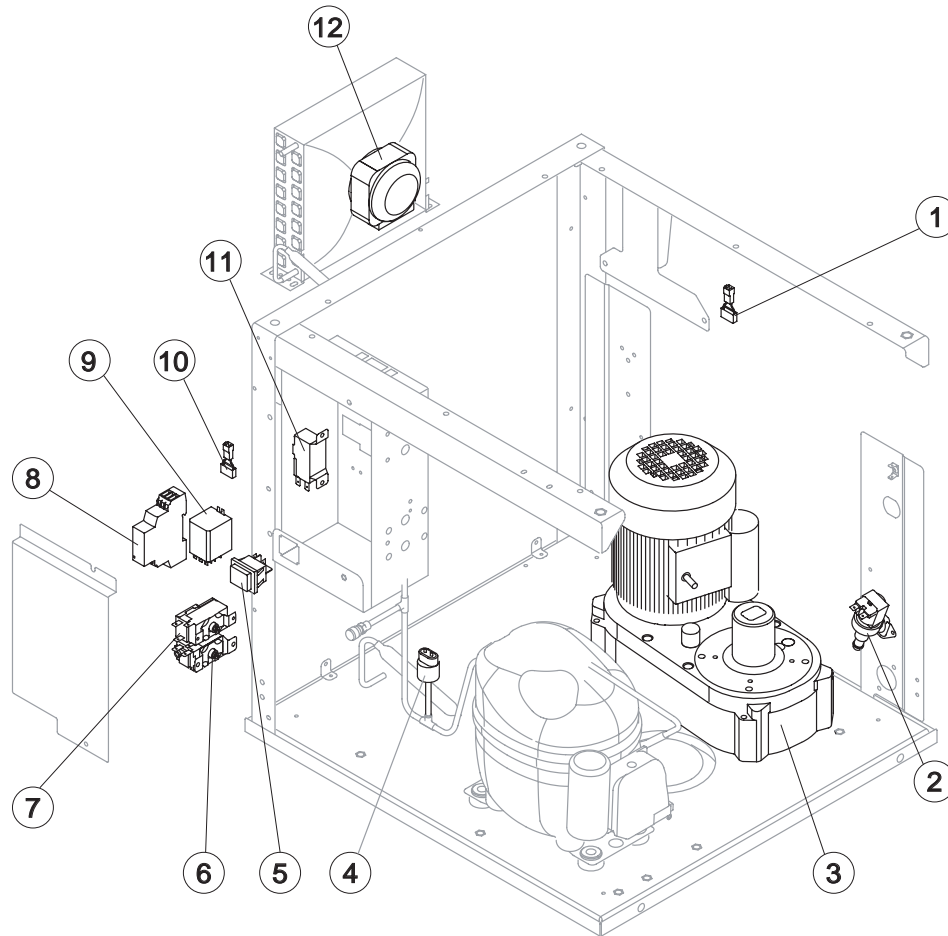
Ref.	Spare Description	Code
1	Compessore	231174
2*	Molecular Drier	14009
3	Air Condenser	201223
5	Sucking Fan	20407
6	Suctin Line	for the spare parts code give us the s/n.



Ref.	Spare Description	Code
1	Ice Exhaust assembly with micro	C11180
3	Ice Breaker	C201047
4	Extruder with bearings assembly	C201001
5	Auger	201000
6	OR Gasket 4325	20987
7	Water Seal	20937
8	OR Gasket 3162 NBR70	20429
9	Water seal retainer	20785
10	Seal Ring	20985
11	Bearing	20917
12	Foundation	20916
13	Joint	D20630
14	Evaporator Assy	C11178
15	Insulating Cap	18205



Ref.	Spare Description	Code
1	Microswitch	23055
2*	Double Switch Basin Assembly	C10684
3	Discharges Manifold	10579
4	Ice Outlet Pipe with Bin Bulb Holder	C10655



Ref.	Spare Description	Code
1	Anti Radio Interference Filter	C23457
2*	1 Way- Water Inlet Valve	23115
3	Gearmotor	231030
4	Evaporator pressure switch	231126
5*	Green Light Switch (On-Off)	23327
6*	Evaporator Thermostat	R23591
7*	Bin Thermostat	R231035
8*	Electronic Timer	231033
9*	Relay	23190
10	Anti Radio Interference Filter	C23459
11*	Condenser Pressure Switch	231123
12*	Fan Motor with Conveyor	23067