

# T-49-HC-LD

Upright Foodservice Refrigerator, 2 Full Solid Swing Doors



Dimensions	
External Width (mm)	1375
External Depth (mm)	750
External Height (mm)	2074
Exclusions	Depth does not include 13 mm for rear access panel.
Net Volume (Litres)	914
Gross Volume (Litres)	1388
Supplied Shelves	8
Shelf Size (L x D mm)	624 x 569
Internal Net Height (mm)	1300
Unpackaged Weight (kg)	194
Packaged Dimensions (W x D x H mm)	1486 x 902 2134
Supplied Supports	Ø 64 mm castors (83 mm height)

Build	
Door Description	2 Full Solid Swing Doors
Exterior Construction	Stainless steel front, aluminium sides & rear
Interior Construction	Clear coated aluminium, stainless steel base
Air Intake Position	Front
Ventilation Position	Rear
Clearance Required	26 mm rear, zero sides
Cord Length (Meters)	2.74
Internal Lighting	LED
Standard w/ Locks	standard

Technical	
Temperature Holding	0.5 : 3.3°C
Refrigerant	R290
Voltage / Frequency / Phase	220-240V/50Hz/1
Amps	2.4
Climate Class	4
Operating Statement	Regular Duty: This appliance is intended for use in ambient temperatures up to 30°C.
Testing Standard	EN 16825
EEC	D
EEl	73
kWh/24hr	4.20
kWh/Annum	1533
Defrost Type	Auto



Specifications subject to change without notice.  
Chart dimensions rounded up to the next whole millimeter (inches rounded up to the 1/8")

UK & Ireland  
Europe  
Australia

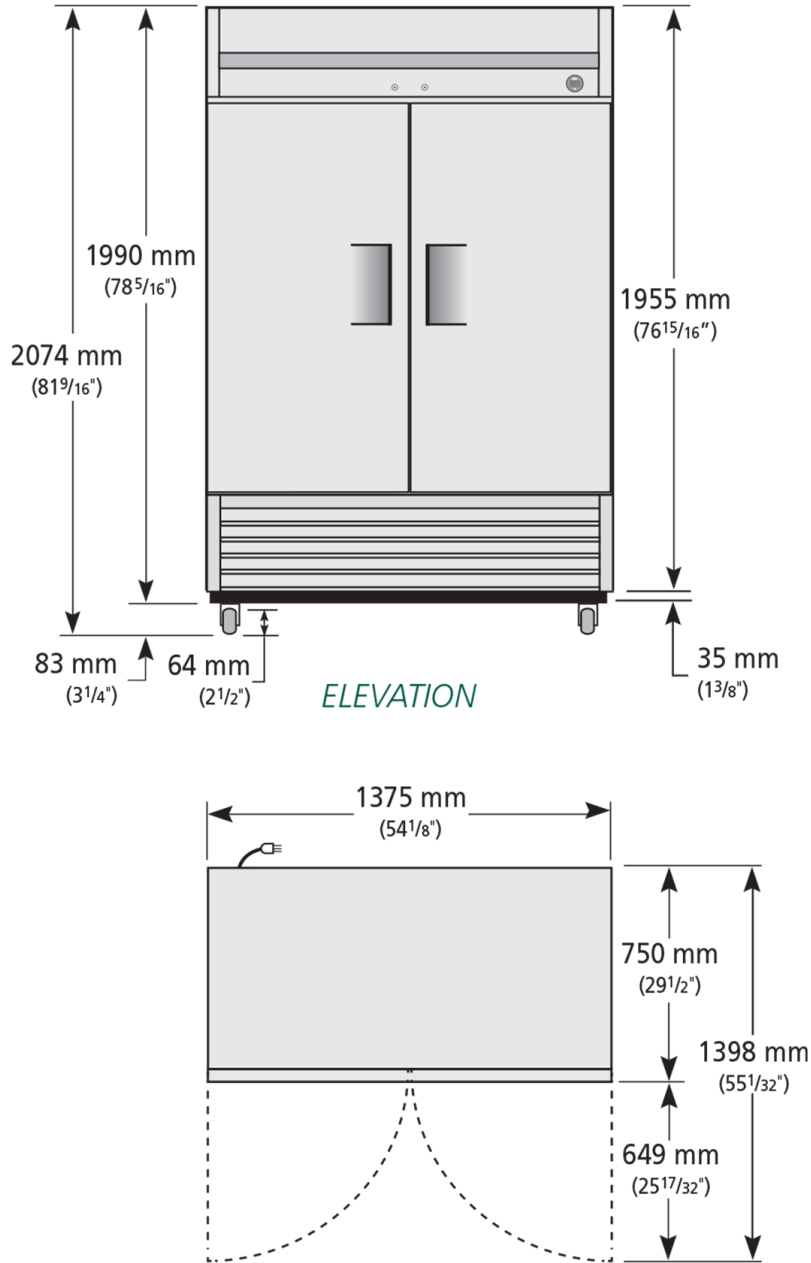
0800 783 2049  
+49 (0) 7622 6883 0  
+61 2 9619 9999

TFIUK@truemfg.com  
TrueGermCustomerService@truemfg.com  
TrueRefAus@truemfg.com



# T-49-HC-LD

Upright Foodservice Refrigerator, 2 Full Solid Swing Doors



Specifications subject to change without notice.  
Chart dimensions rounded up to the next whole millimeter (inches rounded up to the 1/8")

UK & Ireland  
Europe  
Australia

0800 783 2049  
+49 (0) 7622 6883 0  
+61 2 9619 9999

[TFIUk@truemfg.com](mailto:TFIUk@truemfg.com)  
[TrueGermCustomerService@truemfg.com](mailto:TrueGermCustomerService@truemfg.com)  
[TrueRefAus@truemfg.com](mailto:TrueRefAus@truemfg.com)

