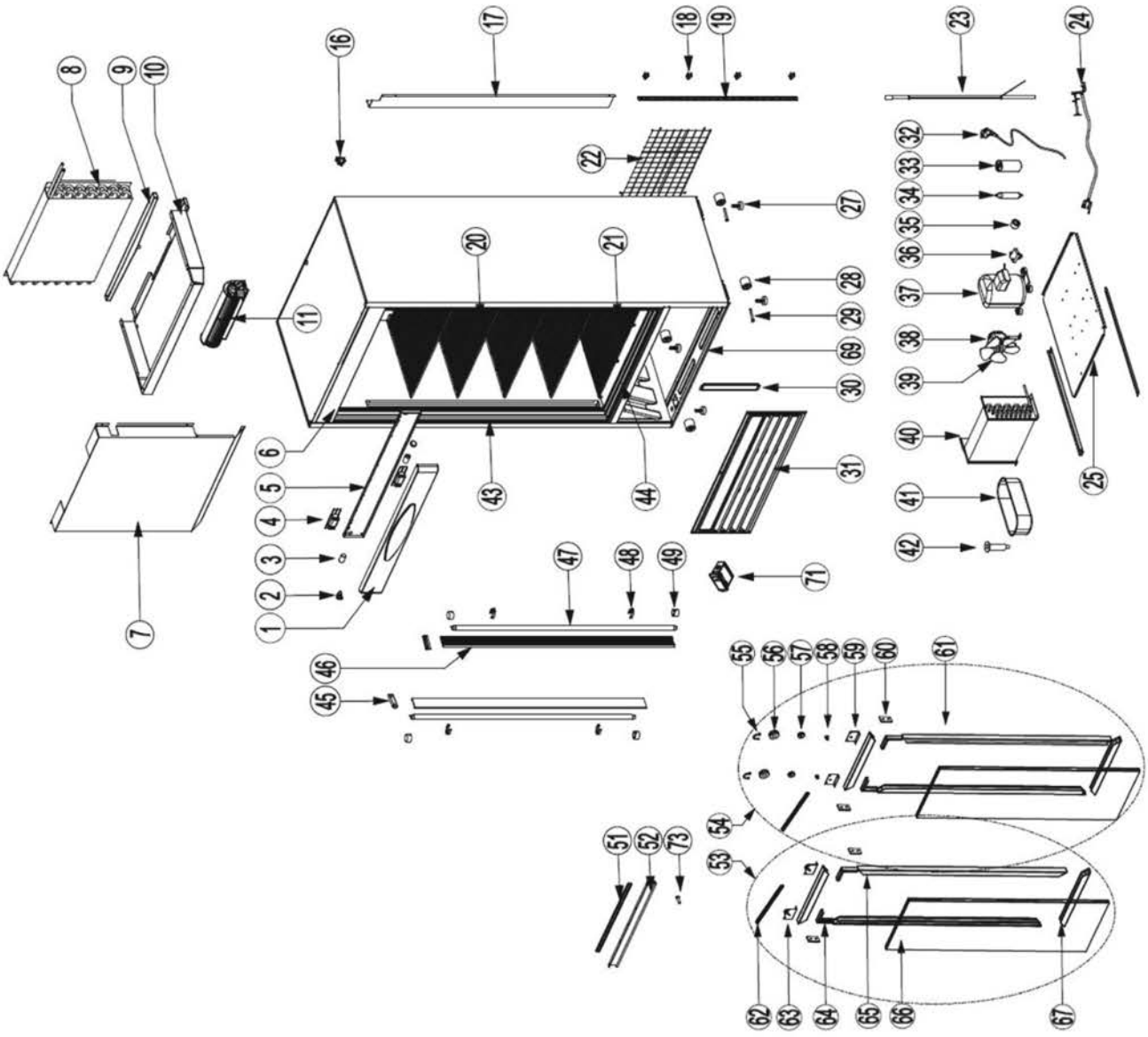


FS1200S

Date: 07-08-2013

POS.	REF. NO.	ITEM		
1	2114620127	TOP PANEL		
2	1813912008	SOCKET FOR STARTER		
3	2113912002	STARTER 4-65 W		
4	1813980006	BALLAST 36W		
5	2116000073	CONTROL PANEL SHEET		
6	2112700013	FRAME PROFILE TOP		
7	2112700014	EVAPORATOR COVER		
8	2112700075	EVAPORATOR		
9	2112700015	DRIP TRAY		
10	2112700016	FAN COVER		
11	2110708490	INTERNAL FAN 300 MM		
16	2113916040	LIGHT SWITCH		
17	2112700006	CORNER COVER		
18	2115200060	CLIP FOR SHELF		
19	2115200246	RAIL FOR SHELVES		
20	2115200244	WIRE SHELF		
21	2115200262	BOTTOM WIRE SHELF		
22	2115200242	REAR GRILL		
27	2114610192	ADJUSTABLE FOOT		
28	1014610071	BIG ROLLER		
29	1014610072	PIN FOR BIG ROLLER		
31	2114620103	LOUVERED PLATE		
34	1723000020	DRIER 50G		
37	2122400183	COMPRESSOR COMPLETE NE6187Z		
38	1713700071	FAN MOTOR FOR CONDENSER 65W		
39	1713700207	FAN BLADE 25 CM (CONDENSER)		
40	2112800090	CONDENSER		
41	2112700007	WATER BOX		
42	2112700008	DRAIN HOSE		
43	2112700001	FRAME PROFILE SIDE		
44	2112700017	FRAME PROFILE BOTTOM		
45	2114618020	PLASTIC CORNER FOR LIGHT COVER		
46	2112700009	VERTICAL LIGHT COVER		
47	1813920004	FLUORESCENT TUBE 36W		
48	2112700010	FLUORESCENT TUBE HOLDER		
49	2112700011	SOCKET FOR FLUORESCENT TUBE		
52	2116000071	DOOR RAMP		
53	2110708489	DOOR LEFT		
54	2110708488	DOOR RIGHT		
55	2116000075	CIRCLIP FOR ROLLERS		
56	2116000069	DOOR ROLLER		
57	2116000074	BEARING FOR SLIDING DOORS		
57A	2116000076	SPACER FOR ROLLER		
58	2116000077	SHAFT FOR ROLLER		
59	2116000078	DOOR BRACKET FOR ROLLERS RIGHT		
62	2114300064	DOOR SPRING		
63	2112700012	DOOR BRACKET FOR ROLLERS LEFT		
71	7110000399	THERMOSTAT XR60C, 20 A RELAY		
71A	7110000397	PROBE XR20/XR60		



Explodede FS1200S

130731