

# LINEA SUPREME

## TAVOLI REFRIGERATI

## REFRIGERATED COUNTERS

## KÜHLTISCHE

## TABLES REFRIGÉRÉES

**-2°C+8°C -18°C-21°C**

**KST VCR 01/02/03/04**

**KST 01/02/03/04**

**KST VCR BT 01/02/03**

**KST 01/02/03**



## PARTI DI RICAMBIO

UNITA REFRIGERATA	<b>I</b>	2
COMPONENTI EVAPORATORE		3
TERMOSTATO		3
COMPONENTI PORTA		4
ACCESSORI INTERNI		5
CASSETTIERE		6
PARTI GENERALI		8

## SPARE PARTS

REFRIGERATION UNIT	<b>GB</b>	2
EVAPORATOR		3
THERMOSTAT		3
DOORS COMPONENTS		4
INTERNAL ACCESSORIES		5
DRAWERS		6
GENERAL PARTS		8

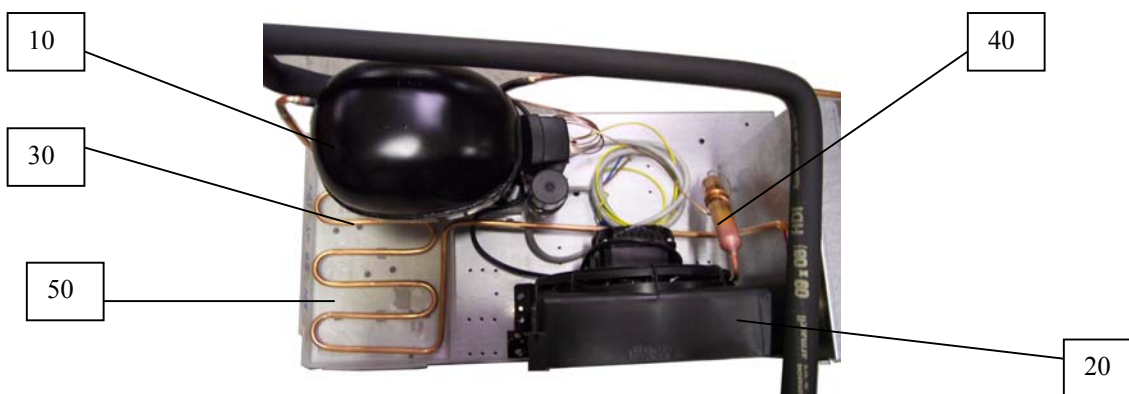
## ERSATZTEILE

KÜHLMITTEL EINHEIT	<b>D</b>	2
VERDAMPFER		3
THERMOSTAT		3
TÜR		4
ZUBEHÖRE		5
SCHUBLADEN		6
ALLGEMEIN TEIL		8

## PIECES DETACHEES

GROUPE REFRIGERE	<b>F</b>	2
VAPORATEUR		3
THERMOSTAT		3
COMPOSANTS PORTE		4
ACCESSOIRES		5
TIROIRS		6
PIECES DETACHEES GENERALES		8

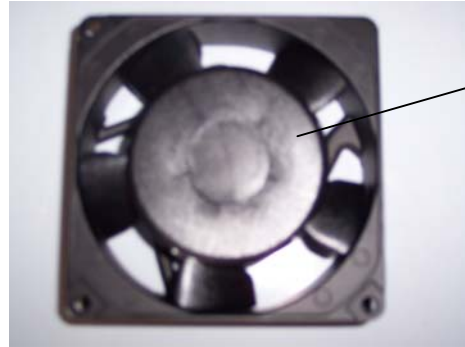
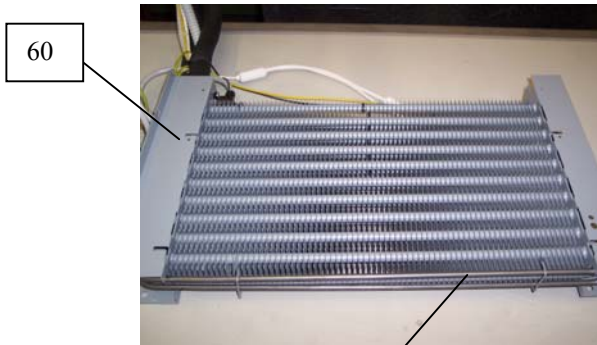
**UNITÀ REFRIGERATA**  
**REFRIGERATION UNIT**  
**KÜHLMITTEL EINHEIT**  
**GROUPE REFRIGERE**



ID	Codice Code Code Code	Modello Model Modell Modèle	Tipo Type Typ	Descrizione Description Beschreibung Description
10	141552210610	KST TN VCR KST TN	01	Compressore Compressor Kompressor Compresseur
10	141552210730	KST TN VCR KST TN	02	Compressore Compressor Kompressor Compresseur
10	141552210840	KST TN VCR KST TN	03	Compressore Compressor Kompressor Compresseur
10	141552211000	KST TN VCR KST TN	04	Compressore Compressor Kompressor Compresseur
10	141555100050	KST BT VCR KST BT	01	Compressore Compressor Kompressor Compresseur
10	141555100055	KST BT VCR KST BT	02	Compressore Compressor Kompressor Compresseur
10	141555100060	KST BT VCR KST BT	03	Compressore Compressor Kompressor Compresseur
20	141622800016	KST TN VCR KST TN	01-02	Condensatore Condenser Luftverflüssiger Condenseur à air

ID	Codice Code Kode Code	Modello Model Modell Modèle	Tipo Type Typ	Descrizione Description Beschreibung Description
20	141622800026	KST TN VCR KST TN	03-04	Condensatore Condenser Luftverflüssiger Condenseur à air
20	141622800018	KST BT VCR	01-02	Condensatore Condenser Luftverflüssiger Condenseur à air
20	141622800026	KST BT	01-02	Condensatore Condenser Luftverflüssiger Condenseur à air
20	141622800020	KST BT VCR KST BT	03-04	Condensatore Condenser Luftverflüssiger Condenseur à air
30	1492081100120	KST TN VCR KST BT VCR	01-02-03-04	Tubo serpentina Coil
30	1492081100100	KST BT KST TN	01-02-03-04	Tubo serpentina Coil
40	14354008	KST TN VCR	01-02-03-04	Asieme Filtro Filter
40	14354009	KST BT	01-02	Asieme Filtro Filter
40	1435060014001	KST BT	03	Asieme Filtro Filter
40	14354009	KST TN	01-02-03-04	Asieme Filtro Filter
40	14354008	KST VCR BT	01-02-03-04	Asieme Filtro Filter
50	1405020084	KST TN KST BT KST VCR TN KST VCR BT	01-02-03-04	Bacinella autoevaporante Container Behälter Bac

**COMPONENTI EVAPORATORE  
EVAPORATOR  
VERDAMPFER  
EVAPORATEUR**



ID	Codice Code Kode Code	Modello Model Modell Modèle	Tipo Type	Descrizione Description Beschreibung Description
60	14330210192	KST TN KST VCR TN	01/02/03/04	Evaporatore Evaporator Lufter Verdampfer Ventilateur evaporateur
60	14330210194	KST BT KST VCR BT	01/02/03	Evaporatore Evaporator Lufter Verdampfer Ventilateur evaporateur
70	1648110150	KST TN KST VCR TN	01/02/03/04	Ventilatore Fan Ventilator Ventilateur
70	1648110155	KST BT KST VCR BT	01/02/03	Ventilatore Fan Ventilator Ventilateur
80	1666303	KST BT KST VCR BT	01/02/03/04	Resistenza Heater Widerstand Resistance
80	1666151	KST TN KST VCR TN	01/02/03/04	Resistenza Heater Widerstand Resistance

**TERMOSTATO  
THERMOSTAT  
THERMOSTAT  
THERMOSTAT**



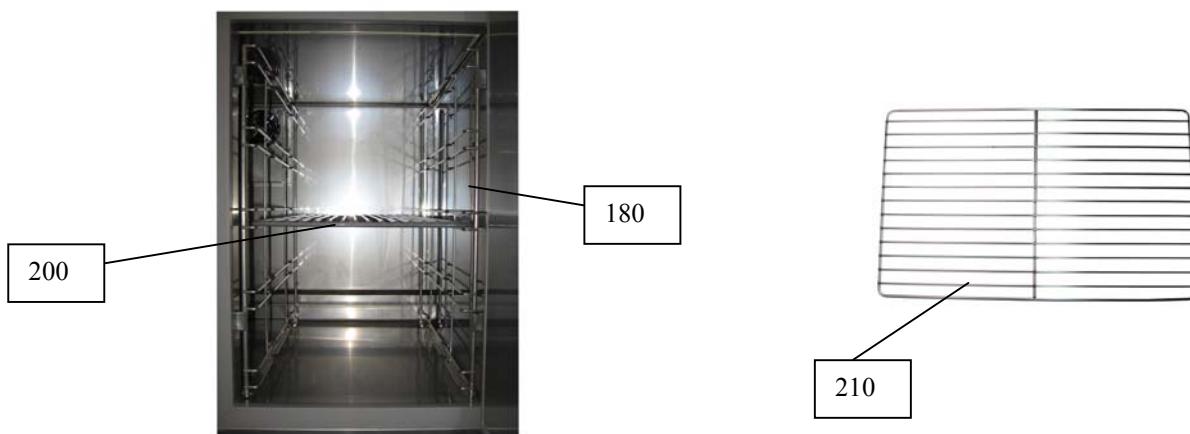
ID	Codice Code Code Code	Modello Model Modell Modèle	Tipo Type	Descrizione Description Beschreibung Description
100	16815101	KSTP VCR TN KSTP VCR BT KSTP TN KSTP BT	01-02-03-04	Termostato Thermostat Thermostat Thermostat
110	16815100	KST VCR TN KST VCR BT KST TN KST BT	01-02-03-04	Termostato Thermostat Thermostat Thermostat

**COMPONENTI PORTA**  
**DOORS COMPONENTS**  
**TÜR**  
**COMPOSANTS PORTE**



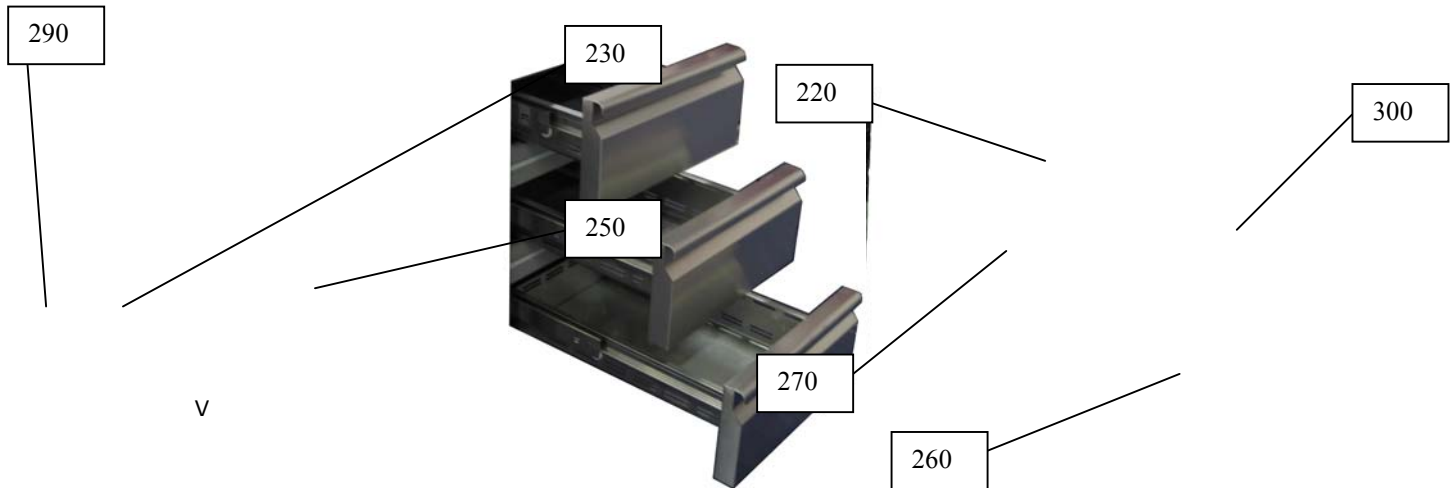
ID	Codice Code Code Code	Modello Model Modell Modèle	Tipo Type	Descrizione Description Beschreibung Description
<b>120</b>	32633052	KST TN VCR KST TN KST BT VCR KST BT	01-02-03-04 01-02-03-04	Porta sinistra Left door Tür Link Porte gauche
<b>130</b>	32633051	KST TN VCR KST TN KST BT VCR KST BT	01-02-03-04 01-02-03-04	Porta destra Right door Tür Recht Porte droite
<b>140</b>	14414300569	KST TN VCR KST TN KST BT VCR KST BT	01-02-03-04 01-02-03-04	Guarnizione porta Door gasket Tür-Dichtung Joint de la porte
<b>150</b>	32213057	KST TN VCR KST TN KST BT VCR KST BT	01-02-03-04 01-02-03-04	Cerniera inferiore sinistra Left lower hinge Unteres Scharnier Link Charnière inférieure gauche
<b>160</b>	32213056	KST TN VCR KST TN KST BT VCR KST BT	01-02-03-04 01-02-03-04	Cerniera inferiore destra Right lower hinge Unteres Scharnier Recht Charnière inférieure droite
<b>170</b>	1412262	KST TN VCR KST TN KST BT VCR KST BT	01-02-03-04 01-02-03-04	Cerniera superiore Right upper Unteres Scharnier Recht Charnière i superieure

**ACCESSORI INTERNI  
INTERNAL ACCESSORIES  
ZUBEHORE  
ACCESSOIRES**



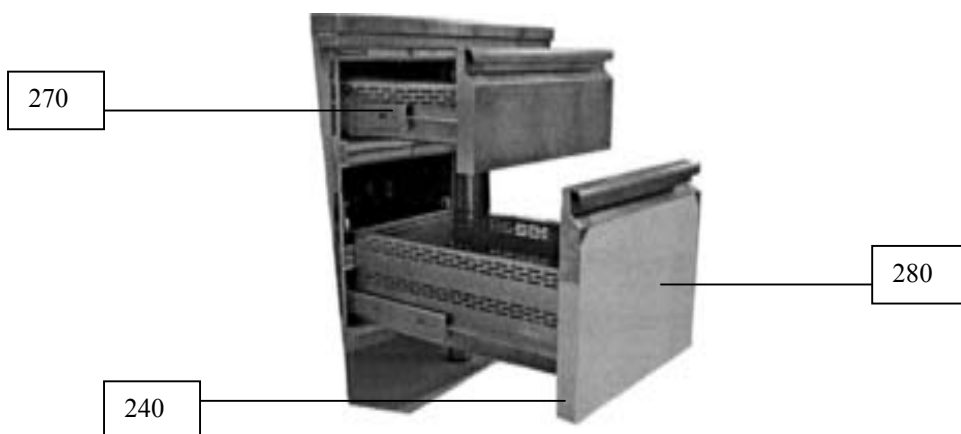
ID	Codice Code Code Code	Modello Model Modell Modèle	Tipo Type	Descrizione Description Beschreibung Description
180	1440087	KST TN KST VCR TN KST BT KST VCR BT	01-02-03-04 01-02-03-04	Telaio supporto 5 griglie destra 5 Grids r/h support frame
190	1440086	KST TN KST VCR TN KST BT KST VCR BT	01-02-03-04 01-02-03-04	Telaio supporto 5 griglie sinistra 5 Grids l/h support frame
200	1440053325	KST TN KST VCR TN KST BT KST VCR BT	01-02-03-04 01-02-03-04	Griglia 530x325 mm Grill 530x325 mm Gitter 530x325 mm Grille 530x325 mm
210	1440153325	KST TN KST VCR TN KST BT KST VCR BT	01-02-03-04 01-02-03-04	Griglia AISI 304 18/10 530X325 Grill AISI 304 18/10 530X325mm Gitter AISI 304 18/10 530X325mm Grille AISI 304 18/10 530x325mm

**CASSETTIERE  
DRAWERS  
SCHUBLADEN  
TIROIRS**



2 cassetti  
2 drawers  
2 Schubladen  
2 tiroirs

3 cassetti  
3 drawers  
3 Schubladen  
3 tiroirs



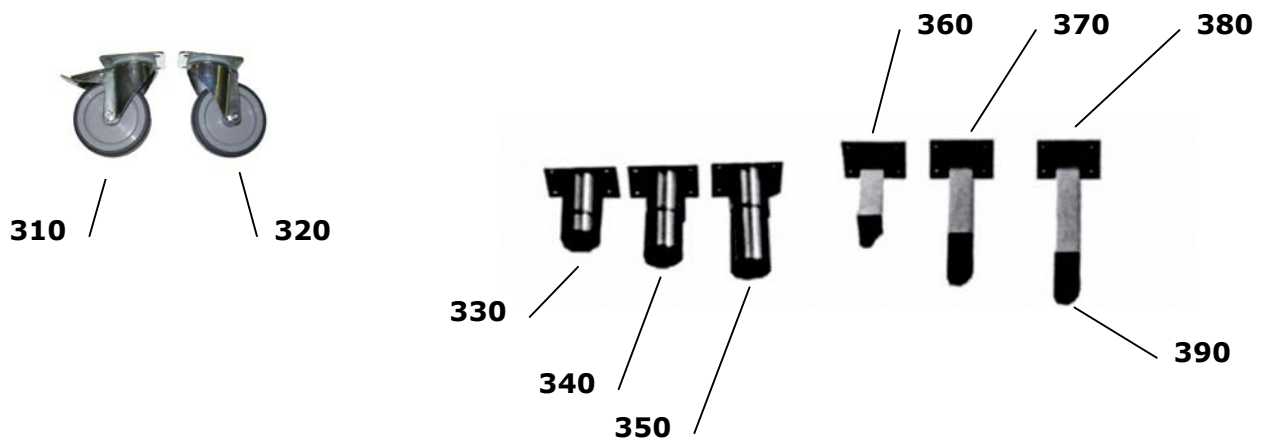
1 cassetto + 1 bottigliera  
1 drawer + 1 bottle cooler  
1 Schublade + 1 Flaschenzelle  
1 tiroir + 1 porte-bouteilles



**CASSETTIERE  
DRAWERS  
SCHUBLADEN  
TIROIRS**

ID	Codice Code Kode Code	Modello Model Modell Modèle	Tipo Type	Descrizione Description Beschreibung Description
220	14414300149	KST TN KST VCR TN KST BT KST VCR BT	01-02-03-04 01-02-03-04	Guarnizione 383x149 cassetto 1/3 Seal 383x149 for drawer 1/3 Dichtung 383x149 für Schublade 1/3 Joint 383x149 pour tiroir 1/3
230	14414300254	KST TN KST VCR TN KST BT KST VCR BT	01-02-03-04 01-02-03-04	Guarnizione 383x254 cassetto 1/2 Seal 383x254 for drawer 1/2 Dichtung 383x254 für Schublade 1/2 Joint 383x254 pour tiroir 1/2
240	14414300359	KST TN KST VCR TN KST BT KST VCR BT	01-02-03-04 01-02-03-04	Guarnizione 383x359 cassetto 2/3 Seal 383x359 for drawer 2/3 Dichtung 383x359 für Schublade 2/3 Joint 383x359 pour tiroir 2/3
250	32533052	KST TN KST VCR TN KST BT KST VCR BT	01-02-03-04 01-02-03-04	Involucro cassetto 1/2 1/2 Drawer frame Rahmen der Schubladenwanne 1/2 <b>TRADUZIONE</b>
260	32533053	KST TN KST VCR TN KST BT KST VCR BT	01-02-03-04 01-02-03-04	Involucro cassetto 1/3 1/3 Drawer frame Rahmen der Schubladenwanne 1/3 <b>TRADUZIONE</b>
270	144906	KST TN KST VCR TN KST BT KST VCR BT	01-02-03-04 01-02-03-04	Coppia guida telescopica Pair of telescopic guides Teleskopschiene Glissieres telescopiques
280	32243051	KST TN KST VCR TN KST BT KST VCR BT	01-02-03-04 01-02-03-04	Bombato cassetto 2/3 2/3 Front drawer Schubladenblende 2/3 Tiroir 2/3, piece frontal
290	32243052	KST TN KST VCR TN KST BT KST VCR BT	01-02-03-04 01-02-03-04	Bombato cassetto 1/2 ½ Front drawer Schubladenblende 1/2 Tiroir 1/2, piece frontal
300	32243053	KST TN KST VCR TN KST BT KST VCR BT	01-02-03-04 01-02-03-04	Bombato cassetto 1/3 1/3 Front drawer Schubladenblende 1/3 Tiroir 1/3, piece frontal

**PARTI GENERALI  
GENERAL PARTS  
ALLGEMEIN TEIL  
PIECES DETACHEES GENERALES**



ID	Codice Code Code Code	Modello Model Modell Modèle	Tipo Type	Descrizione Description Beschreibung Description
310	147824	KST VCR TN KST TN KST BT KST VCR BT	01-02-03-04 01-02-03-04	Ruota 125 con freno Caster 125 with brake Rad 125 mit Bremse Roue 125 avec frein
320	147823	KST TN KST VCR TN KST BT KST VCR BT	01-02-03-04 01-02-03-04	Ruota 125 senza freno Caster 125 without brake Rad 125 ohne Bremse Roue 125 sans frein
330	1467504	KST TN KST VCR TN KST BT KST VCR BT	01-02-03-04 01-02-03-04	Piedino tondo 100 Round foot 100 Rundfuß 100 Pied rond 100
340	1467506	KST TN KST VCR TN KST BT KST VCR BT	01-02-03-04 01-02-03-04	Piedino tondo 125 Round foot 125 Rundfuß 125 Pied rond 125
350	1467509	KST TN KST VCR TN KST BT KST VCR BT	01-02-03-04 01-02-03-04	Piedino tondo 145 Round foot 145 Rundfuß 145 Pied rond 145
360	1467522	KST TN KST VCR TN KST BT KST VCR BT	01-02-03-04 01-02-03-04	Piedino quadrato 160 Square foot 160 Quadratischem Fuß 160 Pied carré 160
370	1467524	KST TN KST VCR TN KST BT KST VCR BT	01-02-03-04 01-02-03-04	Piedino quadrato 180 Square foot 180 Quadratischem Fuß 180 Pied carré 180
380	1467526	KST TN KST VCR TN KST BT KST VCR BT	01-02-03-04 01-02-03-04	Piedino quadrato 200 Square foot 200 Quadratischem Fuß 200 Pied carré 200
390	1467008	KST TN KST VCR TN KST BT KST VCR BT	01-02-03-04 01-02-03-04	Piedino ad inserto termoplastico Leg Fuß mit Kunststoffeinsatz Pied avec insertion en plastique