

Spare parts
Superior Euro K/M/F 62 G

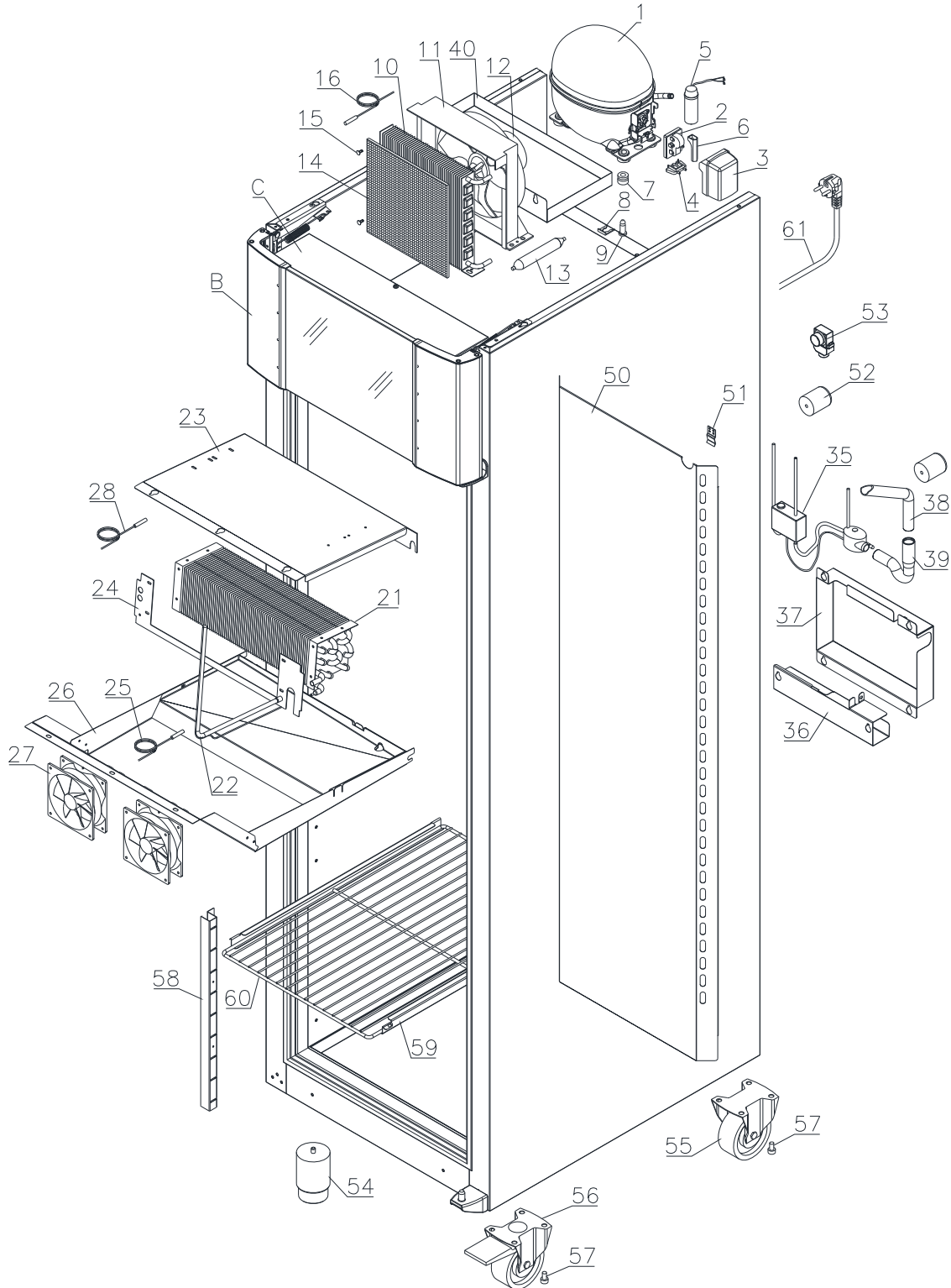


Description :

Spare parts list
Superior Euro K/M/F 62 G (R600a/R290)

Compiled.		Latest revision.			Deleted.	
Date	Name	Date	Name	Rev.no	Date	Name
27.02.15	JP	07.12.15	JP	003		

A. K 62 Cabinet / refrigeration system

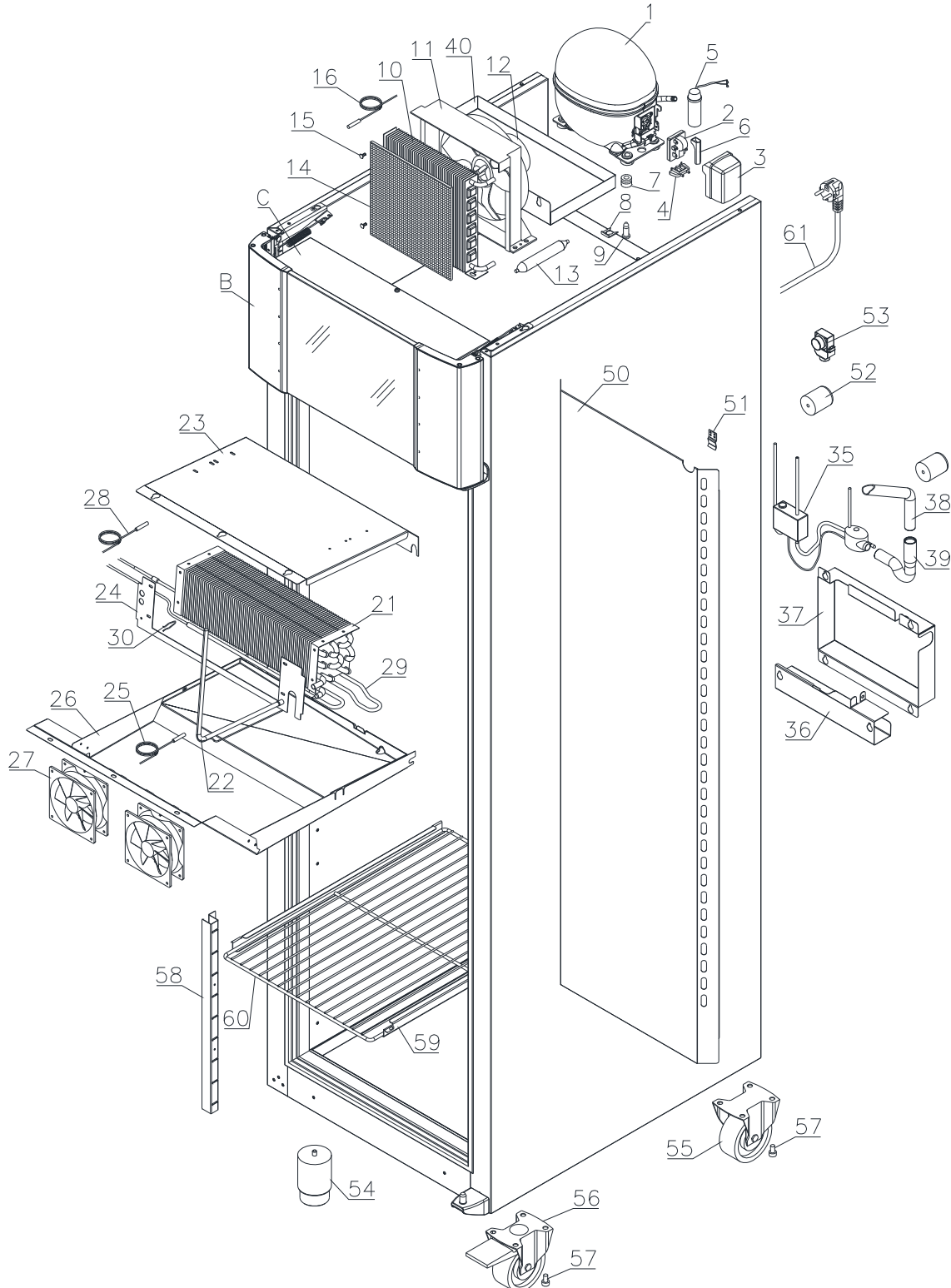


Description :

Spare parts list
Superior Euro K/M/F 62 G (R600a/R290)

Compiled.		Latest revision.			Deleted.	
Date	Name	Date	Name	Rev.no	Date	Name
27.02.15	JP	07.12.15	JP	003		

A. M 62 Cabinet / refrigeration system

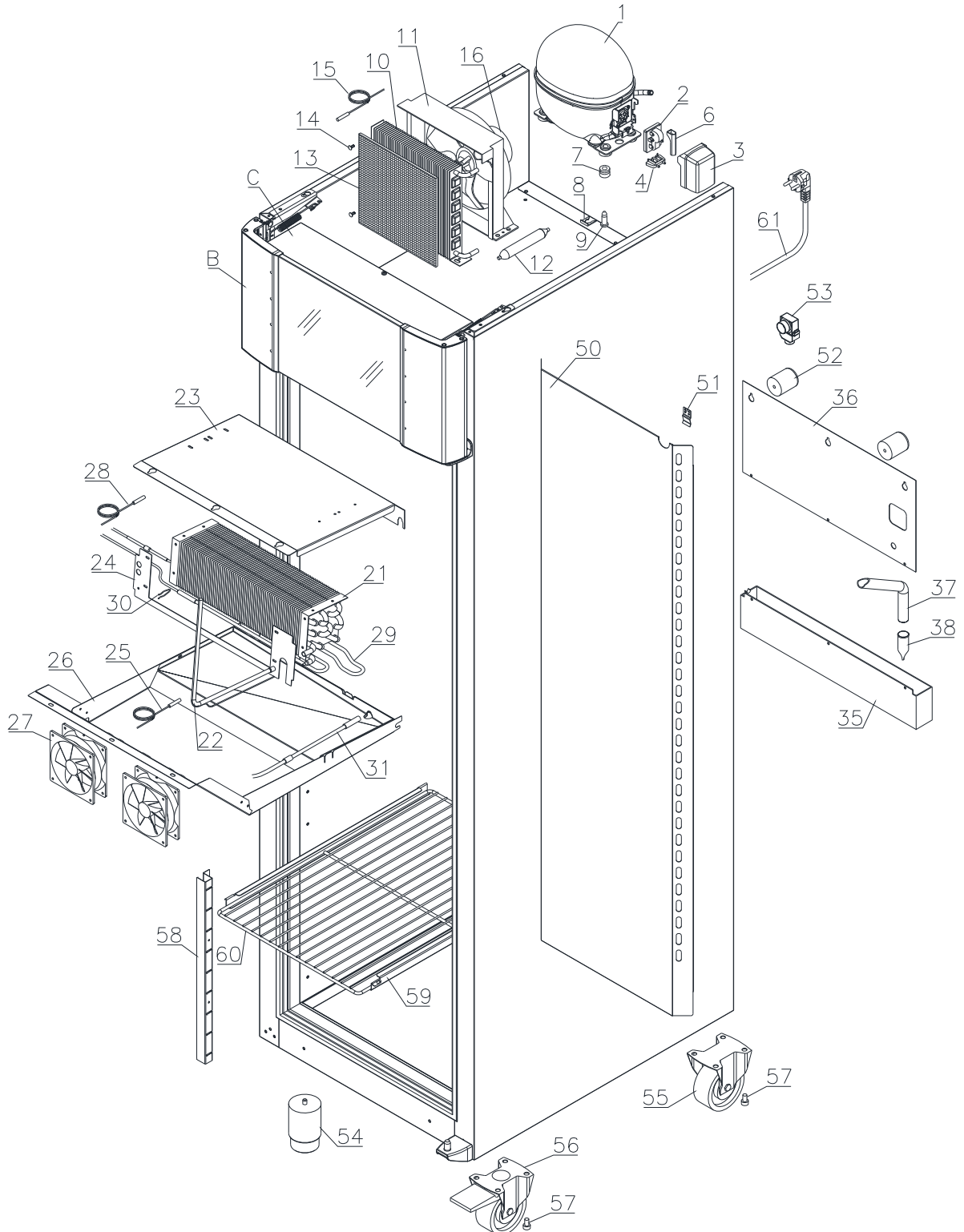


Description :

Spare parts list
Superior Euro K/M/F 62 G (R600a/R290)

Compiled.		Latest revision.			Deleted.	
Date	Name	Date	Name	Rev.no	Date	Name
27.02.15	JP	07.12.15	JP	003		

A. F 62 Cabinet / refrigeration system

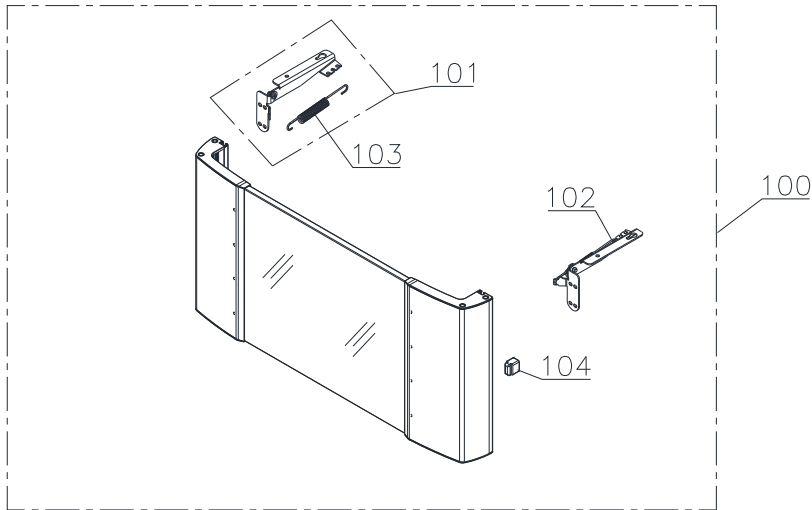


Description :

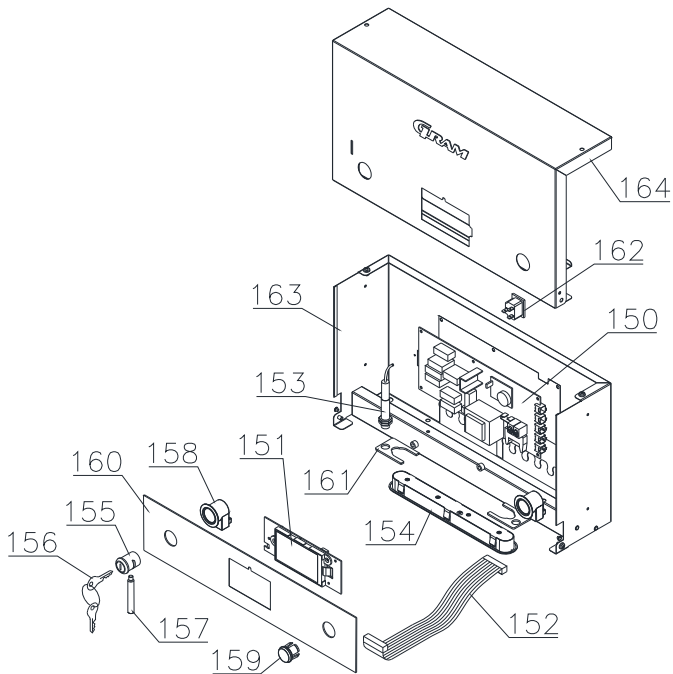
Spare parts list
Superior Euro K/M/F 62 G (R600a/R290)

Compiled.		Latest revision.			Deleted.	
Date	Name	Date	Name	Rev.no	Date	Name
27.02.15	JP	07.12.15	JP	003		

B. Front panel



C. Electrical parts

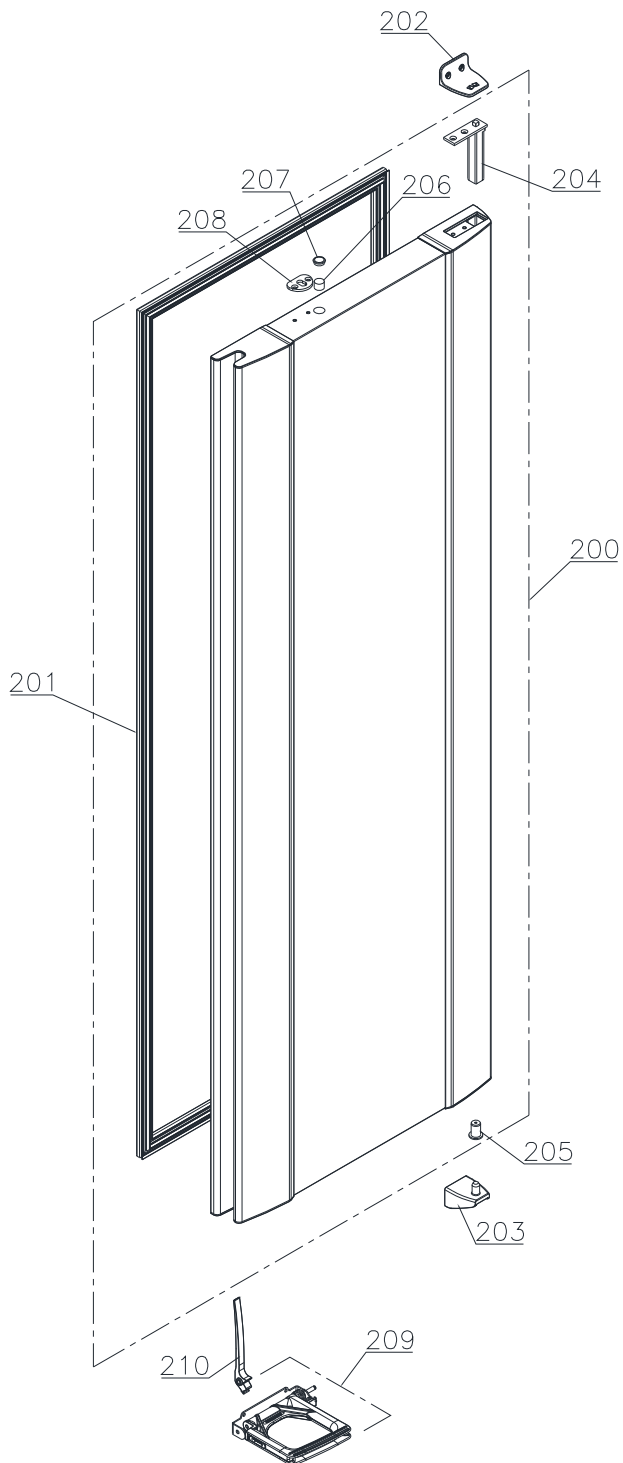


Description :

Spare parts list
Superior Euro K/M/F 62 G (R600a/R290)

Compiled.		Latest revision.			Deleted.	
Date	Name	Date	Name	Rev.no	Date	Name
27.02.15	JP	07.12.15	JP	003		

D. Door



<i>Gram Commercial</i> <i>Technical information</i>				765041717		
<u>Description :</u>						
Spare parts list Superior Euro K/M/F 62 G (R600a/R290)						
Compiled.		Latest revision.			Deleted.	
Date	Name	Date	Name	Rev.no	Date	Name
27.02.15	JP	07.12.15	JP	003		

Item no.	Description	Gram part no.	Serial no.: Issued	Deleted
----------	-------------	---------------	-----------------------	---------

A. Cabinet / refrigeration system

K 62:

1	Compressor NLU11KK.1	506000005	1315	
2	Starting device	453050179	1315	
3	Cover	452440293	1315	
4	Cord relief	452440300	1315	
5	Run capacitor 2,5µF	451723515	1315	
6	PTC cover	452440290	1315	
7	Rubber bush	760080519	1315	
8	Compressor clip	760082367	1315	
9	Compressor screw	760082711	1315	
10	Condenser	765080161	1315	
11	Fan guard	765080184	1315	
12	Fan motor	612900004	1315	
13	Filter drier	762900157	1315	
14	Air filter	761114415	1315	
15	Attachment plug	765081250	1315	
16	Condenser sensor	453531500	1315	
21	Evaporator	762900196	1315	
22	Heat exchanger	762900068	1315	
23	Evaporator suspension	763251229	1315	
24	Evaporator cover	763251230	1315	
25	Defrost sensor	453531501	1315	
26	Drip tray complete	763251824	1315	
27	Evaporator fan	765072099	1315	
28	Room sensor	453531501	1315	
35	Condensate pump	765072200	1315	
36	Bracket for pump	763251896	1315	
37	Cover for pump	763251897	1315	
38	Drain pipe	765081252	1315	
39	Drain hose w/trap	765081176	1315	
40	Drain pan	760245531	1315	

<i>Gram Commercial</i> <i>Technical information</i>				765041717		
<u>Description :</u>						
Spare parts list Superior Euro K/M/F 62 G (R600a/R290)						
Compiled.		Latest revision.			Deleted.	
Date	Name	Date	Name	Rev.no	Date	Name
27.02.15	JP	07.12.15	JP	003		

Item no.	Description	Gram part no.	Serial no.:	
			Issued	Deleted
<u>M 62:</u>				
1	Compressor NLU11KK.1	506000005	1315	
2	Starting device	453050179	1315	
3	Cover	452440293	1315	
4	Cord relief	452440300	1315	
5	Run capacitor 2,5µF	451723515	1315	
6	PTC cover	452440290	1315	
7	Rubber bush	760080519	1315	
8	Compressor clip	760082367	1315	
9	Compressor screw	760082711	1315	
10	Condenser	765080161	1315	
11	Fan guard	765080184	1315	
12	Fan motor	612900004	1315	
13	Filter drier	762900157	1315	
14	Air filter	761114415	1315	
15	Attachment plug	765081250	1315	
21	Evaporator	762900196	1315	
22	Heat exchanger	762900068	1315	
23	Evaporator suspension	763251229	1315	
24	Evaporator cover	763251230	1315	
25	Defrost sensor	453531501	1315	
26	Drip tray complete	763251824	1315	
27	Evaporator fan	765072086	1315	
28	Room sensor	453531501	1315	
29	Defrost heater	765072055	1315	
30	Clip for defrost heater	761222779	1315	
35	Condensate pump	765072200	1315	
36	Bracket for pump	763251896	1315	
37	Cover for pump	763251897	1315	
38	Drain pipe	765081252	1315	
39	Drain hose w/trap	765081176	1315	
40	Drain pan	760245531	1315	

<i>Gram Commercial</i> <i>Technical information</i>					765041717	
<u>Description :</u>						
Spare parts list Superior Euro K/M/F 62 G (R600a/R290)						
Compiled.		Latest revision.			Deleted.	
Date	Name	Date	Name	Rev.no	Date	Name
27.02.15	JP	07.12.15	JP	003		

Item no.	Description	Gram part no.	Serial no.:	
			Issued	Deleted
<u>F 62:</u>				
1	Compressor NLE 8.8 CN	502900018	1315	
2	Starting device	453050179	1315	
3	Cover	452440293	1315	
4	Cord relief	452440300	1315	
5	Run capacitor 10 μ F	451723511	1315	
6	PTC cover	452440290	1315	
7	Rubber bush	760080519	1315	
8	Compressor clip	760082367	1315	
9	Compressor screw	760082711	1315	
10	Condenser	765080162	1315	
11	Fan guard	76325xxxx	1315	
12	Filter drier	765080157	1315	
13	Air filter	761114416	1315	
14	Attachment plug	765081250	1315	
15	Condenser sensor	453531500	1315	
21	Evaporator	762900196	1315	
22	Heat exchanger	762900069	1315	
23	Evaporator suspension	763251229	1315	
24	Evaporator cover	763251230	1315	
25	Defrost sensor	453531501	1315	
26	Drip tray complete	763251824	1315	
27	Evaporator fan	765072086	1315	
28	Room sensor	453531501	1315	
29	Defrost heater	765072055	1315	
30	Clip for defrost heater	761222779	1315	
31	Drain line heater	761250763	1315	
35	Re-evaporation tray	765081149	1315	
36	Cover plate	763251895	1315	
37	Drain pipe	765081252	1315	
38	Water trap	760082891	1315	

<i>Gram Commercial</i> <i>Technical information</i>				765041717		
<u>Description :</u>						
Spare parts list Superior Euro K/M/F 62 G (R600a/R290)						
Compiled.		Latest revision.			Deleted.	
Date	Name	Date	Name	Rev.no	Date	Name
27.02.15	JP	07.12.15	JP	003		

Item no.	Description	Gram part no.	Serial no.:	
			Issued	Deleted
<u>Common parts:</u>				
50	Air distribution plate	763252611	1315	
51	Bracket	760250762	1315	
52	Distance bush	762251184	1315	
53	Air relief valve	765081206	1315	
54	Leg H=100-135 mm	765080118	1315	
54	Leg H=135-200 mm	765080115	1315	
55	Fixed castor H=109 mm	480270521	1315	
55	Fixed castor H=125 mm	480270520	1315	
56	Swivel castor H=109 mm	480270522	1315	
56	Swivel castor H=125 mm	480260050	1315	
57	Screw M8x12	422715000	1315	
58	Wall rail	763251919	1315	
59	Shelf support set of 2	818885005	1315	
60	Stainless wire shelf	818979907	1315	
60	Grey wire shelf	818979908	1315	
61	Power cord EU	765072566	1315	
61	Power cord UK	765072567	1315	
61	Power cord DK	765072568	1315	

B. Front panel

100	Front panel complete	763254046	1315	
101	Hinge complete, left	763252060	1315	
102	Hinge complete, right	763252066	1315	
103	Spring	763252063	1315	
104	Panel spacer	763252058	1315	

Gram Commercial Technical information				765041717		
<u>Description :</u>						
Spare parts list Superior Euro K/M/F 62 G (R600a/R290)						
Compiled.		Latest revision.			Deleted.	
Date	Name	Date	Name	Rev.no	Date	Name
27.02.15	JP	07.12.15	JP	003		

Item no.	Description	Gram part no.	Serial no.:	
			Issued	Deleted
<u>C. Electrical parts</u>				
150	Controller PCB, power part FS K01	763256000	1315	
150	Controller PCB, power part FS M03	763256001	1315	
150	Controller PCB, power part FS F01	763256002	1315	
151	Display PCB	612900053	1315	
152	Ribbon cable L=700	453582047	1315	
153	Door switch	450400102	1315	
154	LED light bar	450742011	1315	
155	Lock comb. A151	765080322	1315	
155	Lock comb. A152	765080328	1315	
155	Lock comb. A135	765080329	1315	
155	Lock comb. A136	765080346	1315	
155	Lock comb. A137	765080800	1315	
155	Lock comb. A138	765080801	1315	
155	Lock comb. A139	765080802	1315	
155	Lock comb. A140	765080803	1315	
155	Lock comb. A141	765080804	1315	
155	Lock comb. A142	765080805	1315	
155	Lock comb. A143	765080806	1315	
155	Lock comb. A144	765080807	1315	
156	Key A151	765080399	1315	
157	Lock pin	761114666	1315	
158	Lock housing	762110280	1315	
159	Plug for lock housing	763252152	1315	
160	Display label	765040682	1315	
161	Clip for LED bar	763252161	1315	
162	Appliance inlet	451022002	1315	
163	Junction box	763252158	1315	
164	Cover for junction box	763252157	1315	

<i>Gram Commercial</i> <i>Technical information</i>				765041717		
<u>Description :</u>						
Spare parts list Superior Euro K/M/F 62 G (R600a/R290)						
Compiled.		Latest revision.			Deleted.	
Date	Name	Date	Name	Rev.no	Date	Name
27.02.15	JP	07.12.15	JP	003		

Item no.	Description	Gram part no.	Serial no.:	
			Issued	Deleted
<u>D. Door</u>				
200	Door complete, right	Stainless	763254047	1315
200	Door complete, right	Alu look	763254048	1315
200	Door complete, right	White	763254049	1315
200	Door complete, left	Stainless	763254050	1315
200	Door complete, left	Alu look	763254051	1315
200	Door complete, left	White	763254052	1315
201	Gasket		763251725	1315
202	Top hinge		763251766	1315
203	Bottom hinge		763251765	1315
204	Self closing device		763251774	1315
205	Bush		761220936	1315
206	Magnet for door switch		450401002	1315
207	Plastic plug		760082756	1315
208	Lock bracket		763250995	1315
209	Foot pedal, right		763251800	1315
209	Foot pedal, left		763251810	1315
210	Pedal arm		763251802	1315