

Spare parts
Superior Plus K/M/F 72 G

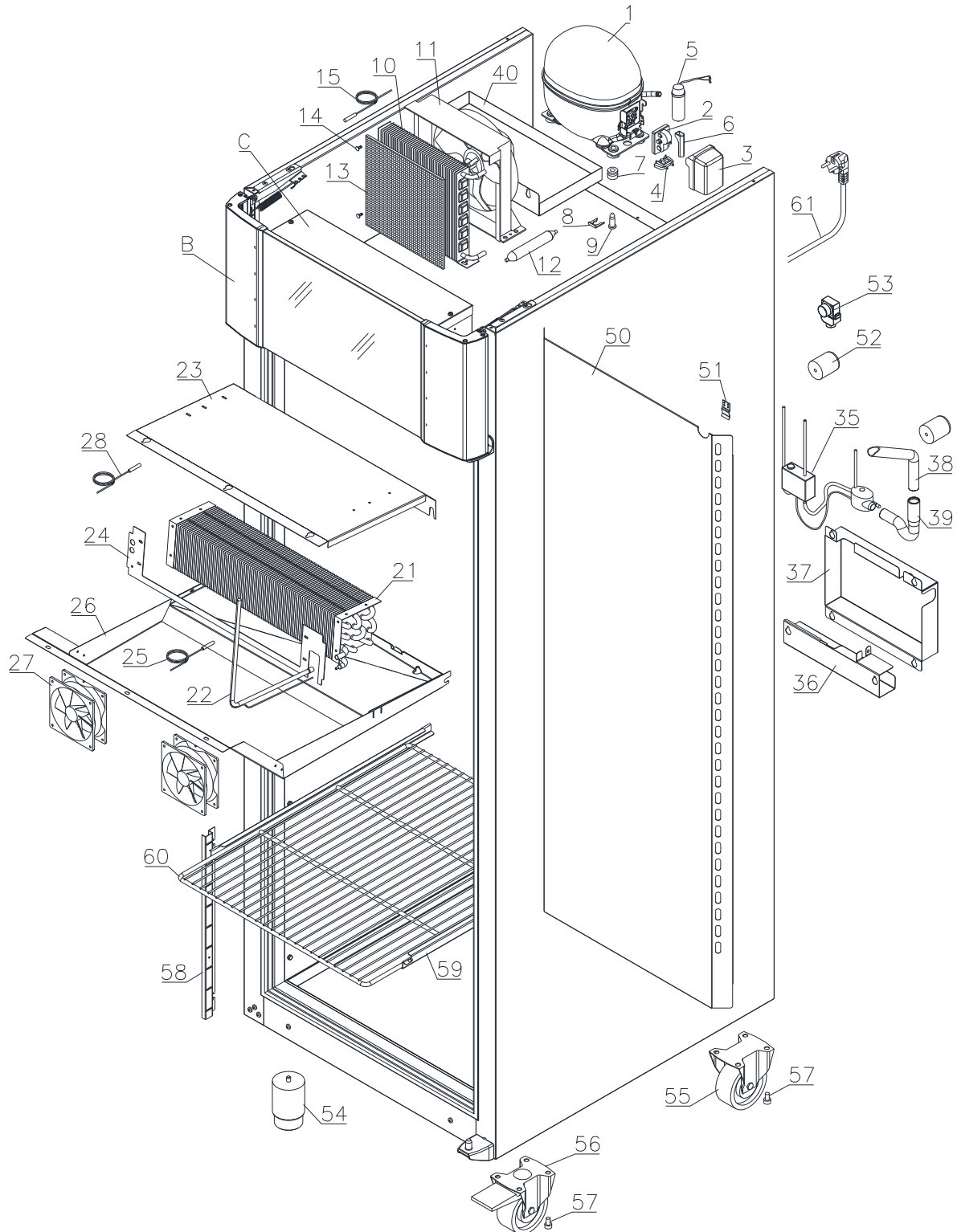


Description :

Spare parts list
Superior Plus K/M/F 72 G (R600a/R290)

Compiled.		Latest revision.			Deleted.	
Date	Name	Date	Name	Rev.no	Date	Name
07.05.14	JP	17.08.15	JP	002		

A. K 72 Cabinet / refrigeration system

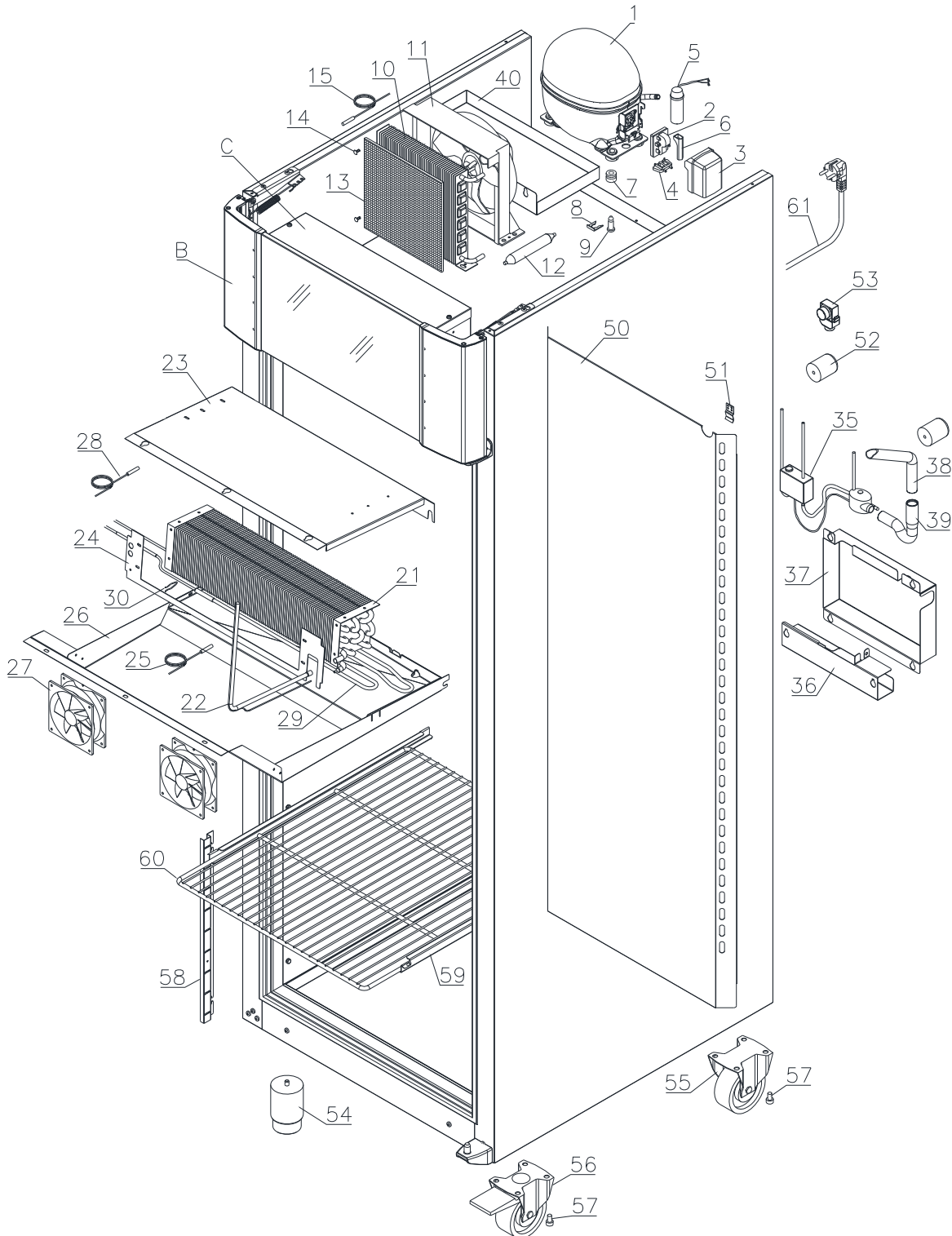


Description :

Spare parts list
Superior Plus K/M/F 72 G (R600a/R290)

Compiled.		Latest revision.			Deleted.	
Date	Name	Date	Name	Rev.no	Date	Name
07.05.14	JP	17.08.15	JP	002		

A. M 72 Cabinet / refrigeration system

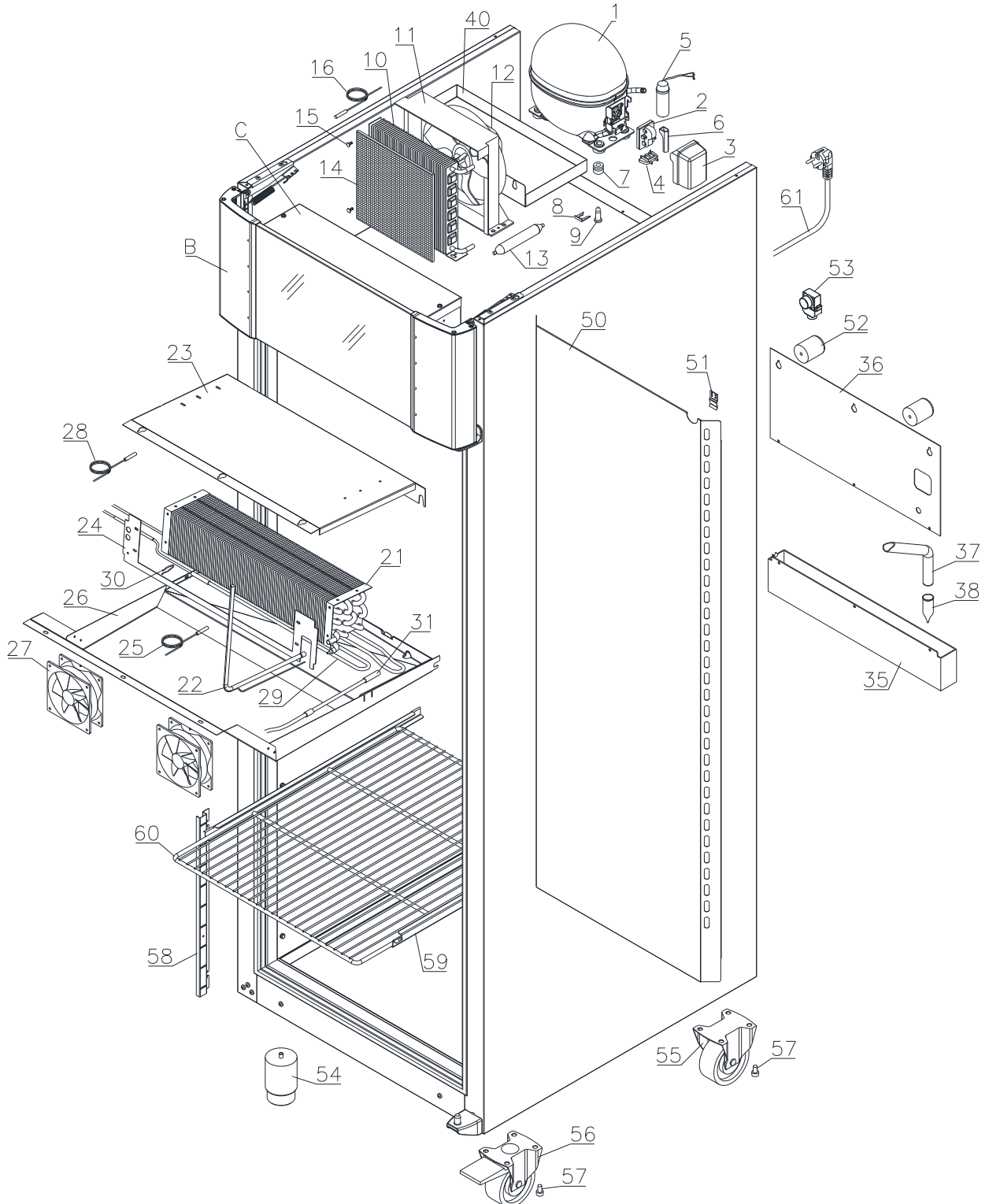


Description :

Spare parts list
Superior Plus K/M/F 72 G (R600a/R290)

Compiled.		Latest revision.			Deleted.	
Date	Name	Date	Name	Rev.no	Date	Name
07.05.14	JP	17.08.15	JP	002		

A. F 72 Cabinet / refrigeration system

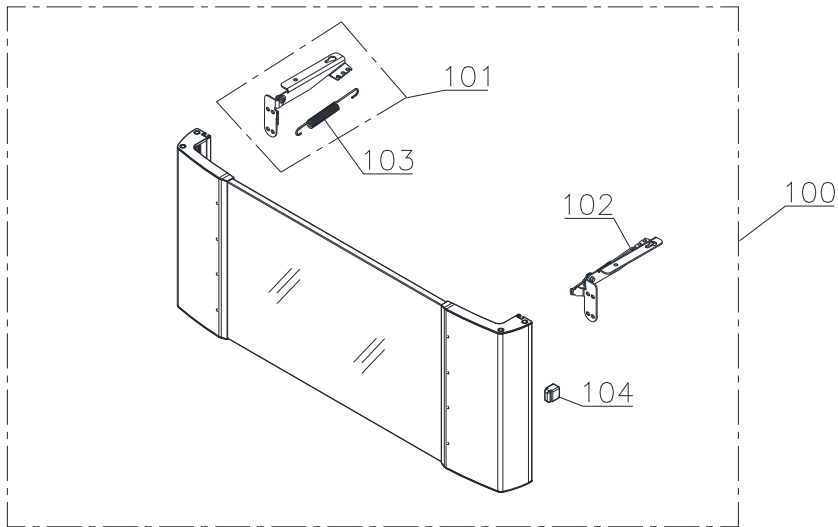


Description :

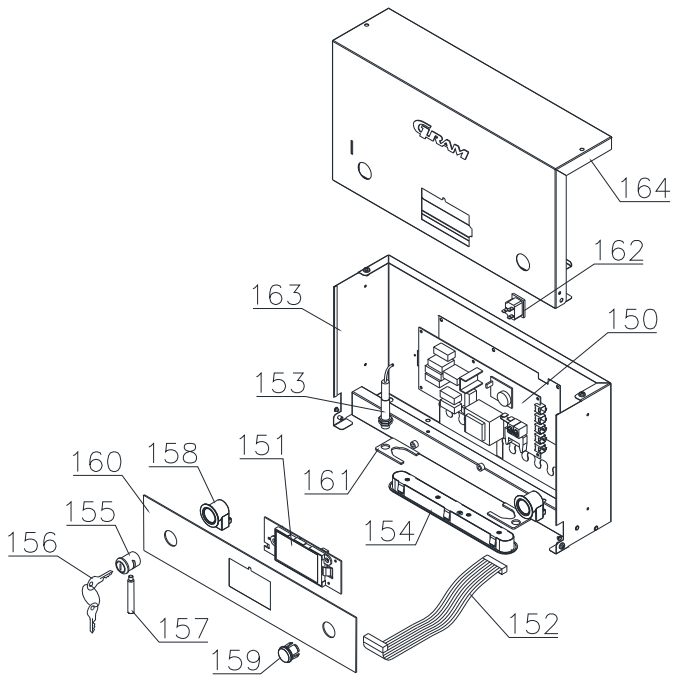
Spare parts list
Superior Plus K/M/F 72 G (R600a/R290)

Compiled.		Latest revision.			Deleted.	
Date	Name	Date	Name	Rev.no	Date	Name
07.05.14	JP	17.08.15	JP	002		

B. Front panel



C. Electrical parts

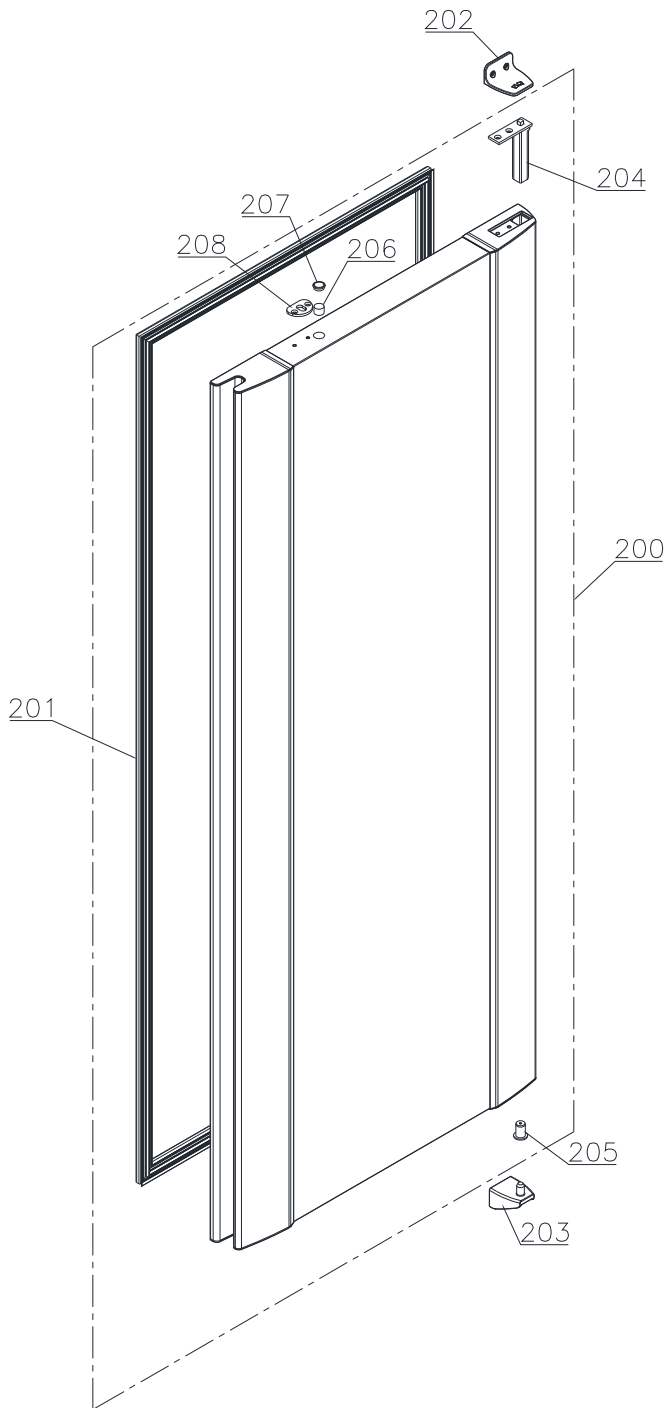


Description :

Spare parts list
Superior Plus K/M/F 72 G (R600a/R290)

Compiled.		Latest revision.			Deleted.	
Date	Name	Date	Name	Rev.no	Date	Name
07.05.14	JP	17.08.15	JP	002		

D. Door



Gram Commercial Technical information				765041653		
<u>Description :</u>						
Spare parts list Superior Plus K/M/F 72 G (R600a/R290)						
Compiled.		Latest revision.			Deleted.	
Date	Name	Date	Name	Rev.no	Date	Name
07.05.14	JP	17.08.15	JP	002		

Item no.	Description	Gram part no.	Serial no.:	
			Issued	Deleted
<u>A. Cabinet / refrigeration system</u>				
<u>K 72:</u>				
1	Compressor NLU11KK.1	506000005	1914	
2	Starting device	453050179	1914	
3	Cover	452440293	1914	
4	Cord relief	452440300	1914	
5	Run capacitor 2,5µF	451723515	1914	
6	PTC cover	452440290	1914	
7	Rubber bush	760080519	1914	
8	Compressor clip	760082367	1914	
9	Compressor screw	760082711	1914	
10	Condenser	765080161	1914	
11	Fan guard	765080184	1914	
12	Fan motor	612900004	1914	
13	Filter drier	762900157	1914	
14	Air filter	761114415	1914	
15	Attachment plug	765081250	1914	
16	Condenser sensor	453531500	1914	
21	Evaporator	762900187	1914	
22	Heat exchanger	762900068	1914	
23	Evaporator suspension	763251220	1914	
24	Evaporator cover	763251224	1914	
25	Defrost sensor	453531501	1914	
26	Drip tray complete	763251820	1914	
27	Evaporator fan	765072099	1914	
28	Room sensor	453531501	1914	
35	Condensate pump	765072200	1914	
36	Bracket for pump	763251896	1914	
37	Cover for pump	763251897	1914	
38	Drain pipe	765081252	1914	3815
38	Drain pipe	765081253	3815	
39	Drain hose w/trap	765081176	1914	
40	Drain pan	760245531	1914	

<i>Gram Commercial</i> <i>Technical information</i>					765041653	
<u>Description :</u>						
Spare parts list Superior Plus K/M/F 72 G (R600a/R290)						
Compiled.		Latest revision.			Deleted.	
Date	Name	Date	Name	Rev.no	Date	Name
07.05.14	JP	17.08.15	JP	002		

Item no.	Description	Gram part no.	Serial no.:	
			Issued	Deleted
<u>M 72:</u>				
1	Compressor NLU11KK.1	506000005	1914	
2	Starting device	453050179	1914	
3	Cover	452440293	1914	
4	Cord relief	452440300	1914	
5	Run capacitor 2,5µF	451723515	1914	
6	PTC cover	452440290	1914	
7	Rubber bush	760080519	1914	
8	Compressor clip	760082367	1914	
9	Compressor screw	760082711	1914	
10	Condenser	765080161	1914	
11	Fan guard	765080184	1914	
12	Fan motor	612900004	1914	
13	Filter drier	762900157	1914	
14	Air filter	761114415	1914	
15	Attachment plug	765081250	1914	
21	Evaporator	762900187	1914	
22	Heat exchanger	762900068	1914	
23	Evaporator suspension	763251220	1914	
24	Evaporator cover	763251224	1914	
25	Defrost sensor	453531501	1914	
26	Drip tray complete	763251820	1914	
27	Evaporator fan	765072086	1914	
28	Room sensor	453531501	1914	
29	Defrost heater	765071819	1914	
30	Clip for defrost heater	761222779	1914	
35	Condensate pump	765072200	1914	
36	Bracket for pump	763251896	1914	
37	Cover for pump	763251897	1914	
38	Drain pipe	765081252	1914	3815
38	Drain pipe	765081253	3815	
39	Drain hose w/trap	765081176	1914	
40	Drain pan	760245531	1914	

<i>Gram Commercial</i> <i>Technical information</i>					765041653	
<u>Description :</u>						
Spare parts list Superior Plus K/M/F 72 G (R600a/R290)						
Compiled.		Latest revision.			Deleted.	
Date	Name	Date	Name	Rev.no	Date	Name
07.05.14	JP	17.08.15	JP	002		

Item no.	Description	Gram part no.	Serial no.:	
			Issued	Deleted
<u>F 72:</u>				
1	Compressor NLE11CNX	502900017	1914	
2	Starting device	453050179	1914	
3	Cover	452440293	1914	
4	Cord relief	452440300	1914	
5	Run capacitor 10 μ F	451723511	1914	
6	PTC cover	452440290	1914	
7	Rubber bush	760080519	1914	
8	Compressor clip	760082367	1914	
9	Compressor screw	760082711	1914	
10	Condenser	765080162	1914	
11	Fan guard	76325xxxx	1914	
12	Filter drier	765080157	1914	
13	Air filter	761114416	1914	
14	Attachment plug	765081250	1914	
15	Condenser sensor	453531500	1914	
21	Evaporator	762900187	1914	
22	Heat exchanger	762900069	1914	
23	Evaporator suspension	763251220	1914	
24	Evaporator cover	763251224	1914	
25	Defrost sensor	453531501	1914	
26	Drip tray complete	763251820	1914	
27	Evaporator fan	765072086	1914	
28	Room sensor	453531501	1914	
29	Defrost heater	765071819	1914	
30	Clip for defrost heater	761222779	1914	
31	Drain line heater	761250763	1914	
35	Re-evaporation tray	765081149	1914	
36	Cover plate	763251895	1914	
37	Drain pipe	765081252	1914	3815
37	Drain pipe	765081253	3815	
38	Water trap	760082891	1914	

<i>Gram Commercial</i> <i>Technical information</i>				765041653		
<u>Description :</u>						
Spare parts list Superior Plus K/M/F 72 G (R600a/R290)						
Compiled.		Latest revision.			Deleted.	
Date	Name	Date	Name	Rev.no	Date	Name
07.05.14	JP	17.08.15	JP	002		

Item no.	Description	Gram part no.	Serial no.:	
			Issued	Deleted
<u>Common parts:</u>				
50	Air distribution plate	763252610	1914	
51	Bracket	760250762	1914	
52	Distance bush	762251184	1914	
53	Air relief valve	765081206	1914	
54	Leg H=100-135 mm	765080118	1914	
54	Leg H=135-200 mm	765080115	1914	
55	Fixed castor H=109 mm	480270521	1914	
55	Fixed castor H=125 mm	480270520	1914	
56	Swivel castor H=109 mm	480270522	1914	
56	Swivel castor H=125 mm	480260050	1914	
57	Screw M8x12	422715000	1914	
58	Wall rail	763251914	1914	
59	Shelf support set of 2	818885000	1914	
60	Stainless wire shelf	818880007	1914	
60	Grey wire shelf	818880008	1914	
61	Power cord EU	765072566	1914	
61	Power cord UK	765072567	1914	
61	Power cord DK	765072568	1914	

B. Front panel

100	Front panel complete	763254015	1914	
101	Hinge complete, left	763252060	1914	
102	Hinge complete, right	763252066	1914	
103	Spring	763252063	1914	
104	Panel spacer	763252058	1914	

<i>Gram Commercial</i> <i>Technical information</i>				765041653		
<u>Description :</u>						
Spare parts list Superior Plus K/M/F 72 G (R600a/R290)						
Compiled.		Latest revision.			Deleted.	
Date	Name	Date	Name	Rev.no	Date	Name
07.05.14	JP	17.08.15	JP	002		

Item no.	Description	Gram part no.	Serial no.:	
			Issued	Deleted
<u>C. Electrical parts</u>				
150	Controller PCB, power part FS K01	763256000	1914	
150	Controller PCB, power part FS M03	763256001	1914	
150	Controller PCB, power part FS F01	763256002	1914	
151	Display PCB	612900053	1914	
152	Ribbon cable L=700	453582047	1914	
153	Door switch	450400102	1914	
154	LED light bar	450742011	1914	
155	Lock comb. A151	765080322	1614	
155	Lock comb. A152	765080328	1614	
155	Lock comb. A135	765080329	1614	
155	Lock comb. A136	765080346	1614	
155	Lock comb. A137	765080800	1614	
155	Lock comb. A138	765080801	1614	
155	Lock comb. A139	765080802	1614	
155	Lock comb. A140	765080803	1614	
155	Lock comb. A141	765080804	1614	
155	Lock comb. A142	765080805	1614	
155	Lock comb. A143	765080806	1614	
155	Lock comb. A144	765080807	1614	
156	Key A151	765080399	1914	
157	Lock pin	761114666	1914	
158	Lock housing	762110280	1914	
159	Plug for lock housing	763252152	1914	
160	Display label	765040682	1914	
161	Clip for LED bar	763252161	1914	
162	Appliance inlet	451022002	1914	
163	Junction box	763252158	1914	
164	Cover for junction box	763252157	1914	

<i>Gram Commercial</i> <i>Technical information</i>				765041653		
<u>Description :</u>						
Spare parts list Superior Plus K/M/F 72 G (R600a/R290)						
Compiled.		Latest revision.			Deleted.	
Date	Name	Date	Name	Rev.no	Date	Name
07.05.14	JP	17.08.15	JP	002		

Item no.	Description	Gram part no.	Serial no.:	
			Issued	Deleted
<u>D. Door</u>				
200	Door complete, right	Stainless	763254000	1914
200	Door complete, right	Alu look	763254013	1914
200	Door complete, right	White	763254011	1914
200	Door complete, left	Stainless	763254010	1914
200	Door complete, left	Alu look	763254014	1914
200	Door complete, left	White	763254012	1914
201	Gasket		763251705	1914
202	Top hinge		763251766	1914
203	Bottom hinge		763251765	1914
204	Self closing device		763251774	1914
205	Bush		761220936	1914
206	Magnet for door switch		450401002	1914
207	Plastic plug		760082756	1914
208	Lock bracket		763250995	1914
209	Foot pedal, right		763251800	1914
209	Foot pedal, left		763251810	1914