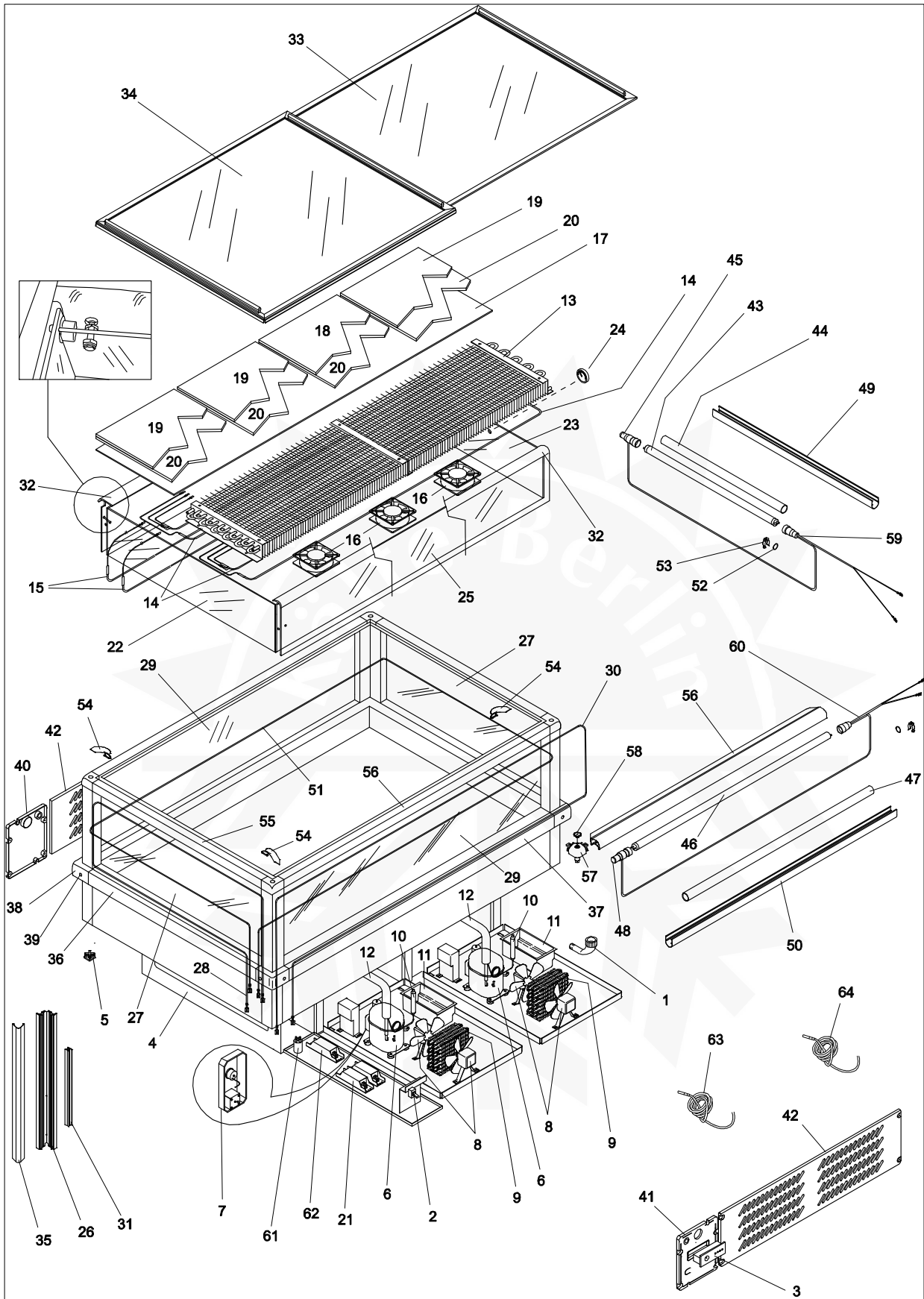


Rif.	Description	Code
1	COMPLETE ABS CURVE	3411100000500
2	LEVER SINGLE-POLE SWITCH	4000600035500
3	DIGITAL THERMOSTAT GLOBALIGHT	1188100
4	KICK PLATE COVER,PLAST.STEEL	3400109897000
5	BASEMENT FOOT 35X35	3411203503502
6	COMPR.ASP.T2180GK 220/240-50	4109028
7	ACCESSORIES SET T2180GK 220/240-50 R404A	1147204
8	ELECTRO-FAN 10W 230/240V	4001800001001
9	CONDENSER 9T-4R (270 A)	4100123284000
10	UNION CARBIDE TWO-WAY FILTER	4100610064000
11	EVAPORATING WATER ABS TRAY EXPO J	3410599605000
12	SUCTION LINE GLOBALIGHT VN 150/200	4101043123000
13	EVAPORATOR F. GLOBALIGHT VN 200	4100242240000
14	S/S HEATER GLOBALIGHT VN 200	4003142242000
15	S/S HEATER GLOBALIGHT VN 200	4003142223000
16	CTROFAN NMB 4715MS 23WB10A	4001800004700
17	INSUL.EVAPOR.COVER GLOBALIGHT VN 200	3901342238000
18	TANK BOTTOM SHELF GLOBALIGHT 150/200	3400423017000
19	TANK BOTTOM SHELF GLOBALIGHT 200	3400423018000
20	INSUL.SHELF PANEL F.GLOBALIGHT 150/200	3901342608000
21	BALLAST 1X36/40W TW130 230/50	1033008
22	LEFT SHORT GLASS PANEL WITHOUT HOLE	4601442816100
23	RIGHT SHORT GLASS PANEL WITH HOLE TM	4601423009100
24	THERMOMETER TYPE AR THERMO	4100500056900
25	SIDE GLASS GLOBALIGHT VN 200 1879X220	4601442814100
26	INT.ALU PROFILE WITH SLOTS L=588 RAL 9010	2222516924100
27	FRONT GLASS F.SKYLIGHT 350 IN-	4601816944000
28	GLASS HEATER	4003013233000
29	SIDE GLASS GLOBALIGHT 200	4601842243000
30	WIRE HEATER	4003043029000
31	GLASS HOLDER PVC CORNER	3306399569001
32	AIRBLOWER F.GLOBALIGHT VN 200	3410543138100
33	LOWER FLAT GLASS GLOBALIGHT VN 200	4601943207000
34	UPPER FLAT GLASS GLOBALIGHT VN 200	4601943205000
35	EXTERNAL PROFILE L=588 RAL 9010	2222516922100
36	OVAL BUMPER L=870 RAL9010	3306199389008
37	OVAL BUMPER L=1900 RAL9010	3306199389019
38	OVAL BUMPER CORNER RAL9010	4400699386021
39	PLUG FOR CURVED BUMPER RAL 9010	3410799489000
40	GREY ABS CONTROL BOARD COVER	4420999792026
41	SILK-SCREEN PRINT.CONTR.BOARD	4420999792030
42	FRONT GREY ABS GRID	4420399707000
43	DAYTIME FLUORESCENT LAMP 18W	1112007
44	LAMP TUBE 18W D.29X33X585	1731021
45	STARTER FS 2 4/22 W	4001000002000
46	DAYTIME FLUORESCENT LAMP 58W D26 G13	1112014
47	LAMP TUBE 58W D.29X33X1495	1731065
48	STARTER STU 4/80 W	4001000001000
49	PLASTIC LAMP COVER L=790MM GLOBALIGHT VN150/200	4426000002500
50	PLASTIC LAMP COVER L=1346MM GLOBALIGHT VN200	4426000002502
51	WIRE HEATER GLOBALIGHT 200	4003042247000
52	LAMP FIXING O-RING	3800450002000

53	LAMP HOOK	5501036
54	INNER CORNER COVER GLOBAL.	3420499122021
55	WHITE SIDE HAND PROFILE L= 856	2222543200000
56	WHITE SIDE HAND PROFILE L= 1896	2222543202000
57	FRAME ABS CORNER WHITE	3420499576021
58	HEAD COVER RAL 9010	3410799541000
59	LAMP WIRING SKYLIGHT	4001117443000
60	LAMP WIRING HORIZON	4001140170000
61	RADIO INTERFERENCE SUPPRESSER EXPO NV-1100	4001703041160
62	REACTOR 30W TW130 230/50	1033003
63	DIGITAL THERMOSTAT PROBE	1185068
64	PROBE PTC	1185069





S&C 01/14  
Q 000005020000  
OR AU-01/14 F  
FCGEJA 01/14  
Q ) KEI J&D HEA I A EA C&G  
Q&K KEI J&D HEA I A EA C&G  
AT ad&K I O a&C E a 1/14 E a  
Q c i ) a d c j k d , E a e l c E a 1/14 E a {