

No.	F080-3689
ISSUED:	Mar. 29, 2012
REVISED:	



**HOSHIZAKI**  
**SELF-CONTAINED FLAKER**  
**MODEL FM-150KE(-N)**  
**(F080, F080-C106)**

**PARTS LIST**  
(HE)

B-1 MAR. 2012

## AUXILIARY CODE

U - 1

The auxiliary code is the first two characters in the serial number. The first character indicates the production year. Years progress or regress in alphabetical order. The series of letters and skipped letters depend on UL listing, production, and model. See the auxiliary code(s) and corresponding year(s) on the front cover.

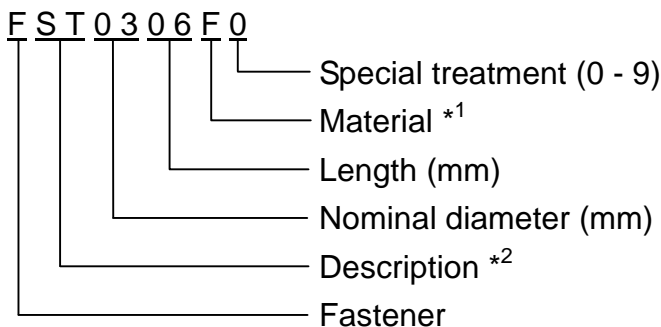
The second character indicates significant part changes within the same year. Base is "1" and this number advances for each change. If there is no significant part change at the turn of the year, this number starts from "0."

## MARKS LOCATED UNDER THE AUXILIARY CODE

- = Part deleted.
- x = Part deleted and replaced by "o" part.
- o = New part in place of "x" part.

## FASTENER PART NUMBER

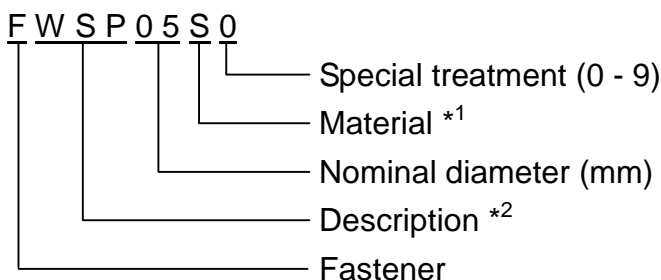
### SCREWS



\*1 Material

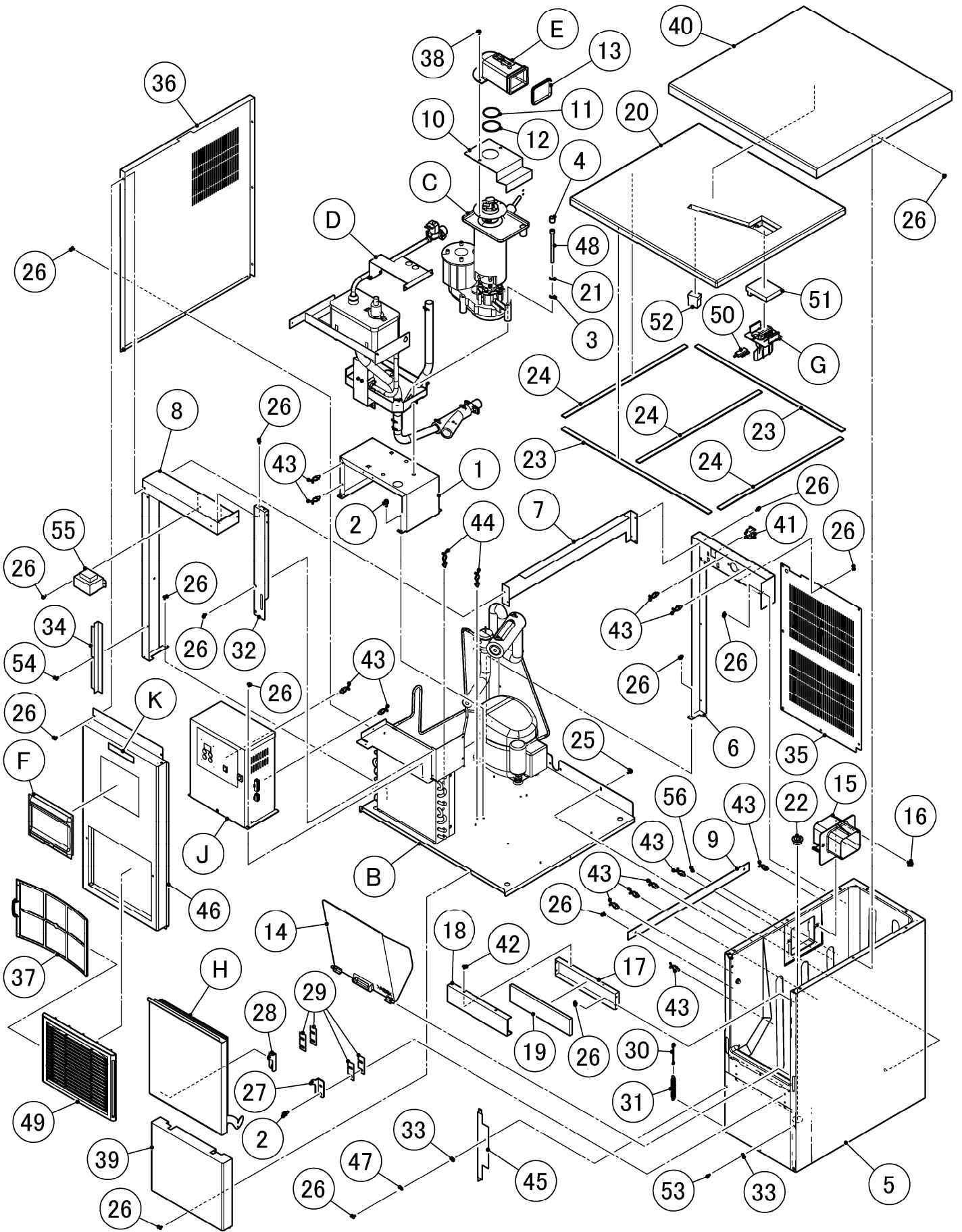
- F: Steel
- S: Austenitic stainless steel
- M: Martensitic stainless steel
- B: Copper alloy
- P: Polycarbonate
- N: Polyamide
- V: PVC
- A: ABS
- X: Polyacetal
- L: Aluminum

### NUTS & WASHERS



\*2 Description

- First letter
- S: Machine screw
- T: Tapping screw
- M: Wood screw
- B: Bolt
- W: Washer
- N: Nut



HE

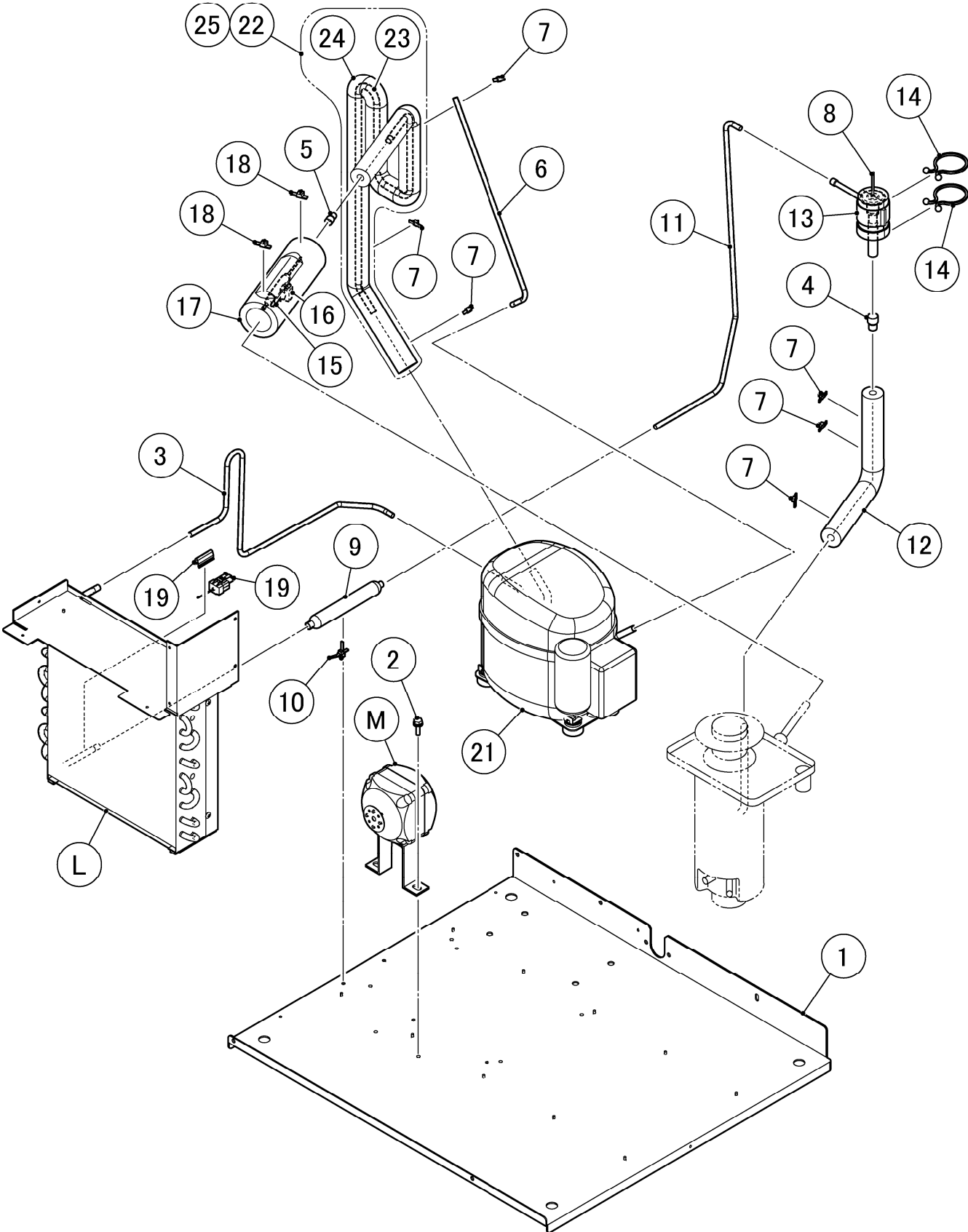
MODEL: FM-150KE, FM-150KE-N					TITLE: A. ICE FLAKER ASSY				
INDEX NO.	DESCRIPTION	MATERIAL OR MODEL NUMBER	PART NUMBER	REQ'D NUMBER					
				B-1					
B	REFRIGERATION CIECUIT		121616A01	1					
C	ICE MAKING UNIT		376130A01	1					
		F080-C106	376130001						
D	WATER CIRCUIT ASSY		121617A01	1					
E	SPOUT ASSY		358941A01	1					
F	WINDW PANEL ASSY		348243A03	1					
G	ACTUATOR ASSY		350301A01	1					
H	DOOR ASSY		373745A01	1					
J	CONTROL BOX ASSY		261574A02	1					
K	LABEL LOCATION		261552A01	1					
		F080-C106	261552A02	1					
N	ACCESSORIES		A02455-01	1					
1	BRACKET / GM		376111G01	1					
2	HEX HEAD BOLT (SPRING WASHER AND FLAT WASHER)		FBK0616S0	8					
3	SEAL WASHER		458299-01	3					
4	VINYL CAP		451272-01	3					
5	BIN - FOAMED		261571G01	1					
6	REAR FRAME		261572M01	1					
7	SIDE FRAME		376024M01	1					
8	FRONT FRAME		263035M01	1					
9	BRACE - EVAPORATOR		476423M01	1					
10	BRACKET-EVA		376026M01	1					
11	O-RING		7616-G045	1					
12	RING		432661-03	1					
13	PACKING (A) - SPOUT		427152-02	1					
14	SLOPE		362588G01	1					
15	SPOUT(B)		232654-02	1					
16	BOLT		462612-01	2					
17	FRONT BRACE - BIN		466313-01	1					
18	FRONT FRAME - BIN		466312-01	1					
19	INSULATION - FRONT		466394-01	1					
20	UPPER PANEL		258350G01	1					

HE

MODEL: FM-150KE, FM-150KE-N					TITLE: A. ICE FLAKER ASSY				
INDEX NO.	DESCRIPTION	MATERIAL OR MODEL NUMBER	PART NUMBER	REQ'D NUMBER					
				B-1					
21	SPRING WASHER		FWSP08S0	3					
22	DRAIN PIPE		466275-01	1					
23	SOFT TAPE		121615Z01	2					
24	SOFT TAPE		121615Z02	3					
25	HEX HEAD BOLT (SPRING WASHER AND FLAT WASHER)		FBK0512S0	1					
26	TRUSS HEAD TAPPING SCREW (S-TITE)		FTS0408M0	44					
27	HINGE (A)		4H0456-01	1					
28	HINGE(L)		426053-01	1					
29	HINGE SPACER (B)		4H0605-02	4					
30	HOOK		404060-07	1					
31	SPRING		4H0491-01	1					
32	FRONT PLATE		358898-01	1					
33	TAPER COLLAR		4H0171-01	2					
34	BARRIER - AIR		466295-01	1					
35	REAR PANEL(L)		261575M01	1					
36	SIDE PANEL(L)		261576M01	1					
37	AIR FILTER		2X0416G01	1					
38	HEX HEAD BOLT (SPRING WASHER AND FLAT WASHER)		FBK0412S0	3					
39	FRONT PANEL (R)		362595-01	1					
40	TOP PANEL		241759-01	1					
41	CONNECTOR		P00245-02	1					
42	TRUSS HEAD TAPPING SCREW T2		FT20408M0	2					
43	CLAMP	No. 249	427902-03	12					
44	CLAMP	No.1F55	427902-07	2					
45	BARRIER - AIR		468195-01	1					
46	FRONT PANEL		376112G01	1					
47	FLAT WASHER		FWPL04F0	1					
48	HEXAGON SOCKET HEAD CAP SCREW		461285-01	3					
49	LOUVER		1H4811P01	1					
50	REED SWITCH		453861-02	1					
51	INSULATION (A) - UP		458667-01	1					
52	INSULATION (B) - UP		458668-01	1					

HE

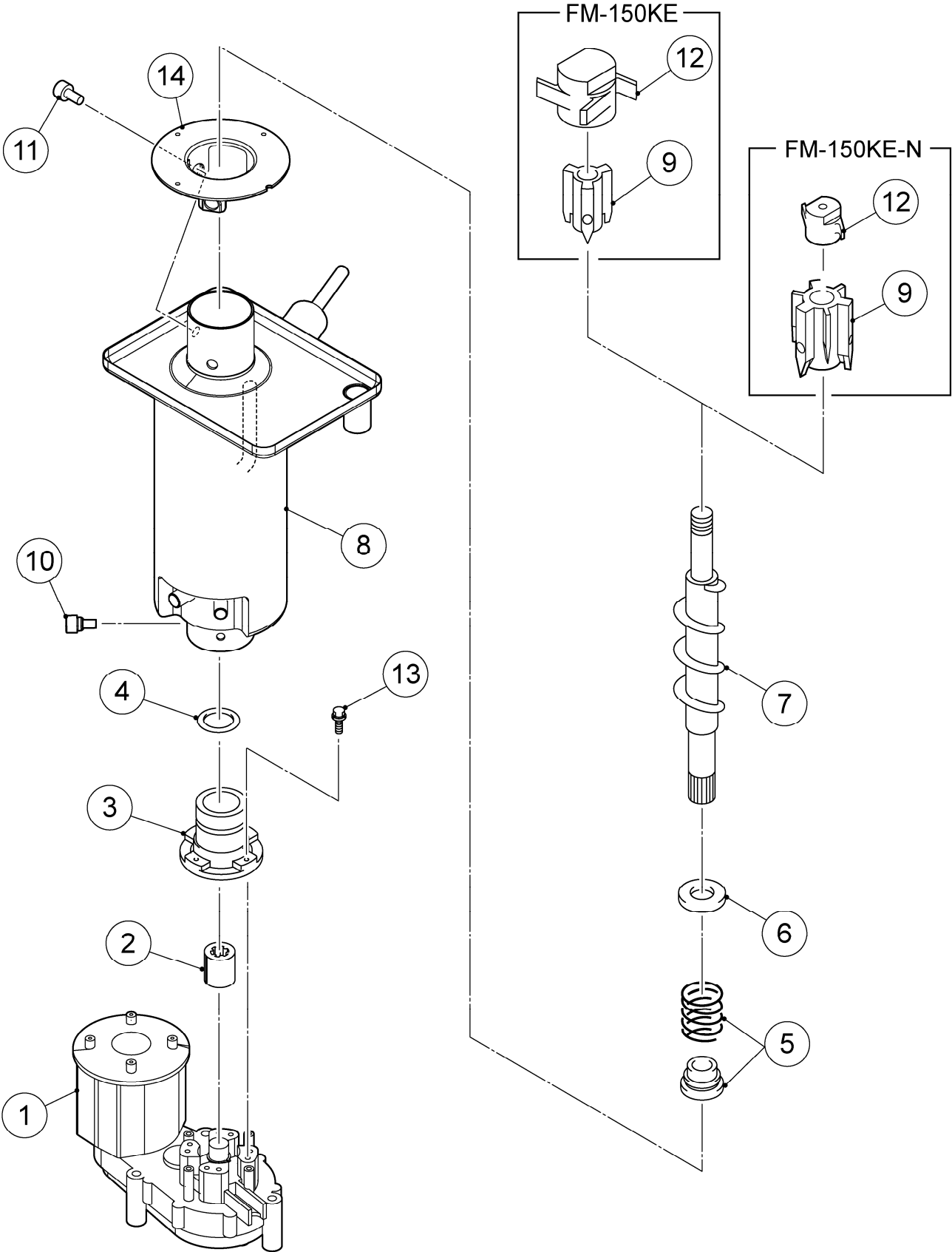
MODEL: <b>FM-150KE, FM-150KE-N</b>					TITLE: <b>A. ICE FLAKER ASSY</b>				
INDEX NO.	DESCRIPTION	MATERIAL OR MODEL NUMBER	PART NUMBER	REQ'D NUMBER					
				B-1					
53	RIVET	SSD43BS	7170-0003	1					
54	TRUSS HEAD MACHINE SCREW		FST0408S0	1					
55	TRANSFORMER		P02623-01	1					
56	PAN HEAD MACHINE SCREW (SPRING WASHER AND FLAT WASHER)		FSK0408S0	1					



HE

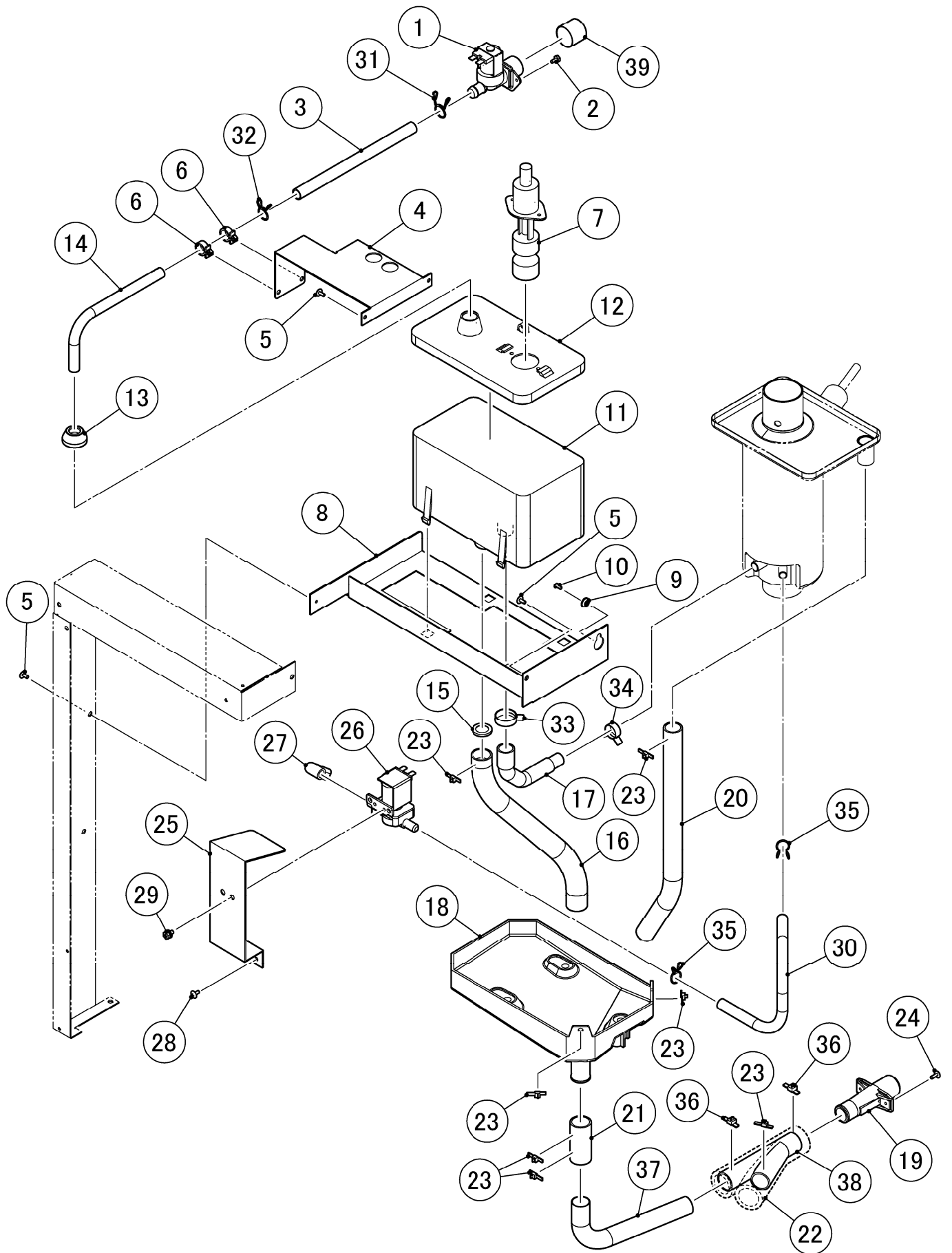
MODEL: FM-150KE, FM-150KE-N		TITLE: B. REFRIGERATION CIRCUIT						
INDEX NO.	DESCRIPTION	MATERIAL OR MODEL NUMBER	PART NUMBER	REQ'D NUMBER				
				B-1				
L	CONDENSER ASSY		261567A01	1				
M	FAN MOTOR ASSY		3Y5886A01	1				
1	BASE		261577G01	1				
2	BOLT		458660-01	2				
3	COPPER TUBE (A) -HIGE SIDE		376027M01	1				
4	REDUCER		421904-01	1				
5	REDUCER		421904-17	1				
6	PROCESS TUBE - LOW SIDE		476426M01	1				
7	TIE	CV-150	7920-0003	6				
8	EXPANSION VALVE		446808-01	1				
9	DRIER		458776-01	1				
10	TIE		457167-01	1				
11	COPPER TUBE B-H		376028M01	1				
12	INSULATION TUBE		H71030300	1				
13	VALVE COVER		3Y3196P01	1				
14	CLAMP		P00752-01	2				
15	HOLDER - EXPV		451267-01	1				
16	CLAMP		443461-01	1				
17	Insulation Tube		H73858B15	1				
18	TIE		7920-0028	2				
19	THERMISTOR ASSY	CV-300	476475G01	1				
20	THERMISTOR - HOLDER		458132-01	1				
21	COMPRESSOR		P02531-01	1				
22	SUCTION PIPE AY		261568A01	1				
23	SUCTION PIPE AY		261568M01	1				
24	INSULATION TUBE	7762-1030	H71030H10	1				
25	NEOBELT PC		446470-01	1				





HE

MODEL: <b>FM-150KE, FM-150KE-N</b>					TITLE: <b>C. ICE MAKING UNIT</b>				
INDEX NO.	DESCRIPTION	MATERIAL OR MODEL NUMBER	PART NUMBER	REQ'D NUMBER					
				B-1					
1	GEAR MOTOR		P02068-02	1					
2	COUPLING-SPLINE ASSY		418316-01	1					
3	HOUSING		206013G05	1					
4	O RING		7616-G040	1					
5	MECHANICAL SEAL		432491-01	1					
6	RING(B)		432494-01	1					
7	AUGER		361013G01	1					
8	EVAPORATOR		241041G02	1					
9	EXTRUDING HEAD-45F		327140G01	1					
	EXTRUDING HEAD(NUGGET)	F080-C106	327141G01	1					
10	SCREW		P01718-01	4					
11	SEALBOLT-M8		P01768-01	3					
12	4 CUTTER		427137-01	1					
	CUTTER	F080-C106	440905-01	1					
13	HEX.BOLT SW	6 x 20	458660-01	4					
14	FLANGE/45		464843-01	1					

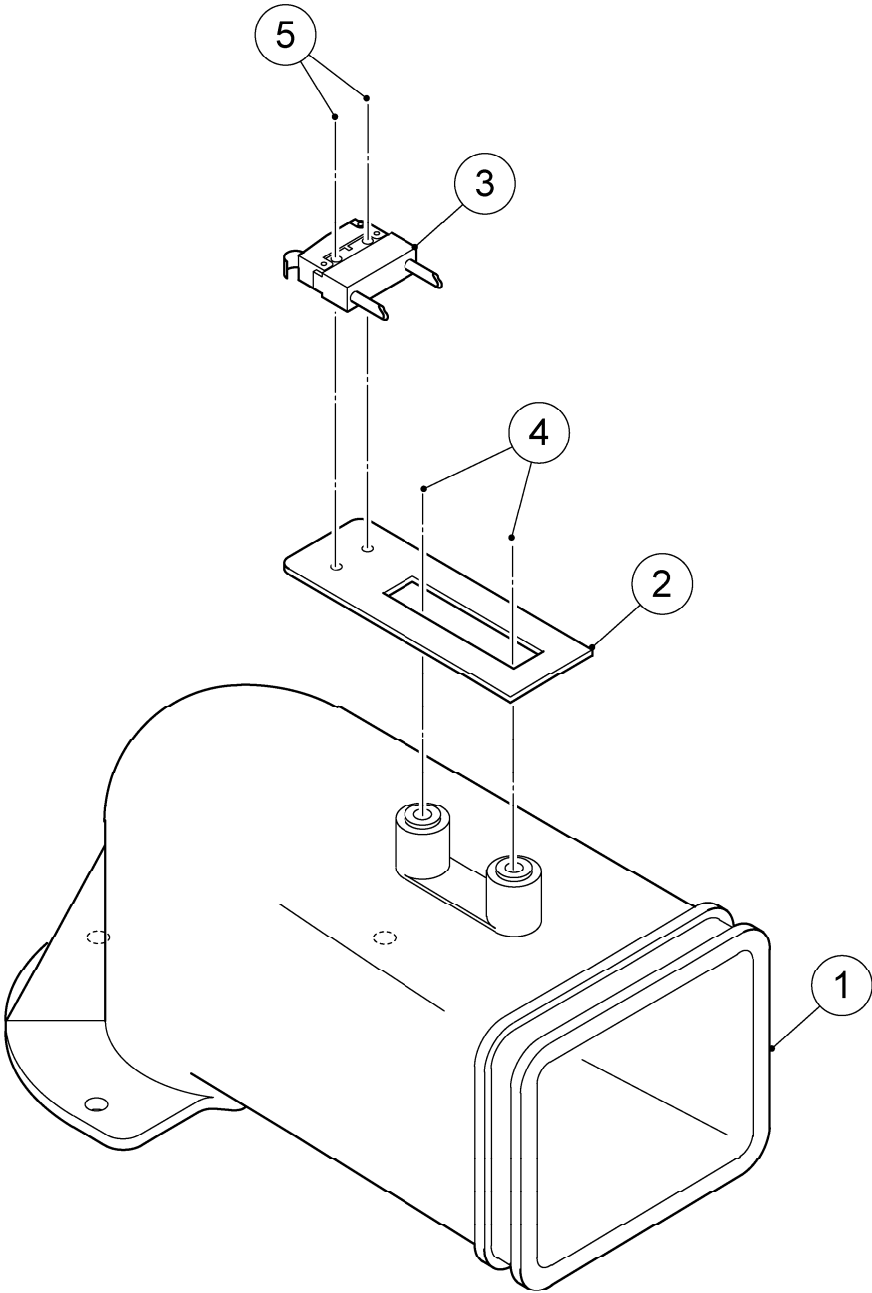


HE

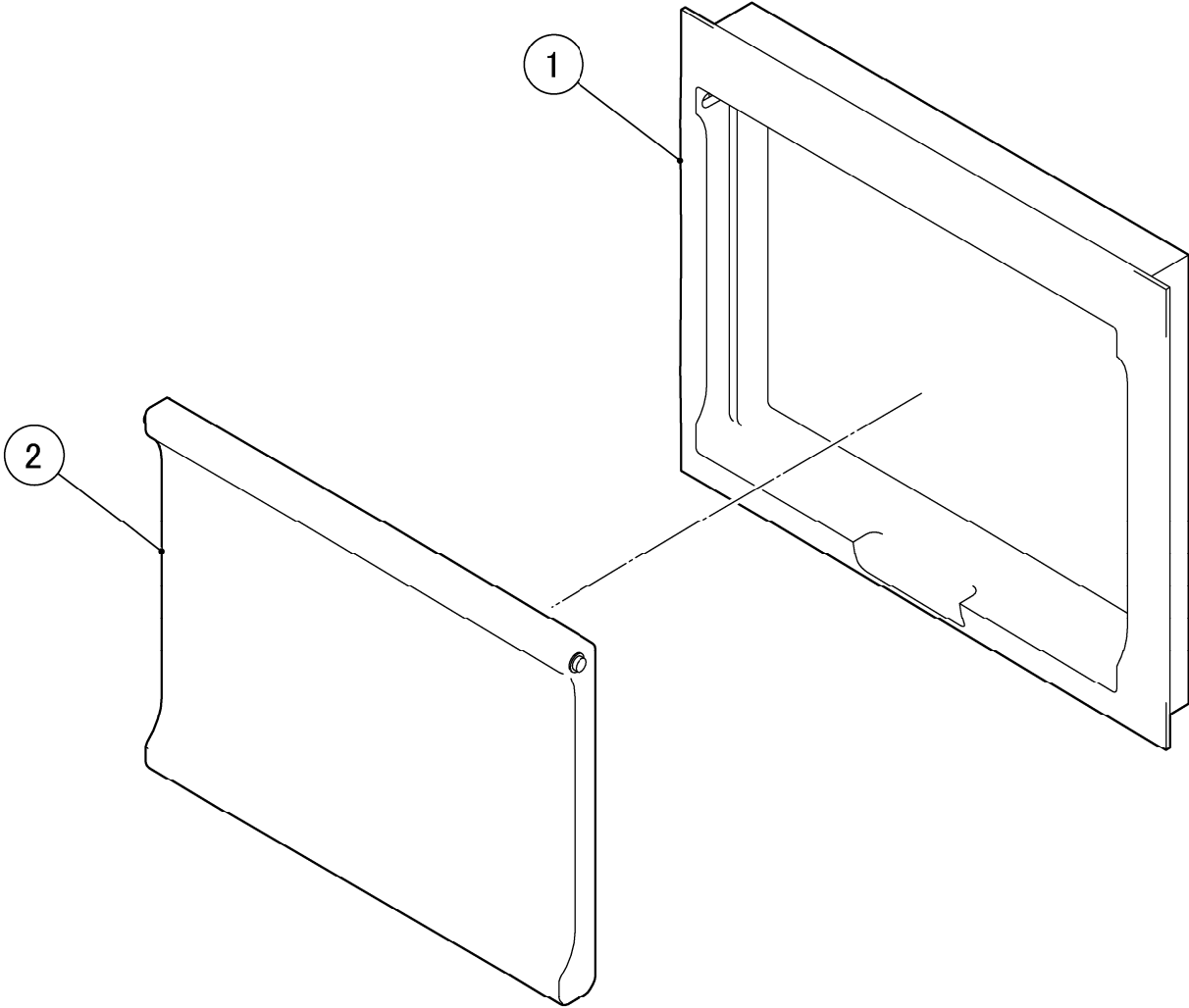
MODEL: FM-150KE, FM-150KE-N					TITLE: D. WATER CIRCUIT				
INDEX NO.	DESCRIPTION	MATERIAL OR MODEL NUMBER	PART NUMBER	REQ'D NUMBER					
				B-1					
1	WATER VALVE		452993-01	1					
2	HEX HEAD BOLT		FBH0408F0	2					
3	SI HOSE		H11114200	1					
4	PIPE BRACKET		476456M01	1					
5	TRUSS HEAD MACHINE SCREW		FST0408F0	4					
6	CLAMP		428644-03	2					
7	FLOAT SWITCH		458279-01	1					
8	RESERVIOR BRACKET		362979-01	1					
9	TAPER COLLAR		4H0171-01	1					
10	RIVET	SSD43BS	7170-0003	1					
11	RESERVOIR		232626-01	1					
12	COVER - RESERVOIR		232627-01	1					
13	COVER - RESERVOIR INLET		415094-01	1					
14	WATER SUPPLY PIPE (A)		476457M01	1					
15	STOPPER COVER(R)		4X1497G01	1					
16	PVC Hose		HA2226300	1					
17	HOSE A		458308-01	1					
18	DRAIN PAN		261640P01	1					
19	DRAIN PIPE		321035-01	1					
20	PVC Hose		HA1923340	1					
21	PVC Hose		HA2226030	1					
22	INSULATION TUBE		H72636B18	1					
23	TIE	CV-150	7920-0003	7					
24	TRUSS HEAD TAPPING SCREW T2		FT20410F0	2					
25	BRACKET/WV		476458M01	1					
26	WATER VALVE		468655-01	1					
27	DRAIN PIPE		460263-01	1					
28	TRUSS HEAD MACHINE SCREW		FST0408S0	2					
29	HEX HEAD BOLT (SPRING WASHER		FBK0508S0	2					
30	PVC Hose - FSA		HD0912240	1					
31	HOSE CLAMP		435934-03	1					

HE

MODEL: FM-150KE, FM-150KE-N					TITLE: D. WATER CIRCUIT				
INDEX NO.	DESCRIPTION	MATERIAL OR MODEL NUMBER	PART NUMBER	REQ'D NUMBER					
				B-1					
32	HOSE CLAMP		435934-02	1					
33	CLIP BAND		423866-08	1					
34	CLAMP		423866-04	1					
35	HOSE CLAMP		435934-01	2					
36	NYLON TIE	CV-200	7920-0010	2					
37	DRAIN PIPE		476676M01	1					
38	DRAIN JOINT		358882-01	1					
39	CAP		417323-01	1					

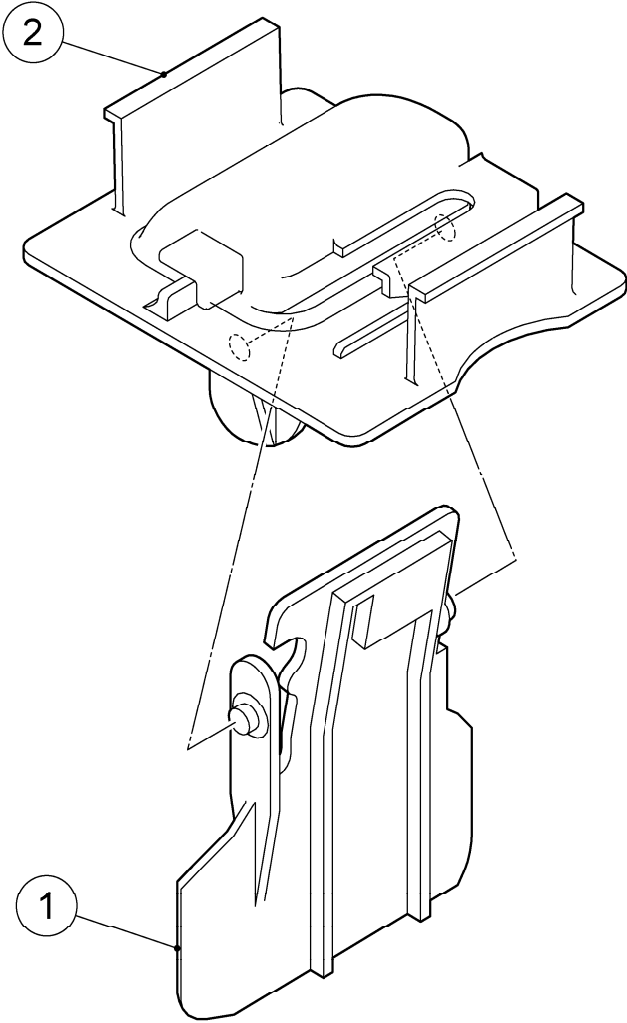




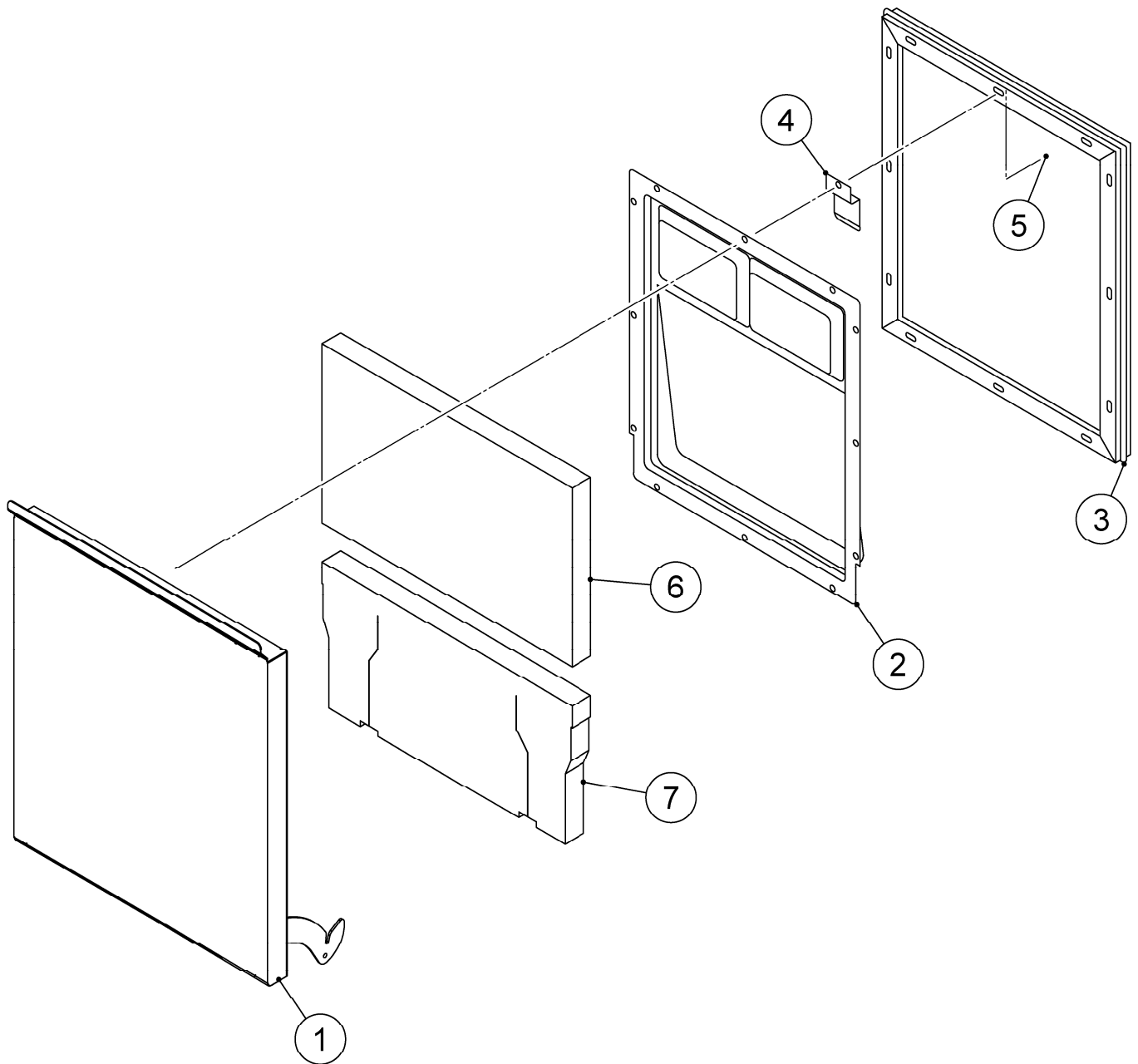




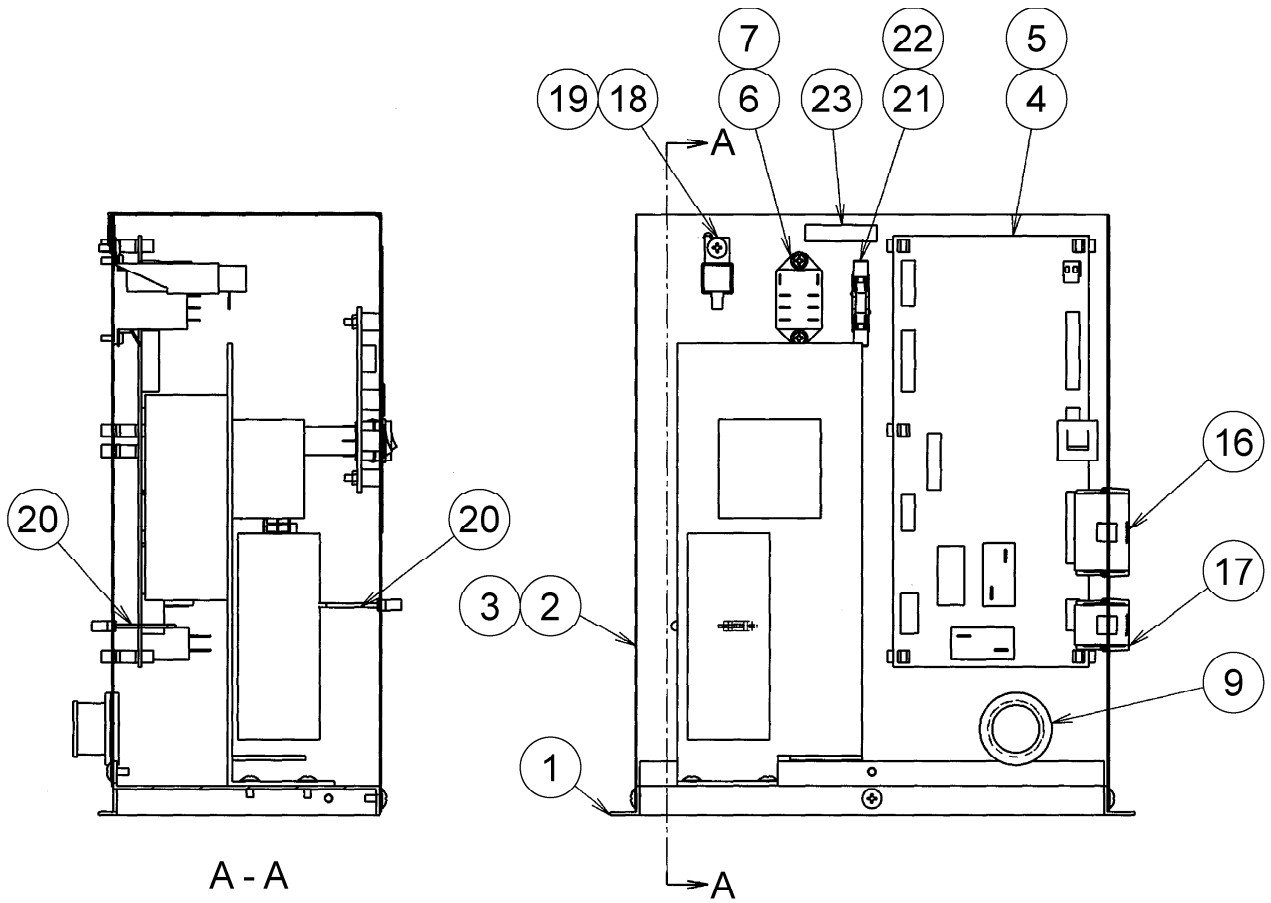
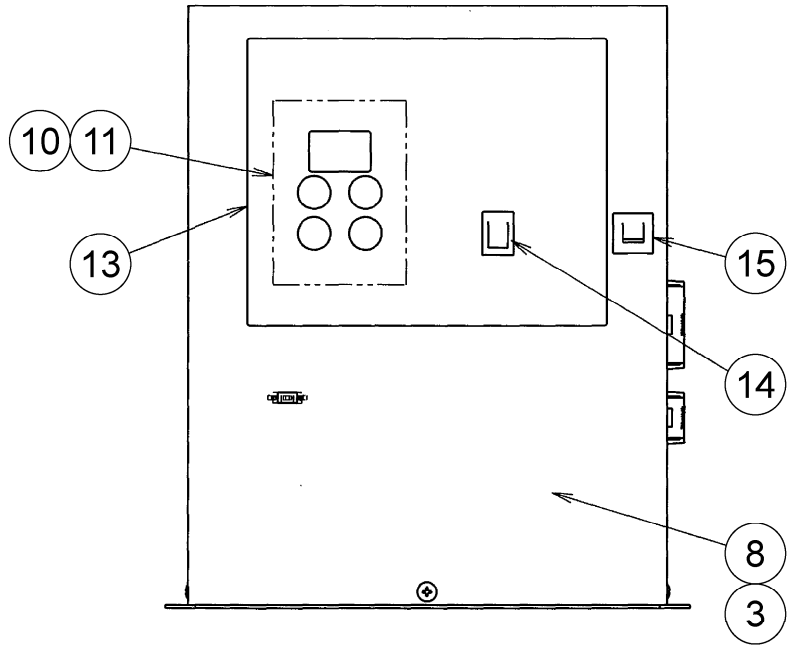




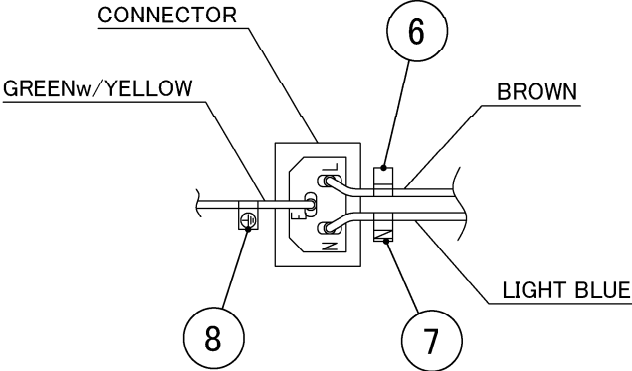
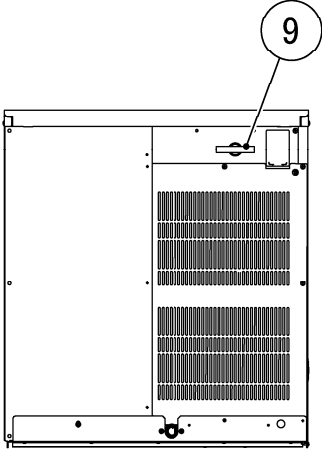
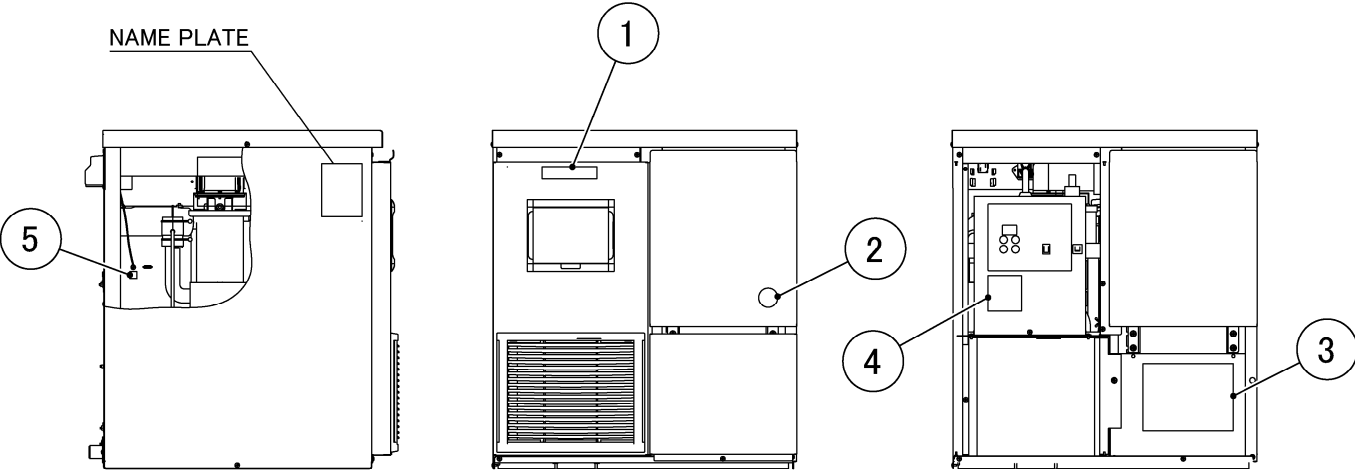












DETAIL LABEL - TERMINAL





