



MODULAR CUBER  
MACHINE A GLAÇONS MODULAIRE  
MODULARER WÜRFELEISBEREITER  
IJSBLOKJESMACHINE MET LOSSE OPSLAGBUNKER  
FABRICADOR MODULAR DE CUBITOS DE HIELO  
CUBETTATRICE MODULARE  
МОДУЛЬНЫЙ ЛЬДОГЕНЕРАТОР КУБИКОВОГО ЛЬДА

# INSTALLATION MANUAL NOTICE D'INSTALLATION INSTALLATIONSANLEITUNG INSTALLATIE VOORSCHRIFT MANUAL DE INSTALACION MANUALE PER L'INSTALLAZIONE РУКОВОДСТВО ПО УСТАНОВКЕ



FOR QUALIFIED INSTALLER ONLY  
RESERVE A L'INSTALLATEUR  
FÜR DEN INSTALLATEUR  
VOOR DE BEVOEGDE INSTALLATEUR  
SOLAMENTE PARA INSTALADOR CUALIFICADO  
SOLTANTO PER INSTALLATORI QUALIFICATI  
ТОЛЬКО ДЛЯ КВАЛИФИЦІРОВАННИХ МОНТАЖНИКОВ

**IM-130ANE-HC**  
**IM-240ANE-HC**

L2E1GA202 (090514)

<b>ENGLISH</b>	IMPORTANT SAFETY INFORMATION .....	1
	1. CONSTRUCTION .....	3
	2. ACCESSORIES .....	3
	3. UNPACKING .....	3
	4. LOCATION .....	4
	5. INSTALLATION .....	5
	6. ELECTRICAL CONNECTIONS .....	6
	7. WATER SUPPLY AND DRAIN CONNECTIONS .....	6
	8. START-UP PROCEDURE .....	7
	9. FINAL CHECKS .....	8
<b>FRANCAIS</b>	INFORMATIONS DE SECURITE IMPORTANTES .....	9
	1. CONSTRUCTION .....	11
	2. ACCESSOIRES .....	11
	3. DEBALLAGE .....	11
	4. EMLACEMENT .....	12
	5. INSTALLATION .....	13
	6. BRANCHEMENTS ELECTRIQUES .....	14
	7. BRANCHEMENTS D'ARRIVEE ET DE VIDANGE D'EAU .....	15
	8. PROCEDURE DE MISE EN ROUTE .....	16
	9. DERNIERS CONTROLES .....	16
<b>DEUTSCH</b>	WICHTIGE SICHERHEITSHINWEISE .....	17
	1. KONSTRUKTION .....	19
	2. ZUBEHÖR .....	19
	3. AUSPACKEN .....	19
	4. AUFSTELLORT .....	20
	5. INSTALLATION .....	21
	6. ELEKTRISCHE ANSCHLÜSSE .....	22
	7. WASSERZULAUF- UND WASSERABLAUFANSCHLÜSSE .....	22
	8. START-VERFAHREN .....	23
	9. ABSCHLUSSTESTS .....	24
<b>NEDERLANDS</b>	BELANGRIJKE VEILIGHEIDSINFORMATIE .....	25
	1. CONSTRUCTIE .....	27
	2. TOEBEHOREN .....	27
	3. UITPAKKEN .....	27
	4. PLAATSING .....	28
	5. INSTALLATIE .....	29
	6. ELEKTRISCHE AANSLUITINGEN .....	30
	7. AANSLUITING VAN WATERTOEVER- EN WATERAFVOERLEIDINGEN .....	31
	8. OPSTARTPROCEDURE .....	32
	9. LAATSTE CONTROLES .....	32
<b>ESPAÑOL</b>	INFORMACIÓN IMPORTANTE DE SEGURIDAD .....	33
	1. CONSTRUCCIÓN .....	35
	2. ACCESORIOS .....	35
	3. DESEMBALAJE .....	35
	4. UBICACIÓN .....	36
	5. INSTALACIÓN .....	37
	6. CONEXIONES ELÉCTRICAS .....	38
	7. SUMINISTRO DE AGUA Y CONEXIONES DE DRENAJE .....	38
	8. PROCEDIMIENTO DE PUESTA EN MARCHA .....	39
	9. COMPROBACIONES FINALES .....	40
<b>ITALIANO</b>	INFORMAZIONI IMPORTANTI SULLA SICUREZZA .....	41
	1. COMPONENTI .....	43
	2. ACCESSORI .....	43
	3. DISIMBALLAGGIO .....	43
	4. UBICAZIONE .....	44
	5. INSTALLAZIONE .....	45
	6. COLLEGAMENTI ELETTRICI .....	46
	7. COLLEGAMENTO DI ALIMENTAZIONE DELL'ACQUA E COLLEGAMENTO DI SCARICO .....	46
	8. PROCEDURA DI AVVIO .....	47
	9. CONTROLLI FINALI .....	48

---

**РУССКИЙ**

ВАЖНЫЕ УКАЗАНИЯ ПО ТЕХНИКЕ БЕЗОПАСНОСТИ.....	49
1. КОНСТРУКЦИЯ.....	51
2. ПРИНАДЛЕЖНОСТИ.....	51
3. РАСПАКОВКА .....	51
4. МЕСТО УСТАНОВКИ .....	52
5. УСТАНОВКА.....	53
6. ЭЛЕКТРИЧЕСКИЕ СОЕДИНЕНИЯ.....	54
7. ПОДКЛЮЧЕНИЕ ЛИНИЙ ПОДАЧИ ВОДЫ И СЛИВА .....	55
8. ПРОЦЕДУРА ЗАПУСКА.....	56
9. ПОСЛЕДНЯЯ ПРОВЕРКА.....	56

## IMPORTANT SAFETY INFORMATION

Throughout this manual, notices appear to bring your attention to situations which could result in death, serious injury, or damage to the unit.

<b>▲WARNING</b>	Indicates a hazardous situation which, if not avoided, could result in death or serious injury.
<b>▲CAUTION</b>	Indicates a hazardous situation which, if not avoided, could result in minor or moderate injury.
<b>NOTICE</b>	Indicates a hazardous situation which, if not avoided, could result in damage to the unit.
<b>▲HYGIENE</b>	Indicates important precautions for hygiene and food safety.
<b>IMPORTANT</b>	Indicates important information about the use and care of the unit.

This icemaker uses HFC-free refrigerant (propane) that is a non-ozone-depleting and environmentally sustainable material having very low global warming potential.

<b>▲WARNING</b>	
This icemaker contains flammable refrigerant in its cooling unit; installation, handling, servicing and disposal must therefore only be carried out by authorized technicians.	
The refrigerant contained in this icemaker is flammable and sealed in the refrigeration system. Although the refrigerant does not leak out under normal usage, take utmost care when handling this icemaker so as not to cause any damages to the system.	
In the case of accidental damage to the refrigeration system causing refrigerant leak:	
<ul style="list-style-type: none"> <li>* Do not create a source of ignition in the area.</li> <li>* Do not operate electrical switches or plugs in the area.</li> <li>* Do not use naked flame.</li> <li>* Immediately ventilate the area by opening doors and/or windows.</li> <li>* Call service engineer.</li> </ul>	

<b>IMPORTANT</b>	
In order to carry out safe and proper installation of the product, please read this booklet carefully beforehand and follow the instructions contained within.	
On completion of the installation, start up the icemaker to check for any abnormalities. Instruct the user on how to use and maintain the icemaker in accordance with the instruction manual.	
This booklet should be handed over to the user after the installation and be preserved by the user together with the instruction manual for any further consultation that may be necessary.	

<b>▲WARNING</b>	
This is a commercial icemaker, and should be destined only to be used for the purpose for which it has been expressly designed and attached to a suitable storage bin as specified by Hoshizaki.	
Any other use should be considered improper and therefore dangerous. The manufacturer will not be held liable or responsible for any damage caused by improper, incorrect and unreasonable use.	
<b>The installation, and relocation if necessary, must be carried out by qualified personnel, in accordance with current regulations, according to the manufacturer's instructions.</b>	

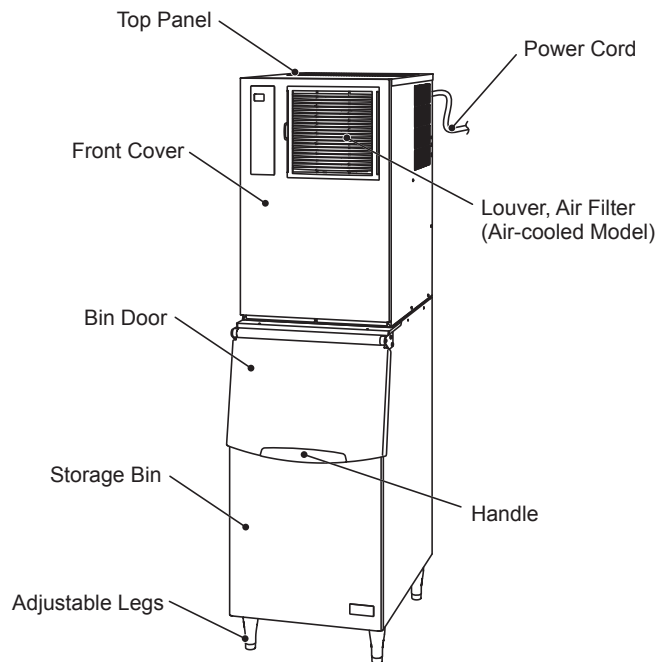
# ENGLISH

---

Keep ventilation openings, in the appliance enclosure or in the built-in structure, clear of obstruction.

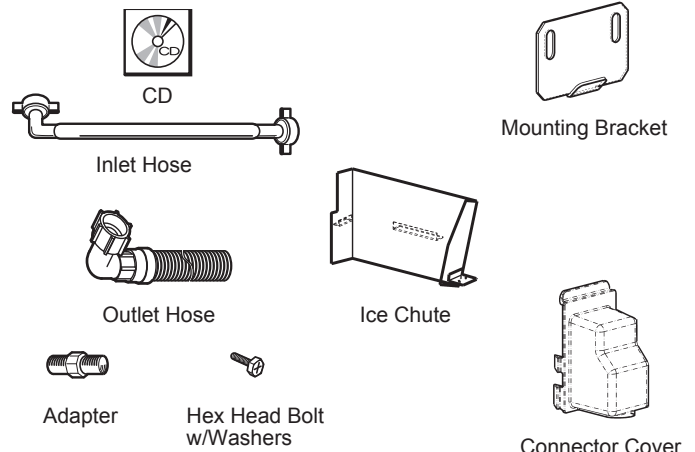
Do not use mechanical devices or other means to accelerate the defrosting process, other than those recommended by the manufacturer.

## 1. CONSTRUCTION



## 2. ACCESSORIES

	IM-130ANE-HC	IM-240ANE-HC
CD	1	1
Inlet Hose	1	1
Outlet Hose	1	1
Adapter	-	-
Mounting Bracket	2	2
Hex Head Bolt w/Washers 5 x 12	2	2
Ice Chute	1	1
Hex Head Bolt w/Washers 4 x 10	2	2
Connector Cover	1	1



## 3. UNPACKING

### ⚠ WARNING

Children should not be allowed in reach of the packaging elements (plastic bags and expanded polystyrene) as they are potential sources of danger.

### ⚠ CAUTION

Do not lift or manoeuvre the carton by using the shipping bands.

When moving the unit by hand, remove the panels and hold the unit frame.

Always wear protective gloves when carrying the unit.

When handling the carton or the unpacked unit, work in pair to prevent injury.

### NOTICE

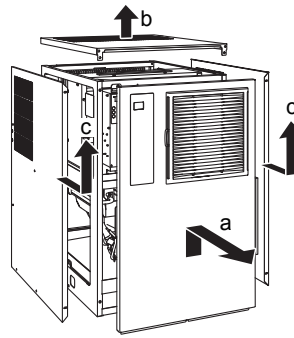
Remove shipping carton, tape(s) and packing. If packing material is left in the icemaker, it will not work properly.

Note: This icemaker needs a storage bin. Hoshizaki recommends the following ice storage bins:

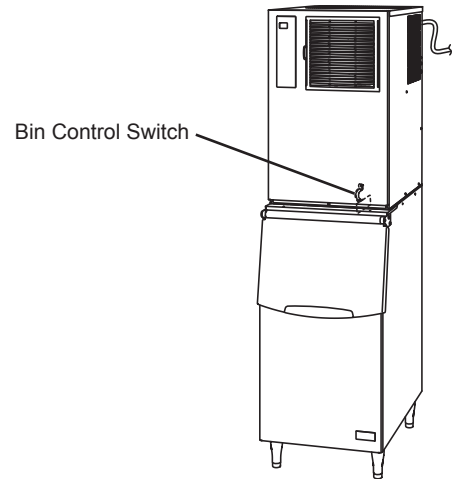
- B301SA-----for combination with one icemaker
- B501SA (Top Kit 8D) -----for combination with one icemaker
- B801SA (Top Kit 4DM)-----for combination with two icemakers

# ENGLISH

- 1) After removing the packaging, make sure that the icemaker and the storage bin are in good condition. If in doubt, please do not use the icemaker but apply to professionally qualified personnel. See the instruction sheet attached to the storage bin for its unpacking and installation guidelines.
- 2) Remove the icemaker panels to gain access to the accessory kit and to assist easier installation.
- 3) Remove the package of accessories. Check the contents according to "2. ACCESSORIES".
- 4) Remove the shipping tape holding the bin control switch.
- 5) Remove the protective plastic film from the exterior. If the icemaker is exposed to the sun or to heat, remove the film after the icemaker cools.



- a) Front Cover: Remove the screw(s). Lift up and pull toward you.
- b) Top Panel: Remove the screw(s). Simply lift off.
- c) Side Panel: Remove the screw(s). Slide forward slightly, and then lift off.
- d) Rear Panel: Does not require removal.



## 4. LOCATION

### ⚠ WARNING

This icemaker is not intended for outdoor use.

The icemaker should not be located next to ovens, grills or other high heat producing equipment.

This appliance is not suitable for installation in an area where a water jet could be used.

In some high humidity environments, condensation may form inside the machine and drip onto the floor. Do not install where the floor can be affected by water.

### ⚠ CAUTION

The location should provide a firm and level foundation for the icemaker.

### NOTICE

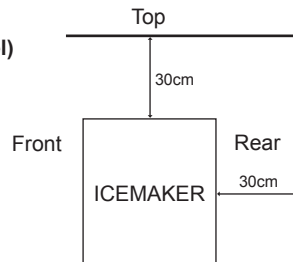
Do not place anything on top of the icemaker or in front of the louver.

### IMPORTANT

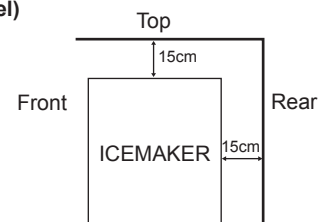
Normal operating ambient temperature should be within 1°C to 40°C. Water connection is cold water only. Operation of the icemaker, for extended periods, outside of these normal temperature ranges may affect production capacity.

Allow the clearance specified below for proper air circulation and ease of maintenance and/or service should they be required.

**Side View  
(Air-cooled model)**



**Side View  
(Water-cooled model)**



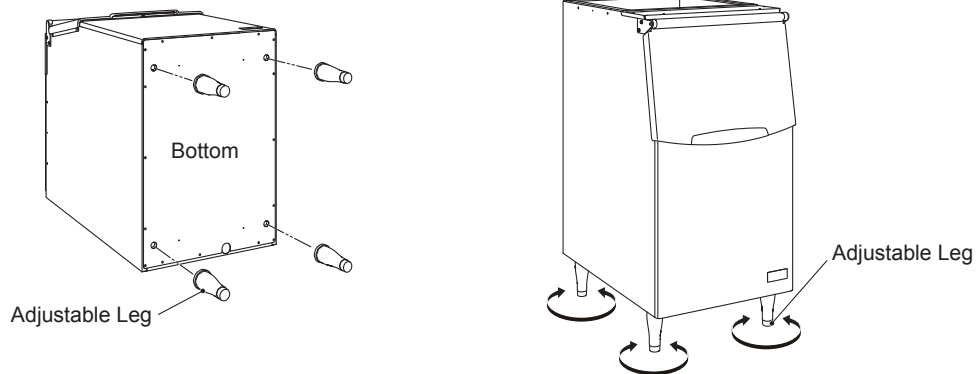
Avoid prolonged exposure of the appliance to direct sunlight.

## 5. INSTALLATION

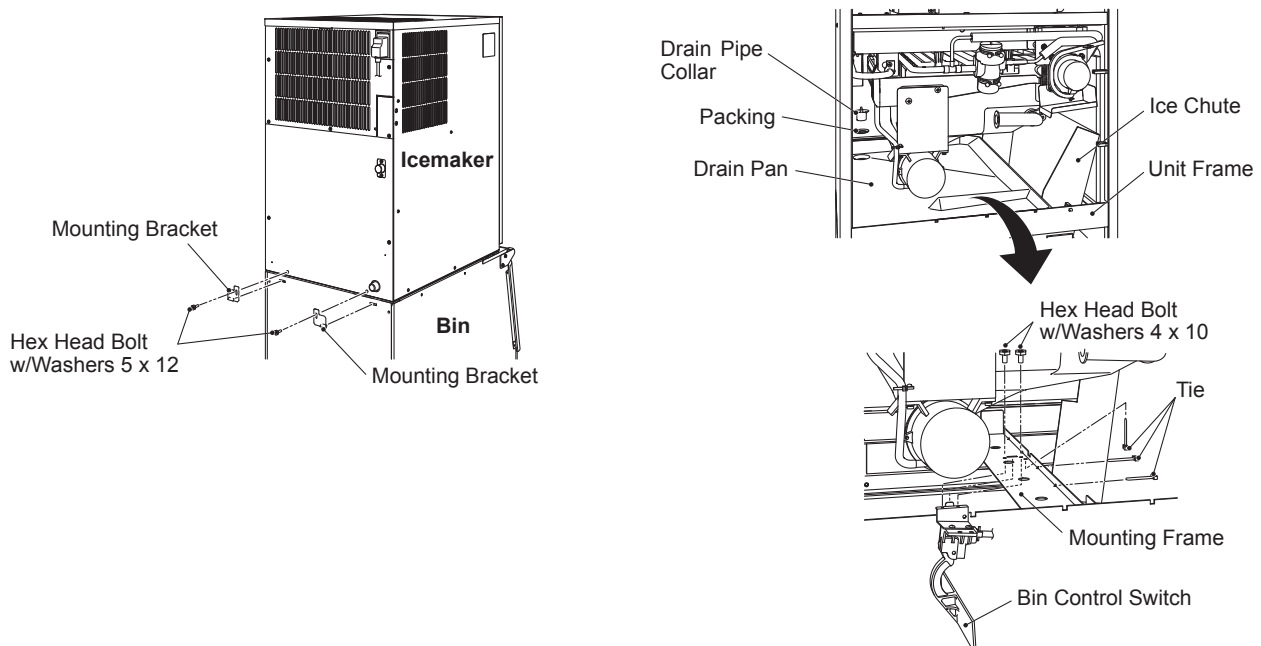
### ⚠ CAUTION

Incorrect installation can cause harm to people, animals or other items, for which the manufacturer cannot be held responsible.

- 1) Lay the storage bin on its rear side carefully to prevent damage. Secure the four adjustable legs (bin accessory) into the four tapped holes on the underside of the bin.
- 2) Position the storage bin in the selected permanent position, and level it in both the left-to-right and front-to-rear directions.



- 3) Remove the icemaker panels. The rear panel is not required to be removed for installation. See "3. UNPACKING".
- 4) Place the icemaker on the top of the storage bin by holding the bottom.
- 5) Secure the icemaker to the storage bin at the rear, by using the mounting brackets and bolts provided.
- 6) Seal the seam between the icemaker and the storage bin with food grade sealant.
- 7) Remove the drain pipe collar and drain pan. Secure the bin control switch to the mounting frame using the two bolts provided. Fix the bin control switch wiring with the two nylon ties. Place the ice chute on the unit frame, and refit the drain pan in its correct position.
- 8) Replace the icemaker panels in their correct position.





# ENGLISH

## 6. ELECTRICAL CONNECTIONS

### ⚠ WARNING

#### THIS APPLIANCE MUST BE EARTHED

This icemaker requires an earth that meets the national and local electrical code requirements.

To prevent possible severe electrical shock to individuals or extensive damage to the unit, install a proper earth wire to the icemaker.

Disconnect the main power supply before any maintenance, repairs or cleaning is undertaken.

- \* This appliance requires a separate 220 - 240VAC, 13A supply. The electrical supply must be protected by a suitable circuit breaker.
- \* Icemakers installed side by side should each have a separate receptacle, but they must all be connected in parallel to the same single phase supply or circuit with sufficient ampacity.
- \* The main control box fuse is rated at 5A and should only be replaced by a qualified service engineer.
- \* Usually an electrical permit and services of a licensed electrician are required.
- \* If the supply cord is damaged, it must be replaced by a replacement cord available from Hoshizaki Parts/Service Centres.
- \* In accordance with the requirement of the IEC standard, the maximum permissible system impedance ( $Z_{max}$ ) at the interface point of the power supply to be connected with this icemaker must be  $0.23+j0.23$  ohm. Determine in consultation with the supply authority, if necessary, that the icemaker is connected only to a supply of  $0.23+j0.23$  ohm or less.

#### For the U.K. and the Republic of Ireland only

- \* The wires in the mains lead are coloured in accordance with the following code:

Green & Yellow = Earth

Blue = Neutral

Brown = Live

As the colours of the wire in the mains lead of this appliance may not correspond with the coloured markings identifying the terminals in your plug, proceed as follows:

The wire which is coloured Green-and-Yellow must be connected to the terminal in the plug which is marked with the letter E or by the symbol  $\perp$  or coloured Green or Green-and-Yellow. The wire which is coloured Blue must be connected to the terminal which is marked with the letter N or coloured Black. The wire which is coloured Brown must be connected to the terminal which is marked with the letter L or coloured Red.

- \* Should the socket outlets in the installation site not be suitable for the plug supplied with your product, the plug must be removed (cut off if it is moulded on plug) and an appropriate plug fitted.

If the non-rewirable plug has been cut from the power supply cord, it must be disposed of. There should be no attempt to reuse it. Inserting such a plug into a socket elsewhere presents a serious risk of electrical shock.

- \* The non-rewirable plug must never be used without a fuse cover being fitted.

The correct replacement for the detachable fuse cover is identifiable from the manufacturer's reference number stamped on the plug.

Supply of replacement fuse covers can be obtained from Hoshizaki Parts/Service Centres.

Fuses should be rated at 13A and approved to BS 1362.

## 7. WATER SUPPLY AND DRAIN CONNECTIONS

### ⚠ WARNING

Connect to potable cold water supply only.

- \* The connections to the mains water supply must be made in accordance with the countries' current requirements of the Water Supply or Water Fittings Regulations.

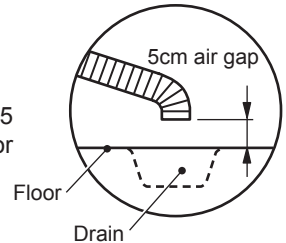
- \* Icemaking water must be potable water. Where scaling can be caused by water quality:
  - Installation of an external filter or softener is recommended. Contact your local water treatment professional or Hoshizaki service agent.
  - Change to the “full drain flush” mode is recommended. Contact your local Hoshizaki service agent.

\* Water supply pressure should be minimum 0.07 MPa (0.7 bar) and maximum 0.78 MPa (8 bar). If the pressure exceeds 0.78 MPa (8 bar), use a proper pressure reducing valve. Do **NOT** throttle back the supply tap.

\* A plumbing permit and services of a licensed plumber may be required in some areas.

\* The icemaker drain is gravity flow, so ensure drain hose has an adequate pitch or fall.

\* Drain lines should not be installed directly to the sewer system. A vertical air gap of a minimum of 5 cm should be between the end of the drain hoses from the icemaker and storage bin and the floor drain.



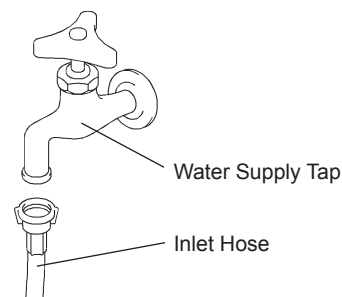
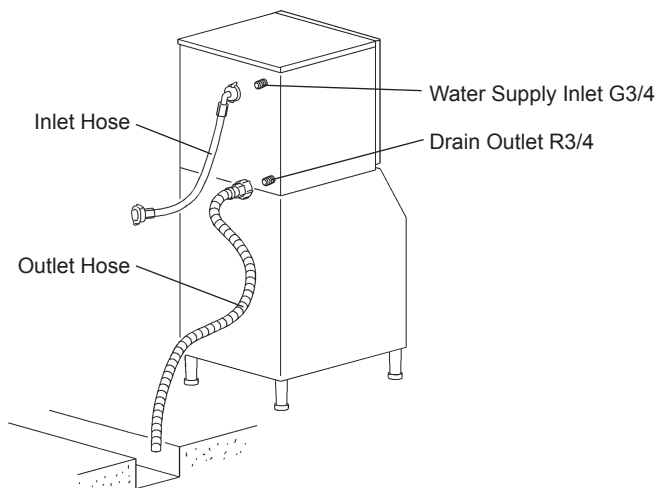
\* Prevent a backflow into the storage bin.

\* Be sure to use the new hose-sets supplied with the appliance. Do not reuse any old hose-sets.

1) Attach the angled end of flexible inlet hose (accessory) to the G3/4 fitting on the rear of the icemaker as indicated, ensuring rubber sealing washer is correctly positioned. Hand tighten sufficiently to provide leak free joint.

2) Attach the other end of inlet hose to the water tap, noting washer is correctly positioned before hand tightening as above. It is a wise precaution to have a stop valve within easy reach.

3) Hand tighten grey flexible outlet hose (accessory) onto the R3/4 fitting on the rear of the icemaker as indicated, ensuring rubber washer is correctly positioned to obtain a leak free joint. The hose can be cut to length as necessary to suit position of main drain.



## 8. START-UP PROCEDURE

- 1) Open the water tap.
- 2) Connect the power supply and energise.
- 3) The display indicates “on”.
- 4) The following should occur in sequence:
  - a) Hot gas valve will open.
  - b) Compressor will start after 30 seconds.
  - c) Water pan will fully open.
  - d) Water solenoid will open.
  - e) Water pan will start to close (hot gas valve closed).
  - f) Water pan fully closed - pump motor will start.
  - g) Water solenoid will close.

<b>▲HYGIENE</b>
Check the conditions and quality of the ice production.
Do not use ice produced in the trial run. It might be contaminated with foreign matter in the water circuit. Discard or flush down the drain.
Clean the storage bin before use (see "III. 1. CLEANING" in instruction manual).

## 9. FINAL CHECKS

- 1) Check for correct supply voltage.
- 2) Check that the icemaker is properly earthed.
- 3) Check that the icemaker is free from vibration.
- 4) Check that all the panels are fixed and secure.
- 5) Check for proper operation according to "8. START-UP PROCEDURE".
- 6) Check the water supply and drain connections for water leaks.
- 7) Instruct the user on correct machine use. Hand the instruction manual to the user.

## INFORMATIONS DE SECURITE IMPORTANTES

Tout au long de ce manuel, des avis attirent votre attention sur des situations qui pourraient entraîner la mort, des blessures graves ou des dégâts à l'appareil.

<b>▲AVERTISSEMENT</b>	Signale une situation dangereuse qui, si elle n'est pas évitée, peut entraîner des blessures graves voire mortelles.
<b>▲ATTENTION</b>	Signale une situation dangereuse qui, si elle n'est pas évitée, peut entraîner des blessures mineures ou modérées.
<b>AVIS</b>	Signale une situation dangereuse qui, si elle n'est pas évitée, peut entraîner des dégâts à l'appareil.
<b>▲HYGIENE</b>	Signale des précautions importantes à prendre en matière d'hygiène et de sécurité alimentaire.
<b>IMPORTANT</b>	Signale des informations importantes sur l'utilisation de l'appareil et son entretien.

La machine à glace emploie du fluide frigorigène exempt de HFC (propane), une substance non nocive pour la couche d'ozone et durable qui a très peu d'impact sur le réchauffement mondial.

<b>▲AVERTISSEMENT</b>
L'unité de refroidissement de la machine à glace contenant des fluides frigorigènes inflammables, son installation, sa manipulation, son entretien et sa mise au rebut ne doivent être réalisés que par des techniciens agréés.
Le fluide frigorigène de cette machine à glace est inflammable et est enfermé dans le système de réfrigération. Bien que le fluide frigorigène ne présente aucun risque de fuite dans des conditions d'utilisation normales, manipulez la machine à glace avec la plus grande précaution afin d'éviter d'endommager le système.
En cas de fuite de fluide frigorigène résultant d'un dommage accidentel au système de réfrigération : <ul style="list-style-type: none"><li>* Interdire toute étincelle ou corps incandescent dans le voisinage.</li><li>* N'utiliser aucun interrupteur ni prise électrique dans le voisinage.</li><li>* Ne pas utiliser de flamme nue.</li><li>* Ventiler immédiatement la pièce en ouvrant les portes et/ou fenêtres.</li><li>* Appeler un technicien de réparation.</li></ul>

<b>IMPORTANT</b>
Afin d'installer correctement le produit avec toutes les garanties de sécurité, veuillez d'abord lire attentivement cette notice et suivez soigneusement les instructions.
A la fin de l'installation, mettre la machine à glace en service pour vérifier l'absence d'anomalies. Indiquer à l'utilisateur comment utiliser et entretenir la machine à glace conformément à la notice d'utilisation.
Cette notice doit être remise à l'utilisateur après l'installation et conservée par ce dernier avec la Notice d'utilisation pour consultation ultérieure éventuelle.

## ▲AVERTISSEMENT

Cette machine à glace a été conçue pour des applications commerciales ; elle ne peut être utilisée qu'aux fins auxquelles elle est expressément destinée, et fournie avec un bac de stockage adapté tel que spécifié par Hoshizaki.

Toute autre utilisation doit être considérée comme inappropriée et donc dangereuse. Le fabricant décline toute responsabilité pour les dégâts provoqués par une utilisation inappropriée, incorrecte et abusive.

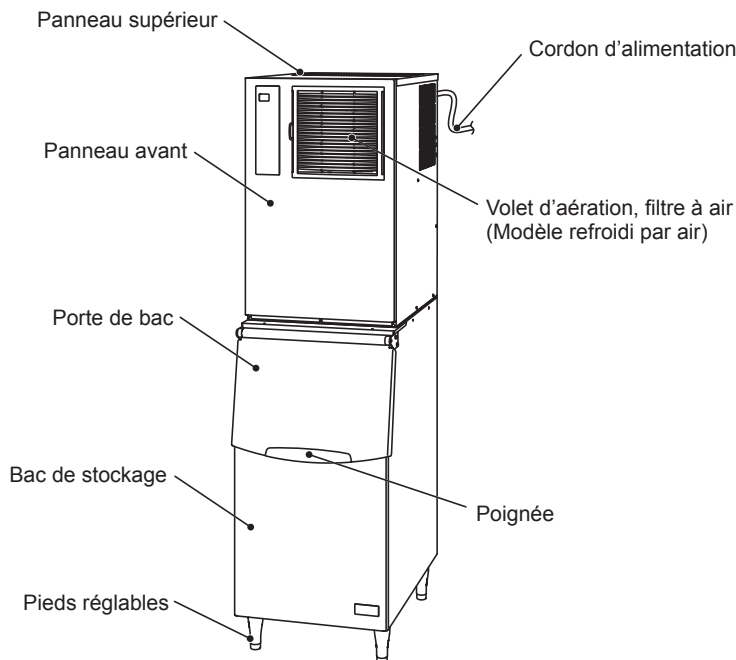
**L'installation, et le transfert le cas échéant, doivent être effectués par un personnel qualifié**, conformément aux réglementations en vigueur et aux consignes du fabricant.

Veillez à ce que les ouvertures de ventilation de l'enceinte de l'appareil et de la structure intégrée ne soient pas obstruées.

Pour accélérer le processus de décongélation, ne pas utiliser d'équipements mécaniques ni des méthodes autres que celles recommandées par le fabricant.

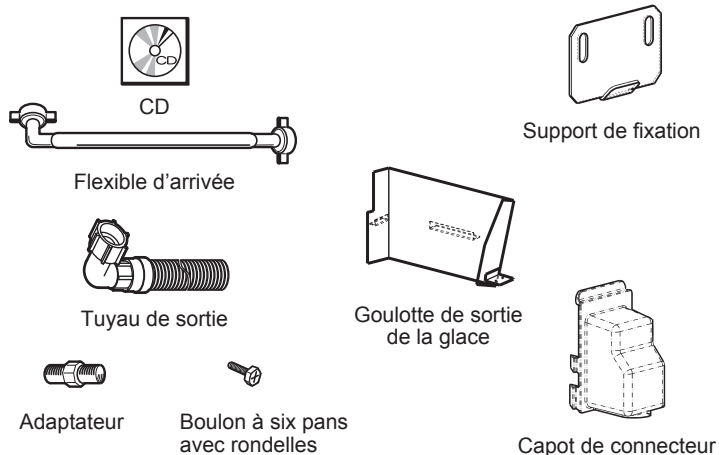
# FRANCAIS

## 1. CONSTRUCTION



## 2. ACCESSOIRES

	IM-130ANE-HC	IM-240ANE-HC
CD	1	1
Flexible d'arrivée	1	1
Tuyau de sortie	1	1
Adaptateur	-	-
Support de fixation	2	2
Boulon à six pans avec rondelles 5 x 12	2	2
Goulotte de sortie de la glace	1	1
Boulon à six pans avec rondelles 4 x 10	2	2
Capot de connecteur	1	1



## 3. DEBALLAGE

### ⚠ AVERTISSEMENT

Les enfants doivent être tenus à l'écart des éléments d'emballage (sacs en plastique et polystyrène expansé) car ils constituent des sources de danger potentielles.

### ⚠ ATTENTION

Ne pas soulever ou déplacer le carton en utilisant les sangles d'emballage.

En cas de déplacement de l'appareil à la main, retirer les panneaux et tenir le châssis de l'appareil.

Toujours porter des gants de protection lors du transport de l'appareil.

Lors de la manipulation du carton ou de l'appareil déballé, travailler à deux pour éviter les blessures.

### AVIS

Enlever le carton de transport, le ruban adhésif et le matériel d'emballage. S'il reste des matériaux d'emballage dans la machine à glace, elle ne fonctionnera pas correctement.

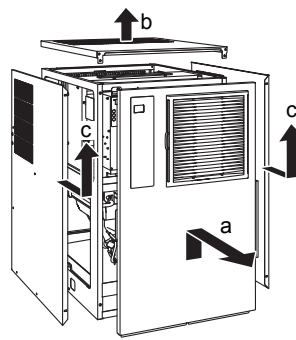
Remarque : Cette machine à glace doit être équipée d'un bac de stockage. Hoshizaki recommande l'utilisation des bacs de stockage suivants :

B301SA ----- pour combinaison avec une seule machine à glace

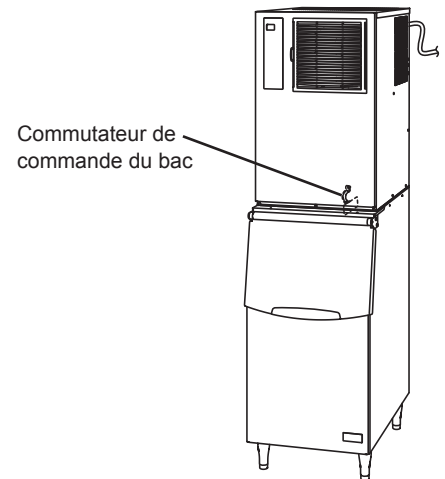
B501SA (Kit supérieur 8D) ----- pour combinaison avec une seule machine à glace

B801SA (Kit supérieur 4DM) ----- pour combinaison avec deux machines à glace

- 1) Après avoir enlevé les matériaux d'emballage, vérifier que la machine à glace et le bac de stockage sont en bon état. En cas de doute, ne pas utiliser la machine à glace et faire appel à un technicien qualifié. Voir les instructions de déballage et d'installation de la machine qui sont fixées au bac de stockage.
- 2) Retirer les panneaux de la machine à glace afin d'accéder au kit d'accessoires, et pour une installation plus facile.
- 3) Retirer le paquet d'accessoires. Vérifier le contenu conformément à la section « 2. ACCESSOIRES ».
- 4) Retirer le ruban d'emballage retenant le commutateur de commande de bac.
- 5) Retirer le film protecteur en plastique recouvrant l'extérieur. Si la machine à glace a été exposée au soleil ou à la chaleur, la laisser refroidir avant d'enlever le film.



- a) Panneau avant : Déposer les vis. Soulever et tirer vers soi.
- b) Panneau supérieur : Déposer les vis. Soulever.
- c) Panneau latéral : Déposer les vis. Faire légèrement coulisser vers l'avant, puis soulever.
- d) Panneau arrière : Il n'est pas nécessaire de le retirer.



## 4. EMPLACEMENT

### ⚠ AVERTISSEMENT

Cette machine à glace n'est pas conçue pour être utilisée à l'extérieur.

La machine à glace ne doit pas être placée à proximité de fours, de grills ou de toute autre source de chaleur importante.

Cet appareil n'est pas conçu pour être installé dans une zone où un jet d'eau peut être utilisé.

Dans certains environnements très humides, de la condensation peut se former à l'intérieur de la machine et couler sur le sol. Ne pas installer l'appareil sur un sol que l'eau pourrait endommager.

### ⚠ ATTENTION

La machine à glace doit avoir une assise solide et horizontale.

### AVIS

Ne rien poser sur le dessus de la machine ni devant le volet d'aération.

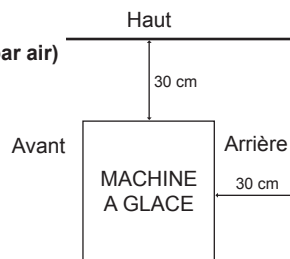
### IMPORTANT

La température ambiante normale de service doit être comprise entre 1 °C et 40 °C. Le raccordement à l'eau est uniquement pour de l'eau froide. Le fonctionnement de la machine en dehors de ces plages de températures, pendant des durées prolongées, risque d'affecter la capacité de production de glaçons.

Pour assurer une bonne circulation d'air et faciliter les opérations de maintenance ou d'entretien, prévoir le dégagement indiqué ci-dessous.

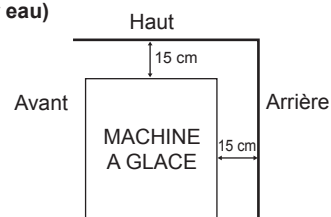
#### Vue latérale

(Modèle refroidi par air)



#### Vue latérale

(Modèle refroidi par eau)



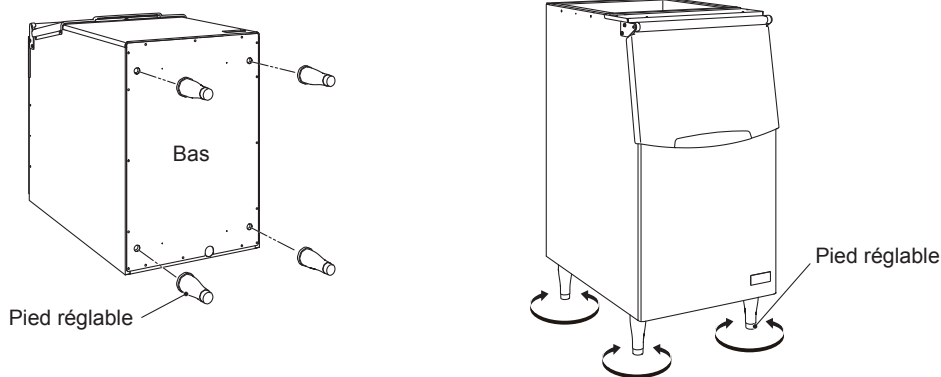
Éviter toute exposition prolongée de l'appareil à la lumière directe du soleil.

## 5. INSTALLATION

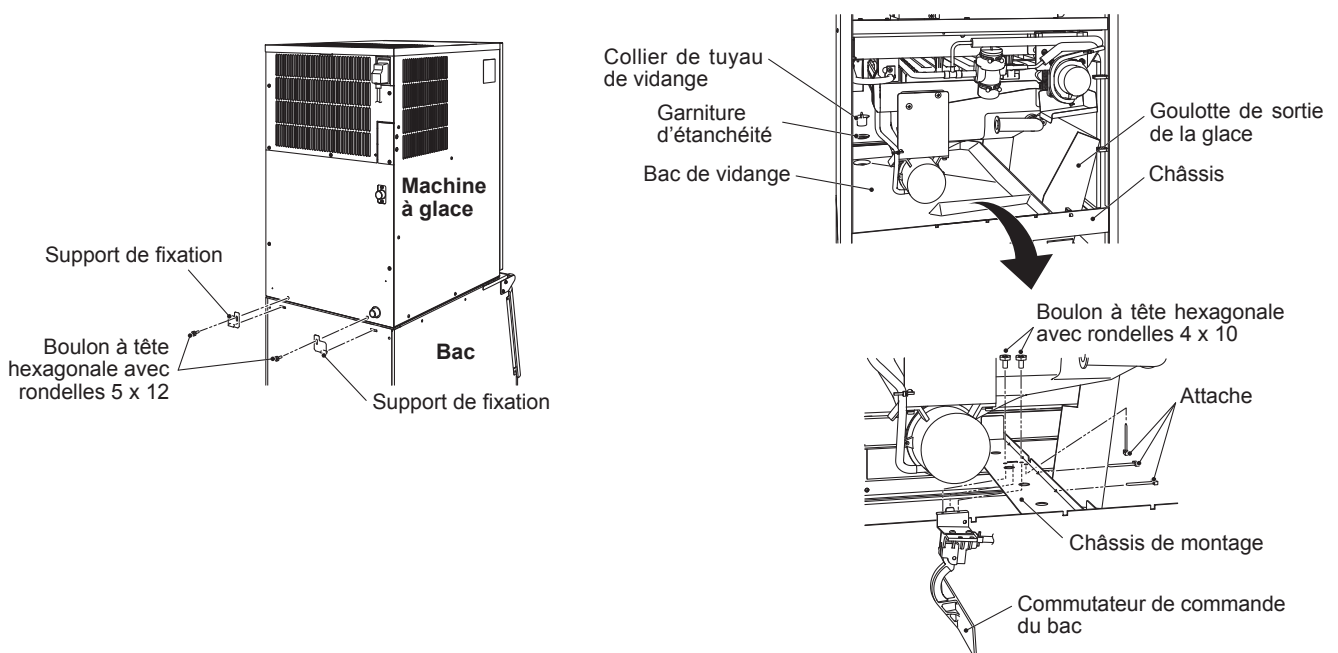
### ⚠ ATTENTION

Une installation incorrecte de la machine peut avoir des conséquences néfastes sur les personnes, les animaux ou d'autres choses, pour lesquelles le fabricant ne peut être tenu responsable.

- 1) Coucher le bac de stockage sur l'arrière en veillant à ne pas l'endommager. Fixer les quatre pieds réglables (accessoires de bac) dans les quatre orifices taraudés situés sous le bac.
- 2) Positionner le bac de stockage dans l'emplacement permanent choisi, puis le mettre à niveau dans le sens latéral et dans la profondeur.



- 3) Retirer les panneaux de la machine à glace. Il n'est pas nécessaire de retirer le panneau arrière lors de l'installation. Voir « 3. DEBALLAGE ».
- 4) Placer la machine à glace au-dessus du bac de stockage en tenant sa partie inférieure.
- 5) Fixer la machine à glace sur le bac de stockage par l'arrière en utilisant les supports de fixation et les boulons fournis.
- 6) Sceller le joint entre la machine à glace et le bac de stockage au moyen d'un mastic d'étanchéité répondant aux normes de l'industrie alimentaire.
- 7) Retirer le collier de tuyau de vidange et le bac de vidange. Fixer le commutateur de commande de bac au châssis de montage à l'aide des deux boulons fournis. Attacher le câble du commutateur de commande du bac à l'aide des deux colliers de nylon. Placer la goulotte de sortie de la glace sur le châssis et replacer le bac de vidange dans sa position correcte.
- 8) Replacer les panneaux de la machine à glace à leur position initiale.





## 6. BRANCHEMENTS ELECTRIQUES

### ▲ AVERTISSEMENT

#### CET APPAREIL DOIT ETRE MIS A LA TERRE

Cette machine à glace doit avoir une mise à la terre qui respecte les réglementations électriques nationales et locales.

Pour éviter tout risque de décharges électriques graves ou de dégâts importants à l'appareil, installer un câble de mise à la terre approprié sur la machine.

Avant toute opération de maintenance, réparation ou nettoyage, débrancher l'alimentation électrique.

- \* Cet appareil nécessite une alimentation 220 - 240 V CA 13 A séparée. L'alimentation électrique doit être protégée par un disjoncteur approprié.
- \* Les machines à glace installées les unes à côté des autres doivent toutes être équipées d'un connecteur séparé, mais elles doivent toutes être branchées en parallèle à la même alimentation/au même circuit monophasé(e) offrant une intensité admissible suffisante.
- \* Le fusible du boîtier de commande principal est étalonné à 5 A et ne doit être remplacé que par un technicien d'entretien qualifié.
- \* En général, l'installation nécessite une autorisation pour travaux électriques et les services d'un électricien qualifié.
- \* Si le cordon d'alimentation est endommagé, il doit être remplacé par un cordon de rechange disponible auprès des centres de pièces détachées et d'entretien Hoshizaki.
- \* Conformément aux exigences de la norme IEC, l'impédance maximale admise du système ( $Z_{max}$ ) au point d'interface de l'alimentation électrique à connecter à cette machine à glace doit être de  $0,23+j0,23$  ohm. S'assurer en concertation avec le fournisseur d'électricité, si nécessaire, que la machine à glace est raccordée uniquement à une alimentation de  $0,23+j0,23$  ohm ou moins.

#### Pour le Royaume-Uni et la République d'Irlande uniquement

- \* Les fils du cordon d'alimentation électrique présentent le codage couleur suivant :

Vert et jaune = Terre

Bleu = Neutre

Marron = Sous tension

La couleur des conducteurs du cordon d'alimentation de cet appareil peut ne pas correspondre au marquage couleur des bornes de votre fiche ; dans ce cas, procéder comme suit :

Le fil vert et jaune doit être relié à la borne de la fiche repérée par la lettre E ou par le symbole  $\perp$  ou la couleur verte ou verte et jaune. Le conducteur bleu doit être raccordé à la borne portant la lettre N ou de couleur noire. Le conducteur marron doit être raccordé à la borne portant la lettre L ou de couleur rouge.

- \* Si la fiche livrée avec la machine ne convient pas aux prises du local d'installation, l'enlever (la couper s'il s'agit d'une fiche moulée) et en monter une autre.

Une fiche non recâblable enlevée doit être jetée. Elle ne peut en aucun cas être réutilisée. L'insertion de ce type de fiche dans une autre prise présente des risques graves de décharges électriques.

- \* La fiche non recâblable ne doit jamais être utilisée sans un protège-fusible.

Le numéro de référence du protège-fusible amovible est imprimé sur la fiche. Utiliser cette référence pour toute commande de pièce.

Il est possible de se procurer des protège-fusibles de remplacement auprès des centres de pièces détachées et d'entretien Hoshizaki.

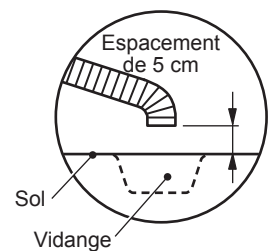
La capacité nominale des fusibles doit être de 13 A ; ils doivent être agréés selon la norme BS 1362.

## 7. BRANCHEMENTS D'ARRIVEE ET DE VIDANGE D'EAU

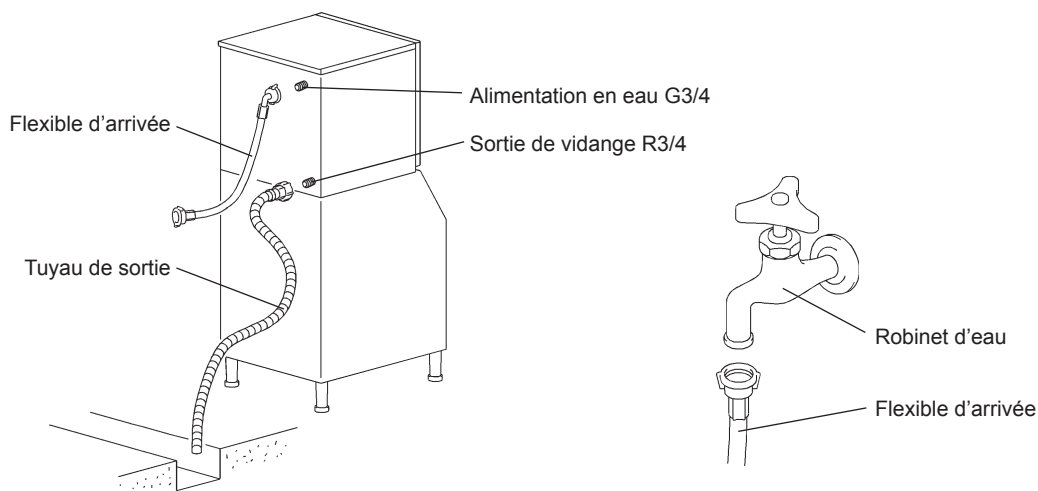
### ▲ AVERTISSEMENT

Raccorder à l'arrivée d'eau potable froide uniquement.

- \* Les raccordements à l'alimentation en eau du réseau doivent être réalisés conformément aux exigences nationales en vigueur des réglementations sur l'alimentation en eau ou les raccords.
- \* L'eau utilisée pour la fabrication de la glace doit être potable. Là où la qualité de l'eau peut entraîner la formation de calcaire :
  - L'installation d'un filtre externe ou d'un adoucisseur est recommandée. Contactez le professionnel du traitement de l'eau ou l'agent de service Hoshizaki local.
  - L'utilisation du mode de rinçage complet du circuit de vidange est recommandée. Contactez l'agent de service Hoshizaki local.
- \* La pression de l'alimentation en eau doit être de 0,07 MPa (0,7 bar) au minimum et de 0,78 MPa (8 bar) au maximum. Si la pression dépasse 0,78 MPa (8 bar), utiliser un réducteur de pression approprié. Ne PAS réduire le débit du robinet d'alimentation.
- \* Dans certaines régions, il est possible qu'il faille obtenir une autorisation pour effectuer les travaux de plomberie et avoir recours aux services d'un plombier autorisé.
- \* La vidange d'eau de la machine à glace s'effectue par gravité : le tuyau de vidange doit donc avoir une inclinaison ou une hauteur de chute suffisantes.
- \* Les tuyaux de vidange ne doivent pas être reliés directement à l'égout. L'extrémité des tuyaux de vidange de la machine à glace doit être espacée d'au moins 5 cm à la verticale par rapport au bac de stockage et à l'évacuation de sol.
- \* Eviter tout retour d'eau dans le bac de stockage.
- \* Veiller à utiliser les jeux de tuyaux neufs fournis avec l'appareil. Ne pas réutiliser les anciens jeux de tuyaux.



- 1) Raccorder l'extrémité coudée du tuyau d'arrivée d'eau (accessoire) au raccord G3/4 à l'arrière de la machine à glace comme indiqué en veillant à placer correctement la rondelle d'étanchéité en caoutchouc. Serrer manuellement de manière à obtenir un raccordement étanche.
- 2) Fixer l'autre extrémité du flexible d'arrivée au robinet d'eau, en veillant à ce que la rondelle soit correctement positionnée, avant de serrer manuellement comme ci-dessus. Il est prudent d'avoir un robinet d'arrêt à proximité.
- 3) Serrer à la main le tuyau de vidange gris (accessoire) au raccord R3/4 à l'arrière de la machine à glace comme indiqué en veillant à placer correctement la rondelle d'étanchéité en caoutchouc pour obtenir un joint étanche. Le tuyau peut être coupé à la longueur voulue en fonction de la position de vidange principale.



## 8. PROCEDURE DE MISE EN ROUTE

- 1) Ouvrir le robinet d'eau.
- 2) Brancher l'alimentation électrique et mettre l'appareil sous tension.
- 3) L'écran affiche « on ».
- 4) La séquence de mise en marche normale est la suivante :
  - a) La vanne de gaz chaud s'ouvre.
  - b) Le compresseur démarre après 30 secondes.
  - c) Le bac à eau s'ouvre complètement.
  - d) L'électrovanne d'arrivée d'eau s'ouvre.
  - e) Le bac à eau commence à se fermer (vanne de gaz chaud fermée).
  - f) Le bac à eau est complètement fermé - le moteur de la pompe démarre.
  - g) L'électrovanne d'arrivée d'eau se ferme.

### ▲ HYGIENE

Vérifier les conditions et la qualité de la production de glace.

Ne pas utiliser la glace produite durant l'essai. Elle pourrait être contaminée par des impuretés se trouvant dans le circuit d'eau. La jeter ou la vider dans le circuit de vidange.

Avant d'utiliser la machine, nettoyer le bac de stockage (voir « III. 1. NETTOYAGE » dans la notice d'utilisation).

## 9. DERNIERS CONTROLES

- 1) Vérifier la tension d'alimentation.
- 2) Vérifier que la machine à glace est correctement mise à la terre.
- 3) Vérifier que la machine à glace ne présente pas de vibrations.
- 4) Vérifier que tous les panneaux sont bien fixés.
- 5) Vérifier que la machine fonctionne correctement conformément à « 8. PROCEDURE DE MISE EN ROUTE ».
- 6) Vérifier que les connexions d'admission et de vidange d'eau ne présentent pas de fuites.
- 7) Indiquer à l'utilisateur comment utiliser correctement la machine. Donner la notice d'utilisation à l'utilisateur.

# DEUTSCH

## WICHTIGE SICHERHEITSHINWEISE

Dieses Handbuch enthält Hinweise, die Sie auf Situationen aufmerksam machen sollen, die Tod, schwere Verletzungen oder Geräteschäden verursachen können.

<b>▲WARNUNG</b>	Kennzeichnet eine gefährliche Situation, die, wenn sie nicht vermieden wird, zum Tod oder zu schweren Verletzungen führen kann.
<b>▲VORSICHT</b>	Kennzeichnet eine gefährliche Situation, die, wenn sie nicht vermieden wird, zu leichten oder mittleren Verletzungen führen kann.
<b>HINWEIS</b>	Kennzeichnet eine gefährliche Situation, die, wenn sie nicht vermieden wird, zu Geräteschäden führen kann.
<b>▲HYGIENE</b>	Kennzeichnet wichtige Maßnahmen für Hygiene und Lebensmittelsicherheit.
<b>WICHTIG</b>	Kennzeichnet wichtige Informationen zu Gebrauch und Pflege des Gerätes.

Das in diesem Eisbereiter verwendete HFC-freie Kältemittel (Propan) ist nicht ozonschädigend und ökologisch nachhaltig, und wirkt sich nur wenig auf die globale Erwärmung aus.

<b>▲WARNUNG</b>	
Der Eisbereiter dieses Gerätes enthält entflammbares Kältemittel; Installation, Handhabung, Wartung und Entsorgung dürfen deshalb nur von autorisierten Technikern ausgeführt werden.	
Das Kältemittel in diesem Eisbereiter ist entflammbar und im Kältesystem eingeschlossen. Obwohl das Kältemittel bei normalem Gebrauch nicht austritt, muss der Eisbereiter mit äußerster Sorgfalt gehandhabt werden, um das System in keiner Weise zu beschädigen.	
Falls das Kältesystem versehentlich beschädigt und dadurch Kältemittel freigesetzt wird: * in der Nähe keine Funkenquelle erzeugen * in der Nähe keine elektrischen Schalter betätigen oder Stecker verwenden * kein offenes Feuer verwenden * den Bereich sofort durch Öffnen von Türen und/oder Fenstern lüften * den Kundendiensttechniker rufen	

<b>WICHTIG</b>	
Um das Produkt sicher und einwandfrei installieren zu können, sollten Sie vor der Installation diese Broschüre sorgfältig lesen und die darin enthaltenen Anweisungen befolgen.	
Schalten Sie nach Abschluss der Installation den Eisbereiter ein und überprüfen Sie ihn auf Unregelmäßigkeiten. Weisen Sie den Benutzer in Gebrauch und Instandhaltung des Eisbereiters entsprechend der Bedienungsanleitung ein.	
Diese Broschüre sollte dem Benutzer nach der Installation ausgehändigt und von diesem zusammen mit der Bedienungsanleitung aufbewahrt werden, damit bei Bedarf darin nachgelesen werden kann.	

<b>▲WARNUNG</b>	
Dies ist ein Eisbereiter für den gewerblichen Einsatz, der ausschließlich für den vorgesehenen Zweck benutzt und mit einem, wie von Hoshizaki angegebenen, geeigneten Vorratsbehälter ausgestattet werden soll. Jede andere Verwendung ist als Zweckentfremdung und somit als gefährlich anzusehen. Der Hersteller übernimmt keine Haftung oder Verantwortung für Schäden, die durch missbräuchliche, falsche oder unangemessene Verwendung verursacht werden.	

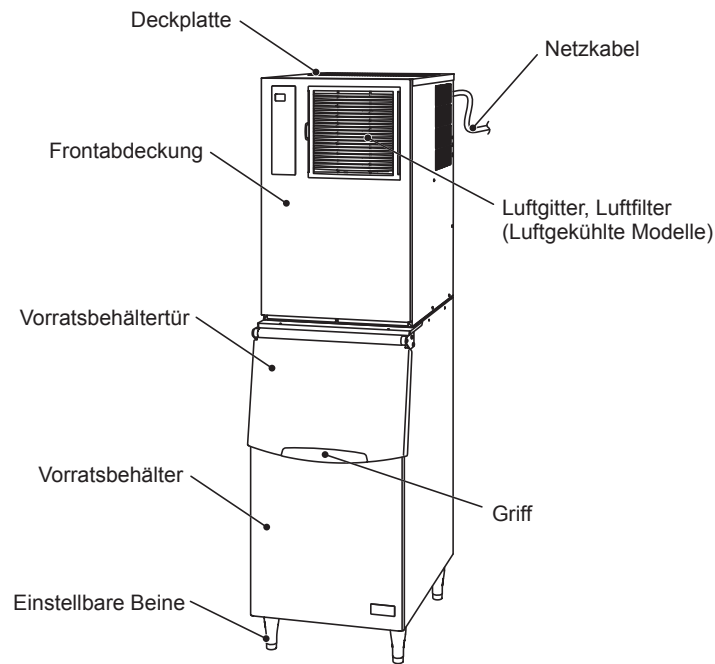
**Installation und erforderliche Standortverlegungen sind von qualifiziertem Personal in Übereinstimmung mit geltenden Vorschriften nach Angaben des Herstellers auszuführen.**

Die Lüftungsöffnungen im Gerätegehäuse oder im Innern des Gerätes nicht blockieren.

Zum Beschleunigen des Abtauvorgangs ausschließlich die vom Hersteller empfohlenen mechanischen Geräte oder anderen Mittel verwenden.

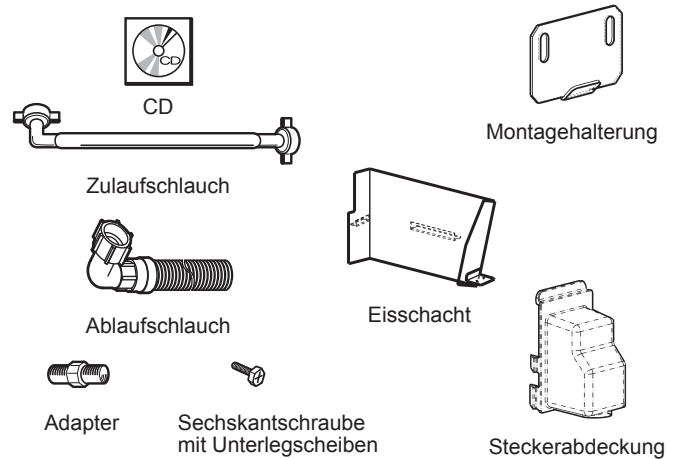
# DEUTSCH

## 1. KONSTRUKTION



## 2. ZUBEHÖR

	IM-130ANE-HC	IM-240ANE-HC
CD	1	1
Zulaufschlauch	1	1
Ablaufschlauch	1	1
Adapter	-	-
Montagehalterung	2	2
Sechskantschraube mit Unterlegscheiben 5 x 12	2	2
Eisschacht	1	1
Sechskantschraube mit Unterlegscheiben 4 x 10	2	2
Steckerabdeckung	1	1



## 3. AUSPACKEN

### ⚠️ WARNUNG

Kinder sollten keinen Zugang zum Verpackungsmaterial (Kunststoffbeutel und Polystyrol) haben, da dieses eine mögliche Gefahrenquelle darstellt.

### ⚠️ VORSICHT

Den Karton nicht an den Transportbändern anheben oder tragen.

Wenn das Gerät manuell bewegt werden soll, die Platten entfernen und den Geräterahmen festhalten.

Beim Tragen des Gerätes stets Schutzhandschuhe tragen.

Um Verletzungen zu vermeiden, den Karton oder das ausgepackte Gerät immer zu zweit handhaben.

### HINWEIS

Versandkarton, Bänder und anderes Verpackungsmaterial entfernen. Wenn Verpackungsmaterial in der Maschine gelassen wird, arbeitet diese nicht richtig.

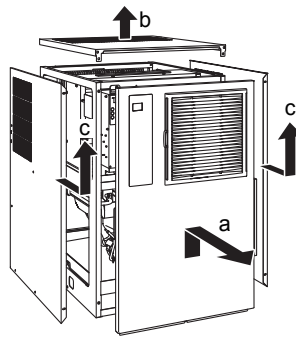
Hinweis: Dieser Eisbereiter braucht einen Vorratsbehälter. Hoshizaki empfiehlt folgende Eisvorratsbehälter:

B301SA ----- in Kombination mit einem Eisbereiter

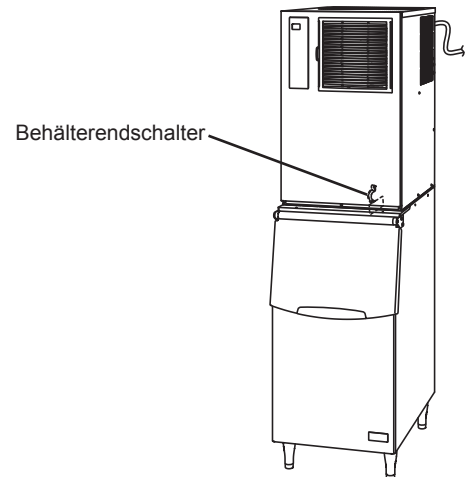
B501SA (Top-Ausrüstung 8D) ----- in Kombination mit einem Eisbereiter

B801SA (Top-Ausrüstung 4DM) ---- in Kombination mit zwei Eisbereitern

- 1) Nach dem Entfernen der Verpackung ist sicherzustellen, dass Eisbereiter und Vorratsbehälter in gutem Zustand sind. Im Zweifelsfall den Eisbereiter nicht verwenden, sondern qualifiziertes Fachpersonal hinzuziehen. Siehe Anleitungsblatt am Vorratsbehälter für Richtlinien zum Auspacken und zur Installation.
- 2) Für den Zugang zum Zubehörbausatz und für eine leichtere Installation die Platten des Eisbereiters entfernen.
- 3) Die Packung mit den Zubehörteilen herausnehmen. Den Inhalt anhand von „2. ZUBEHÖR“ kontrollieren.
- 4) Das Transportsicherungsband des Behälterendschalters entfernen.
- 5) Die Kunststoff-Folie von der Außenseite entfernen. Wenn der Eisbereiter Sonne oder Wärme ausgesetzt ist, die Folie erst abziehen, nachdem der Eisbereiter abgekühlt ist.



- a) Frontplatte: Die Schraube(n) entfernen. Abheben und nach vorn ziehen.
- b) Deckplatte: Die Schraube(n) entfernen. Einfach abheben.
- c) Seitenplatte: Die Schraube(n) entfernen. Leicht nach vorn schieben und dann abheben.
- d) Rückwand: Muss nicht entfernt werden.



## 4. AUFSTELLORT

### ⚠ WARNUNG

Dieser Eisbereiter eignet sich nicht für den Gebrauch im Freien.

Der Eiswürfelbereiter darf nicht neben Öfen, Grills oder anderen Geräten aufgestellt werden, die Hitze erzeugen.

Dieses Gerät eignet sich nicht für die Aufstellung in Räumen, in denen ggf. ein Wasserstrahl benutzt wird.

In Umgebungen mit hoher Feuchtigkeit kann sich Kondenswasser im Gerät bilden und auf den Boden tropfen. Das Gerät nicht auf Böden aufstellen, die durch Wasser beschädigt werden können.

### ⚠ VORSICHT

Der Aufstellort für den Eisbereiter muss stabil und eben sein.

### HINWEIS

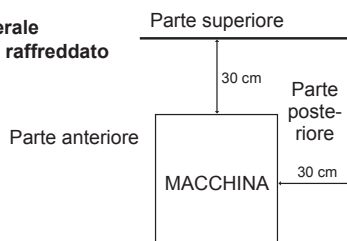
Keine Gegenstände auf die Deckplatte oder vor das Luftgitter des Eisbereiters stellen.

### WICHTIG

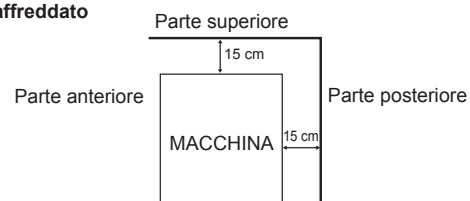
Für Normalbetrieb muss die Raumtemperatur zwischen 1 °C und 40 °C liegen. Der Wasseranschluss ist nur für kaltes Wasser. Längerer Gebrauch des Eisbereiters bei Temperaturen außerhalb dieser normalen Temperaturgrenzwerte kann die Produktionsleistung beeinträchtigen.

Die unten angegebenen Abstände einhalten, um eine optimale Luftzirkulation zu gewährleisten und die Wartung bzw. Pflege des Gerätes zu erleichtern.

**Vista laterale  
(modello raffreddato  
ad aria)**



**Vista laterale  
(modello raffreddato  
ad acqua)**



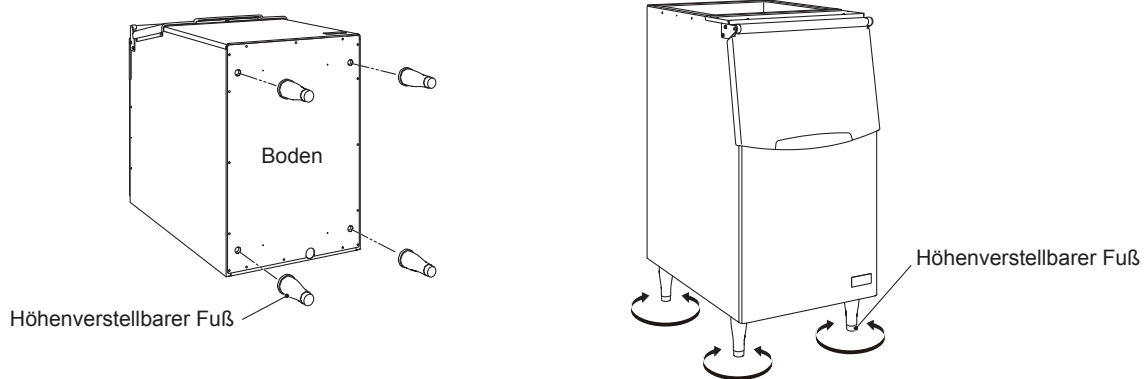
Das Gerät nicht über längere Zeit direktem Sonnenlicht aussetzen.

## 5. INSTALLATION

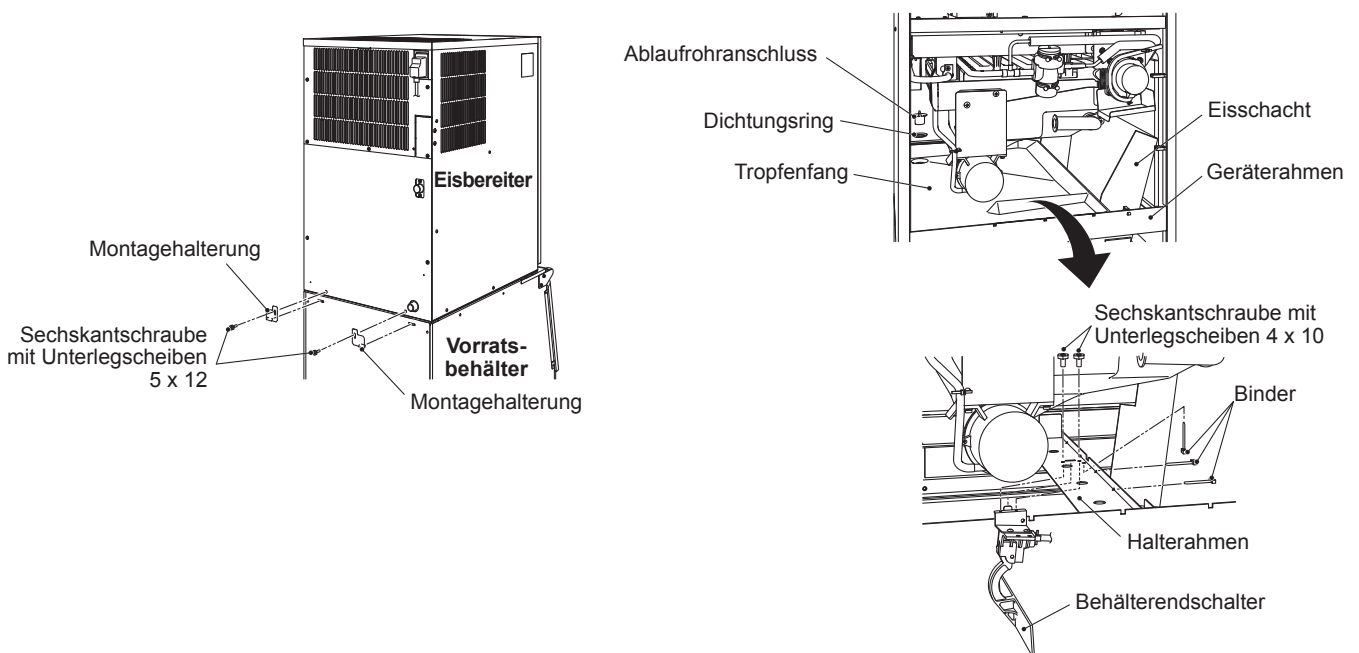
### ▲ VORSICHT

Eine falsche Installation kann zu Verletzungen von Menschen und Tieren oder zu Sachschäden führen, für die der Hersteller nicht haftet.

- 1) Den Vorratsbehälter vorsichtig auf die Rückseite legen, um Beschädigung zu vermeiden. Die vier verstellbaren Gerätefüße (Vorratsbehälterzubehör) in den vier Gewindebohrungen auf der Unterseite des Vorratsbehälters sichern.
- 2) Den Vorratsbehälter am ausgesuchten, permanenten Ort aufstellen und von links nach rechts und von vorn nach hinten nivellieren.



- 3) Die Eisbereiterplatten entfernen. Die Rückwand muss zur Installation nicht abgenommen werden. Siehe „3. AUSPACKEN“.
- 4) Den Eisbereiter auf den Vorratsbehälter stellen, während der untere Teil gehalten wird.
- 5) Den Eisbereiter mit den mitgelieferten Montagehalterungen und Schrauben hinten am Vorratsbehälter befestigen.
- 6) Den Spalt zwischen dem Eisbereiter und dem Vorratsbehälter mit einem Dichtmittel abdichten, das für Lebensmittel unbedenklich ist.
- 7) Ablaufrohranschluss und Tropfenfang herausnehmen. Den Behälterendschalter mit den beiden mitgelieferten Schrauben am Befestigungsrahmen sichern. Kabel des Behälterendschalters mit den beiden Kabelbindern befestigen. Den Eisschacht auf den Geräterahmen setzen und den Tropfenfang wieder in die richtige Position bringen.
- 8) Die Eisbereiterplatten wieder an der richtigen Position anbringen.





## 6. ELEKTRISCHE ANSCHLÜSSE

### ⚠️ WARNUNG

#### DIESES GERÄT MUSS GEERDET WERDEN

Dieser Eisbereiter erfordert einen Schutzkontakt, der nationalen und lokalen Bestimmungen entspricht.

Um schwere Körperverletzungen und Gerätebeschädigungen infolge eines elektrischen Schlages zu vermeiden, ist ein ordnungsgemäßer Erdleiter am Eisbereiter anzubringen.

Die Stromversorgung ausschalten, bevor Wartungs-, Reparatur- oder Reinigungsarbeiten vorgenommen werden.

- \* Dieses Gerät benötigt eine separate Stromversorgung mit 220-240 V~, 13 A. Die Stromversorgung muss mit einem geeigneten Leistungsschutzschalter gesichert werden.
- \* Seite an Seite aufgestellte Eisbereiter sollten jeweils eine separate Steckdose haben, sie müssen jedoch alle parallel im selben Einphasen-Stromkreis mit ausreichender Strombelastbarkeit verbunden sein.
- \* Die Hauptsicherung im Schaltkasten ist für eine Stromstärke von 5 A ausgelegt und darf nur von einer autorisierten Fachkraft ausgewechselt werden.
- \* In der Regel wird hierzu ein Elektriker mit entsprechender Qualifikation und Zulassung benötigt.
- \* Ist das Netzkabel beschädigt, muss es durch ein vom Hoshizaki-Ersatzteil-/Kundendienst erhältliches Ersatzkabel ersetzt werden.
- \* Gemäß IEC-Normen beträgt die höchstzulässige Systemimpedanz (Zmax) am Stromversorgungspunkt für den Anschluss des Eisbereiters 0,23+j0,23 Ohm. Bei Bedarf ist mit dem örtlichen Stromversorger die Einhaltung der Spezifikation von maximal 0,23+j0,23 Ohm für den Anschluss des Eisbereiters abzuklären.

#### Nur für das Vereinigte Königreich und die Republik Irland

- \* Die Drähte im Netzkabel sind nach dem folgenden Farbcode gekennzeichnet:

Grün & Gelb = Erde

Blau = Nullleiter

Braun = spannungsführender Leiter

Die Farben der Adern im Netzkabel dieses Geräts stimmen möglicherweise nicht mit den Farbmarkierungen in Ihrem Stecker überein, daher bitte immer wie folgt verfahren:

Der grün-gelbe Leiter ist an die Klemme anzuschließen, die mit dem Buchstaben E oder dem Symbol  $\perp$  bzw. grün oder gelb-grün markiert ist. Die blaue Ader ist an die Klemme anzuschließen, die mit dem Buchstaben N oder schwarz markiert ist. Die braune Ader ist an die Klemme anzuschließen, die mit dem Buchstaben L oder rot markiert ist.

- \* Falls der mit dem Gerät gelieferte Stecker für die Netzsteckdose am Installationsort ungeeignet ist, muss er entfernt (bzw. wenn er verkapselt ist, abgeschnitten) und durch einen passenden Stecker ersetzt werden.

Ein abgeschnittener, verkapselter (nicht zugänglicher Stecker) muss entsorgt werden. Versuchen Sie nicht, ihn wiederzuverwenden. Durch die Verwendung eines solchen Steckers in einer anderen Steckdose besteht die Gefahr eines elektrischen Schlages.

- \* Der verkapselte Stecker ist nie ohne angebrachte Sicherungsabdeckung zu verwenden.

Der richtige Ersatz für die abnehmbare Sicherungsabdeckung lässt sich anhand der Hersteller-Referenznummer ermitteln, die auf den Stecker gestanzt ist.

Ersatzabdeckungen für Sicherungen sind von Hoshizaki-Ersatzteil-/Service-Zentren erhältlich.

Es sind 13-A-Sicherungen zu verwenden, die die Norm BS 1362 erfüllen.

## 7. WASSERZULAUF- UND WASSERABLAUFANSCHLÜSSE

### ⚠️ WARNUNG

Nur an die kalte Trinkwasserversorgung anschließen.

- \* Die Anschlüsse an die Hauptwasserversorgung müssen entsprechend den Anforderungen der aktuellen Wasserversorgungs- oder Wasseranschlussbestimmungen ausgeführt werden.

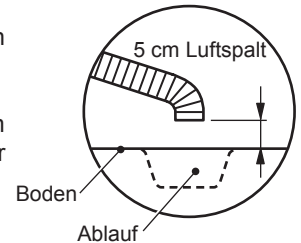
# DEUTSCH

- \* Wasser für die Eisbereitung muss Trinkwasser sein. Wo Ablagerungen aufgrund der Wasserqualität entstehen können:
  - Es wird die Installation eines externen Filters oder Weichmachers empfohlen. Wenden Sie sich an Ihren örtlichen Wasseraufbereitungsspezialisten oder an den Hoshizaki-Kundendienst.
  - Es wird der Wechsel zum Modus „volle Ablaufspülung“ empfohlen. Wenden Sie sich an Ihren Hoshizaki-Kundendienst.

- \* Der Druck in der Wasserzufuhrleitung muss mindestens 0,07 MPa (0,7 bar) und darf höchstens 0,78 MPa (8 bar) betragen. Bei einem höheren Druck als 0,78 MPa (8 bar) ist ein geeignetes Druckreduzierventil zu verwenden. Der Wasserzulauf am Hahn selbst darf NICHT gedrosselt werden.

- \* In bestimmten Gebieten sind eine Installationsgenehmigung und der Anschluss durch einen zugelassenen Installateur erforderlich.

- \* Der Abfluss des Wassers aus dem Eisbereiter erfolgt durch Schwerkraft, daher ist auf ein ausreichendes Gefälle des Ablaufschlauchs zu achten.

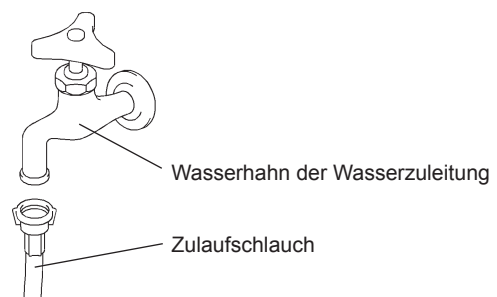
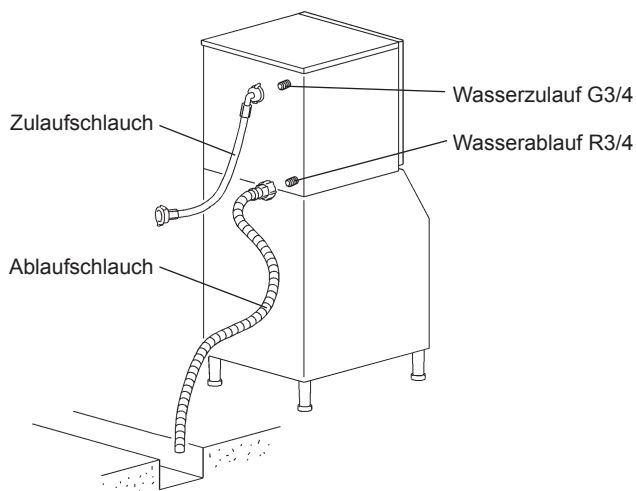


- \* Die Verrohrung von Ablaufleitungen sollte nicht direkt in das Abwassersystem führen. Vom Ablaufschlauchende des Eisbereiters und des Vorratsbehälters sollte mindestens ein 5 cm hoher vertikaler Luftspalt zum Bodenablauf verbleiben.

- \* Rücklauf in den Vorratsbehälter verhindern.

- \* Immer die mit dem Gerät gelieferte neue Schlauchgarnitur verwenden. Keine alten Schlauchgarnituren wiederverwenden.

- 1) Abgewinkeltes Ende des flexiblen Zulaufschlauches (Zubehör) auf den G3/4-Anschluss an der Rückseite des Eisbereiters schrauben. Dabei darauf achten, dass die Gummidichtung richtig liegt. Mit der Hand so anziehen, dass die Verbindung dicht ist.
- 2) Das andere Ende des Zulaufschlauchs an den Wasserhahn schrauben, dabei wie oben darauf achten, dass die Gummidichtung richtig liegt, und mit der Hand festziehen. Vorsichtshalber sollte das Absperrventil in Reichweite sein.
- 3) Den grauen, flexiblen Ablaufschlauch (Zubehör) mit der Hand auf den R3/4-Anschluss auf der Rückseite des Eisbereiters festschrauben (siehe Abbildung). Dabei darauf achten, dass die Gummidichtung richtig liegt, damit die Verbindung dicht ist. Das Rohr lässt sich auf die richtige Länge, d. h. der Position des Hauptabflusses entsprechend, zuschneiden.



## 8. START-VERFAHREN

- 1) Wasserhahn aufdrehen.
- 2) Gerät mit dem Netz verbinden und einschalten.
- 3) Das Display zeigt „on“.
- 4) Nun sollte folgende Sequenz ablaufen:
  - a) Heißgasventil öffnet.
  - b) Kompressor startet nach 30 Sekunden.
  - c) Wasserschale öffnet vollständig.

- d) Magnetventil für Wasser öffnet.
- e) Wasserschale beginnt, sich zu schließen (Heißgasventil geschlossen).
- f) Wasserschale ganz geschlossen - Pumpenmotor startet.
- g) Magnetventil für Wasser schließt.

## ▲HYGIENE

Prüfen Sie die Bedingungen und die Qualität der Eisherstellung.

Das Eis aus dem Testlauf nicht verwenden. Es könnte durch Fremdstoffe im Wasserkreislauf kontaminiert sein. Das Eis wegwerfen oder den Abfluss hinunterspülen.

Vorratsbehälter vor der Verwendung reinigen (siehe „III. 1. REINIGUNG“ in der Bedienungsanleitung).

## 9. ABSCHLUSSTESTS

- 1) Auf richtige Versorgungsspannung prüfen.
- 2) Prüfen, dass der Eisbereiter ordnungsgemäß geerdet ist.
- 3) Prüfen, dass der Eisbereiter nicht vibriert.
- 4) Prüfen, dass alle Abdeckplatten fest und sicher sitzen.
- 5) Auf einwandfreien Betrieb prüfen, entsprechend „8. START-VERFAHREN“.
- 6) Wasserzulauf- und Wasserablaufanschlüsse auf Undichtigkeit prüfen.
- 7) Den Benutzer in den richtigen Gebrauch des Gerätes einweisen. Dem Benutzer die Bedienungsanleitung aushändigen.

# NEDERLANDS

## BELANGRIJKE VEILIGHEIDSINFORMATIE

Overall in deze handleiding treft u opmerkingen aan die uw aandacht willen vestigen op situaties die zouden kunnen resulteren in overlijden, ernstig letsel of schade aan de machine.

<b>▲WAARSCHUWING</b>	Geeft een gevaarlijke situatie aan die, als deze niet wordt vermeden, zou kunnen resulteren in overlijden of ernstig letsel.
<b>▲VOORZICHTIG</b>	Geeft een gevaarlijke situatie aan die, als deze niet wordt vermeden, zou kunnen resulteren in licht of middelzwaar letsel.
<b>LET OP</b>	Geeft een gevaarlijke situatie aan die, als deze niet wordt vermeden, zou kunnen resulteren in schade aan de machine.
<b>▲HYGIËNE</b>	Geeft belangrijke voorzorgsmaatregelen aan met betrekking tot de hygiëne en voedselveiligheid.
<b>BELANGRIJK</b>	Geeft belangrijke informatie aan over het gebruik en de verzorging van de machine.

Deze ijsmachine gebruikt een HFC-vrij koelmiddel (propan) dat niet schadelijk is voor de ozonlaag, duurzaam is en een zeer beperkt aardopwarmingsvermogen heeft.

<b>▲WAARSCHUWING</b>
Het koelsysteem van deze ijsmachine bevat ontvlambaar koelmiddel; installatie, gebruik, onderhoud en verwijdering mogen daarom uitsluitend worden uitgevoerd door erkende technici.
Het koelmiddel in deze ijsmachine is ontvlambaar en verzegeld in het koelsysteem. Hoewel het koelmiddel onder normale omstandigheden niet lekt, dient u de ijsmachine met de grootst mogelijke zorg te behandelen om te voorkomen dat u het systeem beschadigt.
In het geval van onopzettelijke schade aan het koelsysteem waardoor koelmiddel weglekt: * Creëer geen ontstekingsbron in de buurt. * Bedien geen elektrische schakelaars of stopcontacten in de buurt. * Gebruik geen naakte vlam. * Ventileer de ruimte direct door het openen van deuren en/of ramen. * Bel een servicetechnicus.

<b>BELANGRIJK</b>
Lees dit boekje zorgvuldig door vóór de installatie en volg de opgenomen instructies nauwgezet op om een veilige en correcte installatie van het product te waarborgen.
Start, nadat de installatie is voltooid, de ijsmachine op om te controleren op afwijkingen. Geef de gebruiker instructies voor het gebruik en onderhoud van de ijsmachine in overeenstemming met de instructiehandleiding.
Dit boekje moet na de installatie aan de gebruiker worden overhandigd, die het bij de gebruiksaanwijzing moet bewaren voor eventueel toekomstig gebruik.

## ▲ WAARSCHUWING

Dit is een ijsmachine voor commerciële doeleinden en dit apparaat dient uitsluitend te worden gebruikt voor de toepassingen waarvoor het is ontworpen en te worden bevestigd aan een geschikte opslagbunker zoals dit door Hoshizaki is opgegeven.

Enige andere vorm van gebruik wordt als ongeschikt en dus gevaarlijk beschouwd. De fabrikant kan niet aansprakelijk of verantwoordelijk worden gesteld voor enige schade die ontstaat door ongeschikt, incorrect en onredelijk gebruik.

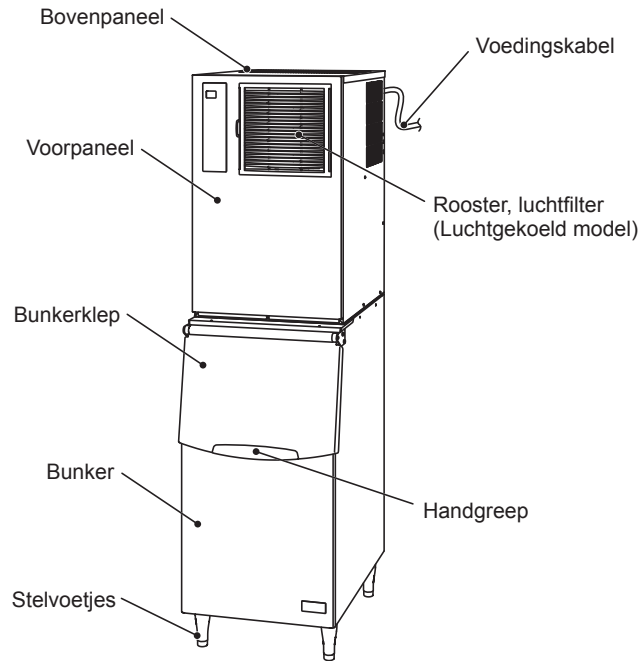
**De installatie en eventuele verplaatsing van de ijsmachine mag uitsluitend door gekwalificeerd personeel** en overeenkomstig de plaatselijk geldende voorschriften worden uitgevoerd, waarbij de instructies van de fabrikant dienen te worden gevolgd.

Houd ventilatieopeningen, zowel in de behuizing van de machine als in de inbouwstructuur, vrij van obstakels.

Gebruik geen mechanische apparaten of andere methoden om het ontthooiproces te versnellen dan de methoden die door de fabrikant worden aanbevolen.

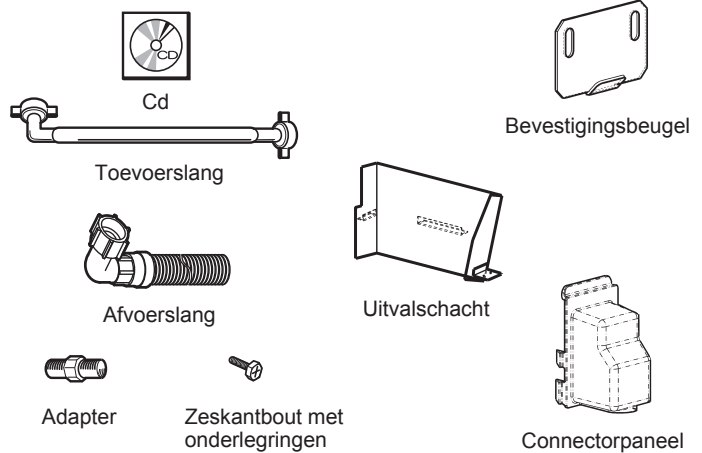
# NEDERLANDS

## 1. CONSTRUCTIE



## 2. TOEBEHOREN

	IM-130ANE-HC	IM-240ANE-HC
Cd	1	1
Toevoerslang	1	1
Afvoerslang	1	1
Adapter	-	-
Bevestigingsbeugel	2	2
Zeskantbout met onderleggingen 5 x 12	2	2
Uitvalschacht	1	1
Zeskantbout met onderleggingen 4 x 10	2	2
Connectorpaneel	1	1



## 3. UITPAKKEN

### ⚠ WAARSCHUWING

Kinderen moeten buiten het bereik van het verpakkingsmateriaal (plastic zakken en geëxpandeerd polystyreen) worden gehouden aangezien dit mogelijke bronnen van gevaar zijn.

### ⚠ VOORZICHTIG

Til de doos niet op en verplaats deze niet met behulp van de transportbanden.

Wanneer u het apparaat handmatig verplaatst, dient u de panelen te verwijderen en het frame van de ijsmachine vast te houden.

Draag altijd beschermende handschoenen bij het dragen van de machine.

Werk met zijn tweeën bij het verplaatsen van de doos of de uitgepakte machine om letsel te voorkomen.

### LET OP

Verwijder kartonnen doos, tape en ander verpakkingsmateriaal. Als er verpakkingsmateriaal achterblijft in de ijsmachine, werkt deze niet goed.

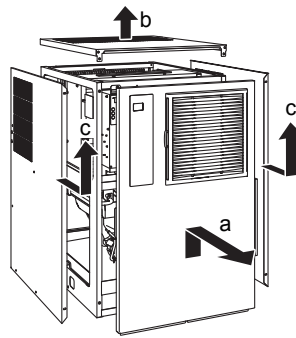
Opmerking: Deze ijsmachine heeft een bunker nodig. Hoshizaki beveelt de volgende opslagbunkers aan:

B301SA ----- voor combinatie met één ijsmachine

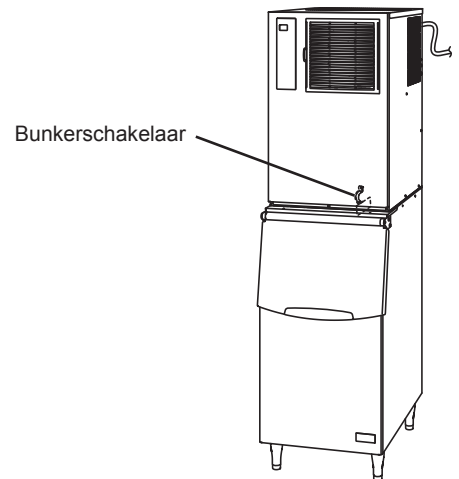
B501SA (topset 8D)----- voor combinatie met één ijsmachine

B801SA (topset 4DM) ---- voor combinatie met twee ijsmachines

- 1) Controleer, nadat u de verpakking hebt verwijderd, of de ijsmachine en de bunker in goede staat verkeren. Gebruik de ijsmachine niet in geval van twijfel, maar raadpleeg bevoegd servicepersoneel. Raadpleeg het instructieblad dat bij de bunker is gevoegd voor richtlijnen bij het uitpakken en installeren.
- 2) Verwijder de panelen van de ijsmachine om toegang te verkrijgen tot het pakket met toebehoren en voor gemakkelijkere installatie.
- 3) Verwijder het pakket met de accessoires. Controleer de inhoud aan de hand van "2. TOEBEHOREN".
- 4) Verwijder de transporttape waarmee de bunkerschakelaar is vastgezet.
- 5) Verwijder de beschermfolie van de buitenkant. Als de ijsmachine is blootgesteld aan de zon of aan hitte, verwijdert u de folie nadat de ijsmachine is afgekoeld.



- a) Voorpaneel: Verwijder de schroef (schroeven). Til het paneel omhoog en trek het naar u toe.
- b) Bovenpaneel: Verwijder de schroef (schroeven). Til eraf.
- c) Zijpaneel: Verwijder de schroef (schroeven). Iets naar voren schuiven en dan optillen.
- d) Achterpaneel: Hoeft niet te worden verwijderd.



## 4. PLAATSING

### ⚠ WAARSCHUWING

Deze ijsmachine is niet bestemd voor gebruik buitenshuis.

De ijsmachine mag niet naast een oven, grill of andere apparatuur die veel warmte afgeeft worden geplaatst.

Deze machine is niet geschikt om in een ruimte te worden geïnstalleerd die met een waterstraal wordt schoongespoten.

In sommige zeer vochtige omgevingen kan condensvorming optreden in de machine die vervolgens op de vloer druipet. Installeer de ijsmachine niet in een ruimte waar de vloer kan worden aangetast door water.

### ⚠ VOORZICHTIG

De ijsmachine moet waterpas op een stevige ondergrond worden geplaatst.

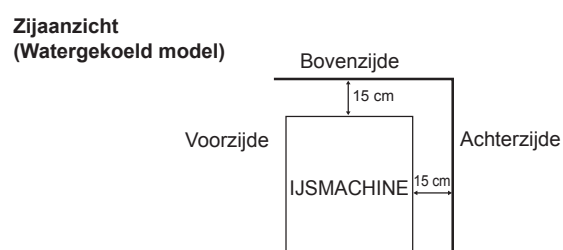
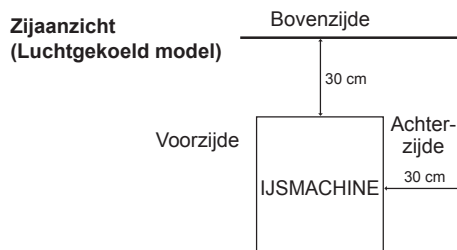
### LET OP

Plaats geen andere apparaten of voorwerpen bovenop de ijsmachine of voor de ventilatieopening.

### BELANGRIJK

De normale omgevingstemperatuur bij bedrijf moet tussen 1 °C en 40 °C liggen. Er mag uitsluitend koud water worden toegevoerd. Bediening van de ijsmachine gedurende langere perioden buiten dit normale temperatuurbereik kan de productiecapaciteit beïnvloeden.

Houd aan de bovenkant de vrije ruimte aan die hieronder staat vermeld. Dit zorgt voor een optimale luchtcirculatie en vergemakkelijkt onderhouds- en/of reparatiewerkzaamheden.



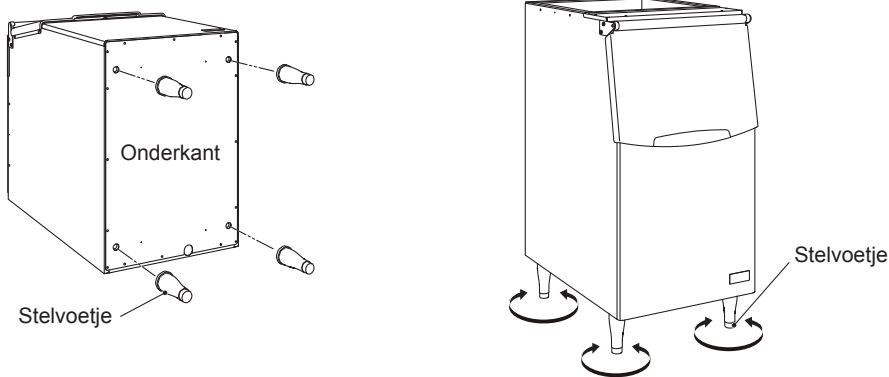
Voorkom langdurige blootstelling van de machine aan direct zonlicht.

## 5. INSTALLATIE

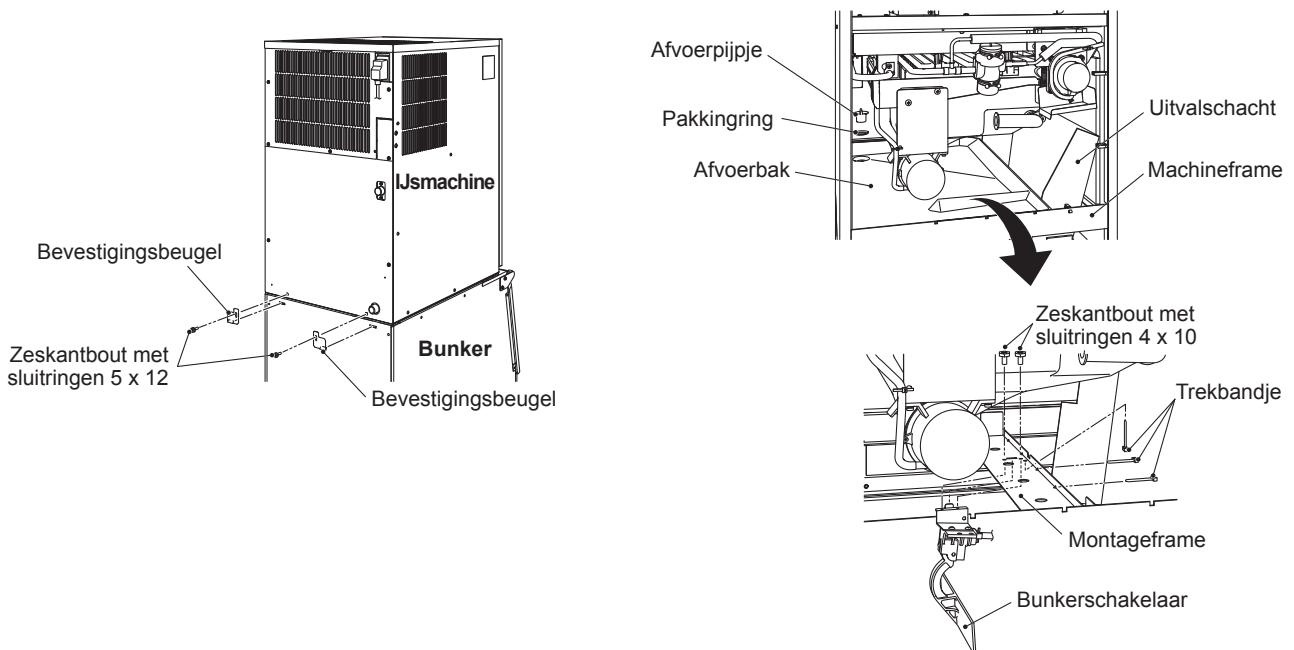
### ⚠ VOORZICHTIG

Onjuiste installatie van de ijsmachine kan schade toebrengen aan mens, dier en omgeving. De fabrikant aanvaardt geen aansprakelijkheid voor schade en/of letsel ten gevolge van het onjuist installeren van de machine.

- 1) Leg de opslagbunker voorzichtig op de achterkant om schade te voorkomen. Zet de vier stelvoetjes (meegeleverd met opslagbunker) in de vier taps toelopende openingen aan de onderzijde van de bunker.
- 2) Plaats de bunker op een permanente plaats en zorg ervoor dat deze zowel van links naar rechts als van voor naar achter waterpas staat.



- 3) Verwijder de panelen van de ijsmachine. Voor installatie hoeft het achterpaneel niet te worden verwijderd. Zie "3. UITPAKKEN".
- 4) Plaats de ijsmachine boven op de bunker. Houd de ijsmachine hierbij aan de onderkant vast.
- 5) Zet de ijsmachine met de meegeleverde montagebeugels en schroeven aan de achterkant vast aan de opslagbunker.
- 6) Dicht de naad tussen de ijsmachine en de bunker af met een afdichtmiddel dat geschikt is voor gebruik in de buurt van voedingsmiddelen.
- 7) Verwijder het afvoerpijpje en de lekbak. Bevestig de bunkerschakelaar aan het montageframe met behulp van de twee meegeleverde bouten. Bevestig de bedrading van de bunkerschakelaar met de twee kunststof trekbandjes. Plaats de ijsglijgoot op het machineframe en plaats de lekbak terug.
- 8) Plaats de panelen van de ijsmachine terug.





## 6. ELEKTRISCHE AANSLUITINGEN

### ▲ WAARSCHUWING

#### DEZE MACHINE MOET WORDEN GEAARD

Deze ijsmachine moet worden geaard volgens de geldende voorschriften.

Ter voorkoming van ernstig persoonlijk letsel en materiële schade als gevolg van elektrische schokken, dient deze ijsmachine te worden voorzien van een correct aangebrachte aardleiding.

Verwijder de stekker uit het stopcontact voordat u onderhouds-, reparatie- of reinigingswerkzaamheden gaat uitvoeren.

- \* Deze machine vereist een aparte voeding van 220 - 240 V wisselstroom, 13 A. Het stopcontact moet worden beschermd door een geschikte stroomonderbreker.
- \* Naast elkaar geplaatste ijsmachines moeten elk een aparte contactdoos hebben, maar zij moeten allemaal parallel worden aangesloten op dezelfde enkelfasige voeding of circuit met voldoende stroomcapaciteit.
- \* De hoofdzekering van de besturingskast heeft een nominale waarde van 5 A en mag alleen worden vervangen door een erkende onderhoudsmonteur.
- \* Normaalgesproken dient men te beschikken over de juiste vergunningen en/of de hulp in te roepen van een erkend elektricien.
- \* Als de voedingskabel beschadigd is, moet deze worden vervangen door een vervangende kabel die verkrijgbaar is bij de onderdelen- en servicecentra van Hoshizaki.
- \* Overeenkomstig de vereisten van de IEC-norm bedraagt de maximaal toegestane systeemimpedantie ( $Z_{max}$ ) op het aansluitpunt tussen de voedingskabel en de ijsmachine  $0,23+j0,23$  ohm. Zorg ervoor, zo nodig met behulp van uw elektriciteitsbedrijf, dat de ijsmachine wordt aangesloten op een voeding met een systeemimpedantie van  $0,23+j0,23$  ohm of minder.

#### Alleen voor het Verenigd Koninkrijk en Ierland:

- \* De draden van de netvoeding hebben een kleurcode:

Groen/geel = aarde

Blauw = neutraal

Bruin = stroomvoerend

Als de gekleurde draden in de voedingskabel van deze machine zijn aangesloten op stekkerpolen met een afwijkende kleur, dient u het volgende te doen:

Sluit de groen/gele draad in de stekker aan op de groen/gele of groene stekkerpool of anders op de stekkerpool die is aangeduid met de letter E of het symbool  $\underline{\perp}$ . Sluit de blauwe draad aan op de zwarte stekkerpool of op de stekkerpool die is aangeduid met de letter N. Sluit de bruine draad aan op de rode stekkerpool of op de stekkerpool die is aangeduid met de letter L.

- \* Als het stopcontact waarop u de ijsmachine wilt aansluiten niet geschikt is voor de stekker die aan de voedingskabel van de ijsmachine zit, dient de stekker te worden verwijderd (een gegoten stekker wordt afgesneden) en vervangen door een geschikte stekker.

De gegoten stekker die van de voedingskabel is afgesneden, moet worden weggegooid. Hij mag niet opnieuw worden gebruikt. Wanneer deze stekker elders in een stopcontact wordt gestoken, zorgt dit voor een groot risico van elektrische schokken.

- \* De gegoten stekker mag uitsluitend in combinatie met een zekeringhouder worden gebruikt.

Het referentienummer van de fabrikant is in de stekker ingeslagen. In geval u de zekeringhouder vervangt, dient een vervangend exemplaar van hetzelfde type te worden gebruikt.

Zekeringhouders zijn te verkrijgen via de onderdelen- en servicecentra van Hoshizaki.

Gebruik zekeringen van 13 A die zijn goedgekeurd volgens BS 1362.

## 7. AANSLUITING VAN WATERTOEVOER- EN WATERAFVOERLEIDINGEN

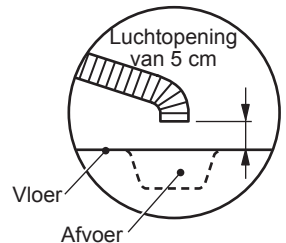
### ▲WAARSCHUWING

Mag alleen worden aangesloten op een drinkwaterleiding voor koud water.

- \* De aansluitingen aan de drinkwaterleiding moeten worden uitgevoerd in overeenstemming met de huidige vereisten van het land in de regelgeving met betrekking tot watertoevoer of -accessoires.
- \* Het water om ijs mee te maken moet drinkwater zijn. Waar vorming van ketelsteen kan optreden ten gevolge van de waterkwaliteit:
  - Installatie van een extern filter of zachtmaker wordt aanbevolen. Neem contact op met uw plaatselijke waterbehandelingsspecialist of Hoshizaki-servicebedrijf.
  - Overschakelen naar de modus "volledig doorspoelen" wordt aanbevolen. Neem contact op met uw plaatselijke Hoshizaki-servicebedrijf.
- \* De watertoevoerdruk moet tenminste 0,07 MPa (0,7 bar) bedragen en mag niet hoger dan 0,78 MPa (8 bar) zijn. Als de waterdruk hoger is dan 0,78 MPa (8 bar), moet gebruik worden gemaakt van een reduceerventiel. De watertoevoerkraan mag voor dit doel NIET gedeeltelijk worden dichtgedraaid.
- \* In sommige gebieden kan een loodgietersvergunning of het inschakelen van een erkend loodgieter verplicht zijn.

\* De waterafvoer van de ijsmachine stroomt onder natuurlijk verval; de afvoerslang moet dus voldoende verval hebben.

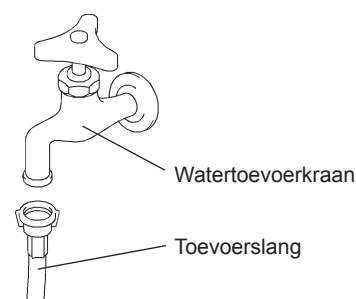
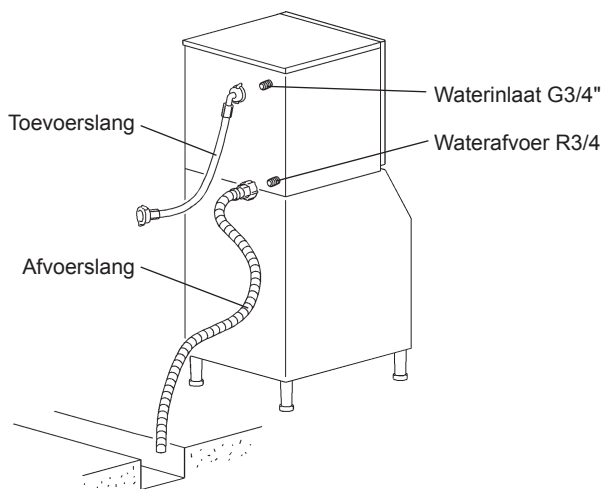
\* Afvoerleidingen mogen niet rechtstreeks op de riolering worden aangesloten. Houd een verticale luchtopening van minimaal 5 cm aan tussen het uiteinde van de afvoerslangen van ijsmachine en bunker en de vloerafvoer.



\* Voorkom terugstromen van afvoerwater naar de bunker.

\* Gebruik de nieuwe slangensets die met het apparaat zijn meegeleverd. Gebruik oude slangensets niet opnieuw.

- 1) Bevestig het gebogen uiteinde van de flexibele toevoerslang (meegeleverd) aan de G 3/4"-aansluiting aan de achterzijde van de ijsmachine zoals weergegeven. Let er daarbij op dat de rubber afstandsring goed is aangebracht. Voorkom lekkage door de aansluiting handvast aan te draaien.
- 2) Bevestig het andere uiteinde van de toevoerslang aan de waterkraan. Zorg ervoor dat de afdichtring goed is aangebracht voordat u de aansluiting handvast aandraait. Het verdient aanbeveling een afsluitkraan te monteren op een goed bereikbare plek.
- 3) Bevestig de flexibele grijze afvoerslang (meegeleverd) aan de R3/4"-aansluiting aan de achterzijde van de ijsmachine zoals weergegeven en draai deze handvast aan. Let er daarbij op dat de rubberen afstandsring goed is aangebracht om lekkage te voorkomen. De slang kan zondig op lengte worden gesneden voor een passende aansluiting op de hoofdafvoer.



## 8. OPSTARTPROCEDURE

- 1) Draai de waterkraan open.
- 2) Sluit de netvoeding aan en schakel de ijsmachine in.
- 3) Op het display wordt "on" weergegeven.
- 4) Nu gebeurt achtereenvolgens het volgende:
  - a) De heetgasklep gaat open.
  - b) De compressor start na 30 seconden.
  - c) De waterbak gaat volledig open.
  - d) De magneetklep voor het watersysteem opent zich.
  - e) De waterbak begint zich te sluiten (heetgasklep gesloten).
  - f) De waterbak is geheel gesloten - De pompmotor begint te draaien.
  - g) De magneetklep voor het watersysteem sluit.

### ▲ HYGIËNE

Controleer de kwaliteit van het geproduceerde ijs.

Het ijs dat tijdens het testen van de ijsmachine is geproduceerd, mag niet worden gebruikt voor consumptie. Het is mogelijk verontreinigd met deeltjes afkomstig uit het watercircuit. Gooi het ijs weg in de afvoer.

Maak voor ingebruikname van de ijsmachine eerst de bunker schoon (zie "III. 1. REINIGEN" in de instructiehandleiding).

## 9. LAATSTE CONTROLES

- 1) Controleer op de juiste spanning.
- 2) Controleer of de ijsmachine juist geaard is.
- 3) Controleer of de ijsmachine trillingvrij is.
- 4) Controleer of alle panelen zijn aangebracht en vastzitten.
- 5) Controleer de juiste werking aan de hand van "8. OPSTARTPROCEDURE".
- 6) Controleer de watertoevoer en de slangaansluitingen op lekkage.
- 7) Geef de gebruiker instructies met betrekking tot het juiste gebruik van de machine. Overhandig de instructiehandleiding aan de gebruiker.

## INFORMACIÓN IMPORTANTE DE SEGURIDAD

A lo largo de este manual aparecerán avisos para llamar su atención sobre situaciones que podrían tener como consecuencia la muerte, heridas graves o daños en la unidad.

<b>▲ADVERTENCIA</b>	Indica una situación peligrosa que, de no evitarse, podría tener como resultado la muerte o heridas graves.
<b>▲ATENCIÓN</b>	Indica una situación peligrosa que, de no evitarse, podría tener como resultado heridas leves o moderadas.
<b>AVISO</b>	Indica una situación peligrosa que, de no evitarse, podría tener como resultado daños en la unidad.
<b>▲HIGIENE</b>	Indica precauciones importantes para la higiene y la seguridad de la comida.
<b>IMPORTANTE</b>	Indica información importante acerca del uso y el cuidado de la unidad.

Esta máquina de hielo utiliza refrigerante (propano) sin HFC, ecológicamente sostenible; lo que significa que no contribuye de modo negativo a la reducción de la capa de ozono ni potencia el calentamiento global.

<b>▲ADVERTENCIA</b>
Esta máquina de hielo contiene refrigerante inflamable en la unidad de refrigeración; por tanto, la instalación, la manipulación, el mantenimiento y la eliminación deben llevarse a cabo únicamente por técnicos autorizados.
El refrigerante que contiene esta máquina de hielo es inflamable y se halla aislado de modo estanco en el sistema de refrigeración. A pesar de que el riesgo de fugas de refrigerante durante el uso normal sea mínimo, extreme las precauciones al manipular la máquina de hielo para evitar causar daños al sistema.
En caso de daños accidentales en el sistema de refrigeración que provoquen una fuga de refrigerante: * No cree una fuente de ignición en la zona. * No utilice interruptores eléctricos o enchufes en la zona. * No utilice una llama descubierta. * Ventile el área de forma inmediata abriendo puertas y ventanas. * Llame al ingeniero del servicio técnico.

<b>IMPORTANTE</b>
Para realizar la instalación del producto de modo seguro y efectivo, lea previamente este folleto con atención y siga sus instrucciones.
Una vez finalizada la instalación, inicie la máquina de hielo para asegurarse de que está todo correcto. Indique al usuario cómo utilizar y mantener la máquina de hielo de acuerdo con el manual de instrucciones.
Este folleto deberá entregarse al usuario al finalizar la instalación para que lo guarde junto con el manual de instrucciones para cualquier consulta que sea necesaria.

**▲ADVERTENCIA**

Esta máquina de hielo comercial solo debe utilizarse para los fines para los que ha sido expresamente diseñada. Asimismo, deberá acoplarse a la cuba de almacenamiento que corresponda según las especificaciones de Hoshizaki.

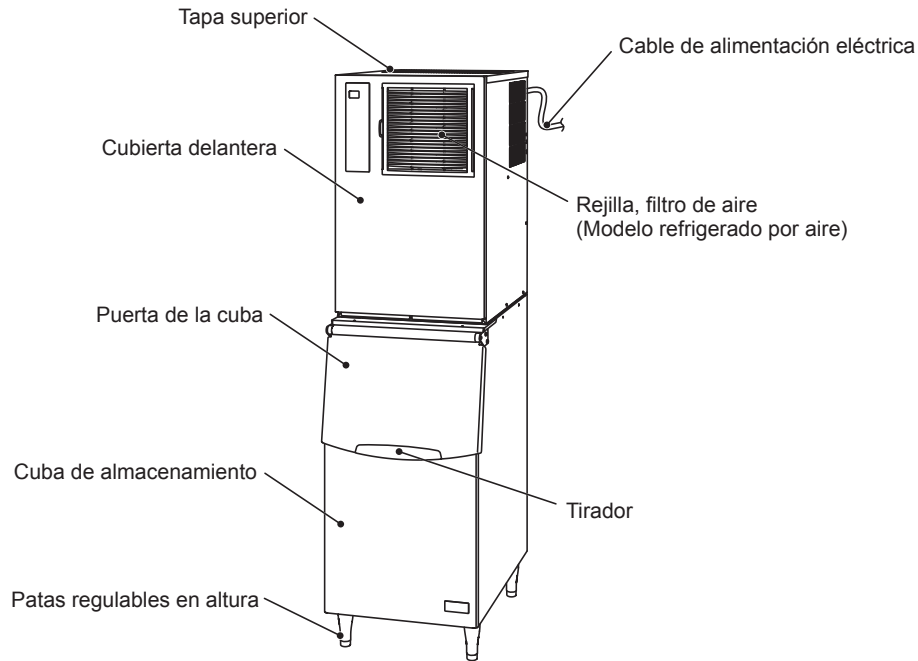
Cualquier otra utilización deberá considerarse inadecuada y, por lo tanto, potencialmente peligrosa. El fabricante no será responsable de ningún daño causado por un uso incorrecto, inadecuado o irracional.

**La instalación y, si fuera necesario, la reubicación, deben ser realizadas únicamente por personal cualificado**, de acuerdo con la normativa vigente y con las instrucciones del fabricante.

Mantenga los orificios de ventilación, de la carcasa de la máquina o de la estructura integrada, libres de cualquier obstrucción.

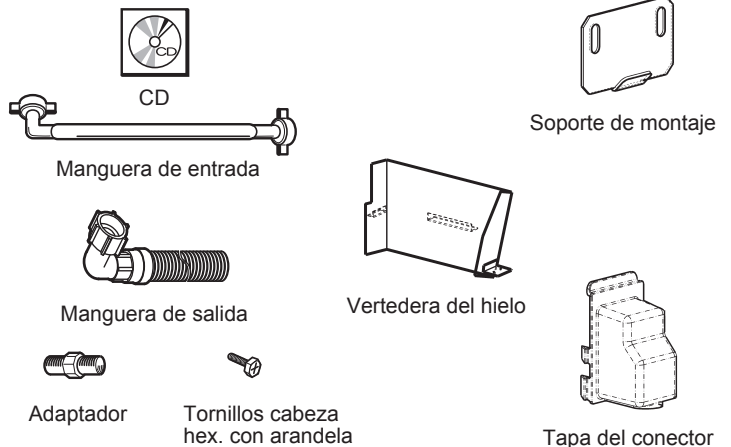
No haga uso de dispositivos mecánicos ni de otros medios distintos de los recomendados por el fabricante para acelerar el proceso de descongelación.

## 1. CONSTRUCCIÓN



## 2. ACCESORIOS

	IM-130ANE-HC	IM-240ANE-HC
CD	1	1
Manguera de entrada	1	1
Manguera de salida	1	1
Adaptador	-	-
Soporte de montaje	2	2
Tornillos cabeza hex. con arandela 5 x 12	2	2
Vertedera del hielo	1	1
Tornillos cabeza hex. con arandela 4 x 10	2	2
Tapa del conector	1	1



## 3. DESEMBALAJE

### ⚠ ADVERTENCIA

No deje al alcance de los niños el material de embalaje (bolsas de plástico y poliestireno expandido), ya que son fuentes potenciales de peligro.

### ⚠ ATENCIÓN

No levante ni manipule el cartón usando las cintas de embalaje.

Cuando desplace la unidad con la mano, desmonte las tapas y sujete el marco de la misma.

Lleve siempre guantes protectores al transportar la unidad.

Cuando vaya a manipular el cartón o la unidad desembalada, hágalo con la ayuda de otra persona para evitar daños.

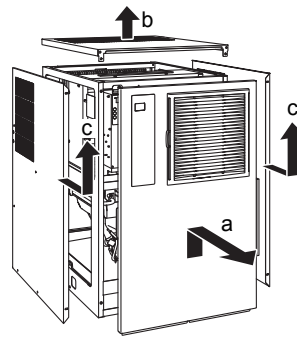
### AVISO

Retire el cartón, la(s) cinta(s) y el embalaje de expedición. La máquina de hielo no funcionará correctamente si no se quita el material de embalaje.

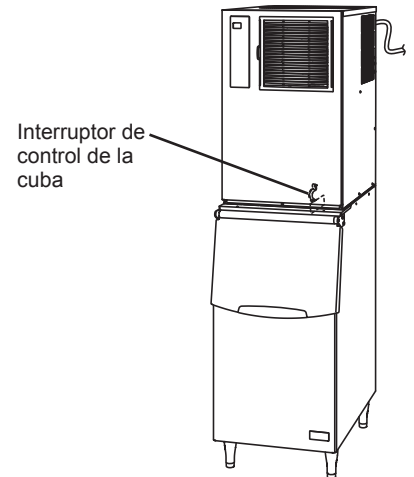
Nota: Esta máquina de hielo necesita una cuba de almacenamiento. Hoshizaki recomienda las siguientes cubas de almacenamiento de hielo:

- B301SA ----- en combinación con una máquina de hielo
- B501SA (Kit superior 8D)----- en combinación con una máquina de hielo
- B801SA (Kit superior 4DM) -- en combinación con dos máquinas de hielo

- 1) Una vez que haya quitado el embalaje asegúrese de que la máquina de hielo y la cuba de almacenamiento estén en buen estado. En caso de duda, no use la máquina de hielo y consulte a profesionales cualificados. Para los procedimientos de instalación y desembalaje véase la hoja de instrucciones que acompaña a la cuba de almacenamiento.
- 2) Desmonte las tapas de la máquina de hielo para acceder al kit de accesorios y proceder a la instalación más fácilmente.
- 3) Retire el embalaje de los accesorios. Verifique el contenido de acuerdo con "2. ACCESORIOS".
- 4) Quite la cinta de embalaje que sujeta el interruptor de control de la cuba.
- 5) Retire el plástico protector del exterior. Si la máquina de hielo está expuesta al sol o al calor, quítele la película una vez que se haya enfriado.



- a) Tapa delantera: Retire los tornillos. Levante y tire hacia usted.
- b) Tapa superior: Retire los tornillos. Simplemente levántela.
- c) Tapa lateral: Retire los tornillos. Deslícela ligeramente hacia delante y, a continuación, levántela.
- d) Tapa trasera: No requiere desmontaje.



## 4. UBICACIÓN

### ⚠ ADVERTENCIA

Esta máquina de hielo no está diseñada para uso en el exterior.

La máquina de hielo no debe colocarse cerca de hornos, parrillas u otras fuentes de calor.

Este aparato no es apropiado para su instalación en una zona en la que pueda haber un chorro de agua.

Es posible que en algunos entornos con un nivel alto de humedad se forme condensación en el interior de la máquina y gotee en el suelo. No la instale en suelos sensibles al agua.

### ⚠ ATENCIÓN

La máquina de hielo debe ubicarse sobre una base firme y nivelada.

### AVISO

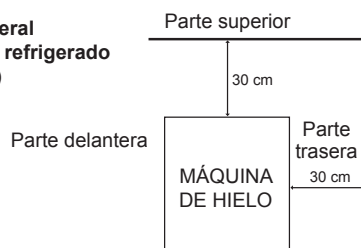
No coloque nada encima de la máquina de hielo ni delante de la rejilla.

### IMPORTANTE

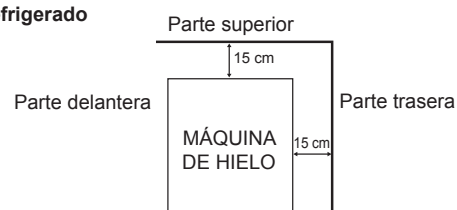
La temperatura ambiente normal de funcionamiento deberá oscilar entre 1 °C y 40 °C. La conexión al suministro de agua es únicamente para agua fría. La utilización de la máquina de hielo fuera de estos márgenes de temperatura normal por periodos prolongados puede afectar su capacidad de producción.

Deje el espacio especificado a continuación para permitir la circulación de aire y facilitar las eventuales operaciones de reparación o mantenimiento.

**Vista lateral  
(Modelo refrigerado  
por aire)**



**Vista lateral  
(Modelo refrigerado  
por agua)**



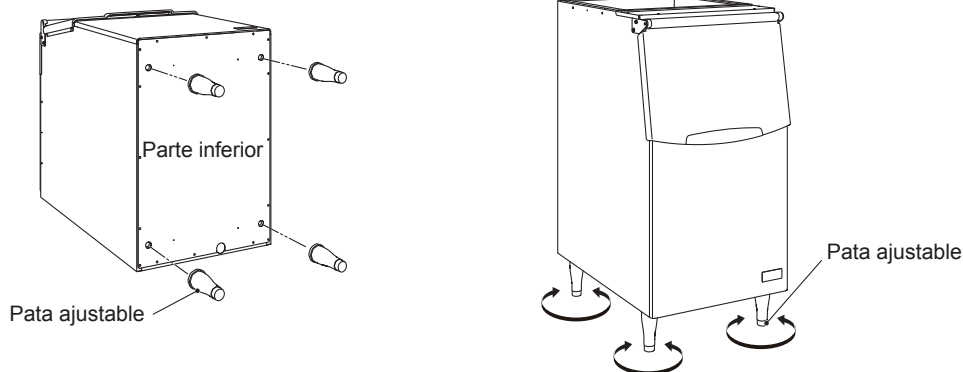
Evite la exposición prolongada del equipo a la luz del sol directa.

## 5. INSTALACIÓN

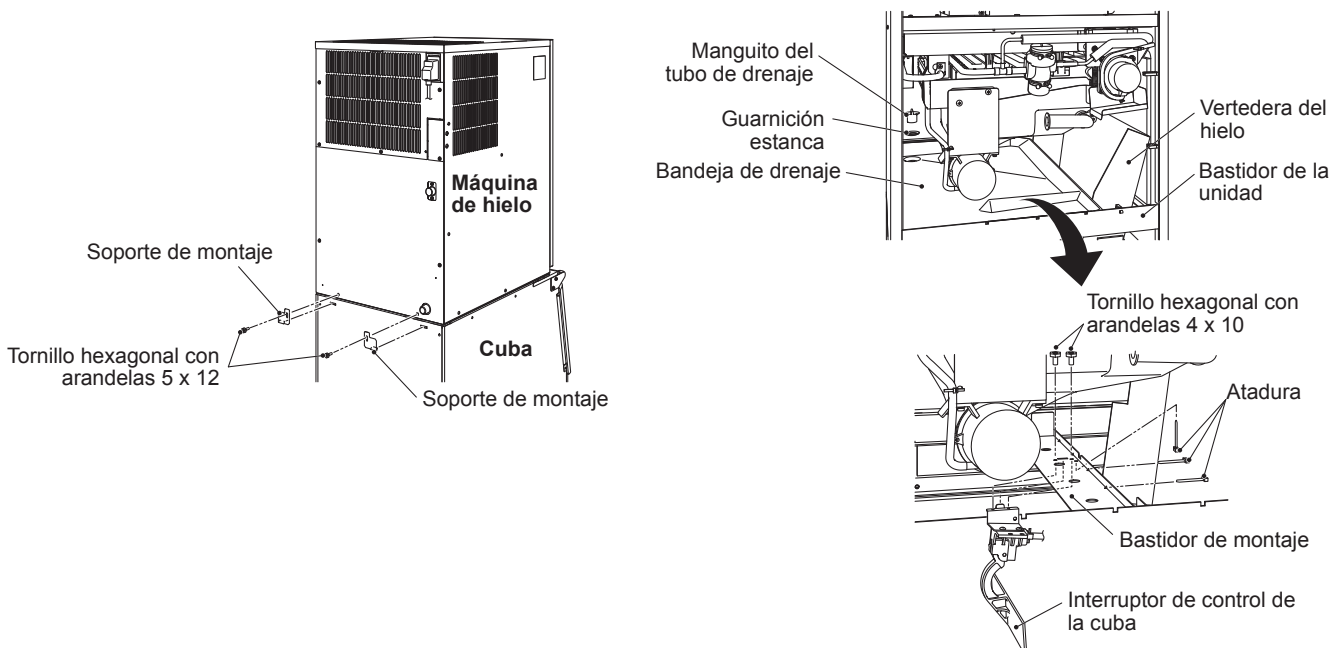
### ⚠ ATENCIÓN

El fabricante no se hace responsable de los daños a personas, animales u otros elementos provocados por una instalación incorrecta.

- 1) Tumbé con cuidado la cuba de almacenamiento sobre su parte posterior para evitar dañarla. Asegure las cuatro patas ajustables (acesorio de la cuba) en los cuatro orificios roscados situados en la parte inferior de la cuba.
- 2) Coloque la cuba de almacenamiento en la posición permanente seleccionada y nivélela tanto respecto del eje lateral como del anteroposterior.



- 3) Desmonte las tapas de la máquina de hielo. No es necesario desmontar la tapa trasera para la instalación. Véase "3. DESEMBALAJE".
- 4) Coloque la máquina de hielo encima de la cuba de almacenamiento sujetándola por la parte inferior.
- 5) Asegure la máquina de hielo a la cuba de almacenamiento por la parte trasera mediante los soportes de montaje y los tornillos que se proporcionan.
- 6) Con un sellador apto para alimentación, selle la junta entre la máquina de hielo y la cuba de almacenamiento.
- 7) Extraiga el manguito del tubo de drenaje y la bandeja de drenaje. Fije el interruptor de control de la cuba al bastidor de montaje con los dos tornillos que se proporcionan. Sujete los cables del interruptor de control de la cuba con las dos abrazaderas de nylon. Coloque la vertedera de hielo en el bastidor de la unidad y vuelva a montar la bandeja de drenaje en su posición correcta.
- 8) Vuelva a montar las tapas de la máquina de hielo en su posición correcta.





## 6. CONEXIONES ELÉCTRICAS

### ⚠ ADVERTENCIA

#### ESTA MÁQUINA DEBE CONECTARSE A TIERRA

Esta máquina de hielo requiere una conexión a tierra conforme a la normativa eléctrica nacional y local.

Para evitar la posibilidad de fuertes descargas eléctricas a personas o graves averías de la unidad, conecte a la máquina un cable de puesta a tierra adecuado.

Antes de realizar operaciones de mantenimiento, reparación o limpieza, desconecte la unidad de la red eléctrica.

- \* Este equipo necesita una alimentación de 220 – 240 VCA, 13 A aparte. El suministro eléctrico debe protegerse con un disyuntor apropiado.
- \* Cada una de las máquinas de hielo instaladas una al lado de otra debería disponer de un receptáculo independiente, pero todas deben estar conectadas en paralelo a la misma fuente monofásica o a un mismo circuito con suficiente corriente máxima.
- \* El fusible principal de la caja de control es de 5 A y solo debe sustituirlo un técnico de mantenimiento cualificado.
- \* Normalmente son necesarios un permiso para obras eléctricas y los servicios de un electricista acreditado.
- \* Si se daña el cable de alimentación, deberá sustituirse por un cable de repuesto disponible en los centros de repuestos/servicio de Hoshizaki.
- \* De acuerdo con los requisitos de la norma IEC, la impedancia máxima permitida del sistema ( $Z_{\text{máx.}}$ ) en el punto del interfaz de la alimentación eléctrica que debe conectarse a esta máquina de hielo es de  $0,23+j0,23$  ohm. Después de haberlo consultado con la autoridad pertinente en caso de que sea necesario, establezca que la máquina de hielo sea conectada únicamente a un suministro de  $0,23+j0,23$  ohm o menos.

#### Únicamente en el Reino Unido y la República de Irlanda

- \* Los hilos del cable de red están coloreados de acuerdo con el código siguiente:

Verde y amarillo = Tierra

Azul = Neutro

Marrón = Activo

Es posible que los colores de los hilos del cable de red de este equipo no se correspondan con las marcas de color que identifican los terminales del enchufe que se utilice. En ese caso, proceda del modo siguiente:

El hilo verde y amarillo se debe conectar al terminal del enchufe marcado con la letra E o con el símbolo  $\perp$ , o de color verde o de color verde-amarillo. El hilo azul debe conectarse al terminal marcado con la letra N o de color negro. El hilo marrón debe conectarse al terminal marcado con la letra L o de color rojo.

- \* En caso de que las tomas de corriente del lugar donde se va a instalar no sean adecuadas para el enchufe que se suministra con el producto, debe sustituirse el enchufe (cortándolo si está moldeado) por uno adecuado.

Si la clavija no reutilizable se ha cortado del cable de alimentación, dicha clavija debe desecharse. No trate de reutilizarla. La introducción de esta clavija en cualquier toma de corriente representa un grave riesgo de descarga eléctrica.

- \* La clavija no reutilizable no debe utilizarse nunca sin una tapa de fusibles montada.

El recambio correcto de la tapa de fusibles desmontable se identifica por el número de referencia del fabricante grabado en la propia clavija.

Puede obtener tapas de fusibles de repuesto en los centros de repuestos/servicio de Hoshizaki.

Los fusibles deben ser de 13 A y estar homologados según BS 1362.

## 7. SUMINISTRO DE AGUA Y CONEXIONES DE DRENAJE

### ⚠ ADVERTENCIA

Conecte la máquina únicamente a un suministro de agua fría potable.

- \* La conexión a la red de suministro general de agua debe hacerse según la regulación vigente de cada país en materia de suministro de agua o racores.

\* El agua para la fabricación de hielo debe ser potable. En los casos en los que la acumulación de sarro se deba a la calidad del agua:

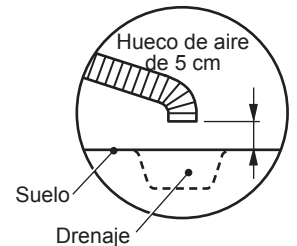
- Se recomienda la instalación de un descalcificador o un filtro externo. Póngase en contacto con un profesional en el tratamiento de aguas local o con un agente de servicio de Hoshizaki.
- Se recomienda el cambio al modo de "aclaramiento con drenaje completo". Póngase en contacto con el servicio técnico de Hoshizaki de su zona.

\* La presión del suministro de agua debe ser de 0,07 MPa (0,7 bar) como mínimo y 0,78 MPa (8 bar) como máximo. Si la presión es superior a 0,78 MPa (8 bar), utilice una válvula reductora adecuada. **NO** trate de reducir la presión actuando sobre la llave de paso.

\* En algunas localidades pueden ser necesarios un permiso para obras de fontanería y los servicios de un fontanero acreditado.

\* El drenaje de la máquina de hielo se realiza por gravedad, de modo que la manguera de drenaje debe disponer de la pendiente y altura adecuadas.

\* Las tuberías no deberían instalarse directamente al drenaje. Debe quedar un hueco de aire vertical de al menos 5 cm entre el extremo de las mangueras de drenaje de la máquina de hielo y la cuba de almacenamiento y el drenaje del suelo.



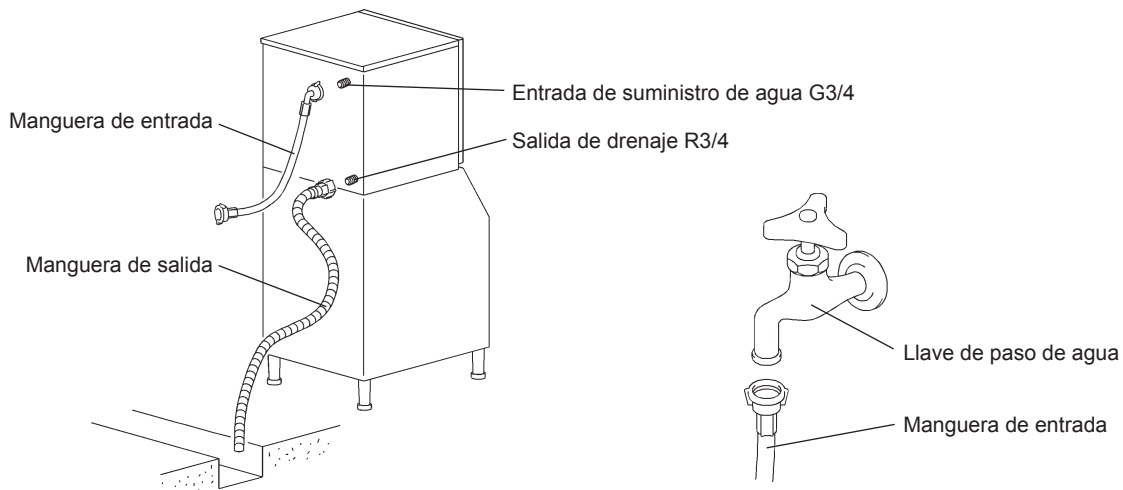
\* Se debe evitar el retorno de flujo a la cuba de almacenamiento.

\* Asegúrese de que utiliza los tubos nuevos que se suministran con el equipo. No reutilice ninguna manguera antigua.

1) Una el extremo acodado de la manguera flexible de entrada (accesoria) al racor G3/4 en la parte trasera de la máquina de hielo, tal como se muestra, verificando que la junta de goma quede correctamente colocada. Apriete a mano lo suficiente para conseguir una junta estanca.

2) Acople el otro extremo de la manguera de entrada al colector de agua, comprobando, antes de apretar a mano como se indica anteriormente, que la junta esté bien colocada. Como medida de precaución, es conveniente tener a mano una válvula de cierre.

3) Apriete a mano la manguera flexible gris de salida (accesoria) en el racor R3/4 en la parte trasera de la máquina de hielo tal como se muestra, verificando que la arandela de goma quede correctamente colocada para obtener una conexión estanca. Puede cortar la manguera a la longitud necesaria ajustándolo a la posición del drenaje principal.



## 8. PROCEDIMIENTO DE PUESTA EN MARCHA

- 1) Abra la llave de paso del agua.
- 2) Conecte y active la alimentación eléctrica.
- 3) La pantalla muestra la palabra de encendido "on".
- 4) Debería producirse la siguiente secuencia:
  - a) La válvula de gas caliente se abre.
  - b) El compresor arrancará después de 30 segundos.

- c) La bandeja de agua se abre completamente.
- d) La electroválvula del agua se abre.
- e) La bandeja de agua empieza a cerrarse (válvula de gas caliente cerrada).
- f) Bandeja de agua completamente cerrada - El motor de la bomba se pone en marcha.
- g) La electroválvula del agua se cierra.

## ▲ HIGIENE

Compruebe el estado y la calidad de la producción de hielo.

No use el hielo obtenido durante el periodo de prueba. Puede estar contaminado con cuerpos extraños del circuito del agua. Deseche o lave con agua el drenaje.

Limpie la cuba de almacenamiento antes de su uso (véase "III. 1. LIMPIEZA" en el manual de instrucciones).

## 9. COMPROBACIONES FINALES

- 1) Compruebe que el voltaje sea correcto.
- 2) Compruebe que la máquina de hielo esté correctamente conectada a tierra.
- 3) Compruebe que la máquina de hielo no vibre.
- 4) Compruebe que los paneles estén bien fijados.
- 5) Compruebe que el funcionamiento sea correcto de acuerdo con "8. PROCEDIMIENTO DE PUESTA EN MARCHA".
- 6) Verifique el suministro de agua y las conexiones de drenaje en busca de fugas.
- 7) Indique al usuario el uso correcto de la máquina. Entregue el manual de instrucciones al usuario.

## INFORMAZIONI IMPORTANTI SULLA SICUREZZA

All'interno del manuale compaiono degli avvertimenti che intendono attirare l'attenzione dell'operatore su situazioni che potrebbero causarne la morte, lesioni gravi o danneggiare l'apparecchio.

<b>▲AVVERTENZA</b>	Indica una situazione pericolosa che, se non evitata, potrebbe causare la morte o lesioni gravi.
<b>▲ATTENZIONE</b>	Indica una situazione pericolosa che, se non evitata, potrebbe causare lesioni di lieve o media entità.
<b>AVVISO</b>	Indica una situazione pericolosa che, se non evitata, potrebbe causare danni all'unità.
<b>▲IGIENE</b>	Indica importanti precauzioni per l'igiene e la sicurezza alimentare.
<b>IMPORTANTE</b>	Indica informazioni importanti in merito all'uso e alla manutenzione dell'unità.

La macchina utilizza un refrigerante senza HFC (propano) che non danneggia l'ozono e materiali ecosostenibili che hanno un potenziale di riscaldamento globale molto basso.

<b>▲AVVERTENZA</b>
L'unità di raffreddamento della macchina contiene un refrigerante infiammabile; pertanto l'installazione, la movimentazione, la manutenzione e lo smaltimento possono essere eseguite esclusivamente da tecnici autorizzati.
Il refrigerante contenuto in questa macchina è infiammabile e sigillato nell'impianto di refrigerazione. Anche se non si verificano perdite di refrigerante con il normale utilizzo, prestare particolare attenzione quando si utilizza la macchina per non provocare danni all'impianto.
In caso di danno accidentale all'impianto di refrigerazione con conseguente perdita di refrigerante: * Evitare la creazione di fonti di innesco nell'area. * Non azionare interruttori o utilizzare spine elettriche nell'area. * Evitare l'uso di fiamme libere. * Aprire immediatamente porte e/o finestre per ventilare l'area. * Contattare un tecnico dell'assistenza.

<b>IMPORTANTE</b>
Al fine di installare il prodotto in modo sicuro e corretto, si raccomanda di leggere prima attentamente il presente manuale e di seguire le istruzioni in esso contenute.
Una volta completata l'installazione, avviare la macchina per verificare che non presenti anomalie. Istruire l'utente in merito all'uso e alla manutenzione della macchina in conformità a quanto riportato nel manuale.
Il presente manuale deve essere consegnato all'utente dopo l'installazione, perché lo conservi insieme al manuale di istruzioni per eventuali necessità di consultazione.

**▲AVVERTENZA**

Questa è una macchina industriale e deve essere utilizzata esclusivamente per gli impieghi per la quale è stata espressamente progettata e collegata a un deposito di raccolta cubetti appropriato specificato da Hoshizaki.

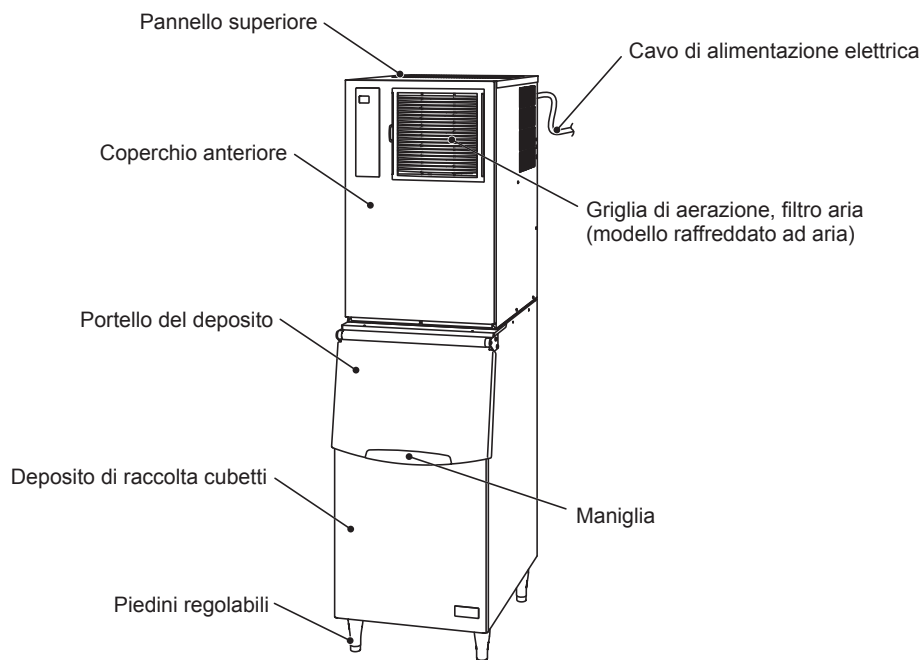
Qualunque altro impiego è da considerarsi improprio e pertanto pericoloso. La casa costruttrice declina ogni responsabilità per eventuali danni provocati da uso improprio, non corretto o sconsiderato.

**L'installazione e, se necessario, lo spostamento, devono essere eseguiti da personale specializzato**, in conformità alle norme vigenti e alle istruzioni della casa costruttrice.

Mantenere prive di ostruzioni le aperture di ventilazione della custodia della macchina o della struttura incorporata.

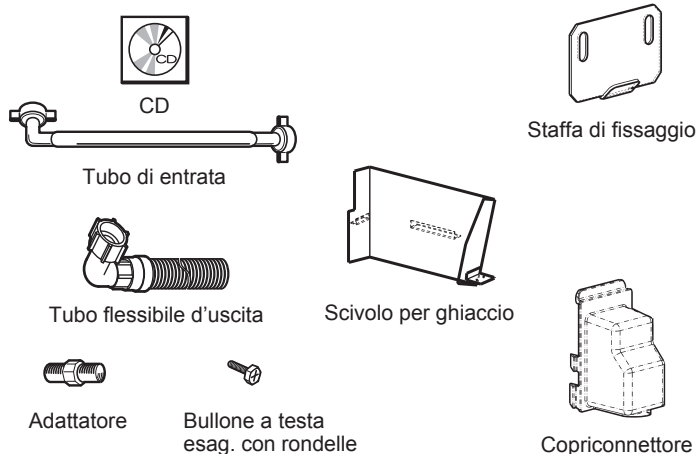
Non utilizzare dispositivi meccanici o altri strumenti per accelerare il processo di scongelamento, ad eccezione di quelli consigliati dal produttore.

## 1. COMPONENTI



## 2. ACCESSORI

	IM-130ANE-HC	IM-240ANE-HC
CD	1	1
Tubo di entrata	1	1
Tubo flessibile d'uscita	1	1
Adattatore	-	-
Staffa di fissaggio	2	2
Bullone a testa esag. con rondelle 5 x 12	2	2
Scivolo per ghiaccio	1	1
Bullone a testa esag. con rondelle 4 x 10	2	2
Copriconnettore	1	1



## 3. DISIMBALLAGGIO

### ⚠ AVVERTENZA

Tenere gli elementi d'imballaggio (sacchetti in plastica e polistirolo espanso) lontano dalla portata dei bambini, perché potenzialmente pericolosi.

### ⚠ ATTENZIONE

Non sollevare o maneggiare il cartone mediante il nastro d'imballaggio.

Quando si sposta l'unità manualmente, rimuovere i pannelli e afferrare l'intelaiatura dell'unità.

Indossare sempre guanti protettivi per trasportare l'unità.

Per evitare il rischio di lesioni, lavorare sempre in coppia quando si movimenta la scatola o l'unità disimballata.

### AVVISO

Rimuovere il cartone d'imballaggio, il nastro/i e l'imballaggio. La macchina non funziona in modo corretto se non si rimuove tutto il materiale d'imballaggio.

Nota: la macchina deve essere dotata di un deposito di raccolta cubetti. Hoshizaki consiglia i seguenti depositi di raccolta cubetti:

B301SA ----- per combinazione con una macchina

B501SA (Kit superiore 8D) ----- per combinazione con una macchina

B801SA (Kit superiore 4DM) -- per combinazione con due macchine

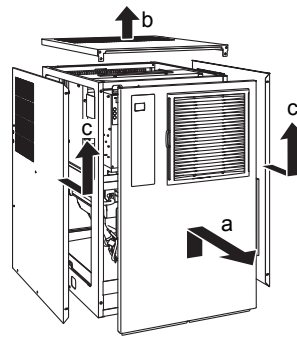
1) Dopo la rimozione dell'imballaggio, accertare che la macchina e il deposito di raccolta cubetti siano in buone condizioni. Qualora sorgano dubbi in merito, non utilizzare la macchina ma rivolgersi a personale qualificato. Per le indicazioni di disimballaggio e installazione si veda il relativo foglio d'istruzioni allegato al deposito di raccolta cubetti.

2) Smontare i pannelli della macchina per accedere al kit accessori e per agevolare l'installazione.

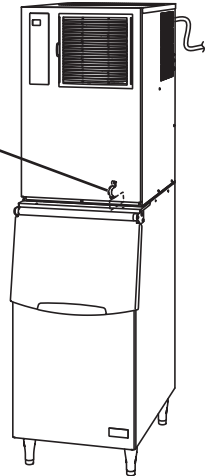
3) Rimuovere l'imballaggio contenente gli accessori. Verificarne il contenuto secondo quanto riportato al punto "2. ACCESSORI".

4) Togliere il nastro adesivo che fissa l'interruttore di controllo deposito.

5) Rimuovere dalla parte esterna la pellicola protettiva in plastica. In caso di esposizione al sole o a fonti di calore, rimuovere la pellicola dopo aver lasciato raffreddare la macchina.



- a) Coperchio anteriore: rimuovere la vite o le viti. Sollevare e tirare verso di sé.
- b) Pannello superiore: rimuovere la vite o le viti. Sollevare.
- c) Pannello laterale: rimuovere la vite o le viti. Far scorrere leggermente in avanti, quindi sollevare.
- d) Pannello posteriore: non è necessario rimuoverlo.



Interruttore comando deposito di raccolta cubetti

## 4. UBICAZIONE

### ⚠ AVVERTENZA

La macchina non è adatta per essere utilizzata all'aria aperta.

La macchina non deve essere ubicata in prossimità di forni, grill o altri apparecchi che producono calore.

La macchina non è adatta per l'installazione in un'area in cui è possibile utilizzare un getto d'acqua.

In alcuni ambienti ad alta umidità, all'interno della macchina potrebbe formarsi della condensa che si riversa poi sul pavimento. Non installare la macchina su un pavimento che potrebbe danneggiarsi a causa dell'acqua.

### ⚠ ATTENZIONE

Il pavimento su cui poggia deve garantire alla macchina una base solida e piana.

### AVVISO

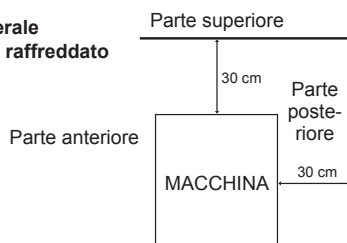
Non posizionare alcun oggetto sulla sommità della macchina e davanti alla sfinestratura.

### IMPORTANTE

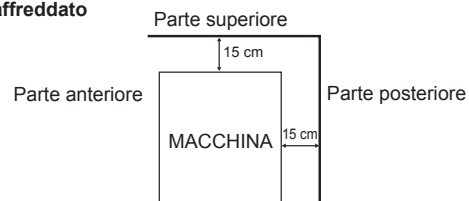
La normale temperatura ambiente d'esercizio deve essere compresa tra 1°C e 40°C. Il collegamento all'approvvigionamento dell'acqua è solo per acqua fredda. Il prolungato funzionamento della macchina a temperature che non rientrano nelle gamme previste può comprometterne la capacità di produzione.

Lasciare uno spazio equivalente a quello sotto specificato in modo da favorire la circolazione dell'aria e le eventuali operazioni di manutenzione o servizio.

Vista laterale  
(modello raffreddato  
ad aria)



Vista laterale  
(modello raffreddato  
ad acqua)



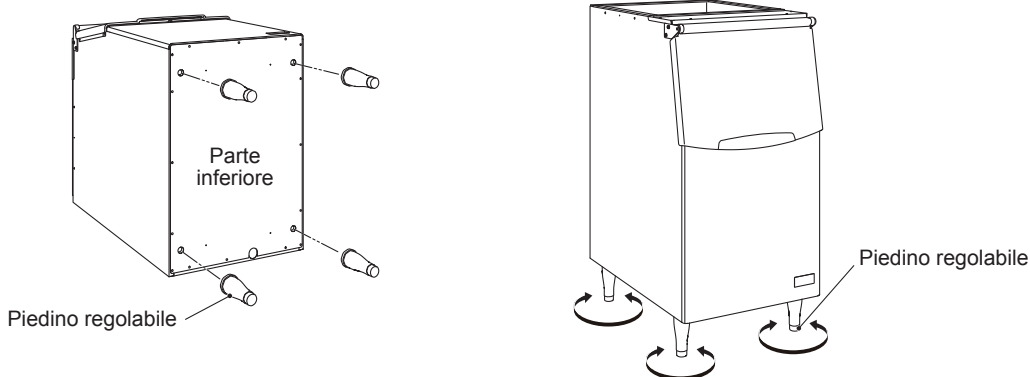
Evitare l'esposizione prolungata della macchina alla luce diretta del sole.

## 5. INSTALLAZIONE

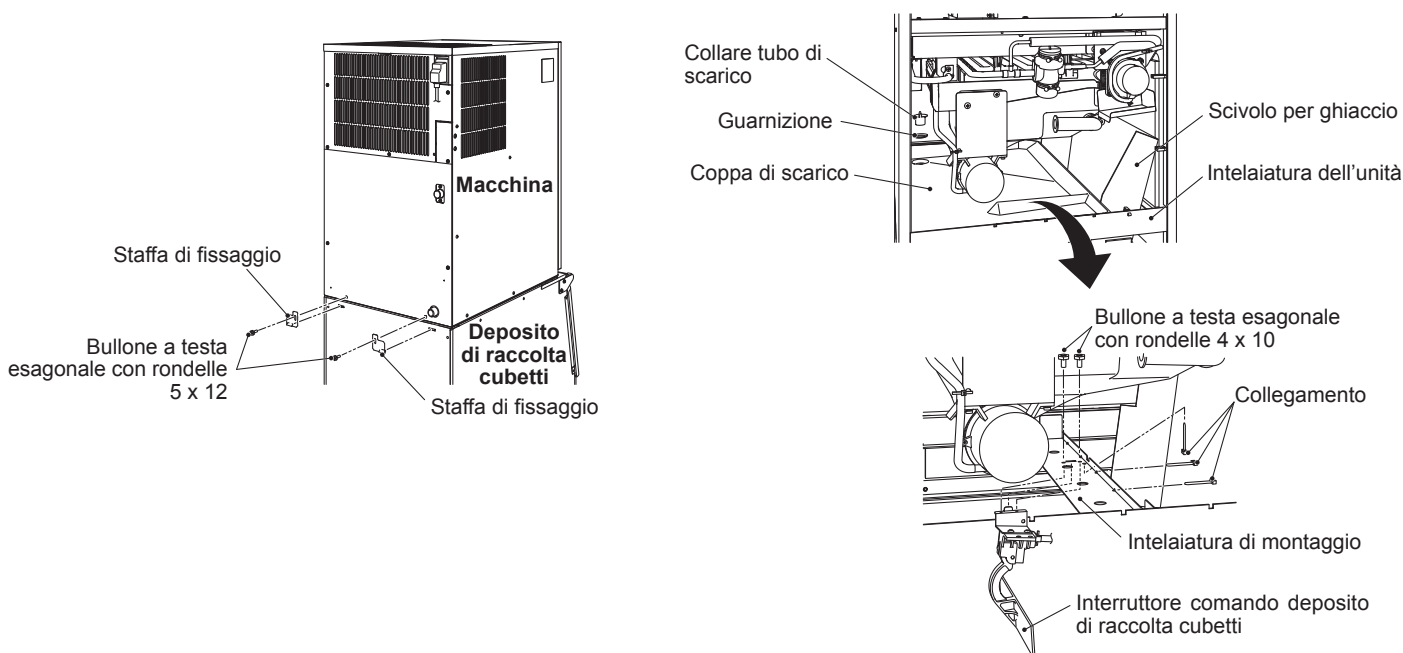
### ⚠ ATTENZIONE

L'installazione non corretta può provocare lesioni alle persone, agli animali e danni materiali, per i quali la casa costruttrice declina ogni responsabilità.

- 1) Appoggiare con cura il deposito di raccolta cubetti sul lato posteriore al fine di prevenire eventuali danni. Fissare i quattro piedini regolabili (in dotazione con il deposito) nei quattro fori filettati sul lato inferiore del deposito.
- 2) Posizionare il deposito di raccolta cubetti nell'ubicazione permanente scelta e regolarlo nelle direzioni sinistra-destra e anteriore-posteriore.



- 3) Smontare i pannelli della macchina. Non è necessario smontare il pannello posteriore per l'installazione. Vedere "3. DISIMBALLAGGIO".
- 4) Afferrandone il fondo, collocare la macchina sopra il deposito di raccolta cubetti.
- 5) Fissare la macchina al deposito di raccolta cubetti posteriormente, servendosi delle staffe di montaggio e dei bulloni in dotazione.
- 6) Sigillare la linea di giunzione fra la macchina e il deposito di raccolta cubetti mediante sigillante per alimenti.
- 7) Togliere il collare del tubo di scarico e la coppa di scarico. Fissare l'interruttore comando deposito di raccolta cubetti all'intelaiatura di montaggio con i due bulloni in dotazione. Fissare il cablaggio dell'interruttore comando deposito di raccolta cubetti con i due collegamenti in nylon. Posizionare lo scivolo per ghiaccio sull'intelaiatura dell'unità e rimontare la coppa di scarico nella posizione corretta.
- 8) Posizionare i pannelli della macchina nel modo corretto.





## 6. COLLEGAMENTI ELETTRICI

### ⚠ AVVERTENZA

#### LA MACCHINA DEVE ESSERE COLLEGATA A MASSA

La macchina deve essere collegata a massa in modo da soddisfare le norme elettriche a livello locale e nazionale.

Per prevenire gravi lesioni da scosse elettriche alle persone e seri danni alla macchina, collegare alla medesima un idoneo cavo di massa.

Scollegare l'alimentazione principale prima di eseguire qualsiasi intervento di manutenzione, riparazione o pulizia.

- \* Questa macchina richiede un'alimentazione separata a 220 - 240VCA, da 13A. L'alimentazione elettrica deve essere protetta da un interruttore automatico adeguato.
- \* Le macchine installate affiancate devono avere ciascuna il proprio innesto femmina, tuttavia devono essere collegate in parallelo allo stesso alimentatore o circuito monofase di portata sufficiente.
- \* Il fusibile della scatola di comando principale è da 5 A e deve essere sostituito esclusivamente da un tecnico di servizio specializzato.
- \* Per eseguire interventi elettrici sono solitamente necessari un permesso specifico nonché l'assistenza di un elettricista qualificato.
- \* Se il cavo di alimentazione è danneggiato, sostituirlo con un cavo di ricambio reperibile presso il centro assistenza/ricambi Hoshizaki.
- \* In conformità ai requisiti dello standard IEC, la massima impedenza del sistema consentita ( $Z_{max}$ ) sul punto di interfaccia dell'alimentazione elettrica da collegare alla macchina deve essere pari a  $0,23+j0,23$  ohm. Determinare, se necessario consultando l'ente di fornitura, se la macchina è collegata solo a un'alimentazione di  $0,23+j0,23$  ohm o inferiore.

#### Solo per il Regno Unito e la Repubblica d'Irlanda

- \* I fili del cavo di alimentazione sono colorati in base al seguente codice:
  - verde e giallo = massa
  - blu = neutro
  - marrone = sotto tensione

Dato che i colori dei fili del cavo di alimentazione della macchina possono non corrispondere ai contrassegni colorati che identificano i terminali della spina dell'utente, procedere come segue.

Il filo verde e giallo deve essere collegato al terminale della spina contrassegnato dalla lettera E o dal simbolo  $\perp$  o di colore verde o verde e giallo. Il filo blu deve essere collegato al terminale della spina contrassegnato dalla lettera N o di colore nero. Il filo marrone deve essere collegato al terminale contrassegnato dalla lettera L o di colore rosso.

- \* Se le prese a muro, nel luogo dell'installazione, non sono adatte alla spina appartenente alla dotazione del prodotto, togliere la spina (tagliandola se è del tipo pressofuso) e sostituirla con una spina adatta.

Se dal cavo di alimentazione elettrica è stata tagliata una spina di tipo non riciclabile, smaltirla. Non cercare di riutilizzarla. Inserire una spina del genere in una qualsiasi altra presa comporta un forte rischio di scosse elettriche.

- \* La spina non riciclabile non va mai utilizzata senza aver montato un coprifusibile.

Per individuare il corretto ricambio del coprifusibile smontabile, leggere il numero di riferimento della casa costruttrice impresso sulla spina.

I coprifusibile possono essere reperiti presso il centro assistenza/ricambi Hoshizaki.

I fusibili devono essere di 13 A e con approvazione BS 1362.

## 7. COLLEGAMENTO DI ALIMENTAZIONE DELL'ACQUA E COLLEGAMENTO DI SCARICO

### ⚠ AVVERTENZA

Collegare solo all'approvvigionamento dell'acqua potabile fredda.

- \* I collegamenti all'approvvigionamento idrico di rete devono essere eseguiti in conformità ai requisiti vigenti delle norme relative all'approvvigionamento dell'acqua e ai raccordi dell'acqua.

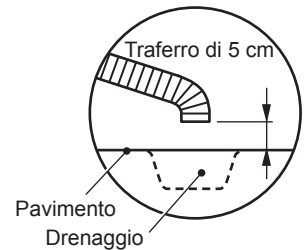
- \* L'acqua utilizzata per la fabbricazione del ghiaccio deve essere potabile. Laddove la qualità dell'acqua può causare disincrostazione,
  - è consigliabile l'installazione di un filtro esterno o di un addolcitore. Contattare un esperto in trattamenti idrici locale o un agente dell'assistenza Hoshizaki.
  - È consigliabile impostare la modalità con flusso di scarico completo. Contattare il locale centro di assistenza Hoshizaki.

- \* La pressione dell'approvvigionamento dell'acqua deve essere di minimo 0,07 MPa (0,7 bar) e massimo 0,78 MPa (8 bar). Se la pressione è superiore a 0,78 MPa (8 bar), utilizzare una valvola limitatrice di pressione appropriata. **NON** strozzare il rubinetto dell'acqua.

- \* In alcune località, per eseguire lavori idraulici sono necessari un permesso specifico nonché l'assistenza di un idraulico qualificato.

- \* La macchina è caratterizzata da un flusso di drenaggio a gravità: assicurarsi che il tubo di scarico abbia una pendenza adatta.

- \* I circuiti di scarico non devono essere installati direttamente nella rete fognaria. È necessario lasciare un traferro verticale di minimo 5 cm tra l'estremità dei tubi di scarico dalla macchina e il deposito di raccolta cubetti e lo scarico a pavimento.



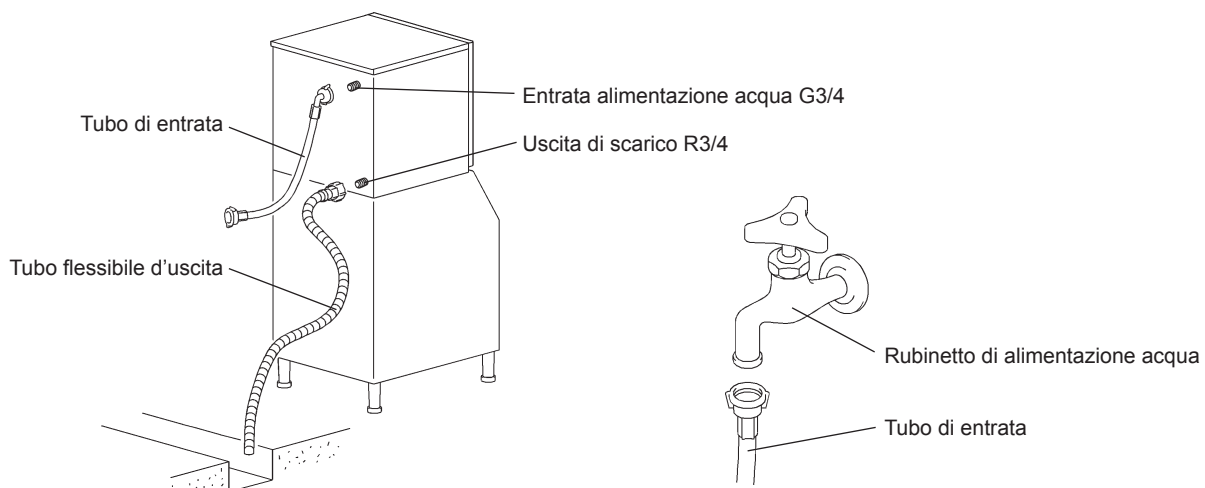
- \* Prevenire un riflusso nel deposito di raccolta cubetti.

- \* Assicurarsi di utilizzare i nuovi set di tubi forniti con l'apparecchio. Non riutilizzare i set di tubi vecchi.

1) Collegare l'estremità a gomito del tubo di entrata (flessibile, accessorio) al raccordo G3/4, situato sul lato posteriore della macchina, come indicato, facendo attenzione che la rondella di tenuta in gomma sia posizionata in modo corretto. Serrare a mano quanto basta a evitare perdite.

2) Collegare al rubinetto dell'acqua l'altra estremità del tubo flessibile di entrata, facendo attenzione che la rondella sia posizionata correttamente prima di serrare a mano come descritto in precedenza. È consigliabile per precauzione inserire una valvola di arresto in posizione facilmente accessibile.

3) Serrare a mano il tubo di uscita (flessibile grigio, accessorio) sul raccordo R3/4 sul lato posteriore della macchina come indicato, facendo attenzione che la rondella in gomma sia posizionata in modo corretto, per garantire un accoppiamento a tenuta stagna. Il tubo può essere tagliato alla lunghezza necessaria per adattarsi alla posizione dello scarico principale.



## 8. PROCEDURA DI AVVIO

- 1) Aprire il rubinetto dell'acqua.
- 2) Collegare e inserire l'alimentazione elettrica.
- 3) Sul display viene indicato "on".
- 4) Nell'ordine, devono verificarsi le seguenti operazioni:
  - a) La valvola del gas caldo si apre.
  - b) Il compressore si avvia dopo 30 secondi.

- c) La coppa dell'acqua si apre completamente.
- d) L'elettrovalvola dell'acqua si apre.
- e) La coppa dell'acqua inizia a chiudersi (la valvola del gas caldo si chiude).
- f) La coppa dell'acqua è completamente chiusa; il motorino della pompa si avvia.
- g) L'elettrovalvola dell'acqua si chiude.

<b>▲ IGIENE</b>
-----------------

Verificare le condizioni e la qualità della produzione di cubetti.
--

Non utilizzare i cubetti prodotti durante il ciclo di prova. Potrebbero essere contaminati da sostanze estranee presenti nel circuito dell'acqua. Eliminarli o farli scendere nello scarico.
--

Pulire il deposito di raccolta cubetti prima dell'uso (vedere "III. 1. PULIZIA" nel manuale di istruzioni).
---

## 9. CONTROLLI FINALI

- 1) Verificare la corretta tensione di alimentazione.
- 2) Verificare che la macchina sia collegata a massa in modo corretto.
- 3) Assicurarsi che la macchina sia esente da vibrazioni.
- 4) Assicurarsi che tutti i pannelli siano fissati e bloccati.
- 5) Verificare il corretto funzionamento secondo quanto riportato al punto "8. PROCEDURA DI AVVIO".
- 6) Verificare l'assenza di perdite di acqua nel collegamento di alimentazione dell'acqua e in quello di scarico.
- 7) Istruire l'utente in merito all'utilizzo corretto della macchina. Consegnare il manuale di istruzioni all'utente.

## ВАЖНЫЕ УКАЗАНИЯ ПО ТЕХНИКЕ БЕЗОПАСНОСТИ

В различных частях документа приводятся примечания, чтобы привлечь ваше внимание к ситуациям, которые могут привести к смерти, серьезной травме или повреждению устройства.

<b>▲ВНИМАНИЕ!</b>	Указание на опасную ситуацию, в которой (если ее не устранить) существует опасность смертельного исхода или получения серьезной травмы.
<b>▲ОСТОРОЖНО!</b>	Указание на опасную ситуацию, в которой (если ее не устранить) существует опасность телесного повреждения малой или средней тяжести.
<b>ПРЕДУПРЕЖДЕНИЕ</b>	Указание на опасную ситуацию, в которой (если ее не устранить) существует опасность повреждения устройства.
<b>▲ГИГИЕНА</b>	Указание на необходимость соблюдения гигиенических правил и правил безопасности пищевых продуктов.
<b>ВАЖНОЕ ЗАМЕЧАНИЕ</b>	Указание на важную информацию об использовании устройства и уходе за ним.

В данном генераторе льда используется хладагент без ГФУ (пропан), не оказывающий вредного влияния на озоновый слой атмосферы, и применяются материалы, не наносящие вреда окружающей среде и обладающие очень низким воздействием на глобальное потепление.

<b>▲ВНИМАНИЕ!</b>
Генератор льда содержит воспламеняющийся хладагент в охлаждающем блоке, поэтому установка, уход, техническое обслуживание и утилизация должны проводиться только квалифицированным персоналом.
Используемый в данном льдогенераторе хладагент огнеопасен и находится в герметичной системе охлаждения. При нормальной работе аппарата утечки хладагента отсутствуют. Однако при использовании генератора льда следует соблюдать осторожность, чтобы не повредить систему.
При случайном повреждении системы охлаждения, вызвавшем утечку хладагента: * Не допускайте искрообразования в зоне утечки. * Не пользуйтесь электрическими выключателями и сетевыми розетками. * Не пользуйтесь открытым пламенем. * Немедленно проветрите помещение, открыв двери и/или окна. * Обратитесь к квалифицированному специалисту.

<b>ВАЖНОЕ ЗАМЕЧАНИЕ</b>
В целях обеспечения безопасной и надлежащей установки изделия необходимо внимательно ознакомиться с содержанием этого буклета перед началом работ и следовать содержащимся в нем инструкциям.
После установки запустите генератор льда для выявления каких-либо возможных отклонений. Объясните пользователю правила эксплуатации и обслуживания генератора льда в соответствии с данным руководством по эксплуатации.

После установки этот буклет необходимо передать пользователю на хранение вместе с руководством по эксплуатации для последующего обращения к нему в случае необходимости.

## ▲ ВНИМАНИЕ!

Данное изделие представляет собой промышленный генератор льда, использование которого допускается исключительно в соответствии с назначением и в сочетании с подходящим бункером, рекомендованным компанией Hoshizaki.

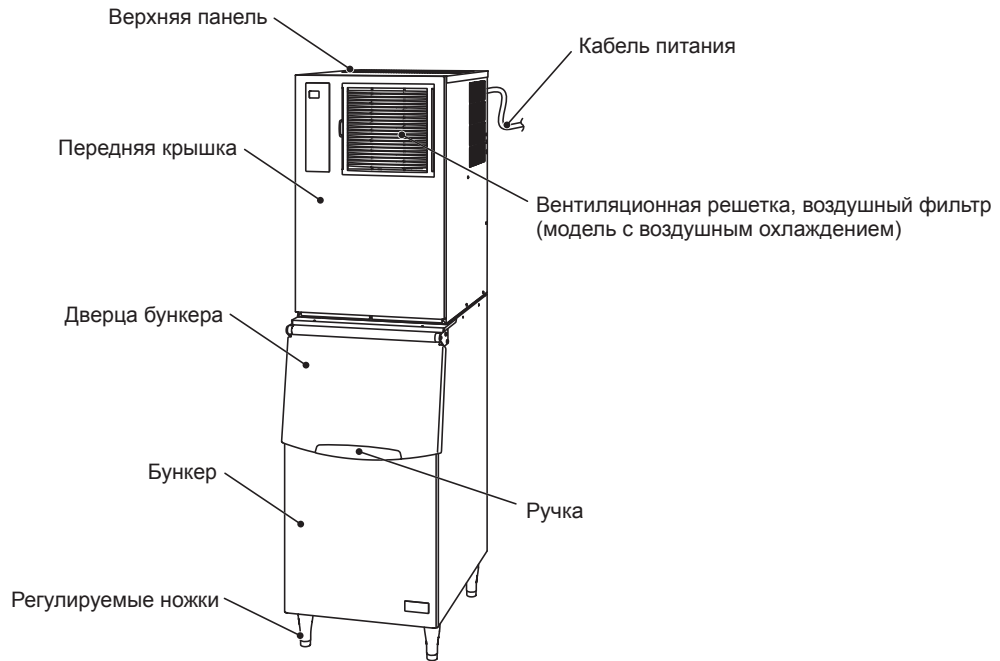
Использование в любых других целях считается ненадлежащим, а потому представляет опасность. Производитель не несет ответственности за ущерб, причиненный в результате ненадлежащего, неправильного и необдуманного использования.

**Установка и, при необходимости, перемещение устройства должны выполняться квалифицированным персоналом** в соответствии с существующими нормами и согласно инструкциям производителя.

Не закрывайте вентиляционные отверстия в корпусе устройства и встроенных в него принадлежностей.

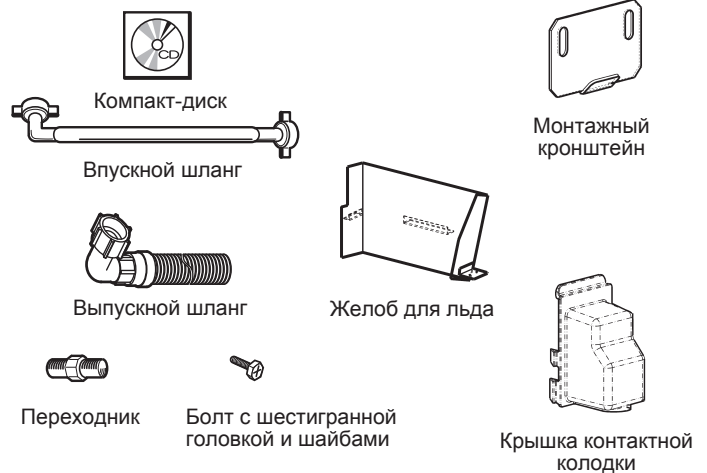
Не используйте механические и иные средства для ускорения процесса размораживания, кроме рекомендованных производителем.

## 1. КОНСТРУКЦИЯ



## 2. ПРИНАДЛЕЖНОСТИ

	IM-130ANE-NC	IM-240ANE-NC
Компакт-диск	1	1
Впускной шланг	1	1
Выпускной шланг	1	1
Переходник	-	-
Монтажный кронштейн	2	2
Болт с шестигранной головкой и шайбами 5 x 12	2	2
Желоб для льда	1	1
Болт с шестигранной головкой и шайбами 4 x 10	2	2
Крышка контактной колодки	1	1



## 3. РАСПАКОВКА

### ⚠ ВНИМАНИЕ!

Не подпускайте детей к упаковочным материалам (пластиковым пакетам и пенопласту), поскольку они представляют для них потенциальную опасность.

### ⚠ ОСТОРОЖНО!

Не поднимайте и не перемещайте картонную коробку с помощью транспортировочных лент.

При перемещении устройства вручную снимите панели и держитесь за каркас корпуса.

При переноске устройства надевайте защитные перчатки.

При обращении с упаковочной коробкой или нераспакованным устройством работайте в паре во избежание телесных повреждений.

### ПРЕДУПРЕЖДЕНИЕ

Извлеките картонный поддон, снимите ленты и упаковку. Упаковочные материалы, оставленные в генераторе льда, будут препятствовать нормальной работе устройства.

Примечание. Для генератора льда этой модели необходим бункер. Компания Hoshizaki рекомендует использовать следующие бункеры для хранения льда:

B301SA ----- для использования с генератором льда

B501SA (с верхним расположением контейнеров 8D) ----- для использования с генератором льда  
 B801SA (с верхним расположением контейнеров 4DM) ----- для использования с двумя генераторами льда

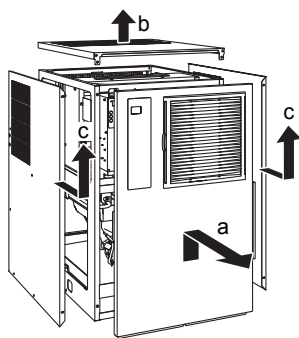
1) После удаления упаковочных материалов убедитесь, что генератор льда и бункер находятся в хорошем состоянии. В случае сомнений не пользуйтесь льдогенератором, обратитесь за помощью к квалифицированным специалистам. Указания по распаковке и установке см. в инструкции, прилагаемой к бункеру.

2) Снимите панели льдогенератора для получения доступа к комплекту принадлежностей и облегчения установки.

3) Снимите упаковку с принадлежностями. Проверьте комплектность в соответствии с разделом «2. ПРИНАДЛЕЖНОСТИ».

4) Снимите транспортировочную ленту с переключателя управления бункером.

5) Снимите защитную пластиковую пленку с внешних панелей. Если генератор льда подвергался воздействию солнечных лучей или высокой температуры, снимите пленку после того, как генератор остынет.



- a) Передняя крышка: Отверните винт(ы). Приподнимите и потяните на себя, чтобы снять.
- b) Верхняя панель: Отверните винт(ы). Просто поднимите.
- c) Боковая панель: Отверните винт(ы). Сместите слегка вперед, а затем поднимите.
- d) Задняя панель: Снимать не требуется.



## 4. МЕСТО УСТАНОВКИ

### ▲ ВНИМАНИЕ!

Генератор льда предназначен для использования только в помещении.

Не размещайте генератор льда вблизи духовок, жарочных шкафов и другого оборудования, выделяющего тепло.

Данное устройство не следует устанавливать в местах, где производится обработка струей воды.

В местах с повышенной влажностью внутри устройства может образоваться конденсат, который будет стекать на пол. Не производите установку в местах, где вода может повредить покрытие пола.

### ▲ ОСТОРОЖНО!

Устанавливать льдогенератор следует на твердой ровной поверхности.

### ПРЕДУПРЕЖДЕНИЕ

Не размещайте ничего на генераторе льда или перед вентиляционной решеткой.

### ВАЖНОЕ ЗАМЕЧАНИЕ

Нормальная рабочая температура окружающего воздуха составляет от 1°C до 40°C. Для подачи воды в устройство к нему подключается линия холодной воды. Длительная эксплуатация генератора льда в условиях, не соответствующих приведенным нормам, может привести к снижению производительности.

Для надлежащей циркуляции воздуха и облегчения доступа при проведении технического и/или планового обслуживания необходимо оставить свободное пространство, как это указано ниже.



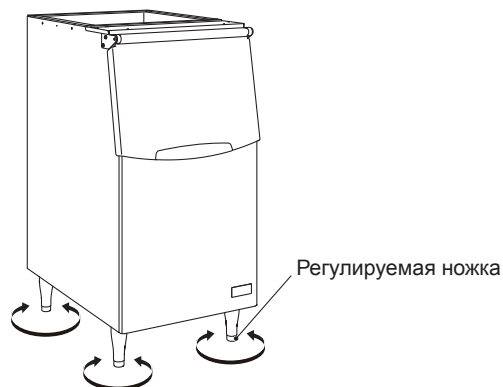
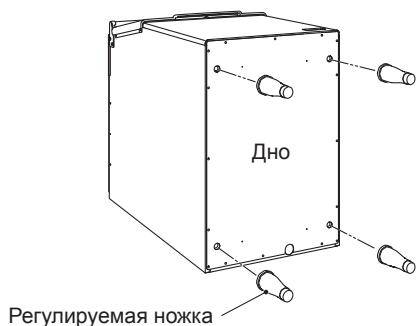
Избегайте длительного воздействия на устройство прямых солнечных лучей.

## 5. УСТАНОВКА

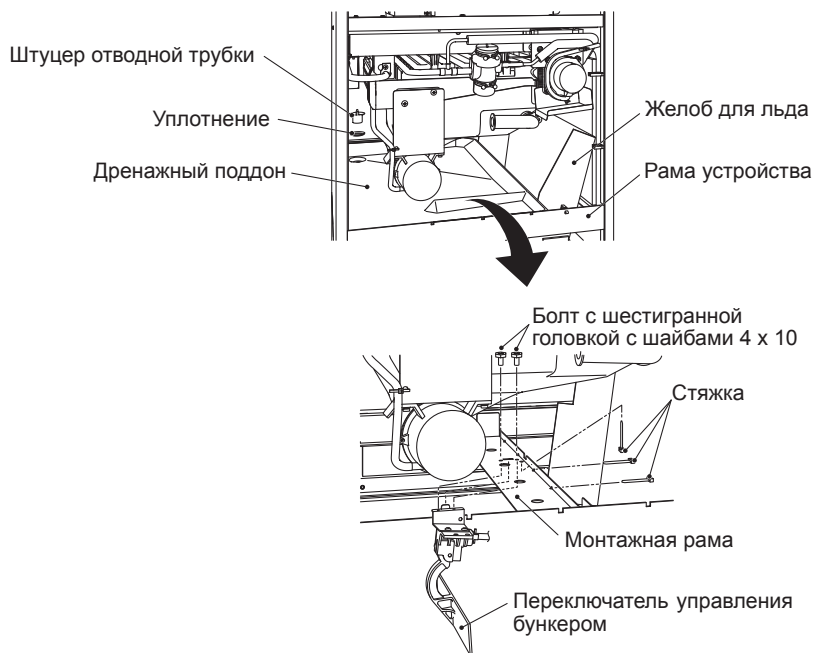
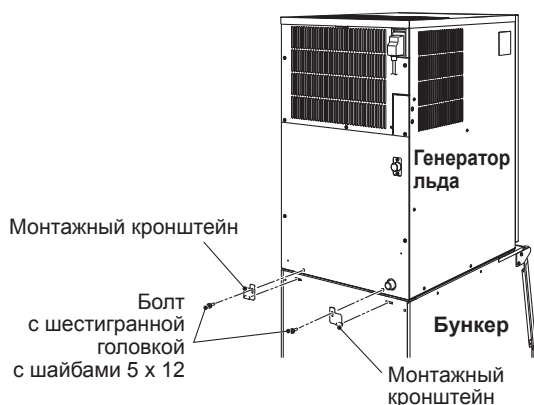
### ⚠ ОСТОРОЖНО!

При неправильной установке могут пострадать люди, животные или имущество. В этом случае производитель не несет никакой ответственности.

- 1) Во избежание повреждений осторожно положите бункер задней стороной вниз. Закрепите четыре регулируемых ножки (входят в комплект поставки бункера) в четырех резьбовых отверстиях в нижней части бункера.
- 2) Установите бункер в выбранном месте его постоянного размещения и выровняйте как слева-справа, так и спереди-сзади.



- 3) Снимите панели льдогенератора. При установке снимать заднюю панель не требуется. См. раздел «3. РАСПАКОВКА».
- 4) Удерживая за дно, установите льдогенератор на верхнюю поверхность бункера.
- 5) Закрепите льдогенератор на бункере с задней стороны с помощью монтажных кронштейнов и болтов, входящих в комплект поставки.
- 6) Нанесите слой уплотнения между генератором льда и бункером, используя пищевой уплотнитель.
- 7) Снимите штуцер отводной трубки и дренажный поддон. Закрепите переключатель управления бункером на монтажной раме с помощью двух болтов, входящих в комплект поставки. Закрепите провод переключателя управления бункером с помощью двух нейлоновых стяжек. Установите желоб для льда на раме устройства, а дренажный поддон – в надлежащем положении.
- 8) Установите на место панели льдогенератора.





## 6. ЭЛЕКТРИЧЕСКИЕ СОЕДИНЕНИЯ

### ▲ ВНИМАНИЕ!

#### ОБОРУДОВАНИЕ НЕОБХОДИМО ЗАЗЕМЛИТЬ!


Генератор льда необходимо заземлить в соответствии с требованиями международных и региональных электротехнических правил и норм.

Во избежание поражения электрическим током персонала и нанесения значительного ущерба оборудованию для заземления генератора льда необходимо использовать соответствующий заземляющий провод.

Перед проведением технического обслуживания, ремонта или очистки отключайте устройство от электрической сети.

- \* Для генератора льда требуется отдельная цепь питания переменного тока с напряжением 220–240 В, 13 А. Источник электропитания должен иметь надлежащий автоматический выключатель.
- \* При установке рядом нескольких генераторов льда необходимо использовать отдельную розетку питания для каждого из них, но все они должны быть подключены параллельно к одному и тому же однофазному источнику питания или цепи с достаточной допустимой токовой нагрузкой.
- \* Замену предохранителя номиналом 5 А в главном блоке управления должен проводить только квалифицированный специалист.
- \* Как правило, для этого требуется специалист, имеющий допуск на проведение электротехнических работ, или дипломированный электрик.
- \* Поврежденный кабель питания следует заменить на кабель, приобретенный в центрах запасных частей и сервисных центрах компании Hoshizaki.
- \* В соответствии с требованиями стандарта IEC максимально допустимое полное сопротивление системы ( $Z_{max}$ ) в точке ввода питания для данного льдогенератора должно составлять  $0,23+j0,23$  Ом. Убедитесь (при необходимости обратившись в энергоснабжающую организацию), что данный генератор льда подключен к источнику питания с полным сопротивлением  $0,23+j0,23$  Ом или меньше.

#### Только для Великобритании и Ирландии

- \* Провода сетевого кабеля имеют следующую цветовую маркировку.  
 Зеленый и желтый – заземление  
 Синий – нейтраль  
 Коричневый – фаза (под напряжением)  
 Поскольку цвета проводов сетевого кабеля данного устройства могут не совпадать с цветовыми обозначениями клемм используемого разъема, выполните следующее.  
 Желто-зеленый провод необходимо подключить к клемме разъема, помеченной буквой E или символом  или окрашенной в зеленый или желто-зеленый цвет. Синий провод необходимо подключить к клемме разъема, помеченной буквой N или окрашенной в черный цвет. Коричневый провод необходимо подключить к клемме разъема, помеченной буквой L или окрашенной в красный цвет.
- \* Если розетка в месте установки не подходит для вилки устройства, необходимо заменить вилку (срезать, если она неразборная).  
 Неразъемную вилку, срезанную с кабеля питания, необходимо выбросить. Запрещается ее повторное использование. Подключение такой вилки к любой розетке влечет за собой опасность поражения электрическим током.
- \* Запрещается использовать разъем со встроенным предохранителем без установленной крышки предохранителя.  
 Для правильной замены съемной крышки предохранителя см. номер детали, указанный производителем на разъеме.  
 Запасную крышку предохранителя можно заказать в центрах запасных частей и сервисных центрах компании Hoshizaki.  
 Необходимо использовать предохранители номиналом 13 А, утвержденные согласно стандарту BS 1362.

## 7. ПОДКЛЮЧЕНИЕ ЛИНИЙ ПОДАЧИ ВОДЫ И СЛИВА

### ⚠ ВНИМАНИЕ!

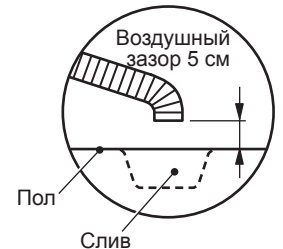
Подсоединять только к источнику холодной питьевой воды.

- \* Подключение к водопроводной сети должно выполняться в соответствии с существующими требованиями для подачи воды или нормами на соединительную арматуру той страны, в которой установлен генератор.
- \* Вода для приготовления льда должна быть питьевой. При образовании осадка из-за плохого качества воды:
  - Рекомендуется установить дополнительный фильтр или использовать умягчитель воды. Обратитесь к специалисту по очистке воды или агенту по техническому обслуживанию компании Hoshizaki.
  - Включите режим «полной очистки промыванием». Обратитесь к агенту по техническому обслуживанию местного отделения компании Hoshizaki.
- \* Давление в линии подачи воды должно быть не менее 0,07 МПа (0,7 бар) и не более 0,78 МПа (8 бар). При напоре выше 0,78 МПа (8 бар) используйте соответствующий редуцирующий гидроклапан. НЕ уменьшайте напор путем регулировки водопроводного крана.
- \* В некоторых регионах, возможно, потребуется получить допуск на проведение слесарных работ и воспользоваться услугами квалифицированного слесаря-водопроводчика.
- \* Слив из генератора льда происходит самотеком, поэтому необходимо обеспечить надлежащий наклон или перепад уровней.

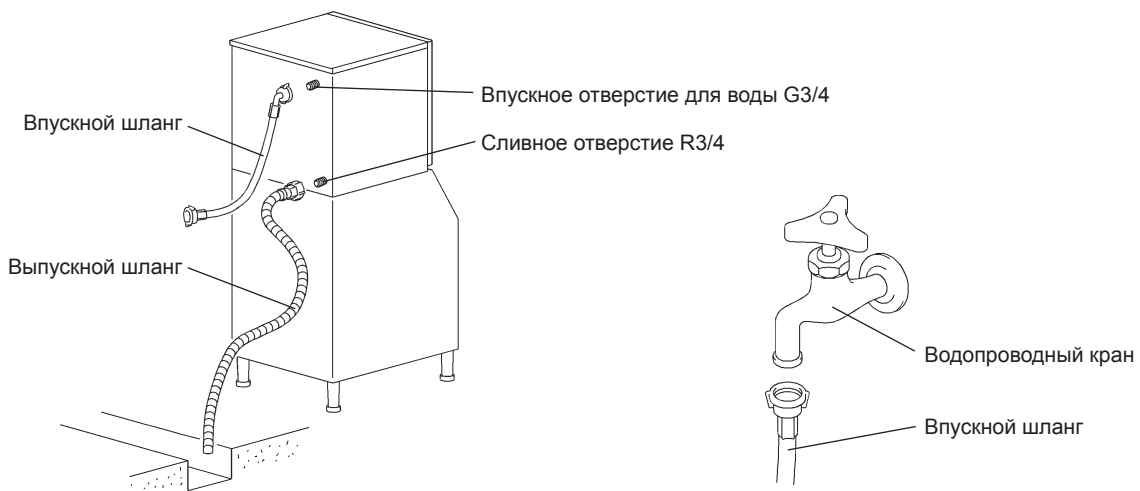
\* Слив не должен осуществляться прямо в канализационную систему. Между концом сливных шлангов льдогенератора и бункера и спускным отверстием внизу следует оставлять зазор не менее 5 см.

\* Не допускайте противотока в бункер.

\* Используйте только новые шланговые комплекты, поставляемые с данным устройством. Не используйте повторно бывшие в употреблении шланговые комплекты.



- 1) Присоедините изогнутый конец гибкого впускного шланга (из комплекта принадлежностей) к муфте G3/4 с задней стороны генератора льда, как показано на рисунке, проверив правильность установки резиновой уплотнительной шайбы. Вручную надежно затяните соединение, чтобы не допустить протечки.
- 2) Другой конец впускного шланга подсоедините к водопроводному крану, правильно установив шайбы, и затяните, как описано выше. В целях предосторожности позаботьтесь о том, чтобы запорный вентиль всегда находился в пределах досягаемости.
- 3) Вручную натяните серый гибкий выпускной шланг (из комплекта принадлежностей) на штуцер R3/4 с задней стороны генератора льда, как показано на рисунке, проверив правильность установки резиновой уплотнительной шайбы во избежание протечки. Шланг можно обрезать с учетом расстояния до стока (сточного коллектора).



## 8. ПРОЦЕДУРА ЗАПУСКА

- 1) Откройте водопроводный кран.
- 2) Подключитесь к источнику электропитания и включите устройство.
- 3) На дисплее отображается «On (Вкл.)».
- 4) Последовательно выполняются следующие операции:
  - а) Открывается клапан горячего воздуха.
  - б) Компрессор запускается через 30 секунд.
  - в) Полностью открывается емкость для воды.
  - г) Открывается водный соленоид.
  - д) Начинает закрываться емкость для воды (закрывается клапан горячего воздуха).
  - е) Емкость для воды полностью закрывается – включается электродвигатель насоса.
  - ж) Водный соленоид закрывается.

### ▲ ГИГИЕНА

Проверьте состояние и качество полученного льда.

Не используйте лед, полученный при пробном запуске. В нем могут содержаться посторонние частицы из водяного контура. Слейте или спустите использованную жидкость.

Перед использованием очистите бункер (см. раздел «III. 1. ОЧИСТКА» в руководстве по эксплуатации).

## 9. ПОСЛЕДНЯЯ ПРОВЕРКА

- 1) Убедитесь в соответствии напряжения питающей сети.
- 2) Проверьте правильность заземления льдогенератора.
- 3) Убедитесь в отсутствии вибрации льдогенератора.
- 4) Проверьте надежность крепления всех панелей устройства.
- 5) Проверьте правильность работы в соответствии с описанием в разделе «8. ПРОЦЕДУРА ЗАПУСКА».
- 6) Проверьте соединения для подачи воды и слива на отсутствие протечек.
- 7) Проинструктируйте пользователя по вопросам правильной эксплуатации устройства. Вручите данное руководство по эксплуатации пользователю.