

JOLLY SLX SB 10 T.NOTTE R507 (COD. E6142M0401)

Leading brands for one international industrial project

MONDIAL GROUP

Your partner when it comes to refrigeration

Open wall display for sausages and dairy products

Technical data

Temperature	+2°C +6°C
Voltage and Frequency	230 V~ 50 Hz
Gas	R507
Net dimension	985 x 737 x 1985 mm (l x p x h)
Packed dimension	1040 x 760 x 2120 mm (l x p x h)
Gross capacity	657 l
Net capacity	447 l
Gross weight	170.00 Kg
Net weight	152.00 Kg
Heat insulation	In polyurethane injected "HCFC/CFC" free
External cabinet	Stainless steel sheet scotchbrite - AISI 430
Cabinet back	Galvanized sheet
Inner tank	Stainless steel sheet - AISI 304
Frontal grid - colour	Stainless steel sheet scotchbrite - AISI 430
Compressor	3/4 HP
Sound level	52 dB (A)
absorbed power	950 W
Absorbed current	4,8 A
Power consumption (24h)	17,1 kWh/24h
Condensator	Packed system (finned) with powered fan
Evaporator	Packed system (finned) with powered fan
Defrosting	automatic defrosting with automatic water evaporation
Climatic class EN 23953	3 (25°C 60% R.H.)
Plug	European - Angular Plug
Thermometer/Thermostat	Electronic
Inner levels	4 reclining shelves + 1 at the bottom
Standard equipment	4 tier adjustable shelving - 40 mm ticket strip on shelves - Adjustable feet - Night curtain
Optional	backlighted header with independent plug - wire risers height - transparent risers - wheels - sliding glasses kit
Packaging	Polystyrene + wood + film pack
Brand	MONDIAL ELITE
Producer brand	Mondial Group

JOLLY SLX SB 10 T.NOTTE R507 (COD. E6142M0401)

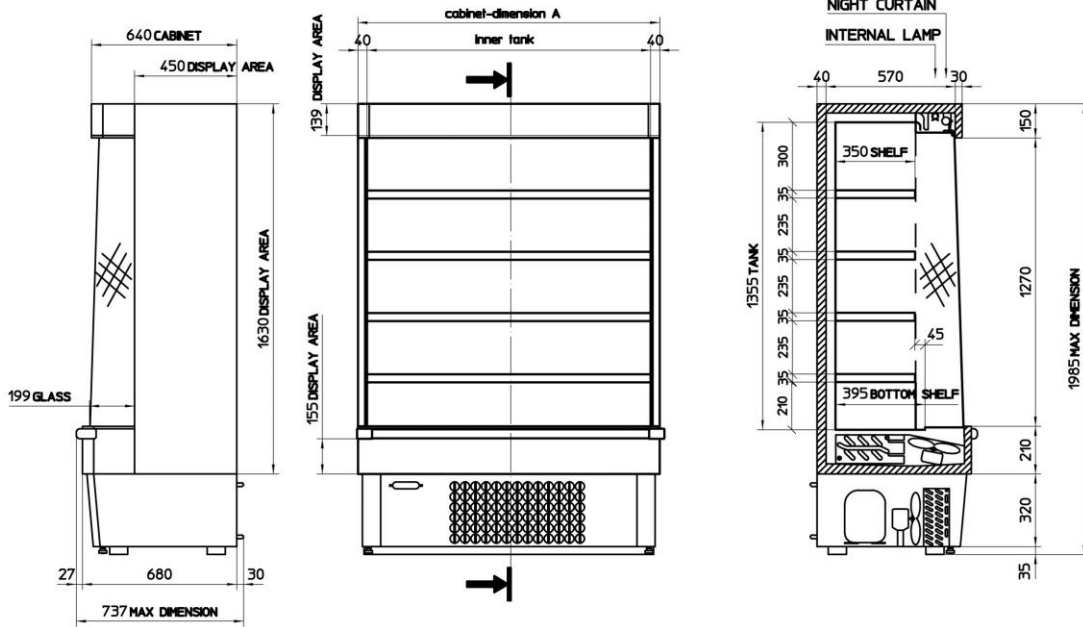
Leading brands for one international industrial project

MONDIAL GROUP

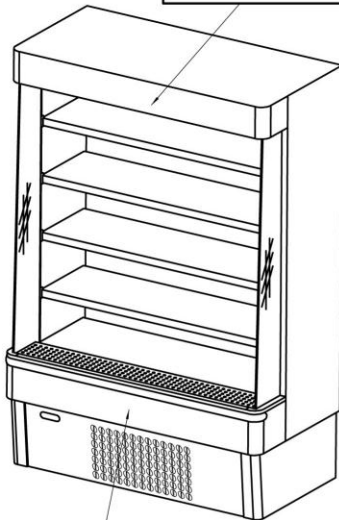
Your partner when it comes to refrigeration

Open wall display for sausages and dairy products

Layout



FRONTAL DISPLAY AREA LxH	DIMENSIONE SERIGRAFABILE LxH
MULTIDEK7	1020x139
MULTIDEK10	1320x139
MULTIDEK14	1670x139
MULTIDEK19	2220x139



FRONTAL DISPLAY AREA LxH	DIMENSIONE SERIGRAFABILE LxH
MULTIDEK7	1100x155
MULTIDEK10	1400x155
MULTIDEK14	1750x155
MULTIDEK19	2300x155

MODEL	cabinet-dimension A	inner tank	TOTAL DISPLAY SURFACE (m2)
MULTIDECK 7	685	600	1.236
MULTIDECK 10	985	900	1.627
MULTIDECK 14	1335	1250	2.08
MULTIDECK 19	1685	1800	2.8

JOLLY 7-10-14-19

S_41075 - 01

Updated on
12/04/2012

JOLLY SLX SB 10 T.NOTTE R507 (COD. E6142M0401)

Leading brands for one international industrial project

MONDIAL GROUP®

Your partner when it comes to refrigeration

Open wall display for sausages and dairy products

Spare parts list

Ref.	Description	Code
1	ALU LEVELLING FOOT M12	5601100
2	DAYTIME FLUORESCENT LAMP 18W D26 G13 ->	1112007
3	TRANSP.TUBE D.29X33X585 FOR PROTECTION LAMP 18W	1731021
4	LAMP WIRING MULTIDECK	8961576
5	GLASS HOLDER PLATE MULTIDECK WHITE/9003	1722263
6	SIDE GLASS MULTIDECK	1751395
7	EVAPORATOR WINNER90 SL/FV-MULTIDECK 10 SL	4132091
8	EVAPORATOR FAN MOTOR 10W - FAN 200.19 L2500 3FFM	4121134
9	BOTTOM SHELF MULTIDECK 10 304/BA	8915947
10	FILTER GR.50 XH9	3141041
11	ACCESSORIES SET NEK6217GK 220/240-50 CSR	1147493
12	COMPRESSOR NEK6217GK 220-240/50 CSR R404A	4108045
13	CONDENSER 20T-2R SLIM90-FV90-MULTIDECK10 SL	4112077
14	MOTOR FAN 10W 230-50/60 H72 M3	4022056
15	FAN D.230X28 GRD.ALL.	4022031
16	WATER EVAPORATION TRAY SLIM-TRIS ECONOMY	1722158
17	PIPE COIL FOR WATER TRAY MULTIDECK 10 PAINT	8922356
19	BRACKET RESIST.HOLDER DRAIN SLIM/TRIS/MULTID.ECO 304/2B	8915865
20	PTC CARTRIDGE RESISTANCE SLIM	1192081
21	TWO-POLE SWITCH BLACK	1014073
22	DIGITAL THERMOSTAT XR02CX MULTIDECK SL->	1188154
23	NTC L=2000 DIGITAL THERMOSTAT PROBE	1185050
24	NTC L=2000 DIGITAL THERMOSTAT PROBE PVC	1185052
25	REAR GRID MULTIDECK 10	0621270
26	RIGHT BRACKET FOR SHELF MULTIDECK - STAINLESS STEEL	8915837
27	LEFT BRACKET FOR SHELF MULTIDECK - STAINLESS STEEL	8915838
28	SHELF MULTIDECK 10 A.304/BA	8915948
29	ADESIVE PRICE HOLDER PROFILE MULTIDECK 10 WHITE	1712623
30	FRONT.GRID MULTIDECK 10 ME (COFFEE) INOX 430/SB	8530164
31	CONTROL BOARD MULTIDECK	1792520
32	CURVED BUMPER MULTIDECK 10 BLACK	1712649
33	ANGULAR CURVED BUMPER MULTIDECK BLACK	1723011
34	PLUG CURVED BUMPER D.8 BLACK/9005	3410799489002
35	REMOVABLE LOWER FRONT.PANEL MULTIDECK 10 430/SB	8530184
36	STARTER FS-11 220/4-65	1135003
37	CABLE SUPPLY 3X1,5X3000 EUROPEAN PLUG TYPE SHUKO	1121014
38	BALLAST 20W	1033014
39	REMOVABLE UPPER FRONT.PANEL MULTIDECK 10 430/SB	8530186
40	NIGHT BLIND L=898 H=1500 G430 WINNER/SLIM90-MULTIDECK10 ->	8937009

The manufacturer will reserve the right to make any modification without prior notice.

Updated on
12/04/2012

JOLLY SLX SB 10 T.NOTTE R507 (COD. E6142M0401)

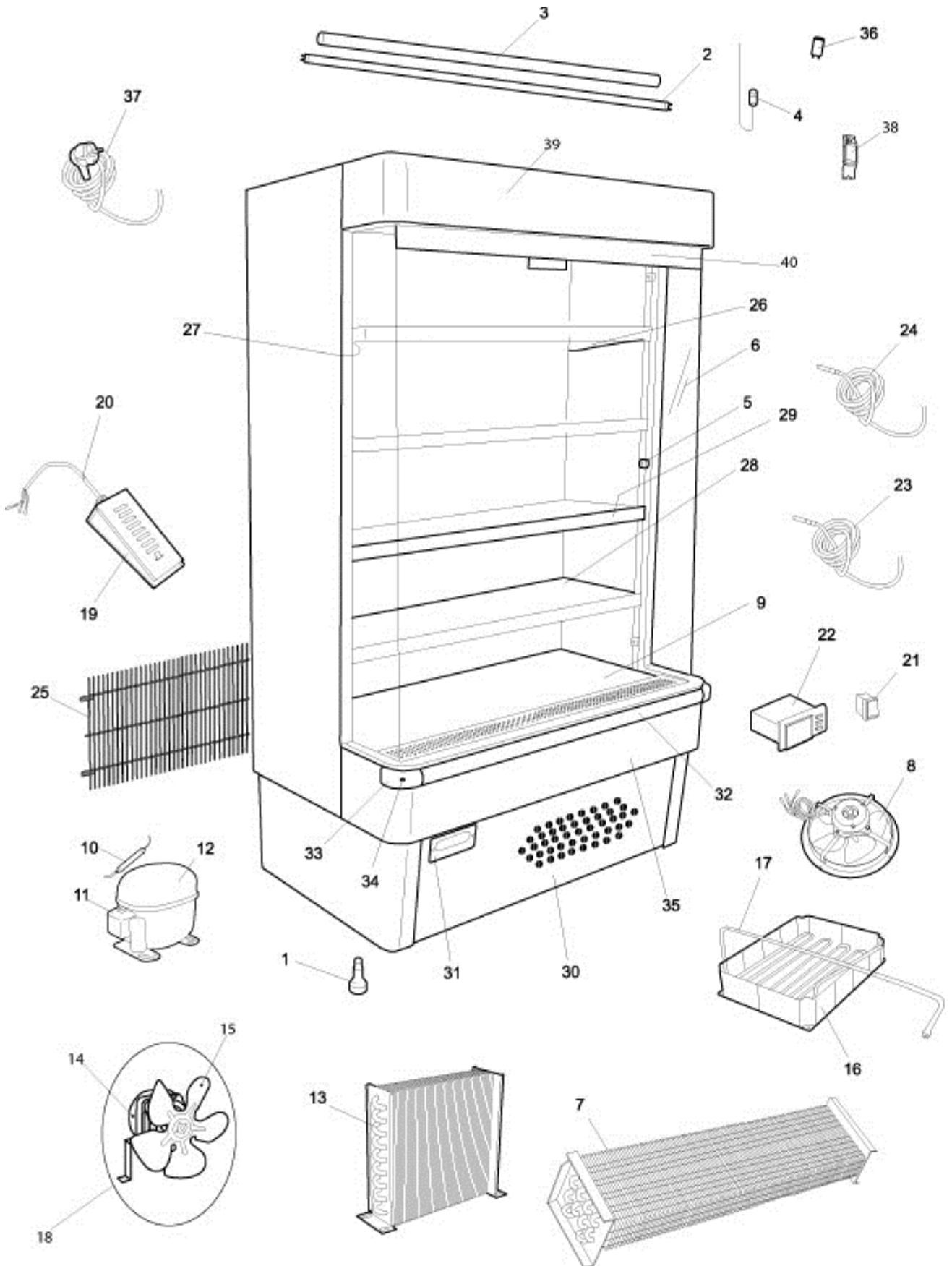
Leading brands for one international industrial project

MONDIAL GROUP

Your partner when it comes to refrigeration

Open wall display for sausages and dairy products

Spare parts drawing



Updated on
12/04/2012