

**SERVICE MANUAL
BEDIENUNGSANLEITUNG**

**G
E
E
S**

**SPR 80
SPR 120
SPR 165**

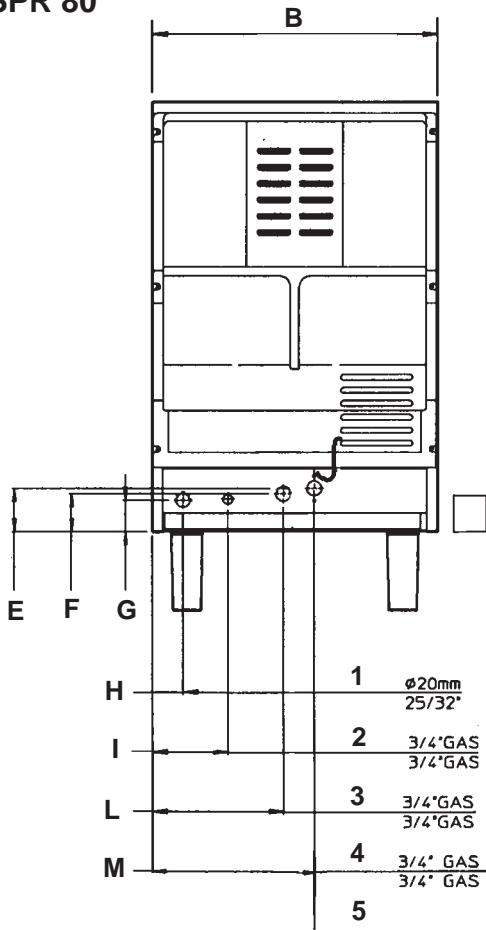
R 134 A / R 404 A

Electronic flakers

**Elektronische
Flockeneisbereiter**

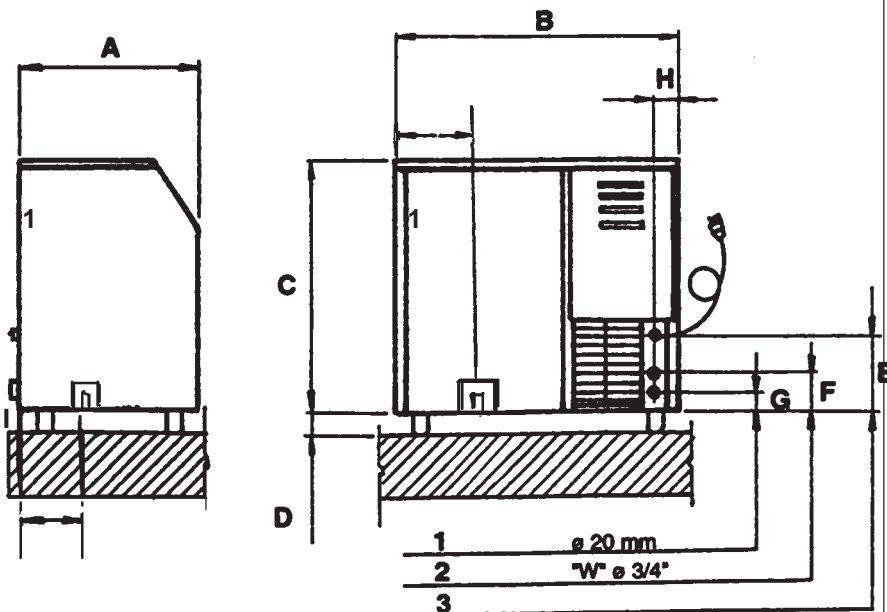
TABLE OF CONTENTS	PAGE	INHALTSVERZEICHNIS	SEITE
GENERAL INFORMATION AND INSTALLATION	1	ALLGEMEINES UND INSTALLATION	16
Introduction	1	Einführung	16
Unpacking and inspection	1	Anspacken und Inspektion	16
Location and levelling	1	Maschinenplatz und lotgerechte Austellung	16
Electrical connections	1	Elektrische Anschlüsse	16
Water supply and drain connections	2	Wasserversorgung und Abflußleitungen	17
Final check list	2	Schlußkontrollen	17
Installation practice	3	Installation	18
OPERATING INSTRUCTIONS	4	BEDIENUNGSANLEITUNG	19
Start-up	4	Inbetriebnahme	19
Operation checks upon the unit start-up	4	Ueberprüfung im Betrieb	19
PRINCIPLE OF OPERATION	6	FUNKTIONSPRINZIP	21
Water circuit	6	Wasserkreislauf	21
Refrigerant circuit	6	Kuehlmittelkreislauf	21
Mechanical System	7	Getriebeeinheit	22
Operating characteristics	8	Betriebseigenschaften	22
Components description	9	Komponentenbeschreibung	24
Service diagnosis	12	Funktionsfehler/Schadenanalyse	27
MAINTENANCE AND CLEANING INSTRUCTIONS	14	WARTUNG UND REINIGUNGSANLEITUNG	29
General	14	Voraussetzung	29
Icemaker	14	Reinigung des eisbereiters	29
Cleaning instructions of water system	14	Reinigen des wasserkreislaufes	30

SPR 80



- (1) WATER OUTLET BIN
WASSERABLAUF ZELLE
- (2) WATER INLET - WATER COOLED
WASSERZUFUHR - WASSERGEKÜHLTE
- (3) WATER OUTLET - WATER COOLED
WASSERABLAUF - WASSERGEKÜHLTE
- (4) WATER INLET
WASSERZUFUHR
- (5) CORD SET
KABEL

SPR 120 - SPR 165



	SPR 80	SPR 120	SPR 165
A	626	590	590
B	529	920	920
C	797	785	785
D	135	135	135
E	80	285	285
F	70	185	185
G	58	130	130
H	57	55	55
I	140	200	200
L	243	280	280
M	300		

TECHNICAL SPECIFICATIONS - TECHNISCHE ANGABEN

	SPR 80	SPR 80 W	SPR 120	SPR 120 W	SPR 165	SPR 165 W
Electric voltage Normale Netzspannung	230/50/1 -10 ÷ +6%		230/50/1 -10 ÷ +6%		230/50/1 -10 ÷ +6%	
Condensation Kühlung	Air Luft	Water Wasser	Air Luft	Water Wasser	Air Luft	Water Wasser
Bin Capacity (kg) Speiker Kapacitt (kg)	25		55		60	
Net weight (kg) Netto Gewicht (kg)	51	52	67	69	71	73
Compressor power HP Kompressorleistung PS	1/4		3/8		3/4	
Running amps Ampere	2,2		3,2		4	
Start amps Start Ampere	11		17		20	
Power (Watts) Leistung (Watt)	330		500		760	
Power cons. in 24 hrs (Kwh) Stromverbrauch in 24 std (Kwh)	7,5		11		17	
Wire size (mm ²) Kabelanzahl (mm ²)	3 x 1,5		3 x 1,5		3 x 1	
Water consumption (lt/hr) Wasserverbrauch (lt/std)	2,9	10*	5	20*	8,4	35*
Refrig. charge R 404 a (gr) Kühlmittel Füll. R 404 a (gr)	-	-	-	-	540	410
Refrig. charge R 134 a (gr) Kühlmittel Füll. R 134 a (gr)	310	310	440	380	-	-
Refrigerant metering device Kältemittel-Expansionssystem	Capillary tube Kapillarrohr		Capillary tube Kapillarrohr		Capillary tube Kapillarrohr	

* Water - Wasser: 15°C

OPERATING PRESSURES - BETRIEBSDRÜCKE

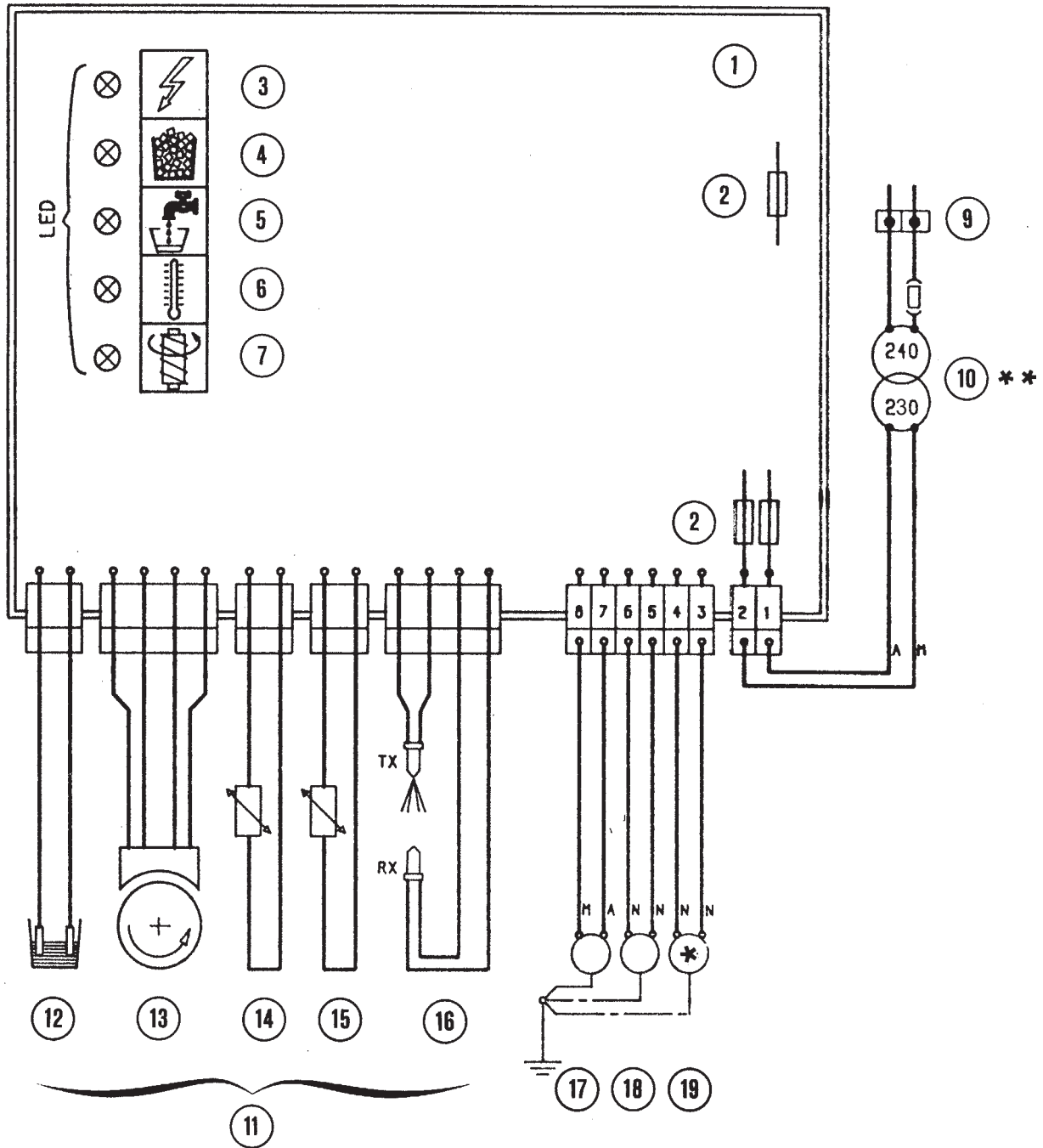
Discharge pressure - Hochdruckbereich			
	SPR 80	SPR 120	SPR 165
Air cooled (21°C) Luftgekühlt (21°C)	8,5 ÷ 10 bar	8 ÷ 10 bar	17 ÷ 18 bar
Water cooled Wassergekühlt	9,5 bar	9,5 bar	17 bar
Suction pressure - Niederdruck			
	0,5 bar	0,7 ÷ 0,9 bar	2,4 ÷ 2,5 bar

d

WIRING DIAGRAM - SCHALTBILD

Air and water cooled - Luft und Wasserkühlung

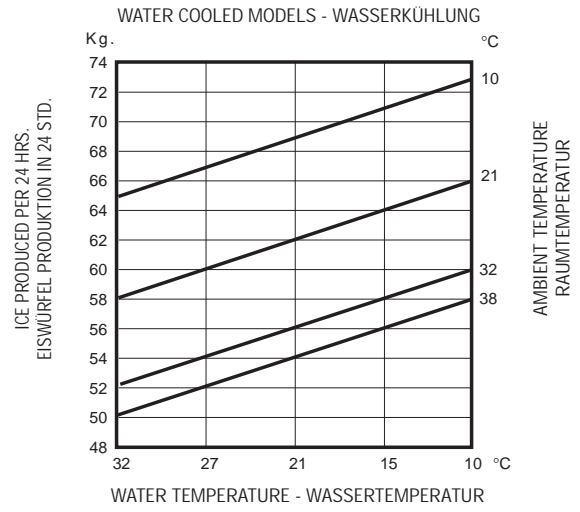
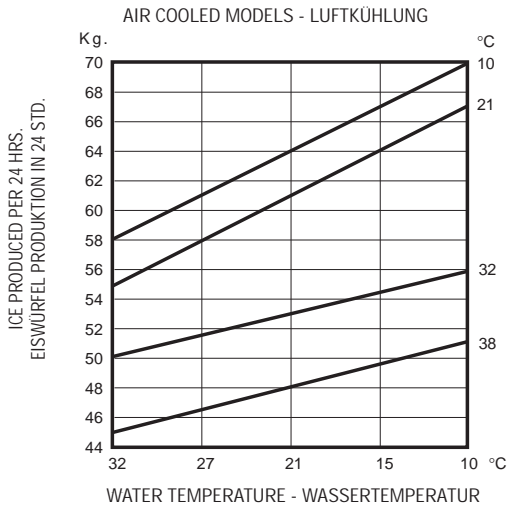
SPR 80 - SPR 120 - SPR 165
220-240/50/1



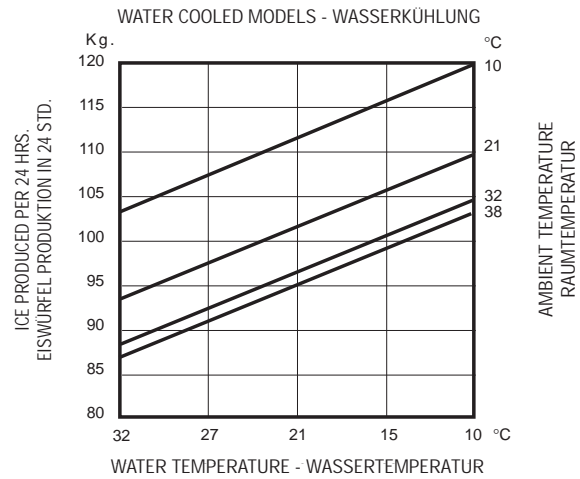
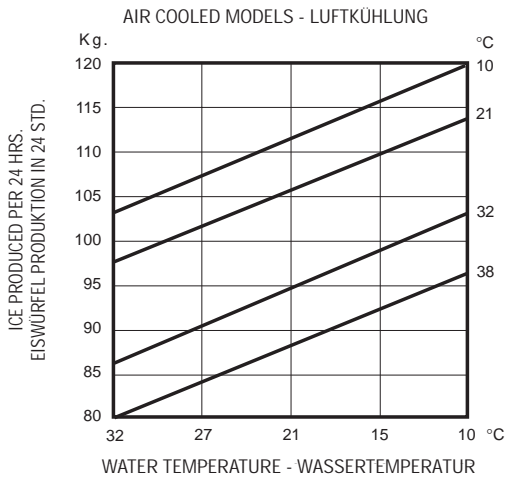
- | | | | |
|---|--|--|----------------------------------|
| (1) P.C. BOARD
ELEKTRONISCHE STEUERKARTE | (6) TOO HIGH COND. TEMP.
ZU HOHE KONDENSATIONSTEMP. | (12) WATER LEVEL
WASSERNIVEAU | (17) COMPRESSOR
KOMPRESSOR |
| (2) FUSE
SCHMELZSICHERUNG | (7) GEAR MOTOR WRONG ROTATION
FALSCHER DREHUNGSRICHTUNG GETRIEBEMOTOR | (13) WRONG DIRECTION
FALSCHER DREHUNGSRICHTUNG | (18) GEAR MOTOR
GETRIEBEMOTOR |
| (3) POWER ON
UNTER SPANNUNG | (9) TERMINAL BOARD
ANSCHLUSSKASTEN | (14) CONDENSER TEMPERATURE
KONDENSATOR-TEMPERATUR | (19) FAN MOTOR
LÜFTER MOTOR |
| (4) BIN FULL
SPEICHER VOLL | (10) AUTOTRANSFORMER
AUTOTRAFO | (15) EVAPORATOR TEMPERATURE
VERDAMPFER-TEMPERATUR | |
| (5) SHORTAGE OF WATER
WASSERMANGEL | (11) SENSORS
FÜHLER | (16) ICE LEVEL SENSOR
OPTISCHE EIS NIVEAU KONTROLLE | |

Ice making capacity - Eisproduktionskapazität

SPR 80



SPR 120



SPR 165

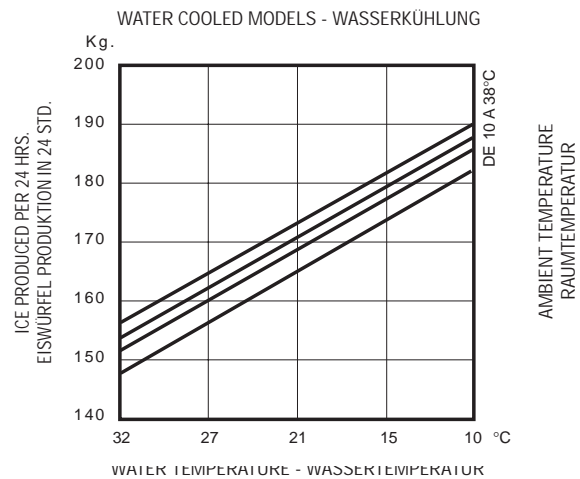
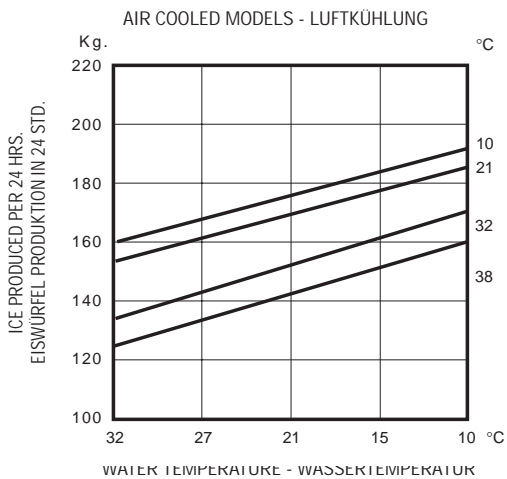


FIG. 1

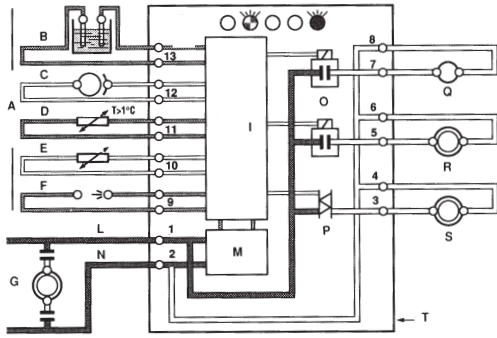


FIG. 2

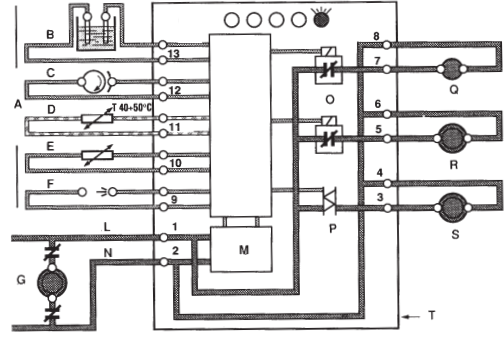


FIG. 3

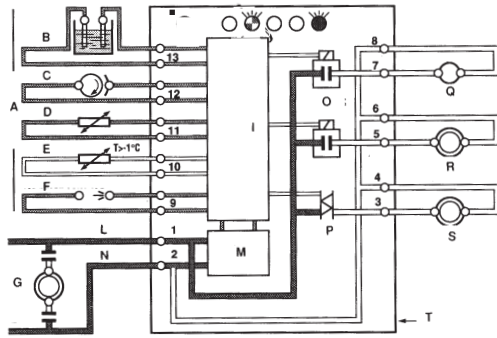


FIG. 4

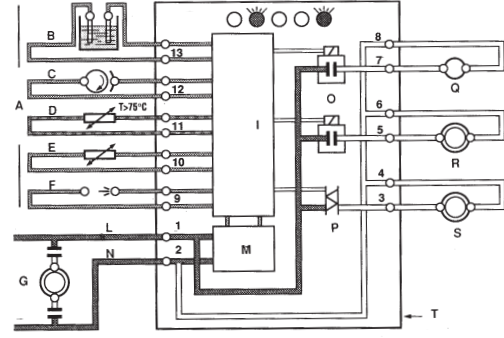


FIG. 5

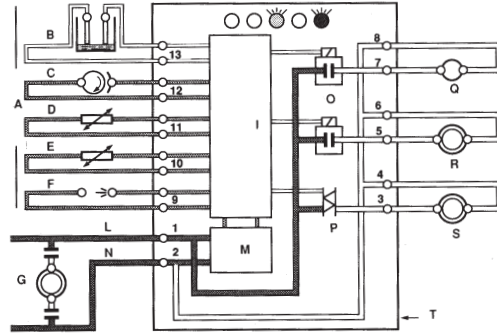


FIG. 6

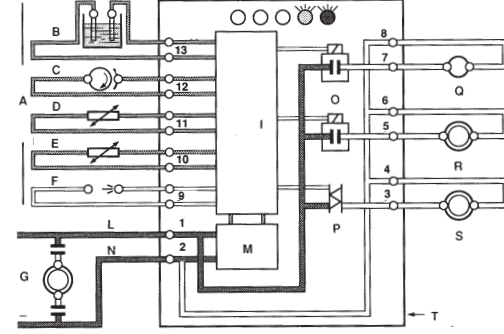


FIG. 7

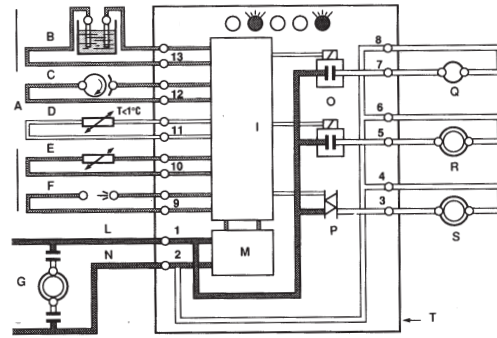
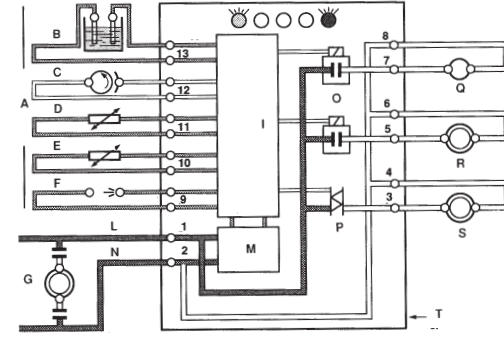


FIG. 8



- | | | | |
|--|--|---------------------------------------|---|
| (A) SENSORS
FÜHLER | (F) ICE LEVEL CONTROL
EIS NIVEAUKONTROLLE | (N) NEUTRE
NEUTRAL | (S) FAN MOTOR
LÜFTER |
| (B) MIN. WATER LEVEL
MIN. WASSERNWEAU | (G) COMPRESSOR
COMPRESSOR | (O) RELAY
RELAIS | (T) P.C. BOARD
ELEKTRONISCHE STEUERKARTE |
| (C) GEAR MOTOR ROTATION
GETRIEBEMOTOR-DREHUNG | (I) MICRO PROCESSOR
MIKROPROZESSOR | (P) TRIAC
TRIAC-POTENTIOMETER | |
| (D) COND. TEMPERATURE
KONDENSATOR-TEMPERATUR | (L) LINE
LINIE | (Q) CONTACTOR COIL
CONTACTOR SPULE | |
| (E) EVAP. TEMPERATURE
VERDAMPFER-TEMPERATUR | (M) TRANSFORMER
TRANSFORMATOR | (R) GEAR MOTOR
GETRIEBEMOTOR | |

GENERAL INFORMATION AND INSTALLATION

A. INTRODUCTION

This manual provides the specifications and the step-by-step procedures for the installation, start-up and operation, maintenance and cleaning for the **SIMAG SPR 80, SPR 120 and SPR 165** icemakers.

The Electronic Flakers are quality designed, engineered and manufactured.

Their ice making systems are thoroughly tested providing the utmost in flexibility to fit the needs of a particular user.

NOTE. *To retain the safety and performance built into this icemaker, it is important that installation and maintenance be conducted in the manner outlined in this manual.*

B. UNPACKING AND INSPECTION

1. Call your authorized SIMAG Distributor or Dealer for proper installation.

2. Visually inspect the exterior of the packing and skid. Any severe damage noted should be reported to the delivering carrier and a concealed damage claim form filled in subject to inspection of the contents with the carrier's representative present.

NOTE. *If there are doubts, on the delivery note register the following caption: ACCEPTED WITH RESERVATION.*

3. a) Cut and remove the plastic strip securing the carton box to the skid.

b) Remove the packing nails securing the carton box to the skid.

c) Cut open the top of the carton and remove the protection sheet.

d) Pull out the polystyrene posts from the corners and then remove the carton.

4. Remove the front panel of the unit and inspect for any concealed damage. Notify carrier of your claim for the concealed damage as stated in step 2 above.

5. Remove all internal support packing and masking tape.

6. Check that refrigerant lines do not rub against or touch other lines or surfaces, and that the fan blades move freely.

7. Check that the compressor fits snugly onto all its mounting pads.

8. See data plate on the rear side of the unit and check that local main voltage corresponds with the voltage specified on it.

CAUTION. **Incorrect voltage supplied to the icemaker will void your parts replacement program.**

9. Remove the manufacturer's registration card from the inside of the User Manual and fill-in all parts including: Model and Serial Number taken from the data plate.

Forward the completed self-addressed registration card to SIMAG factory.

C. LOCATION AND LEVELLING

WARNING. **This Modular Flaker and Superflaker is designed for indoor installation only. Extended periods of operation at temperature exceeding the following limitations will constitute misuse under the terms of the SIMAG Manufacturer's Limited Warranty resulting in LOSS of warranty coverage.**

1. Position the storage bin in the selected permanent location.

Criteria for selection of location include:

a) Minimum room temperature 10°C (50°F) and maximum room temperature 40°C (100°F).

b) Water inlet temperatures: minimum 5°C (40°F) and maximum 40°C (100°F).

c) Well ventilated location for air cooled models (clean the air cooled condenser at frequent intervals).

d) Service access: adequate space must be left for all service connections through the rear of the ice maker. A minimum clearance of 15 cm (6") must be left at the sides of the unit for routing cooling air drawn into and exhausted out of the compartment to maintain proper condensing operation of air cooled models.

2. Level the icemaker in both the left to right and front to rear directions by means of the adjustable legs.

D. ELECTRICAL CONNECTIONS

See data plate for current requirements to determine wire size to be used for electrical connections. All SIMAG icemakers require a solid earth wire.

All SIMAG ice machines are supplied from the factory completely pre-wired and require only electrical power connections to the wire cord provided at the rear of the unit.

Make sure that the ice machine is connected to its own circuit and individually fused (see data plate for fuse size).

The maximum allowable voltage variation should not exceed -10% and +10% of the data plate rating. Low voltage can cause faulty functioning and may be responsible for serious damage to the overload switch and motor windings.

NOTE. All external wiring should conform to national, state and local standards and regulations.

Check voltage on the line and the ice maker's data plate before connecting the unit.

E. WATER SUPPLY AND DRAIN CONNECTIONS

GENERAL

When choosing the water supply for the ice flaker consideration should be given to:

- a) Length of run
- b) Water clarity and purity
- c) Adequate water supply pressure

Since water is the most important single ingredient in producing ice you cannot emphasize too much the three items listed above.

Low water pressure, below 1 bar may cause malfunction of the ice maker unit.

Water containing excessive minerals will tend to produce scale build-up on the interior parts of the water system while too soft water (with too low contents of mineral salts), will produce a very hard flaker ice.

WARNING. The use of de-mineralized water (water with no salt content) having an electrical conductivity lower than 30 μ s, will cause the ability of the water sensors to vanish with the consequent CUT-OUT of the flaker operations.

WATER SUPPLY

Connect the 3/4" GAS male of the water inlet fitting, using the food grade flexible tubing supplied with the machine, to the cold water supply line with regular plumbing fitting and a shut-off valve installed in an accessible position between the water supply line and the unit.

If water contains a high level of impurities, it is advisable to consider the installation of an appropriate water filter or conditioner.

WATER SUPPLY - WATER COOLED MODELS

The water cooled versions of SIMAG Ice Makers require two separate inlet water supplies, one for the water making the flaker ice and the other for the water cooled condenser.

Connect the 3/4" GAS male fitting of the water inlet, using the flexible tubing supplied with the unit, to the cold water supply line with regular plumbing fitting and a shut-off valve installed in an accessible position between the water supply line and the unit.

WATER DRAIN

Connect the drain fitting with the plastic tube supplied to an open trapped and vented drain. When the drain is a long run, allow 3 cm pitch per meter (1/4" pitch per foot).

The ideal drain receptacle is a trapped and vented floor drain.

WATER DRAIN - WATER COOLED MODELS

Connect the 3/4" GAS male fitting of the condenserwater drain, utilizing the flexible tubing supplied, to the open trapped and vented drain. This additional drain line must not interconnect to any other of the units drains.

NOTE. The water supply and the water drain must be installed to conform with the local code. In some case a licensed plumber and/ or a plumbing permit is required.

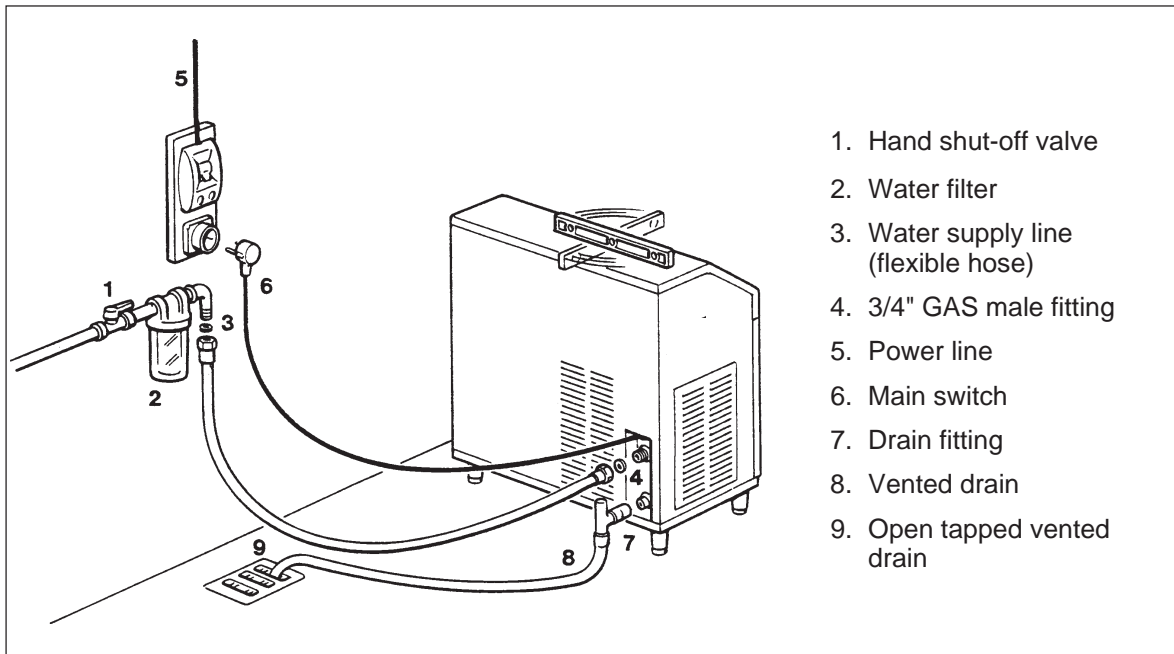
F. FINAL CHECK LIST

1. Is the unit in a room where ambient temperatures are within a minimum of 10°C (50°F) even in winter months?
2. Is there at least a 15 cm (6") clearance around the unit for proper air circulation?
3. Is the unit level? (IMPORTANT)
4. Have all the electrical and plumbing connections been made, and is the water supply shut-off valve open?
5. Has the voltage been tested and checked against the data plate rating?
6. Has the water supply pressure been checked to ensure a water pressure of at least 1 bar (14 psi).
7. Have the bolts holding the compressor down been checked to ensure that the compressor is snugly fitted onto the mounting pads?
8. Check all refrigerant lines and conduit lines to guard against vibrations and possible failure.
9. Have the bin liner and cabinet been wiped clean?
10. Has the owner/user been given the User Manual and been instructed on the importance of periodic maintenance checks?

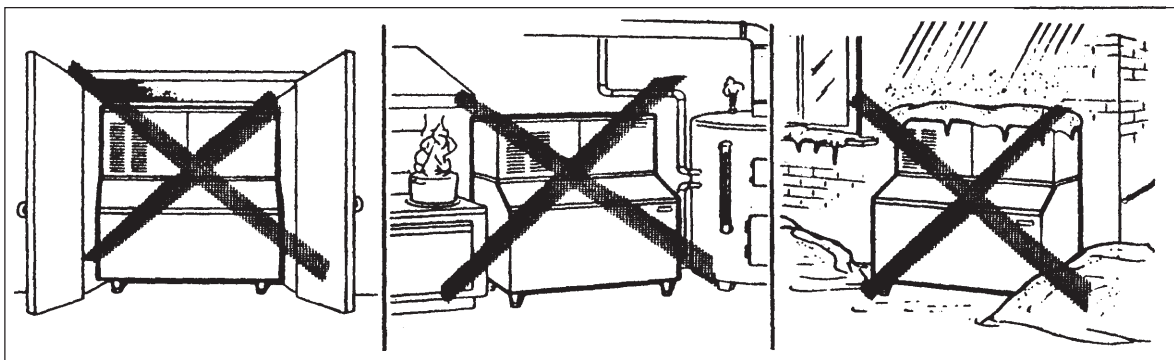
11. Has the Manufacturer's registration card been filled in properly? Check for correct model and serial number against the serial plate and mail the registration card to the factory.

12. Has the owner been given the name and the phone number of the authorized SIMAG Service Agency serving him?

G. INSTALLATION PRACTICE



WARNING. This icemaker is not designed for outdoor installation and will not function in ambient temperatures below 10°C (50°F) or above 40°C (100°F). This icemaker will malfunction with water temperatures below 5°C (40°F) or above 40°C (100°F).



OPERATING INSTRUCTIONS

START UP

After having correctly installed the ice maker and completed the plumbing and electrical connections, perform the following "Start-up" procedure.

- A. Open the water supply line shutoff valve and put the unit under electrical power by moving the main switch, on the power supply line, to the ON position. The **first LED - GREEN** - will glow to signal that unit is under power.

NOTE. Every time the unit is put under power, after being kept for sometime in shut-off conditions (electrically disconnected) the **RED LED** will blink for 3 minutes after which the unit will start up with the immediate operation of the gear motor assembly and, after few seconds, of the compressor assy (Fig. 1).

- B. Elapsed the 3 minutes - stand by period - the unit starts operating with the activation in sequence of the following assemblies:

GEAR MOTOR/S

COMPRESSOR

FAN MOTOR/S (if unit is an air cooled version) kept under control by the condenser temperature sensor which has its probe within the condenser fins (Fig.2).

- C. Elapsed 2 or 3 minutes from the compressor start up, observe that flaker ice begins dropping off the ice spout to fall through the ice chute into the storage bin.

NOTE. The first ice bits that drop into the ice storage bin are not so hard as the evaporating temperature has not yet reached the correct operating value. It is necessary to allow the ice - just made - to cure itself and wait for about ten minutes for the evaporating temperature to reach the correct value so to make more hard bits of ice.

NOTE. If, after ten minutes from the compressor start-up, the evaporating temperature has not dropped down to a value lower than **-1°C (30°F)** due to an insufficient quantity of refrigerant in the system, the evaporating temperature sensor detects such an abnormal situation and stops consequently the unit operation.
In this circumstance, the **5th warning YELLOW LED will blink (Fig.3).**



The machine will remain in OFF mode for one hour then it will restart automatically. In case the unit trips OFF again in alarm for 3 times in 3 hours, the machine **SHUTS OFF DEFINITELY.**
After having diagnosed and eliminated the cause of the poor evaporating temperature (insufficient refrigerant in the system or excessive condensing temperature) it is necessary to unplug and plug in again to restart the machine.
The unit, before resuming the total operation, will go through the **usual 3 minutes STAND-BY period.**

OPERATION CHECKS UPON THE UNIT START UP

- D. Remove front service panel and, if necessary, install the refrigerant service gauges on the corresponding Schröder valves to check both the HI and LO refrigerant pressures.

NOTE. On air cooled models, the condenser temperature sensor, which is located within the condenser fins, keeps the head (condensing) pressure between preset values.
In the event of condenser clogged - such to prevent the proper flow of the cooling air - or, in case the fan motor is out of operation, the condenser temperature rises and when it reaches **70°C (160°F)** for air cooled version - and **62°C (145°F)** - for water cooled version - the condenser temperature sensor shuts-off the ice maker with the consequent light-up of the **RED WARNING LIGHT (Fig.4).**



The machine will remain in OFF mode for one hour then it will restart automatically. In case the unit trips OFF again in alarm for 3 times in 3 hours, the machine **SHUTS OFF DEFINITELY.**
After having diagnosed the reason of the temperature rise and removed its cause, it is necessary to proceed as per the previous "NOTE" to start up again the operation of the ice maker.

E. Check for the correct CUT-OUT and CUT-IN of the **float reservoir water level sensors** by first shutting closed the water shutoff valve on the water supply line.

This will cause a gradual decrease of the water level in the float reservoir and as soon as the level gets below the sensors, the flaker stops to operate and the **YELLOW warning LED will glow** to signal the shortage of water (Fig.5).



NOTE. The water level sensor detects the presence of sufficient water in the float reservoir and confirms it to the micro processor by maintaining a low voltage current flow between the two sensors using the water as conductor.

WARNING. The use of de-mineralized water (water with no salt content) having an electrical conductivity lower than 30 μS , will cause the ability of the water sensors to vanish with the consequent **CUT-OUT** of the flaker operations and the **glowing** of the **YELLOW LED** of shortage of water, even though that the water is indeed in the reservoir.

After this open the water supply line shutoff valve to fill up again the float reservoir, the **YELLOW LED** goes off while the **RED LED** starts **blinking**. After 3 minutes the unit resumes its total operation with the immediate start-up of the gear motor and, few seconds later, of the compressor.

F. Check for the correct operation of the electronic eye (one per each ice chute on model SPN 1205) for the ice bin level control, by placing one hand between the sensing "eyes" located in the ice spout, to interrupt the light beam.

This interruption will cause an immediate blinking of the **bin full YELLOW LED** located on the front of the P.C. Board and after about 10 seconds causes the shutoff of the unit with the simultaneous lighting of the **YELLOW LED** signalling the **full bin situation** (Fig.6).



Allow the resumption of the light beam previously interrupted and after about 6 seconds the flaker will resume - through the 3 minutes **STAND-BY** period - the ice making process with the extinguishing of the **YELLOW LED**.

NOTE. The **ICE LEVEL CONTROL (INFRARED SYSTEM)** is independent of the temperature however, the reliability of its detection can be affected by external light radiations or by any sort of dirt and scale sediment which may deposit directly on the light source and on the receiver.

To prevent any possible ice maker malfunction, due to negative affection of the light detector, it is advisable to locate the unit where it is not reached by any direct light beam or light radiation, also it is recommended to keep the bin door constantly closed and to follow the instructions for the periodical cleaning of the light sensor elements as detailed in the **MAINTENANCE AND CLEANING PROCEDURES**.

G. If previously installed, remove the refrigerant service gauges and re-fit the unit service panels previously removed.

H. Instruct the owner/user on the general operation of the ice machine and about the cleaning and care it requires.

PRINCIPLE OF OPERATION

WATER CIRCUIT

The water enters in the machine through the water inlet fitting which incorporates a strainer and it is located at the rear side of the cabinet and then it goes to the water reservoir flowing through a float valve.

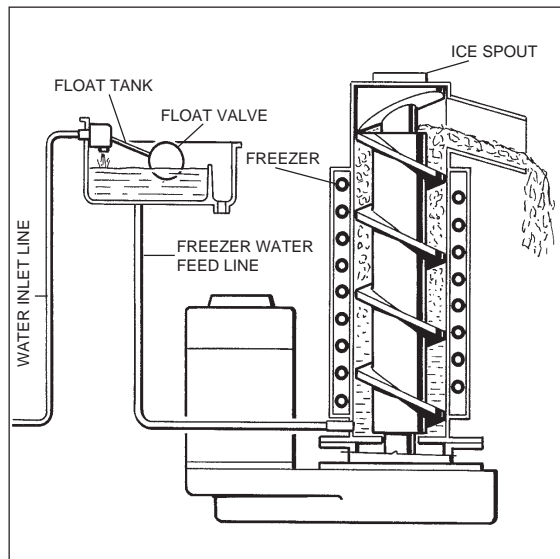
NOTE. The presence of the water in the float reservoir is detected by a system of two sensors which operates in conjunction with the P.C. Board. The two sensors use the water as a conductor to maintain a low voltage current flow between them signalling in this way to the P.C. Board the presence of the water in the reservoir. In case the water used is very soft (de-mineralized) or the float reservoir gets empty the current flow between the sensors becomes so weak or is no longer maintained that, as consequence, the P.C. Board shuts off the flaker operation with the simultaneous glowing of the **YELLOW LED** signalling "Shortage of water".

The float reservoir is positioned at the side of the freezing cylinder at such an height to be able to maintain a constant water level around the freezer auger.

In fact, the water flows from the reservoir into the bottom inlet of the freezing cylinder to surround the stainless steel auger which is vertically fitted in the center of the freezer.

In the freezer the incoming water gets chilled into soft (slush) ice which is moved upward by the rotating action of the auger.

The stainless steel auger that rotates counter-clockwise within the freezer, is powered by a direct drive gear motor and carries the ice upward along the refrigerated freezer inner walls and by doing so the ice gets progressively thicker and harder.



The ice, being constantly lifted up, meets the teeth of the ice breaker which is fitted on the top end of the auger, where it gets compacted, cracked and forced to change from vertical into horizontal motion to be discharged out, through the ice spout and chute, into the storage bin.

By running the ice maker, i.e. by putting the unit under power, starts the automatic and continuous icemaking process which would not stop until the ice storage bin gets filled-up to the level of the control "eyes" located on the sides of the ice chute.

As the ice level raises to interrupt the light beam running between the two infrared lamps, the unit stops after ten seconds, with the simultaneous glowing of the **YELLOW LED** signalling the "Full Bin" situation.

NOTE. The interruption of the light beam between the two light sensors is immediately signalled by the blinking of the **bin full YELLOW LED** located on the front of the P.C. Board.

After about **6" of steady interruption** of the light beam the unit stops and the "Full Bin" **YELLOW LED** glows.

The six seconds of delay prevent the unit from stopping for any undue reason like the momentarily interruption of the light beam caused by the flakes that slides along the ice spout before dropping into the bin.

As some ice gets scooped out from the storage bin, the light beam between the two sensors resumes; six seconds later the ice machine restarts the ice making process (going always through the 3' stand by) and the **YELLOW LED** goes off.

REFRIGERANT CIRCUIT

The hot gas refrigerant discharged out from the compressor reaches the condenser where, being cooled down, condenses into liquid.

Flowing into the liquid line it passes through the drier filter, then it goes all the way through the capillary tube where it loses some of its pressure so that its pressure and temperature are lowered. Next, the refrigerant enters into the evaporator coil wrapped around the freezer inner tube.

The water being constantly fed at the interior of the freezer inner tube, exchange heat with the refrigerant circulating into the evaporator coil, this causes the refrigerant to boil-off and evaporate, thereby it changes from liquid into vapor.

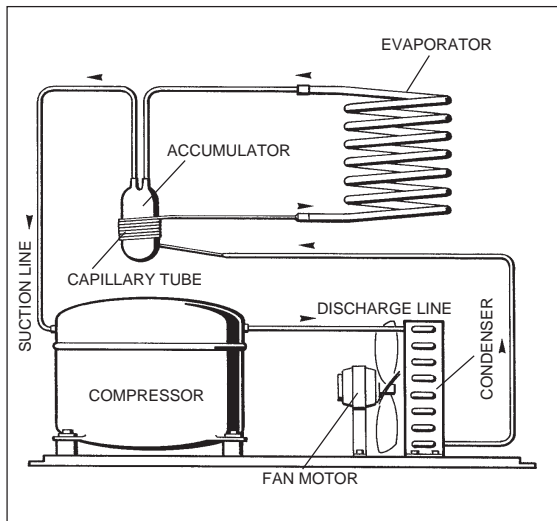
The vapor refrigerant then passes through the suction accumulator and through the suction line where the refrigerant exchanges heat with the one flowing into the capillary tube (warmer) before being sucked into the compressor to be recirculated.

The refrigerant head pressure is kept between two pre-set values **8,5÷10 bar (120÷140 psig)** SPR 80-SPR 120 and **17÷18 bar (240÷250 psig)** SPR 165 by the condenser temperature sensor which has its probe located within the condenser fins - in air cooled versions.

This condenser temperature sensor, when senses a rising of the condenser temperature beyond the pre-fixed limit, changes its electrical resistance and send a low voltage power flow to the MICRO-PROCESSOR of the P.C. Board which energizes, through a TRIAC, the Fan Motor in ON-OFF mode.

When the opposite situation occurs, i.e. the condenser temperature gets below the pre-fixed limit, the temperature sensor changes again its electrical resistance reducing therefore the current flow to the P.C. Board to cause a temporary stop of the Fan Motor.

On the water cooled versions, the refrigerant head pressure is kept at the constant value of **9,5 bar (130 psig)** SPR 80-SPR 120 and **17 bar (240 psig)** SPR 165 by the metered amount of water passing through the condenser which is regulated by the action of the Water Regulating



Valve that has its capillary tube connected to the liquid refrigerant line. As pressure increases, the water regulating valve opens to increase the flow of cooling water to the condenser.

NOTE. In case the condenser temperature probe senses that the condenser temperature has risen to 70°C on air cooled version - or 62°C on water cooled version - for one of the following abnormal reasons:

CLOGGED CONDENSER (Air cooled version)

INSUFFICIENT FLOW OF COOLING WATER (Water cooled version)

FAN MOTOR OUT OF OPERATION (Air cooled version)

AMBIENT TEMPERATURE HIGHER THEN 43°C (110°F)

it causes the total and immediate SHUT-OFF of the machine in order to prevent the unit from operating in abnormal and dangerous conditions.

When the ice maker stops on account of this protective device, there is a simultaneous glowing of the **RED LED**, warning the user of the **Hi Temperature** situation.

The machine will remain in OFF mode for one hour then it will restart automatically. In case the unit trips OFF again in alarm for 3 times in 3 hours, the machine SHUTS OFF DEFINITELY.

After having eliminated the source of the excessive condenser temperature, to restart the ice machine it is necessary to unplug and plug in again.

The **RED LED starts blinking** and three minutes later the flaker unit resume its normal operating mode. The condenser temperature sensor has a further safety function which consist in preventing the unit from operating in Lo-ambient conditions i.e. when the condenser temperature - equivalent to the ambient temperature - is **lower then 1°C - 34°F** (Fig.7).

As soon as the ambient temperature rises up to 5°C the P.C. Board restarts automatically the machine on the three minutes starting time.

The refrigerant suction or Lo-pressure sets - in normal ambient conditions - on the value of **0,5 bar (8 psig)** SPR 80; **0,7 ÷ 0,9 bar (10 ÷ 13 psig)** SPR 120 and **2,4 ÷ 2,5 bar (34 ÷ 36 psig)** SPR 165 after few minutes from the unit start-up. This **value can vary slightly** in relation to the water temperature variations influencing the freezer cylinder.

NOTE. If, after ten minutes from the unit start up, no ice is made and the evaporating temperature detected by the evaporator sensor results to be higher than -1°C (30°F) the ice maker stops and the **5th WARNING YELLOW LED** blinks.

The machine will remain in OFF mode for one hour then it will restart automatically. In case the unit trips OFF again in alarm for 3 times in 3 hours, the machine SHUTS OFF DEFINITELY.



MECHANICAL SYSTEM

The mechanical system of the SIMAG Flaker machines consists basically of a gear motor assembly which drives, through a ratched coupling, a worn shaft or auger placed on its vertical axis within the freezing cylinder. The gear motor is made of a single phase electric motor with a permanent capacitor. This motor is directly fitted in the gear case through which it drives - in counter clockwise rotation at a speed of 9.5 r.p.m. - the freezer auger being linked to it by the ratched coupling.

NOTE. In the event the gear motor will tend to rotate in the wrong direction (counter-clockwise) the unit will **stop immediately** with the glowing of the **WARNING YELLOW LED** on account of the intervention of the **Electromagnetic Safety Device** - based on Hall Effect principle.

The machine will remain in OFF mode for one hour then it will restart automatically. In case the unit trips OFF again in alarm for 3 times in 3 hours, the machine **SHUTS OFF DEFINITELY**.

After having diagnosed and eliminated the source of the gear motor wrong rotation, to restart the unit it is necessary to press the **RE-SET** push button or switch OFF and ON the power line main disconnect switch (Fig. 8).



The **RED LED** will start blinking and after 3 minutes the ice maker will resume its total operations by running first the gear motor and then the compressor.

Too low ambient and water temperature (well below the limitations of respectively 10°C and 5°C - 50°F and 40°F) or frequent interruptions of the water supply to the freezing cylinder (clogging of the water hose connecting the float reservoir to the water inlet at the bottom of the freezer) may cause the ice to get too hard and compact losing fluidity and thereby seizing the auger. This situation will put under excessive strain and load the entire drive system and freezer bearings. When the gear motor rotating speed is slowed **below 1300 r.p.m.** from the normal speed of 1400 r.p.m. the Electromagnetic Safety Device transmits an electrical signal to the MICROPROCESSOR to **stop immediately** the unit operations like it occurs for the wrong rotation, with the lighting-up of the **YELLOW**

WARNING LED. This to relieve from the excessive load all the electrical and mechanical components of the entire Drive System and extend their durability.

NOTE. After having diagnosed and eliminated the source of the gear motor slow rotation to restart the unit it is necessary to press, also in this case, the **RE-SET** push button or switch OFF and ON the power line main switch.

OPERATING CHARACTERISTICS

The electrical components in operation are:

COMPRESSOR

GEARMOTOR

FAN MOTOR (on air cooled versions)

On air cooled models during the freezing cycle the discharge pressure is kept between **8,5÷10 bar (120÷140 psig)** SPR 80-SPR 120 and **17÷18 bar (240÷250 psig)** SPR 165 by the condenser temperature sensor.

On water cooled models, the discharge pressure is constantly maintained by the water regulating valve at **9,5 bar (130 psig)** SPR 80-SPR 120 and **17 bar (240 psig)** SPR 165.

The refrigerant suction pressure remain virtually constant **0,5 bar (8 psig)** SPR 80; **0,7÷0,9 bar (10÷13 psig)** and **2,4÷2,5 bar (34÷36 psig)** SPR 165 during the entire ice making process; it may vary slightly in relation to the water supply temperature variation.

Even the amps drawn by the compressor remain at a constant value.

NOTE. Before charging the refrigerant system always check the type of refrigerant and quantity as specified on the individual ice machine dataplate.

The refrigerant charges indicated are relatives to averages operating conditions.

COMPONENTS DESCRIPTION

A. EVAPORATOR TEMPERATURE SENSOR

The evaporator sensor probe is inserted into its tube well, which is welded on the evaporator outlet line, it detects the temperature of the refrigerant on the way out from the evaporator and signals it by supplying a low voltage current flow to the P.C. Board Micro-Processor.

According to the current received, the micro-processor let the ice maker to continue its operations. In case the evaporating temperature, after 10 minutes from the unit start-up, does not go below -1°C (30°F) due to shortage of refrigerant in the system or due to the excessive condensing temperature, the evaporator sensor signal reaching the microprocessor is such to stop immediately the unit operation, with the **5th Warning YELLOW LED that blinks**.

NOTE. The machine will remain in OFF mode for one hour then it will restart automatically. In case the unit trips OFF again in alarm for 3 times in 3 hours, the machine SHUTS OFF DEFINITELY.

To restart the unit after the shutoff caused by the hi evaporating temperature, it is necessary to switch OFF and ON the power line main disconnect Switch.

B. WATER LEVEL SENSOR

This sensor consist of two small stainless steel rods vertically fitted on the inner face of the reservoir cover and electrically connected to the low voltage circuit of the P.C. Board. When the cover of the reservoir is positioned in its place the tips of both the rods dip into the reservoir water transmitting a low power current throu the same.

NOTE. In the event of **shortage of water** in the reservoir or, in case the water used is too soft (de-mineralized) to cause greater resistance to the current flow (conductivity lower than $30\ \mu\text{S}$) this sensor system causes the **shutoff of the machine**, to protect it from running with an interrupted or inadequate water supply. In this situation the **YELLOW LED** will glow to warn of the machine shutoff and the reason why.

C. CONDENSER TEMPERATURE SENSOR

The condenser temperature sensor probe, located within the condenser fins (air cooled version) or in contact with the tube coil (water cooled version) detects the condenser temperature variations and signals them by supplying current, at low voltage, to the P.C. BOARD.

In case the condenser temperature sensor detects a temperature at the condenser lower than $+1^{\circ}\text{C}$ (33°F) that signify that the ambient

temperature is at the same value, therefore it is too low for the correct unit operation, the sensor signals to the microprocessor to stop immediately or to do not start the unit operations up to the moment that the ambient temperature will rise to more acceptables terms (5°C). In the air cooled versions, in relation to the different current received, the micro processor of the P.C. BOARD supplies, through a TRIAC, the power at high voltage to the fan motor so that it can cool the condenser and reduce its temperature.

In the event the condenser temperature rises and reaches 62°C or 70°C (143°F or 160°F) according to the setting of DIP SWITCH number 8 the current arriving to the micro processor is such to cause an immediate and total stop of the machine operation.

NOTE. The machine will remain in OFF mode for one hour then it will restart automatically. In case the unit trips OFF again in alarm for 3 times in 3 hours, the machine SHUTS OFF DEFINITELY.

To restart the unit after the shutoff caused by the condenser temperature, it is necessary to push the RE-SET button or to switch OFF and ON the power line main disconnect Switch.

D. GEAR MOTOR ROTATION AND SPEED SENSOR

This safety device is housed on top of the Drive Motor and detects - based on Hall Effect principle - the rotating speed and rotating direction of the drive Motor.

Should the rotating speed drop below 1300 r.p.m. the magnitude measured by this device is such to signal to the microprocessor to stop the unit and light-up the YELLOW LED. About the same reaction occurs when the drive motor will tend to rotate in the wrong direction (counterclockwise) or when it doesn't rotate at all.

NOTE. The machine will remain in OFF mode for one hour then it will restart automatically. In case the unit trips OFF again in alarm for 3 times in 3 hours, the machine SHUTS OFF DEFINITELY.

To restart the unit after the shutoff caused by this safety device, it is necessary first to eliminate the cause that has generated the intervention of the device and then press the RE-SET push button or switch OFF and ON the power line main disconnect switch.

E. OPTICAL ICE LEVEL CONTROL

The electronic ice bin level control, located outside of the ice spout, has the function to stop the operation of the ice machine when the light beam between the light source and the sensor gets interrupted by the flake ice which accumulates in the chute.

When the light beam is interrupted the **Bin Full YELLOW LED** located in the front of the P.C. BOARD blinks; in case the light beam gets

interrupted for as long as 6 seconds, the ice machine stops with the glowing-up of the **2nd YELLOW LED** to monitor the full ice bin situation. The 6 seconds of delay prevents that any minimum interruption of the light beam due to the regular ice chuting through the ice chute may stop the operation of the unit.

As soon as the ice is scooped out (with the resumption of the light beam between the two infrared sensor of ice level control) the RED LED lights up and after 6 seconds the ice machine resume its operation with the simultaneous extinguishing the 2nd YELLOW LED.

F. P.C. BOARD (Data processor)

The **P.C. BOARD**, fitted in its plastic box located in the front of the unit, consists of two separated printed circuits one at high and the other at low voltage, protected by fuses. Also it consists of five aligned **LEDS** monitoring the operation of the machine of three jumpers (TEST used only in the factory, 60/70°C used to set up the PC Board at proper safety cut out condensing temperature and 3' to by pass the 3 minutes Stand By) and of input terminals for the leads of the sensor probes as well as input and output terminals for the leads of the ice maker electrical wires.

The P.C. BOARD is the brain of the system and it elaborates, through its micro processor, the signals received from the sensors in order to control the operation of the different electrical components of the ice maker (compressor, gear motor, etc.).

The five LEDs, placed in a row in the front of the P.C. BOARD, monitor the following situations:

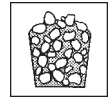
GREEN LED

Unit under electrical power



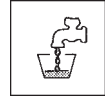
YELLOW LED

- Blinking: **I/R beam cut out**
- Steady: **unit shut-off at storage bin full**



YELLOW LED

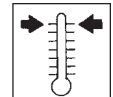
Unit shut-off due to a **too lo-water level** into float tank



RED LED

ON all the time

- Unit shut-off due to a **too hi-condensing temperature**
- Unit shut-off due to a **too lo-ambient temperature <+1°C**



Blinking

3 minutes start up delay time

YELLOW LED

ON all the time

- Unit shut-off due to the **wrong rotation direction** of gear motor
- Unit shut-off due to the **too lo speed of gear motor**

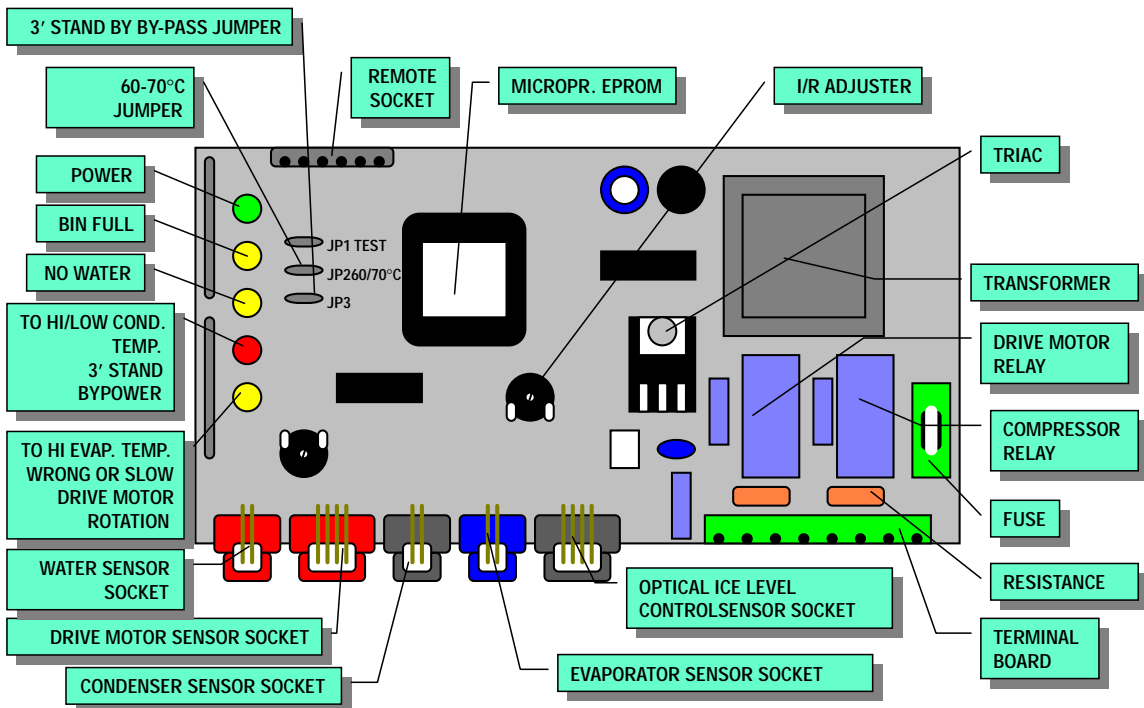
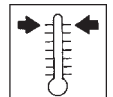


Blinking

- Unit shut-off due to a **too hi-evaporating temp. > -1°C** after 10 min of operation

YELLOW AND RED LED

- Blinking: **Evaporator sensor out of order**
- Steady: **Condenser sensor out of order**



G. JUMPERS

The Flaker PC Board is equipped by three jumpers:

J1 - TEST:

Used in the factory to energise all the electrical components during the Testing Mode

T2-Syend / T3 Pro EI Ind. 60/70°C:

Used to set up the Cut Out temperature of the condenser sensor:

- Jump OUT = 60°C
- Jump IN = 70°C

T2-Syend / J2 Pro EI Ind. 3':

Used to by pass the first 3 minutes Stand By jump in and switch OFF and ON the machine.

H. FLOAT RESERVOIR

The float reservoir consist of a plastic water pan on which is fitted a float valve with its setting screw. The float valve modulate the incoming water flow to maintain a constant water level in the reservoir, level that corresponds to the one in the freezing cylinder to ensure proper ice formation and fluidity.

On the inner side of the reservoir cover are fitted the two water level sensors which detects the presence or the shortage of water in the reservoir.

NOTE. *It is very important to make sure of the correct fitting of the cover on the reservoir in order to enable the sensor to efficiently control the water situation avoiding undue shutoff interventions.*

I. FREEZING CYLINDER or EVAPORATOR

The freezing cylinder is made of a stainless steel vertical tube on which exterior is wrapped around the cooling coil with the evaporating chamber and in its interior is located the auger which rotates on its vertical axis and it is maintained aligned by the top and bottom bearings. A water seal system is located in the bottom part of the freezer while at the top end is fitted the ice breaker.

The water constantly flowing into the cylinder bottom part, freezes into ice when in contact with the cylinder inner walls. The ice is then lifted up by the rotating auger and compacted and forced out by the ice breaker.

J. ICE BREAKER

The ice breaker is fitted in the freezer upper part it has, two breaker teeth to break the ice and with its slanted shape from the rear tooth to the front one it compacts and forces the ice out in an horizontal way.

By undergoing this, the ice looses its excess of water content so it drops into the bin in hard dry bits of ice.

In the ice breaker it is housed the top bearing which is made of two rolls bearings positioned to withstand the auger axial and radial loads. This bearing is lubricated with a food grade - water resistant grease (P/N 263612 00).

NOTE. *It is advisable to check the conditions of both the lubricant grease and the bearings every six months.*

K. DRIVE GEAR MOTOR

This motoreducer is made of a single phase electric motor with permanent capacitor directly fitted on a gear box.

The drive motor rotor is kept aligned on its vertical axis by two ball bearings permanently lubricated. The gear case contains a train of three spur gears the first one of which is in fiber to limit the noise level. All the three gears are encased in case bearings and are covered by lubricant grease (MOBILPLEX IP 44 P/N 001015 01).

Two seal rings, one fitted on the rotor shaft and the other on the output shaft keep the gear case sealed.

However the interior can be inspected and serviced by unbolting the two halves of the aluminium gear case housing.

L. FAN MOTOR (Air cooled version)

The fan motor is controlled through the P.C. BOARD and the TRIAC by the condenser temperature sensor. Normally it operates to draw cooling air through the condenser fins.

In cold ambient situation, the fan motor can run at intermittance as the condenser pressure must be kept between two corresponding head pressure values **8,5÷10 bar (120÷140 psig)** SPR 80-SPR 120 and **17÷18 bar (240÷250 psig)** SPR 165.

M. WATER REGULATING VALVE (Water cooled version)

This valve controls the head pressure in the refrigerant system by regulating the flow of water going to the condenser.

As pressure increases, the water regulating valve opens to increase the flow of cooling water.

N. COMPRESSOR

The hermetic compressor is the heart of the refrigerant system and it is used to circulate and retrieve the refrigerant throughout the entire system. It compresses the low pressure refrigerant vapor causing its temperature to rise and become high pressure hot vapor which is then released through the discharge valve.

SERVICE DIAGNOSIS

SYMPTON	POSSIBLE CAUSE	SUGGESTED CORRECTION
Unit will not run No LED lighted-up	Blown fuse in P.C.Board Master switch in OFF position Inoperative P.C.Board Loose electrical connections	Replace fuse & check for cause of blown fuse Turn switch to ON position Replace P.C.Board Check wiring
Bin full yellow LED glows No water yellow LED glows	Inoperative or dirty ice level control Shortage of water Water too soft Limestone sticked sensor	Replace or clean ice level control See remedies for shortage of water. Install a mineral salt metering device. Clean the sensor s.s. rods.
Red-alarm LED glows	High head pressure Ambient temperature too low	Dirty condenser. Clean INOPERATIVE fan motor. Replace. Move unit in warmer location.
Reverse rotation yellow LED blinks	Too hi evap. temperature Shortage or lack of refrigerant Inoperative evaporator sensor	Check and charge refrigerant system. Replace.
Reverse rotation yellow LED glows	Gear motor turns on reverse Too low gear motor rotating speed Drive motor doesn't turn Magnetic cylinder loose its magnetic charge	Check stator winding and capacitor. Check rotor bearings, freezer bearings and interior of freezer for scores. Replace whatever worn or damaged. Check for power, open circuit, etc. Replace magnetic cylinder.
Water yellow LED and red LED ON (steady) together	Inoperative Condenser Sensor	Replace it.
Water yellow LED and red LED blink together	Inoperative Evaporator Sensor	Replace it.
Compressor cycles intermittently	Low voltage Non-condensable gas in system Compressor starting device with loose wires	Check circuit for overloading Check voltage at the supply to the building. If low, contact the power company Purge the system Check for loose wires in starting device
Low ice production	Capillary tube partially restricted Moisture in the system Low water level in the freezer Shortage of refrigerant Pitted or stained auger surface	Blow charge, add new gas & drier, after evacuating system with vacuum pump Same as above Adjust to approx 20 mm below ice spout Check for leaks & recharge Clean or replace auger

SERVICE DIAGNOSIS

SYMPTOM	POSSIBLE CAUSE	SUGGESTED CORRECTION
Wet ice	<p>Ambient temperature too high</p> <p>Under or overcharge of refrigerant</p> <p>High water level in the freezer</p> <p>Faulty compressor</p> <p>Worn out of the auger</p>	<p>Move unit to cooler location</p> <p>Recharge with correct quantity</p> <p>Lower to approx. 20 mm below ice spout</p> <p>Replace</p> <p>Replace</p>
Machine runs but makes no ice	<p>Water not entering in the freezer</p> <p>Drive motor or gear stripped</p> <p>Moisture in the system</p>	<p>Air lock in feed line to freezer. Vent it.</p> <p>Clogged feed line to freezer. Clean it.</p> <p>Check repair or replace.</p> <p>Purge, replace drier and re-charge.</p>
Water leaks	<p>Water seal leaking</p> <p>Water feed line to freezer leaking</p> <p>Float valve not closing</p> <p>Rubber spout gasket leaking</p>	<p>Replace water seal.</p> <p>Check and fasten hose clamp.</p> <p>Check and adjust float valve setting screw.</p> <p>Remove spout and replace gasket.</p>
Excessive noise or chattering	<p>Mineral or scale deposit on auger and inner freezer walls</p> <p>Low suction pressure</p> <p>Water feed line to freezer clogged</p> <p>Low water level into freezer</p> <p>Worn freezer bearings</p>	<p>Remove and manually polish auger and inner walls of freezer barrel using emery paper</p> <p>Add refrigerant to rise suction pressure</p> <p>Vent and clean it</p> <p>Adjust to approx. 20 mm below ice spout</p> <p>Check and replace</p>
Gear motor noise	<p>Worn rotor bearings</p> <p>Shortage or poor lubricant in gear case</p> <p>Gear case bearings and racers worn out</p>	<p>Check and replace</p> <p>Check for proper lubr. opening gear case. Top of gears must be covered with lubr.</p> <p>Check and replace worn parts</p>
Shortage of water	<p>Strainer at water inlet fitting clogged</p> <p>Float reservoir water nozzle clogged-up</p>	<p>Remove strainer and clean</p> <p>Remove float valve and clean nozzle</p>

MAINTENANCE AND CLEANING INSTRUCTIONS

A. GENERAL

The periods and the procedures for maintenance and cleaning are given as guides and are not to be construed as absolute or invariable. Cleaning, especially, will vary depending upon local water and ambient conditions and the ice volume produced; and, each icemaker must be maintained individually, in accordance with its particular location requirements.

B. ICEMAKER

The following maintenance should be scheduled at least two times per year on these icemakers.

1. Check and clean the water line strainer.
2. Check that the icemaker is levelled in side to side and in front to rear directions.
3. Remove the cover from the float reservoir - care to do not damage the two water sensors - and depress the float to make sure that a full stream of water enters into the reservoir.
4. Check that the water level in the water reservoir is below the overflow but high enough that it does not run out of the spout opening.

NOTE. *The float must close positively the incoming water flow when its fulcrum, housing the setting screw, is perpendicular to the water nozzle.*

5. Clean the water system, water reservoir and the interior of freezing cylinder using a solution of Ice Machine Cleaner P/N 001009 01. Refer to procedure C cleaning instructions and after cleaning will indicate frequency and procedure to be followed in local areas.

NOTE. *Cleaning requirements vary according to the local water conditions and individual user operation.*

6. If required, polish the two sensor rods secured to the float reservoir cover, heavy scale sediment on them can be removed with the help of a bit of Cleaner plain.
7. With the ice machine and fan motor OFF on air cooled models, clean condenser using vacuum cleaner, whisk broom or non metallic brush taking care to do not damage the condenser/ambient temperature sensor.

8. Check for water leaks and tighten drain line connections. Pour water down bin drain line to be sure that drain line is open and clear.

9. Check the ice level control sensor to test shut-off. Put your hand between the light source and the receiver so to cut off the light beam for at least 6 seconds.

This should cause the immediate blinking of the Bin Full YELLOW LED located in the front face of P.C. Board and, 6 seconds later the total stopping of the ice maker with the simultaneous light up of the Full Bin Yellow LED (Steady).

Within few seconds from the removal of the hand from between the sensor lights the ice maker resume its operation.

NOTE. *The ice level control uses devices that sense light, therefore they must be kept clean enough so they can "see".*

Every 6 months clean/wipe the sensing "eyes" with a clean soft cloth.

10. Check for refrigerant leaks and for proper frost line, which should frost as far as approx. 20 cm (8") from the compressor.

When doubtful about refrigerant charge, install refrigerant gauges on corresponding Schröder valves and check for correct refrigerant pressures. (See Operating pressures at table on cover page).

11. Check that fan blades move freely and are not touching any surfaces.

12. Remove the retaining ring and the hook and cap from the top of the freezer assembly then inspect the top bearing, wipe clean of all grease and apply a coating of food grade water proof grease P/N 263612 00.

NOTE. *It is recommended to use only food grade and waterproof grease to lubricate the freezer top bearing.*

13. Check the quality of ice. Ice flakes should be wet when formed, but will cure rapidly to normal hardness in the bin.

NOTE. *It is not abnormal for some water to emerge from the ice spout with the flaker ice.*

C. CLEANING INSTRUCTIONS OF WATER SYSTEM

1. Switch OFF the Master disconnect switch on the power line.
2. Remove all ice stored in the bin to prevent it from getting contaminated with the cleaning solution.

3. Shut close the water shutoff valve on water line.
4. Remove the top panels to gain access to the water reservoir.
5. Remove the float reservoir cover and with a piece of copper wire shunt the two water level sensors.
6. Place a water pan under the freezer water inlet port, disconnect the water hose from this port and allow the water from the freezer to flow into the pan previously positioned. Then refit the water hose to the freezer water inlet port.
7. Prepare the cleaning solution by diluting in a plastic container two or three liters of warm water (45°-50°C) with a 0,2-0,3 liters of **SIMAG** Ice Machine Cleaner.

WARNING. The SIMAG Ice Machine Cleaner contains Phosphoric and Hydroxyacetic acids. These compounds are corrosive and may cause burns if swallowed, DO NOT induce vomiting. Give large amounts of water or milk. Call Physician immediately. In case of external contact flush with water. KEEP OUT OF THE REACH OF CHILDREN

8. Pour the cleaning solution into the water reservoir.
9. After 15 minutes switch ON the Master switch to start the unit.
10. Wait till the machine starts to discharge ice, then continue to slowly pour the cleaning solution into the water reservoir taking care to maintain the level just below the overflow.

NOTE. *The ice made with the cleaning solution is slushy and coloured also, it may tend to loose fluidity creating some resistance in being elevated and extruded; this situation can be heard by the noise made of the ice. Should this occur it is recommended to stop for few minutes the ice machine in order to allow the ice in the freezer to partially melt then restart again.*

11. When all the cleaning solution has been used up, open the water shutoff valve to allow new fresh water to flow into the reservoir. Let the unit to continue to run until the ice resumes the normal colour and hardness.

12. Stop the icemaker and pour warm water on the ice deposited into the storage bin to melt it up.

NOTE. *DO NOT use ice produced with the cleaning solution. Be sure none remains in the bin.*

13. Pour into the water reservoir 1 cc. (approx 20 drops) of Scotsman Sanitiser (Antialgae P/N 264000.02) then switch the unit ON.

14. Left the unit running for approx 10 minutes then remove the copper wire used to jump the two sensors for the water level and place back correctly the cover on the float reservoir.

NOTE. *DO NOT use ice produced with the sanitising solution.*

15. With a sponge moisted with a sanitising solution, wipe clean all the bin interior surfaces.

REMEMBER. *To prevent the accumulation of undesirable bacteria it is necessary to sanitize the interior of the storage bin with an anti-algae disinfectant solution every week.*

ALLGEMEINES UND INSTALLATION

A. EINFÜHRUNG

Diese Bedienungsanleitung beschreibt alle technischen Eigenschaften, sowie die Reihenfolge für die Installation, Inbetriebnahme und Betrieb, Wartung und Reinigung der SIMAG EISBEREITER der Serie SPR.

Die elektronischen SIMAG Eisbereiter sind für eine hohe Qualität geplant und produziert. Sie werden bei uns für mehrere Stunden getestet und können daher eine maximale Leistung für jede Verwendung und Situation garantieren.

ANMERKUNG. Um die Qualitäts- und Sicherheitseigenschaften des Gerätes nicht zu vermindern oder zu gefährden, bitten wir Sie, sich während der Installation und Wartung genau an die Anweisungen in diesem Handbuch zu halten.

B. AUSPACKEN UND INSPEKTION

1. Für eine korrekte Installation rufen Sie bitte den SIMAG Kundendienst an.

2. Führen Sie eine Sichtkontrolle der Kartonverpackung und der Holzbasis, welche für den Versand benutzt wurden, durch. Jeder Schaden an der Verpackung muß an den Transporteur weitergeleitet werden; in diesem Fall setzt man die Kontrolle im Beisein des Vertreters des Transporteurs fort.

ANMERKUNG. Im Zweifelsfall schreibt man auf die Transportpapiere:

MIT VORBEHALT ANGENOMMEN

3. a) Entfernen Sie das Plastikband, das die Verpackung schließt

b) Entfernen Sie die Metallklammern, die die Kartonverpackung mit der Holzbasis verbinden

c) Öffnen Sie den oberen Teil der Verpackung und entfernen Sie die Styroporblätter und die Schutzwinkel

d) Heben Sie den ganzen Karton an und ziehen Sie ihn vom Gerät ab

4. Nehmen Sie jetzt den vorderen und hinteren Schutz vom Gerät ab und untersuchen Sie das Gerät auf eventuelle Schäden.

Teilen Sie dem Transporteur sofort eventuelle Schäden mit und gehen Sie wie bei Punkt 2 vor.

5. Nehmen Sie alle internen Stützen für den Transport und die Klebebänder ab

6. Kontrollieren Sie, daß die Leitungen des Kühlkreislaufes nicht mit anderen Leitungen oder Oberflächen in Berührung kommen und daß der Ventilator sich frei drehen kann.

7. Kontrollieren Sie, daß der Kompressor auf seinen Dämpfstützen frei schwingen kann.

8. Mit einem sauberen feuchten Tuch säubert man die Innenwände des Eisbehälters und die äußeren Oberflächen des Gerätes.

9. Kontrollieren Sie die Daten auf dem Schild an der Rückseite des Rahmens und kontrollieren Sie, ob die elektrische Versorgung mit der übereinstimmt, die auf demselben Schild angegeben ist.

ACHTUNG. Bei falscher elektrischer Versorgung erlischt automatisch Ihr Anrecht auf Garantie.

10. Die Garantiekarte im Innern des Handbuches ausfüllen und versenden, indem Sie sowohl das Modell, als auch die Seriennummer des Gerätes angeben, die Sie dem Schild auf dem Rahmen entnehmen können

C. POSITIONIERUNG UND AUSGLEICHUNG

ACHTUNG. Dieser Eisbereiter wurde dazu entwickelt, um in Innenräumen aufgestellt zu werden, in denen eine Raumtemperatur herrscht, die nie die nachstehenden Grenzen über- oder unterschreitet
Längere Funktionszeiträume bei Temperaturen außerhalb der oben stehenden Grenzwerte stellen nach den Garantiebedingungen eine falsche Nutzung dar, wodurch der Anspruch auf Garantie erlischt.

1. Stellen Sie den Behälter und den entsprechenden Eisbereiter am endgültigen Standpunkt auf.

Die Kriterien für die Wahl der Position sind:

a) Raumtemperatur mindestens 10°C und höchstens 40°C

b) Temperatur der Wasserversorgung: mindestens 5°C und höchstens 40°C

c) Gut belüfteter Ort, um eine gute Ventilation des Gerätes und damit eine gute Funktion des Kondensators zu garantieren. Den Kondensator im Gerät periodisch und regelmäßig reinigen.

d) Angemessener Platz für die Anschlüsse, die auf der Rückseite des Gerätes angeordnet sind. Man läßt mindestens 15 cm Raum um das Gerät, damit eine korrekte und wirksame Luftzirkulation möglich ist; besonders bei Ausführungen, die mit Luft gekühlt werden.

2. Richten Sie das Gerät durch die Füße, von vorne nach hinten und von links nach rechts in beiden Richtungen aus.

D. ELEKTRISCHE ANSCHLÜSSE

Beachten Sie das Schild des Gerätes, um dann die angemessene Spannung und die Art und die

Sektion des elektrischen Kabels bestimmen zu können.

Alle Geräte SIMAG besitzen ein elektrisches Kabel für die Stromversorgung, das an ein Stromnetz mit einem Erdungskabel angeschlossen werden muß, welches mit einem eigenen Schalter oder Thermo-magnetschalter oder entsprechender Sicherung versehen ist, wie aus vom Schild jedes einzelnen Gerätes abzulesen ist.

Die maximale Spannungsdifferenz darf maximal 10% des auf dem Schild angegebenen Wertes über- oder unterschreiten. Ein zu niedriger Spannungswert kann abnormale Funktionen und schwere Schäden der Schutzvorrichtungen und elektrischen Spulen hervorrufen.

ANMERKUNG. *Alle externen Anschlüsse müssen nach allen Regeln der Kunst und nach den örtlichen Gesetzen und Bestimmungen von qualifiziertem Personal ausgeführt werden.*

Bevor man den Eiswürfelbereiter an das Stromnetz anschließt, prüft man nochmals, daß der gemessene Spannungswert der Spannung entspricht, die auf dem Schild angegeben ist.

E. WASSERVERSORGUNG UND ABFLUSS

Voraussetzung

Bei der Wahl der hydraulischen Versorgung des Eisbereiters der Serie SPR muß folgendes beachtet werden:

- a) Länge der Leitungen
- b) Sauberkeit und Reinheit des Wassers
- c) Angemessener Wasserversorgungsdruck

Da das Wasser die einzige und wichtigste Zutat für die Eisbereitung ist, dürfen die oben stehenden Punkte keinesfalls vernachlässigt werden. Ein niedriger Wasserversorgungsdruck, unter 1 bar, kann Störungen der Funktion des Gerätes hervorrufen.

Der Einsatz von Wasser mit zu hohem Mineral-salzgehalt verursacht starke Verkrustungen der Bauteile des Wasserkreislaufes, während zu weiches Wasser, mit niedrigen Mineralsalzgehalt zu trockenes Eis verursacht.

ACHTUNG. *Die Benutzung von reinem Süßwasser (ohne oder fast ohne Mineralsalz), welches eine Leitfähigkeit von weniger als 30µS besitzt, erlaubt keinen Durchfluß von Strom mit niedriger Spannung zwischen den Sensoren für Wasserstand im Schwimmbecken und verursacht den Stillstand oder Funktionsstörungen des Gerätes.*

Chlorreiches oder Eisenhaltiges Wasser kann mit Aktivkohlefiltern teilweise verbessert werden.

Wasserversorgung

Den Gewindezapfen-Anschluß zu + Zoll für den Wassereingang an die Wasserversorgungsleitung mit dem mitgelieferten

Plastikschlauch Typ Lebensmittelungiftig anschließen.

Die Wasserversorgungsleitung muß mit einem Wasserhahn versehen sein, der sich in der Nähe des Gerätes befindet und gut zugänglich ist.

Wenn das benutzte Wasser sehr unrein ist, wird die Benutzung von angemessenen Filtern empfohlen.

Wasserversorgung – Wassergekühlte Versionen

Die Wassergekühlten Versionen benötigen zwei getrennte Wasserzuleitungen; eine für den Schwimmbehälter und eine, die durch das mechanische Regulierungsventil zum Kühlkondensator verläuft.

Man benutzt auch für den Wasseranschluß des Kondensators den flexiblen Schlauch aus verstärktem Plastik, welcher mit dem Gerät geliefert wird und der an ein getrenntes Sperrventil angeschlossen wird.

Wasserabfluß

Es wird ein Plastikschlauch, der mit dem Gerät geliefert wird, mit einem Gefälle von mindestens 3cm pro Meter als Abflußleitung benutzt.

Der Wasserabfluß erfolgt durch Schwerkraft. Um einen ausgeglichenen Abfluß zu garantieren, ist es notwendig, daß die Abflußleitung in einen offenen Siphon abgeht.

Wasserabfluß – Wassergekühlte Versionen

Die wassergekühlten Modelle benötigen eine getrennte Abflußleitung von + Zoll, die an „Abfluß – nur wassergekühlt“ angeschlossen werden muß.

ANMERKUNG. *Alle Wasseranschlüsse müssen nach allen Regeln der Kunst ausgeführt werden. In einigen Fällen muß ein Installateur gerufen werden.*

F. ENDKONTROLLE

1. Wurde das Gerät in einem Raum aufgestellt, in dem die Mindesttemperatur von 10°C auch in den Wintermonaten nicht unterschritten wird?

2. Befinden sich mindestens 15 cm Freiraum hinter dem Gerät und an den Seiten, damit eine gute Ventilation des Kondensators gewährleistet ist?

3. Ist das Gerät gut ausgeglichen? (SEHR WICHTIG)

4. Wurde das Gerät an das Stromnetz angeschlossen? Wurde der Anschluß an die Wasserleitungen und die Abflußleitungen ausgeführt? Wurde das Ventil auf der Wasserversorgungsleitung geöffnet?

5. Wurden die Spannungswerte der Stromversorgung geprüft? Entspricht die Spannung den Angaben auf dem Schild des Gerätes?

6. Wurde der Wasserdruck kontrolliert, damit dem Gerät ein Eingangsdruck von mindestens 1 bar zur Verfügung steht? Den Wasserhahn öffnen und auf Wasserverlust an den Verbindungsstellen prüfen.

7. Alle Leitungen des Kühlkreislaufes und des Wasserkreislaufes müssen auf Vibrationen oder Reibung kontrolliert werden. Ebenfalls muß kontrolliert werden, daß die Schlauchschellen gut angezogen und die elektrischen Kabel fest angeschlossen sind.

8. Wurden die Muttern, die den Kompressor verankern, kontrolliert? Erlauben diese eine Schwingung auf den eigenen Halterungen?

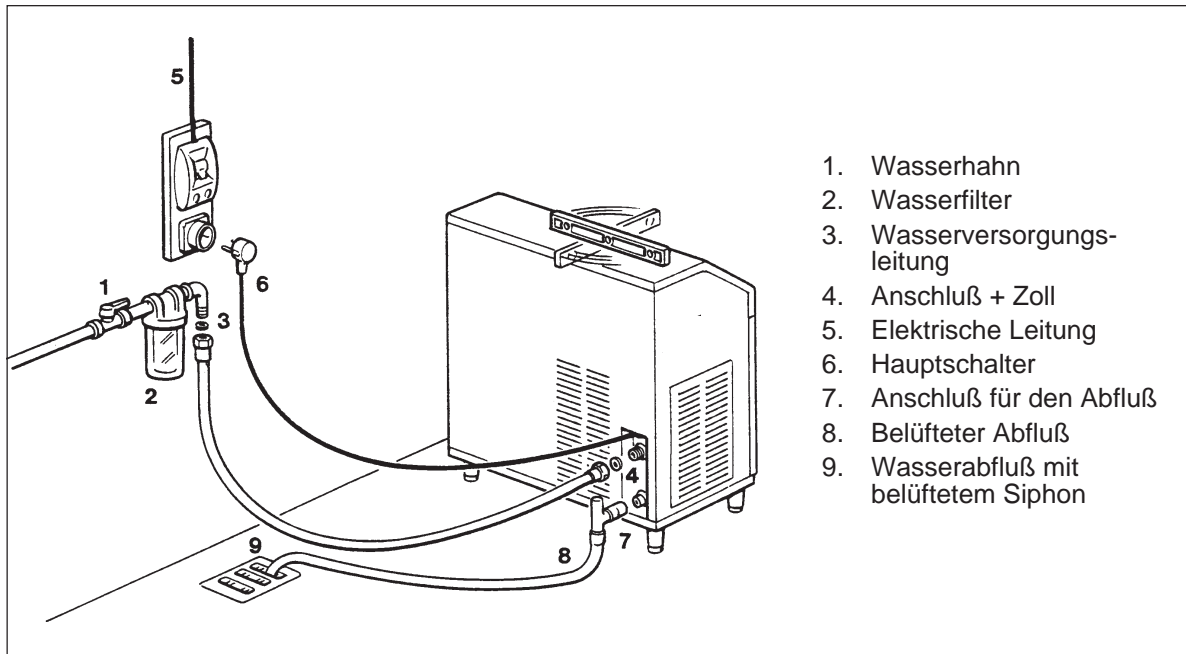
9. Wurden die Innenwände des Eisbehälters und die Außenwände des Gerätes gesäubert?

10. Wurde das Handbuch mit den Anweisungen abgeliefert und wurden dem Besitzer die notwendigen Instruktionen für die Funktion und die periodische Wartung des Gerätes gegeben?

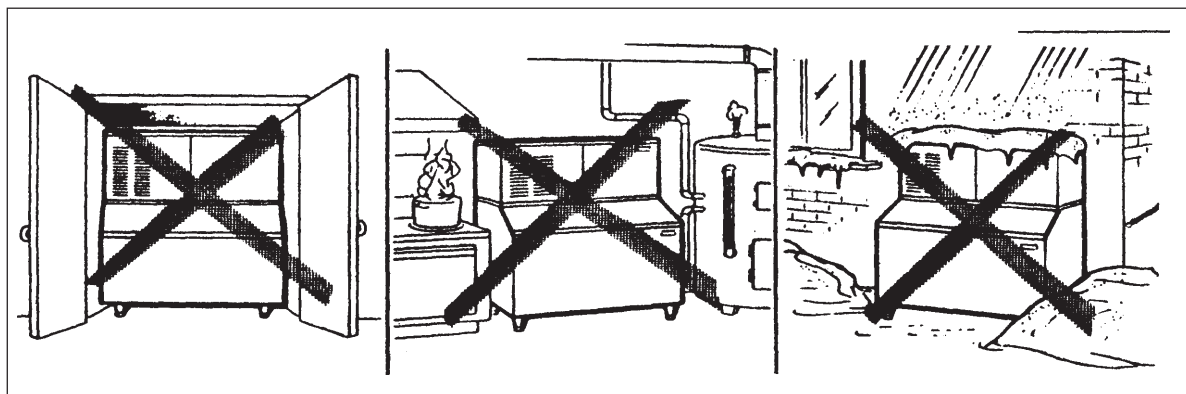
11. Wurde die Garantiekarte ausgefüllt? Seriennummer und das Modell auf dem Schild des Gerätes kontrollieren und dann an den Hersteller senden.

12. Wurden dem Besitzer der Name und die Telefonnummer des Kundendienstes seines Bereiches übergeben?

G. INSTALLATIONSSCHEMA



ACHTUNG. Dieser Eisbereiter wurde nicht für die Installation im Freien oder für den Betrieb bei Raumtemperaturen unter 10°C oder über 40°C entwickelt. Dasselbe gilt für die Wassertemperatur, die nicht unter 5°C oder über 40°C liegen darf.



BEDIENUNGSANLEITUNG

INBETRIEBNAHME

Wenn das Gerät richtig installiert und an das Strom- und Wassernetz angeschlossen ist, folgendermaßen vorgehen:

A. Den Wasserhahn öffnen und das Gerät am Hauptschalter, der an der elektrischen Versorgungsleitung angebracht ist, einschalten. Das **erste grüne LED** leuchtet, und zeigt dadurch die Spannungsversorgung des Gerätes an.

ANMERKUNG. Jedes Mal, wenn man das Gerät unter Spannung setzt, nachdem es einige Zeit nicht benutzt wurde (kein elektrischer Anschluß), blinkt das rote LED für etwa 3 Minuten; nachdem diese Zeitspanne abgelaufen ist, beginnt das Gerät zuerst mit dem Getriebemotor, und nach 2 Sekunden, mit dem Kompressor zu arbeiten (Fig. 1)

B. Nachdem die Wartezeit abgelaufen ist (3 Minuten), beginnt das Gerät automatisch zu arbeiten und aktiviert nacheinander folgende Komponenten:

GETRIEBEMOTOR/I

KOMPRESSOR

VENTILATORMOTOR/I (bei Luftgekühlten Geräten), der vom Temperaturfühler des Kondensators zwischen den Flügeln desselben gesteuert wird. (Fig. 2)

C. 2/3 Minuten, nachdem der Kompressor gestartet hat, beginnt das Gerät die ersten Eiskrümel in den Eisbehälter zu laden.

ANMERKUNG. Die ersten Eiskrümel haben wenig Konsistenz, da die Temperatur für die Verdampfung noch das richtige Niveau erreichen muß. Man muß etwa 10 Minuten warten, damit die Verdampfungstemperatur auf das richtige Niveau sinkt, um Eis mit der richtigen Konsistenz zu erhalten.

ANMERKUNG. Wenn nach 10 Minuten Betriebszeit des Gerätes die Temperatur des Verdampfers, die vom Temperaturfühler ermittelt wird, noch nicht unter -1°C gesunken ist (fehlendes oder wenig Kühlmittel im System usw.), stellt der Eisbereiter seine Funktion ein. In diesem Fall **blinkt das gelbe LED** (Fig. 3).

Das Gerät wird für 1 Stunde ausser Betrieb bleiben und dann wird es Automatisch Starten. Sollte sich das Gerät wieder für 3 Mal in 3 Stuten wegen Alarm ausser Betrieb setzen, wird sich die Maschine Endgültig Ausschalten.



Nachdem man die eventuell fehlende Verdampfungstemperatur, der wahrscheinlich auf fehlendes Kühlmittel oder zu hohe Kondensationstemperatur zurückzuführen ist, erkannt und den Fehler beseitigt hat, schaltet man das Gerät aus und ein. Nach etwa 3 Minuten, mit **blinkendem rotem LED**, beginnt das Gerät wieder zu arbeiten.

AUSZUFÜHRENDE KONTROLLEN NACH INBETRIEBNAHME

D. wenn notwendig, montiert man die Servicemanometer, nachdem man die vordere Tafel abgenommen hat, auf beide Schräder-Ventile – für Hoch- und Tiefdruck -, um den Druck des Kondensators und den Ansaugdruck zu messen.

ANMERKUNG. Bei Luftgekühlten Geräten wird der Kondensationsdruck vom Ventilator zwischen 8 und 9 bar bei den Versionen R 134 A (SP 125) und zwischen 17 und 18 bar bei den Versionen R 404 A (SP 255-405-605-SPN 1205) gehalten. Dieser arbeitet durch die Sonde/ den Sensor zwischen den Flügeln des Kondensators, intermittierend.

Wenn die Kondensierungstemperatur, auf Grund eines verstopften Kondensators und/ oder eines nicht arbeitenden Motorventils, bei der luftgekühlten Version, 70°C und bei der wassergekühlten Version 62°C erreicht, stellt die Temperatursonde sofort die Funktion des Gerätes ein. Gleichzeitig erleuchtet das **ROTE LED**. (Fig. 4)



Das Gerät wird für 1 Stunde ausser Betrieb bleiben und dann wird es automatisch starten. Sollte sich das Gerät wieder für 3 Mal in 3 Stunden wegen Alarm ausser Betrieb setzen, wird sich die Maschine endgültig ausschalten. Nachdem der Fehler behoben wurde, geht man wie an der vorhergehenden Anmerkung vor, um das Gerät wieder zu starten.

E. Die korrekte Arbeitsweise der Sonde für den **Mindest-Wasserstand** im Schwimmbehälter kontrollieren, indem man den Wasserhahn für die Wasserversorgung schließt.

Nach einigen Augenblicken, wenn das Wasser unter die Sensoren gesunken ist, stellt das Gerät seine Arbeit ein und gleichzeitig leuchtet das **GELBE LED** für Wassermangel. (Fig. 5).



ANMERKUNG. Die Sonde für die Wasserstandskontrolle ermittelt das Wasser im Behälter durch einen Stromfluß mit niedriger Spannung, der durch das Wasser im Schwimmbehälter fließt.

ACHTUNG. Die Benutzung von reinem Süßwasser (ohne oder fast ohne Mineralsalz), welches eine Leitfähigkeit von weniger als $30\mu\text{S}$ besitzt, erlaubt keinen Durchfluß von Strom mit niedriger Spannung zwischen den Sensoren für Wasserstand im Schwimmbecken und verursacht den Stillstand oder Funktionsstörungen des Gerätes. Das GELBE LED leuchtet auf, auch wenn Wasser vorhanden ist.

Nachdem man die Wasserversorgung wieder hergestellt hat, erlischt das **GELBE LED** und gleichzeitig **blinkt das ROTE LED**.

Nach 3 Minuten beginnt das Gerät wieder zu arbeiten, indem zuerst der Getriebemotor und nach 5" der Kompressor angeschaltet wird.

F. Die korrekte Funktion der optischen Kontrolle des Eisstandes im Behälter prüfen, indem man eine Hand zwischen die beiden Sensoren im Innern der Eisauswurföffnung hält.

Auf diese Weise werden die Infrarotstrahlen zwischen den beiden Sensoren unterbrochen und so wird die GELBE LED lampe blinken. Das Gerät stellt automatisch seine Arbeit ein und

nach etwa 10 Sekunden leuchtet das **GELBE LED** für **BEHÄLTER VOLL** (Fig. 6).



Die Maschine schaltet sich automatisch, 6" nachdem die Infrarotstrahlen zwischen den Sensoren wieder hergestellt sind, wieder ein und das GELBE LED erlischt.

ANMERKUNG. Die Funktion des optischen Kontrollsystems für den Eisstand ist von der Temperatur unabhängig, kann aber von externen Lichtquellen, als auch von eventuellen Kalkablagerungen, die sich an den optischen Sensoren ablagern (Infrarotsensoren), beeinflusst werden. Für eine korrekte Arbeitsweise des Gerätes ist es daher am Besten, wenn das Gerät nicht unter direktes Licht aufgestellt wird und wenn man genau die periodische Reinigung der Infrarotsensoren, wie im Kapitel Wartung beschrieben, durchführt.

G. Wenn montiert, nimmt man die Servicemanometer ab und montiert wieder die vordere Platte, die vorher abgenommen wurde.

H. Dem Besitzer die Funktion, die Reinigung und die Hygienisierung des Eisbereiters erklären.

FUNKTIONSPRINZIP

WASSERKREISLAUF

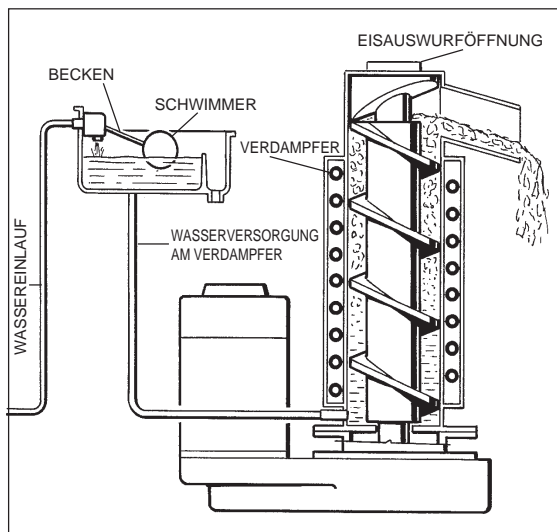
Das Versorgungswasser fließt durch den Versorgungsschlauch in das Gerät, wo sich ein kleiner Netzfilter befindet. Das Wasser gelangt durch ein Schwimmventil in den Wasserbehälter.

ANMERKUNG. Die Anwesenheit von Wasser im Behälter wird von einem System mit zwei Sensoren ermittelt, die eine niedrige Spannung durch die Mineralsalze, die im Wasser enthalten sind, an die Steuerkarte senden. Das Fehlen von Wasser oder zu reines Wasser, d.h. mit einer Leitfähigkeit von weniger als 30 μS (Demineralisiertes Wasser) verursacht die Unterbrechung des Stromflusses zur Steuerkarte und somit das Abschalten des Gerätes und das Aufleuchten des **GELBEN LED's** „Wasser fehlt“

Das Wassergefäß befindet sich neben dem Gefrierzylinder auf einer Höhe, die die Einhaltung des Wasserstandes pro Kommunikationszelle korrekt und konstant im Innern des Kühlers garantiert.

Das Wasser im Gefäß erreicht durch den Kühlschlauch das Kühlgerät und wird dort gefroren und in Eis verwandelt; Dieses wird von einer Endloßschraube oder Schnecke aus INOX Stahl, die sich im Kühler bewegt, in ständiger Bewegung gehalten.

Diese Schnecke, im Wasser im Zylinder, wird vom Getriebemotor im Gegenuhrzeigersinn gedreht und schiebt die Eisschicht, die sich an den Wänden bildet nach oben.



Während das Eis nach oben geschoben wird, wird es immer dicker und wenn es dann an den Eisbrecher stößt, wird es dort in kleine Krümel zerbröckelt; diese treten in den Ausgang ein von wo Sie in den Eissammelbehälter fallen.

Beim Anschalten des gerätes beginnt man mit der ständigen Eisproduktion; dieser fährt fort, bis der Eisbehälter bis zu den Infrarotsonden gefüllt ist, die sich am Abfluß des Eises befinden.

Das Eis unterbricht die Infrarotstrahlen zwischen den beiden optischen Sensoren und das Gerät stellt die Produktion ein und das **GELBE LED** für Behälter voll leuchtet auf.

ANMERKUNG. Die Unterbrechung des Lichtstrahles zwischen den beiden Sensoren wird vom blinken des GELBEN LED auf der Platine angezeigt.

Nach etwa 6", nachdem der Lichtstrahl unterbrochen wurde, stellt das Gerät die Produktion ein und das **GELBE LED** leuchtet. Die 6 Sekunden Verzögerung werden benötigt, um zu vermeiden, daß das Durchfallen von Eis durch den Abfluß, das für einen Moment die Lichtstrahlen unterbrechen kann, einen Stillstand des Gerätes hervorruft.

Sobald das Eis aus dem Behälter genommen wurde wird der Lichtstrahl zwischen den beiden Sonden wieder hergestellt.

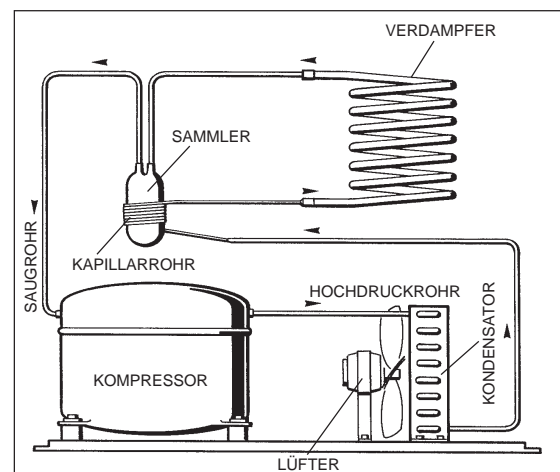
Nach etwa 6" schaltet sich das GELBE LED für Behälter voll aus und nach 3' stand by, beginnt das Gerät wieder zu arbeiten.

KÜHLKREISLAUF

Das gasförmige Kühlmittel wird vom Kompressor bei hoher Temperatur gepumpt und durch den Kondensator in flüssiges Kühlmittel verwandelt. Die Leitung der Flüssigkeit bringt das Kühlmittel vom Kondensator durch den Entfeuchterfilter zum Kapillarrohr. Während des Durchganges durch das Kapillarrohr verliert das Kühlmittel langsam seinen Druck und damit Teil seiner Temperatur. Danach erreicht es die Serpentine des Verdampfers oder des Kühlzylinders.

Das Wasser, das mit der gekühlten Wand des Verdampfers in Kontakt tritt, gibt dem Kühlmittel in der Serpentine Wärme ab und ruft damit dessen Verdampfung hervor, d.h. die Flüssigkeit verwandelt sich in Gaszustand.

Das gasförmige Kühlmittel, nachdem es durch den Akkumulator geflossen ist, wird wieder vom Kompressor durch die Ansaugleitung angesaugt. Der Förderdruck des Kühlsystems (Hochdruck) wird, bei luftgekühlten Modellen, durch den Temperatursensor zwischen den Flügeln des Kondensators, zwischen zwei festgelegten Werten gehalten (**8,5 und 10 bar SPR 80-SPR 120 und 17 und 18 bar SPR 165**). Bei wassergekühlten Modellen befindet sich der Temperatursensor in Kontakt mit der Leitung des Kühlmittels.



Sobald, bei luftgekühlten Geräten, ein bestimmter Temperaturwert überschritten wird, variiert der Sensor sein elektrisches Potential und sendet eine niedrige Spannung zum Mikroprozessor der Steuerkarte; diese arbeitet das Signal aus und versorgt den **MOTOR DES VENTILATORS** durch ein **TRIAC** am Ausgang der Steuerkarte. Bei wassergekühlten Modellen wird die Hochdruckkontrolle durch ein Druckwächterventil, das mit dem Kapillarrohr an der Kühleitung des Kühlkreislaufes verbunden ist, ausgeführt. Dieses reguliert automatisch des Wasserfluß zum Kondensator, um den Ansaugdruck des Kühlmittels konstant auf **9,5 bar für SPR 80-SPR 120 und 17 bar für SPR 165** zu halten.

ANMERKUNG. Wenn der Temperatursensor des Kondensators ermittelt, daß die Temperatur den Wert 70°C für luftgekühlte und 62°C für wassergekühlte Geräte, auf Grund folgender Fehler erreicht hat:

VERSCHMUTZTER KONDENSATOR
(Luftgekühlt)

ZU WENIG WASSER IM KONDENSATOR
(Wasser-gekühlt)

MOTORVENTILATOR VERBRANNT ODER BLOCKIERT (Luftgekühlt)

ZU HOHE UMGEBUNGSTEMPERATUR (ÜBER 43°C),

*ruft dies einen sofortigen Gerätestillstand hervor, damit die verlängerte Funktion in abnormalen Zuständen vermieden wird. Gleichzeitig leuchtet das **ROTE AlarmLED**. Das Gerät wird für 1 Stunde ausser Betrieb bleiben und dann wird es automatisch starten. Sollte sich das Gerät wieder für 3 Mal in 3 Stunden wegen Alarm ausser Betrieb setzen, wird sich die Maschine endgültig ausschalten. Um das Gerät wieder anzuschalten, nachdem man den Fehler ermittelt und repariert hat, soll man den Hauptschalter aus- und einschalten.*

*Nach etwa 3 Minuten Wartezeit, mit **blinkendem ROTEN LED**, beginnt das Gerät wieder zu arbeiten.*

*Derselbe Sensor des Kondensators hat auch eine zweite Sicherheitsfunktion, die das Starten des Gerätes verhindert, wenn die Umgebungstemperatur (vom Kondensator ermittelt) **unter 1°C** liegt (Fig. 7)*

*Sobald die Umgebungstemperatur 5°C übersteigt, läßt die Steuerkarte das Gerät nach 3 Minuten Wartezeit wieder anlaufen (**ROTES LED blinkt**).*

Der Ansaugdruck oder Tiefdruck stabilisiert sich nach einigen Minuten nach dem Anschalten des Eisbereiters, unter normalen Bedingungen, auf einem Wert von **0,5 bar für SPR 80; 0,7 ÷ 0,9 bar für SPR 120 und 2,4 ÷ 2,5 bar für SPR 165**. Dieser Wert könnte sich leicht nach oben oder unten verändern, je nach Wassertemperatur des Verdampfers.

ANMERKUNG. Wenn nach 10 Minuten nach dem Anschalten des Gerätes die am Ausgang des Verdampfers ermittelte Temperatur des Kühlmittels nicht unter -1°C sinkt, schaltet das Gerät aus und das **5° GELBE LED** blinkt. Das Gerät wird für 1 Stunde ausser Betrieb bleiben und dann wird es automatisch starten. Sollte sich das Gerät wieder für 3 Mal in 3 Stunden wegen Alarm ausser Betrieb setzen, wird sich die Maschine endgültig ausschalten.



GETRIEBESYSTEM

Das Getriebesystem der Eisflockenbereiter SIMAG besteht aus einem Getriebemotor, der durch ein Kupplungsgelenk eine Endlosschraube oder Schnecke im Innern des Verdampferzylinders bewegt. Der Getriebemotor, der aus einem Einphasen-motor mit Kondensator, der auf einem Reduzierungskasten mit Zahnrad und Triebad montiert ist, besteht, betreibt die Schnecke mit einer Geschwindigkeit von 9,5 Umdrehungen pro Minute.

ANMERKUNG. Die Umdrehung des Motors des Umsetzungsgetriebes wird von einem System, bestehend aus einem Magneten, der an der oberen Welle des Motors befestigt ist und ein Magnetisches Feld herstellt und einem Sensor, der die Veränderungen ermittelt und das elektrische Signal an die Steuerkarte weiterleitet, kontrolliert (Effekt Hall). Das Gerät wird für 1 Stunde ausser Betrieb bleiben und dann wird es automatisch starten.

Sollte sich das Gerät wieder für 3 Mal in 3 Stunden wegen Alarm ausser Betrieb setzen, wird sich die Maschine endgültig ausschalten. Wenn der Motor nicht anläuft, oder die falsche Drehrichtung vorliegt, hält die elektromagnetische Kontrolle sofort das Gerät an und gleichzeitig leuchtet das GELBE LED zur Warnung auf.

Nachdem der Grund des Fehlers ermittelt und beseitigt wurde, muß die Taste RESET auf der Steuerkarte gedrückt werden, oder man schaltet das Gerät am Hauptschalter aus und wieder an. (Fig. 8)



Nach 3 Minuten, bei blinkendem ROTEN LED, startet der Eisbereiter mit dem Getriebemotor und danach mit dem Kompressor.

Wenn der Getriebemotor auf Grund von Störungen von den normalen 1400 **unter 1300 Umdrehungen pro Minute** sinkt, bedeutet dies, daß der Versorgungsstrom von der elektromagnetischen Kontrolle der Steuerkarte ein **sofortiges Ausschalten des Gerätes** hervorruft (wir auch bei umgekehrter

Drehrichtung). Das **GELBE WARNLED** leuchtet. All dies, um eine zu schnelle Abnutzung der mechanischen und elektrischen Teile des Systems zu vermeiden.

ANMERKUNG. Nachdem man den Grund der fehlenden oder falschen Umdrehung gefunden und aufgehoben hat, muß die Taste **RESET** gedrückt werden, oder man schaltet das gerät am Hauptschalter aus und wieder ein.

BETRIEBSEIGENSCHAFTEN

Die arbeitenden Komponenten sind:

KOMPRESSOR

GETRIEBEMOTOR

VENTILATOR (bei luftgekühlten Versionen)

Bei den luftgekühlten Versionen wird der Ansaugdruck vom Temperatursensor des Kondensators, der den Ventilatormotor steuert,

zwischen zwei festgelegten Werten gehalten (8,5 und 10 bar für SPR 80-SPR 120 und 17 und 18 bar für SPR 165).

Bei den wassergekühlten Versionen wird der Ansaugdruck durch einen Druckwächter an der Wasserversorgung des Kondensators auf einem Wert von 9,5 bar für SPR 80-SPR 120 und 17 bar für SPR 165 gehalten.

Der Ansaugdruck (0,5 bar SPR 80; 0,7÷0,9 bar SPR 120 und 2,4-2,5 bar SPR 165) bleibt während des Betriebes des Eisbereiters konstant und variiert nur wenig im Zusammenhang mit der Temperatur der Wasserversorgung des Verdampfers.

Auch die elektrische Aufnahme des Kompressors bleibt während des Betriebes konstant.

ANMERKUNG. Bevor man das Kühlmittel in den Kreislauf eingibt, muß die Art des Kühlmittels und die Auffüllmenge mit dem Schild auf dem Gerät verglichen werden. Die Auffüllmenge bezieht sich auf die Durchschnittswerte bei normalem Betrieb.

BESCHREIBUNG DER BAUTEILE

A. TEMPERATURSENSOR DES VERDAMPFERS

Der Temperatursensor des Verdampfers befindet sich in seinem Sensorschlauch und ist an den Ausgang des Gefrierzylinders angeschweißt. Er ermittelt die Temperatur des angesaugten Kühlmittels und gibt das Signal (Strom mit niedriger Spannung) an den Mikroprozessor weiter.

Je nach Signal gibt der Mikroprozessor seine Freigabe für den Betrieb des Eisbereiters weiter (Verdampfer Temperatur unter **-1°C nach 10 Minuten** nach Anschalten). Wenn teilweise oder ganz Kühlmittel im Kreislauf fehlt, hält der Mikroprozessor das Gerät an und das **5° GELBE WARN-LED blinkt** (Verdampfer Temperatur über **-1°C** 10 Minuten nach Anschalten des Gerätes). Das Gerät wird für 1 Stunde ausser Betrieb bleiben und dann wird es automatisch starten. Sollte sich das Gerät wieder für 3 Mal in 3 Stunden wegen Alarm ausser Betrieb setzen, wird sich die Maschine endgültig ausschalten. Um das Gerät wieder in Betrieb zu setzen, soll man es aus und einschalten.

B. WASSERSTANDSSENSOR SCHWIMMBEHÄLTER

Der Wasserstandssensor für den Mindestwasserstand im Schwimmbehälter besteht aus zwei Sensoren aus INOX-Stahl, die vertikal mit dem Deckel verankert und mit dem Stromkreislauf niedriger Spannung der Steuerkarte verbunden sind.

Das untere Ende taucht im Wasser des Behälters ein und durch den Stromfluß, der durch die Mineralsalze gesendet wird, zeigen sie die Anwesenheit von Wasser im Behälter an die Steuerkarte an.

ANMERKUNG. Wassermangel, oder Wasser ohne Mineralsalz (Leitfähigkeit unter $30\mu\text{S}$), verursacht die Unterbrechung oder Verminderung der Weiterleitung des Stroms an die Steuerkarte. Der Eisbereiter wird gestoppt und das **GELBE LED** leuchtet.

C. TEMPERATURSENSOR KONDENSATOR

Der Temperatursensor des Kondensators (zwischen den Flügeln des Kondensators bei luftgekühlter Version oder in Kontakt mit der Serpentine desselben bei wassergekühlter Version), ermittelt die Kondensationstemperatur und sendet die Änderungen durch ein Signal an die Steuerkarte weiter.

Sollte die Temperatur der Sonde des Kondensators **unter +1°C** liegen (Umgebungstemperatur zu niedrig), stellt die Steuerkarte automatisch ihre Funktion ein und verweigert die Freigabe für den Start des Gerätes, bis die Temperatur der Sonde höher **als +5°C** liegt.

Bei luftgekühlten Versionen kontrolliert der Temperatursensor des Kondensators durch einen Mikroprozessor der Steuerkarte auch die Funktion des Ventilatormotors.

Durch ein TRIAC gibt die Steuerkarte die Freigabe zum Ventilatormotor, der dann die Temperatur der Sonde vermindert.

Sollte die Temperatur des Kondensators über **70°C** oder **62°C** liegen, stellt der Mikroprozessor sofort die Funktion des Gerätes ein.

ANMERKUNG. Das Gerät wird für 1 Stunde ausser Betrieb bleiben und dann wird es automatisch starten.

Sollte sich das Gerät wieder für 3 Mal in 3 Stunden wegen Alarm ausser Betrieb setzen, wird sich die Maschine endgültig ausschalten. Die Wiederherstellung der Funktion des Gerätes erfolgt nach Anhalten wegen hoher Temperatur der Kondensierung, oder Temperatur der Sonde des Kondensators über **+70°C** oder **+62°C**, indem man die Taste Reset drückt (nachdem die Gründe behoben wurden die das Anhalten hervorgerufen haben), oder durch aus- und anschalten des Hauptschalters.

D. SENSOR FÜR DIE DREHZAHL UND DREHRICHTUNG DES UMSETZUNGSGETRIEBES

Der Sensor für die Drehzahl und die Drehrichtung des Umsetzungsgetriebes, der sich im oberen Teil des Motors befindet, ermittelt durch ein magnetisches Signal (Effekt Hall) die Drehzahl und die Drehrichtung des Motors.

Wenn dieser unter 1300 Umdrehungen pro Minute sinkt, ruft das Signal zum Mikroprozessor der Steuerkarte die sofortige Einstellung der Tätigkeit des Gerätes hervor. Gleichzeitig leuchtet das GELBE ALARMLLED.

Das selbe passiert, wenn der Motor die falsche Drehrichtung aufweist (Gegenuhrzeigersinn); auf diese Weise wird vermieden, daß das Eis einen Körper mit der Schnecke bildet.

ANMERKUNG. Das Gerät wird für 1 Stunde ausser Betrieb bleiben und dann wird es automatisch starten.

Sollte sich das Gerät wieder für 3 Mal in 3 Stunden wegen Alarm ausser Betrieb setzen, wird sich die Maschine endgültig ausschalten. Die Wiederherstellung des Betriebes in beiden Fällen (Verlangsamung und falsche Drehrichtung) erfolgt, (nachdem die Fehler beseitigt wurden), indem man den Hauptschalter aus- und anschaltet.

E. OPTISCHER SENSOR FÜR DIE KONTROLLE DES EISSTANDES

Das optische Kontrollsystem des Eisstandes, das sich außerhalb des Eisauswurfes befindet, hält die Funktion des Gerätes an, wenn der Eisstand die Lichtstrahlen (Infrarot) zwischen den beiden Sensoren unterbricht.

Wenn die Lichtstrahlen unterbrochen werden blinkt das GELBE LED (speicheß voll), eine Unterbrechung von mehr als 6 Sekunden führt zum totalen Abschalten des Eisbereiters und gleichzeitig zeigt das **zweite GELBE LED** den Grund dafür an.

Die 6 Sekunden Verzögerung für das Anhalten des Gerätes werden benötigt, damit der Eiosbereiter nicht wegen jeder zufälligen Unterbrechung des Lichtstrahles ausfällt (Die Eiskrümel, die durch den Eisauswurf fallen.).

Sobald das Eis, das den Lichtstrahl unterbricht, herausgenommen wurde, schaltet sich das **ROTE LED** an und gibt dann nach 6 Sekunden die Freigabe zum Start des Gerätes; gleichzeitig erlischt das GELBE LED.

F. PLATINE (MIKROPROZESSOR)

Die Platine in der plastischen Hülle, die sich an der Vorderseite des Gerätes befindet, besteht aus einem Stromkreislauf mit hoher Spannung und einem mit niedriger Spannung, wie nach Vortschrift getrennt und beide durch Sicherungen geschützt, fünf LED für die Anzeige der Funktionen 3 Stifte (Test - nur in der Fabrik verwendet, 60/70°C für die Einstellung der Eingriff - kondensierungstemperatur und 3' zur Beseitigung der 3 Minuten stand by und den Verbindungen mit den Peripherien sowohl Eingang (Sensoren) und Ausgang (elektrische Bauteile).

Die elektronische Platine ist das Gehirn des Systems. Sie erhält Signale am Eingang von den Sensoren und, nachdem diese durch den MIKROPROZESSOR ausgearbeitet wurden, steuert die elektrischen Bauteile (Umsetzungsgetriebe, Kompressor, usw.) und damit das ganze Gerät.

Die fünf LED auf der Vorderseite der Steuerkarte zeigen folgendes an:

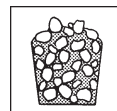
GRÜNES LED

Gerät unter Spannung



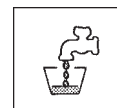
GELBES LED

- **Licht blinkt** = Infrarot Licht unterbrochen
- **Licht an** = Gerät schaltet aus bei Speicher voll



GELBES LED

Gerät schaltet aus bei Wassermangel im Schwimmbehälter



ROTES LED

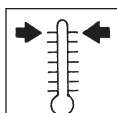
Alarm auf Grund von:

Licht an - Gerät schaltet aus wegen:

- Kondensationstemperatur zu hohe
- Umgebungstemperatur unter 1°C

Licht blinkt:

- 3 Minuten start Verzögerung

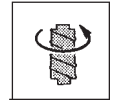


GELBES LED

Alarm auf Grund von:

Licht an - Gerät schaltet aus wegen:

- Falsche Drehrichtung des Umsetzungsgetriebes
- Drehzahl zu niedrig oder blockiert



Licht blinkt:

- Verdampferatemperatur mehr als -1°C nach 10' betrieb

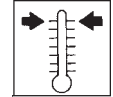
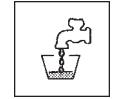
GELB UND ROTES LED

Licht an:

- Verdampferfühler defekt

Blinkt:

- Kondensatorfühler defekt



G. STIFTE

Die Flokeneis - Platine ist mit 3 Stifte ausgerüstet:

J1 - TEST:

In der Fabrik verwendet um alle elektrische Bestandteile während des test zu aktivieren.

T2-Syen / T3 Pro El Ind. 60/70°C:

Für die Einstellung der Eingriff - Kondensierungstemperatur verwendet:

- Stift OUT = 60°C
- Stift IN = 70°C

T2-Syen / J2 Pro El Ind. 3':

zur Beseitigung der ersten 3 stand by Minuten und zur Aus - Einschaltung der Maschine verwendet.

H. SCHWIMMBEHÄLTER

Die Einheit des Schwimmbehälters besteht aus einer Plastikwanne die im oberen Teil einen Schwimmer mit einer Einstellschraube enthält, und der den Wasserstand in der Wanne und im Verdampferzylinder konstant erhält.

Im Deckel sind vertikal die beiden Sensoren für die Kontrolle des Wasserstandes angebracht, die der Steuerkarte die Anwesenheit von ausreichendem Wasser im Behälter signalisieren.

ANMERKUNG. Die korrekte Position des Deckels auf dem Schwimmbehälter ist von *ñusserster Wichtigkeit, damit die Sensoren im Wasser eingetaucht sind und so das Signal, das die Anwesenheit von Wasser im Behälter bestätigt, zur Steuerkarte senden können und so das Ausschalten des Eisbereiters vermeiden.*

I. GEFRIERER ODER VERDAMPFER

Dieser besteht aus einem senkrechten Zylinder aus INOX-Stahl an den eine Verdampferkammer für das Kühlmittel angeschweißt ist un in dem

eine Schnecke um sich selbst dreht (auf der selben Achse des Zylinders). Zusammen verwandelt er das Wasser, das mit den Wänden in Kontakt kommt, in Eis, das durch die Aktion der Schnecke nach oben geschoben und dann vom Eisbrecher in viele Körner zerbröckelt wird. Das Eis wird zum Ausgang auf der Seite am oberen Teil geschoben.

Das Eis, das sich durch den Kontakt des Wasser mit der Innenwand des gekühlten Zylinders formt, wird durch die Drehung der Schnecke, die vom oberen und unteren Lager in Achse gehalten wird, nach oben geschoben.

Im unteren Teil, gleich über dem Lager befindet sich ein Dichtring für Drehwellen, der hermetisch die Gruppe Gefrierer/Schnecke andichtet, damit das ganze Wasser, das in den Behälter eintritt, in Eis verwandelt wird.

J. EISBRECHER

Am Oberteil des Gefrierers angebracht, kontrastiert der Eiosbrecher das Eis, das nach oben geschoben wird und drückt es zusammen. Auf diese Weise wird das Eis in Körner verwandelt, die in den Behälter geleitet werden. Im Innern des Eisbrechers befindet sich das obere Lager das aus zwei Lagerkronen aus INOX-Stahl besteht und sowohl die radialen, als auch die axialen Kräfte der Schnecke unterstützt.

Dieses Lager ist mit wasserabweisendem Lebensmittelfett geschmiert (Cod. 263612 00).

ANMERKUNG. Es wird empfohlen, alle 6 Monate den Zustand des oberen Lagers und des Schmiermittels zu kontrollieren.

K. UMSETZUNGSGETRIEBE

Dieses

Besteht aus einem einphasigen asynchronem Motor mit einem Kondensator, der auf einem Reduktionsgehäuse mit Getriebe und Ritzel montiert ist. Das Umsetzungsgetriebe betreibt durch eine Kupplung die Endloßschraube oder Schnecke, die das Eis im Verdampfer nach oben schiebt.

Der Rotor des Motors, der von zwei Lagern gehalten wird, aktiviert ein Kunststoffzahnrad (um den Geräuschpegel zu vermindern) und von

hier, durch weitere Zahnräder und Ritzel auf Kugellagern, die oben und unten an der Ausgangswelle positioniert sind.

Das ganze Umsetzungsgetriebe ist Dank der zwei Dichtungen in den Wellenverankerungen abgedichtet und mit einem speziellen Schmieröl (MOBILPLEX IP 44 P/N 001015 01) eingeschmiert. Alles kann auseinander gebaut und kontrolliert werden, indem man die beiden Aluminiumgehäuse abschraubt und öffnet.

Die Ausgangswelle des Umsetzungsgetriebes ist mit der Schnecke des Verdampfers durch Semikupplungen, die die Bewegung nur in der richtigen Drehrichtung erlauben, verbunden (Uhrzeigersinn).

L. VENTILATORMOTOR (Luftgekühlte Versionen)

Der Ventilatormotor ist elektrisch mit dem TRIAC der Steuerkarte verbunden und funktioniert zyklisch, damit die Luft durch den Kondensator fließen kann, um die Kondensationstemperatur zwischen zwei, von den Sensoren bestimmten Werten zu halten, die einem Kondensationsdruck von 8,5 – 10 bar (SPR 80-SPR 120) und 17 – 18 bar (SPR 165) entspricht.

M. DRUCKWÄCHTER (Wassergekühlte Versionen)

Der Druckwächter hält den Hochdruck des Kühlkreislaufes auf einem bestimmten Wert, indem er den Kühlwasserfluß des Kondensators verändert.

Wenn der Druck ansteigt öffnet sich der Druckwächter weiter, um den Kühlwasserfluß des Kondensators zu erhöhen.

N. KOMPRESSOR

Der hermetische Kondensator ist das Herz des Systems und sorgt dafür, daß das Kühlmittel im Kühlkreislauf zirkuliert.

Der Kompressor saugt das gasförmige Kühlmittel bei niedrigem Druck an, preßt es zusammen, und erhöht so dessen Druck und Temperatur; auf diese Weise verwandelt sich das Kühlmittel in Dampf mit hohem Druck und Temperatur und sendet das Heißgas durch das Auslaßventil in den Kreislauf.

FEHLERSUCHE

Problem	Möglicher Fehler	Lösung
Das Gerät funktioniert nicht (Kein LED an)	Sicherung Steuerkarte durchgebrannt	Sicherung ersetzen und den Grund für den Fehler suchen
	Hauptschalter aus	Hauptschalter anschalten
	Steuerkarte funktioniert nicht	Steuerkarte ersetzen
	Elektrische Leitungen nicht angeschlossen	Leitungen kontrollieren
(Gelbes LED Behälter voll an)	Optische Kontrolle Eisstand verschmutzt oder funktioniert nicht	Optische Kontrolle säubern oder ersetzen
(Gelbes LED Wasser fehlt an)	Wassermangel im Schwimmbehälter	Siehe Lösung Wassermangel
	Wasser zu süß	Einen Dosierer für Mineralsalz montieren.
	Sensoren verkalkt	Kalk mit Kalklösungsmittel entfernen
(Rotes LED an)	Kondensationstemperatur zu hoch	Kondensator verschmutzt. Säubern. Ventilatormotor durchgebrannt. Ersetzen
	Umgebungstemperatur zu niedrig	Das Gerät in einen angemesseneren Raum verstellen
(Gelbes LED falsche Drehrichtung blinkt)	Zu hohe Verdampertemperatur Fehlendes Kühlmittel	Kühlmittelstand kontrollieren
	Sensor beschädigt	Ersetzen
Gelbes LED falsche Drehrichtung an)	Falsche Drehrichtung des Umsetzungsgetriebes	Stator und Kapazität des Umsetzungsgetriebes kontrollieren
	Zu niedrige Drehgeschwindigkeit	Die Lager des Rotors und der Schnecke und die internen Oberflächen des Gefrierers kontrollieren.
	Fehlende Drehung des Umsetzungsgetriebes	Sicherung 16A, die den Motor unterstützt kontrollieren. Spule des Stators kontrollieren
	Umsetzungsgetriebe startet und hält nach einer Weile an.	Die korrekte Arbeitsweise des Magnetsensors kontrollieren. Die korrekte magnetische Kapazität der magnetischen Zylinder kontrollieren.
Gelbes und Rotes Wasser LED an	Kondensatorfühler defekt	Ersetzen
Gelbes und Rotes Wasser LED blinken	Verdampferfühler defekt	Ersetzen
Der Kompressor führt die Zyklen intermittierend aus	Niedrige Spannung	Stromkreis auf Überlastung kontroll. Versorgungsspannung kontrollieren Wenn diese zu niedrig ist, muß man das Elektrizitätswerk informieren
	Das Gas kann im System nicht kondensiert werden	System entleeren und neu füllen
	Die Kabel des Kompressors sind zum Teil nicht angeschlossen	Die verschiedenen Endanschlüsse kontrollieren

FEHLERSUCHE

Problem	Möglicher Fehler	Lösung
Zu wenig Eisproduktion	Kapillarrohr teilweise verstopft erneuern und wieder auffüllen. Feuchtigkeit im System Wassermangel Zu wenig Kühlmittel Zu viel Kühlmittel Schnecke verschmutzt oder abgenutzt	Entleeren und Feuchtigkeitsfilter Wie oben Auf etwa 20mm unter dem Abfluß einstellen Undichte Stellen suchen und nachfüllen. Kontrollieren und eventuell Ladung einstellen. Säubern oder ersetzen
Eis zu naß	Umgebungstemperatur zu hoch Zu wenig oder zu viel Kühlmittel Stand im Schwimmbehälter Kompressor nicht in Ordnung Schnecke abgenutzt	Gerät an einem kühlen Platz aufstellen Ladung einstellen Den Behälter etwa 20mm unter den Abfluß erniedrigen Ersetzen Ersetzen
Das Gerät arbeitet aber produziert kein Eis	Es kommt kein Wasser in den Gefrierer Zahnrad des Umsetzungsgetriebes abgenutzt Feuchtigkeit im System	Wasserversorgungsschlauch Gefrierer verstopft Zahnrad ersetzen Leeren und neu füllen.
Wasserverlust	Dichtungsring dichtet nicht Wasserversorgungsschlauch undicht Schwimmer schließt nicht einstellen Dichtung am Auslauf undicht	Ersetzen Die Schellen kontrollieren Schraube des Schwimmers Dichtung ersetzen
Zu viel Geräusche	Kalk- oder Mineralsalzalagerungen an den inneren Oberflächen des Gefrierers oder der Schnecke Zu niedriger Ansaugdruck Versorgungsschlauch teilweise verstopft Zu niedriger Wasserstand im Schwimmbehälter	Die Schnecke herausnehmen und säubern. Die Innenwände des Gefrierers säubern Kühlmittel zufügen Kontrollieren und säubern. Eventuelle Luftblasen entfernen Den Behälter um 20 mm anheben
Umsetzungsgetriebe zu laut	Lager des Rotors abgenutzt Getriebe nicht geschmiert Lager oder Getriebe in schlechtem Zustand	Kontrollieren und ersetzen Auf eventuellen Verlust von Schmiermittel kontrollieren, Dichtung ersetzen und Schmiermittel auffüllen. Kontrollieren und ersetzen
Wassermangel	EingangsfILTER verstopft Wasserdüse im Schwimmbehälter verstopft	Filter reinigen Schwimmer ausbauen und Düse säubern

ANWEISUNGEN FÜR DIE WARTUNG UND REINIGUNG

A. VORAUSSETZUNG

Die Zeiten und Vorgänge für die Wartung und Reinigung sind als Indikativ zu betrachten und müssen nicht als unveränderlich betrachtet werden. Speziell die Reinigung ist eng mit den Raumbedingungen, der Wasserqualität und der Menge der produzierten Eiswürfel verbunden. Jedes Gerät muß in Bezug auf seinen Standort und die Benutzungsart gewartet werden.

B. REINIGUNG DES EISWÜRFELBEREITERS

Die folgenden Wartungsarbeiten müssen mindestens zwei Mal im Jahr von einer lokalen SIMAG-Niederlassung ausgeführt werden:

1. Das Filternetz im Innern des Wassereingangsventils kontrollieren und säubern.
2. Kontrollieren, daß das Gerät in beide Richtungen gut ausgerichtet ist. Im gegensätzlichen Fall mit den regulierbaren Füßen ausgleichen.
3. Den Deckel des Schwimmbehälters abnehmen, indem man darauf achtet, daß die Sensoren für den Wasserstand nicht beschädigt werden. Indem man auf den Schwimmer drückt versichert man sich, daß das Wasser gut in den Behälter gelangt.
4. Sich versichern, daß der Wasserstand im Behälter unter dem Überlaufstand liegt und auf jeden Fall, daß er hoch genug liegt, um eine gute Funktion des Gerätes zu garantieren.

ANMERKUNG. Der Schwimmer muß den Wasserzufluß einstellen, wenn sein Stützpunkt, der die Einstellschraube mit Gummidichtung enthält, Lotrecht zur Düse steht.

5. Den behälter und den Gefrierer mit Kalklösungsmittel reinigen (Cod. 001009 01) Für die Reinigung des Wasserkreislaufes bezieht man sich auf die Anweisungen in Kapitel C. Nach der Reinigung kann man die Frequenz und die Art der zukünftigen Reinigungen je nach Ort, in dem das Gerät aufgestellt wurde, abschätzen.

ANMERKUNG. Die Notwendigkeit der Reinigung hängt vom Wasser und von den Arbeitssituationen ab.

6. Um Kalkablagerungen von den Sensoren für den Wasserstand zu entfernen, benutzt man einen Teil unverdünnten Kalkreiniger.

7. Bei luftgekühlten Versionen und bei ausgeschaltetem Eisbereiter säubert man den Kondensator mit einem Staubsauger oder einer weichen Bürste. Hierbei muß darauf geachtet werden, daß die Temperatursensoren des Kondensators und für die Umgebungstemperatur nicht beschädigt werden.

8. Den Wasserkreislauf auf eventuelle Verluste kontrollieren. Wasser in den Eisbehälter füllen, um sich zu versichern, daß der Abfluß gesichert ist.

9. Die Funktion der optischen Kontrolle des Eisstandes kontrollieren, indem man eine Hand zwischen die optischen Sensoren hält, damit der Lichtstrahl (Infrarot) für mindestens 6 Sekunden unterbrochen wird.

Auf diese Weise wird sofort das gelbe LED auf der Vorderseite der Platine blinken; nach etwa 6 Sekunden, wird das Ausschalten des Gerätes hervorgerufen und das zweite gelbe LED leuchtet auf (speicher voll).

Nach einigen Augenblicken, nachdem man die Hand weggezogen hat, fängt die Maschine automatisch wieder an zu arbeiten.

ANMERKUNG. Die Infrarot-Kontrolle des Eisstandes besteht aus zwei LED, dem Sender und dem Empfänger, zwischen denen der Lichtstrahl übertragen wird. Um die korrekte Funktion des Gerätes zu erlauben, müssen die Sensoren mindestens zwei Mal im Jahr mit einem sauberen Tuch gereinigt werden.

10. Kontrollieren, ob Kühlmittelverlust vorliegt und daß die Ansaugleitung bis etwa 20 cm vor dem Kompressor mit Reif belegt ist.

Wenn man Zweifel in Bezug auf die Kühlmittelfüllung hegt, verbindet man die Manometer an die Anschlußstücke Schrader und kontrolliert, daß der Druck der Tabelle am Anfang dieses Handbuches entspricht.

11. Kontrollieren, daß sich der Ventilator frei dreht.

12. Nachdem man die Styroporschalen vom Eisablaß und den Eisbrecherdeckel entfernt hat, kontrolliert man den Zustand des oberen Lagers, reinigt vom Fett und trägt wasserabweisendes Lebensmittelfett (Cod. 263612.00) auf.

ANMERKUNG. Für das obere Lager nur wasserabweisendes Lebensmittelfett benutzen.

13. Die Eisqualität prüfen. Sobald das Eis sich formt, kann es naß sein, aber es erhält in der Zelle sehr schnell die richtige Konsistenz.

ANMERKUNG. Es ist normal, wenn zusammen mit dem Eis etwas Wasser austritt.

C. ANWEISUNGEN FÜR DIE REINIGUNG DES WASSERKREISLAUFES

1. Das Gerät am Hauptschalter ausschalten
2. Das ganze Eis aus dem Behälter nehmen, damit es nicht vom Kalklöser vergiftet wird.
3. Den Wasserhahn für die Wasserzuleitung schließen.
4. Die obere Tafel abnehmen, um zum Schwimmbecken Zugriff zu haben
5. Den Deckel des Schwimmbehälters abnehmen, und mit einem Kabelstück die beiden Stäbchen der Wasserstandssensoren, die mit niedriger Spannung versorgt werden, verbinden

ANMERKUNG. Vermeiden, daß einer oder beide Stäbchen mit dem Gehäuse vom Gerät in Verbindung treten, da sonst Spannung vom Sensor des Kondensators an die Steuerkarte übertragen und so unnötiges Anhalten vom Gerät wegen zu hoher Temperatur hervorgerufen wird.

6. Das untere Ende des Schlauches, der den Schwimmbehälter mit dem Gefrierer verbindet, trennen und das Wasser, das sowohl aus dem Behälter, als auch aus dem Gefrierer fließt in einem Gefäß auffangen. Danach den Schlauch wieder befestigen.

7. In einem sauberen Eimer die Lösung für die Entkalkung vorbereiten, indem man 2 - 3 Liter warmes Wasser (45-50°C) mit 0,2 – 0,3 Liter Entkalkungsmittel vermischt.

ACHTUNG. Entkalkungsmittel für Eisbereiter enthalten eine Lösung aus Phosphorsäure und essigsaurem Hydroxid. Diese Lösung ist ätzend und kann, wenn eingenommen, Magenbeschwerden hervorrufen. In diesem Fall muß eine große Menge Wasser oder Milch getrunken und sofort ein Arzt gerufen werden. Bei Hautkontakt ist es ausreichend, mit viel Wasser zu spülen. VOR KINDERN FERN HALTEN.

8. Langsam diese Lösung in den Schwimmbehälter füllen.
9. Nach 15 Minuten schaltet man den Hauptschalter ein.

10. Abwarten, bis das Gerät anfängt zu arbeiten und dann weiterhin die Entkalkungslösung in den Behälter geben, indem man versucht, den Stand unter dem Sensor für „zu voll“ zu halten.

ANMERKUNG. Das mit Entkalkungslösung produzierte Eis ist gelblich und weich. In dieser Phase könnte man starke Geräusche vom Gefrierer hören, die auf das Ansteigen des Eises an den Wänden des Verdampfers zurück zu führen sind. Sollte dies der Fall sein, schaltet man das Gerät für einige Minuten aus, um der Entkalkungslösung zu erlauben, den Kalk im Gefrierer aufzulösen.

11. Nachdem die Entkalkungslösung erschöpft ist, öffnet man den Wasserhahn und läßt das gerät so lange arbeiten, bis das Eis wieder kompakt und sauber erscheint.

12. Neuerdings das Gerät abschalten und das eben produzierte Eis mit einigen Karaffen Warmwasser im Behälter auflösen.

ACHTUNG. Nicht das Eis benutzen, das mit dem Reinigungsmittel produziert wurde. Man muß sich versichern, daß keine Rückstände im Behälter verbleiben.

13. In den Wasserbehälter etwa 1cc (etwa 20 Tropfen) Hygienemittel (Anti-Algen Cod. 264000.02) geben und die Maschine starten.

14. Das Gerät etwa 10 Minuten Arbeiten lassen und dann das Lkabel. Das die Wasserstands-Sensoren verbindet entfernen und den Deckel korrekt auf den Schwimmbehälter aufsetzen.

ANMERKUNG. Nie das Eis, das mit Hygienemittel produziert wurde, benutzen.

15. Mit einem Schwamm, der mit Hygienemittel genäßt wurde, reinigt man die Innenwände des Behälters

ANMERKUNG. Es wird daran erinnert, daß die Innenwände des Behälters, zur Vermeidung von Bakterienbildungen, **jede Woche** mit einer Mischung aus Wasser und Desinfektionsmittel **desinfiziert** werden sollten.

SIMAG

ICE MACHINES

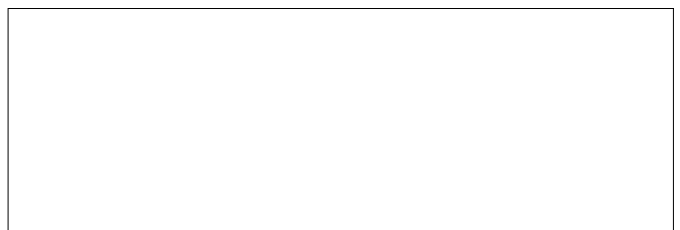
www.simag.it

SIMAG
via Risorgimento, 4
20017 Mazzo di Rho (MI) - Italy
Tel. +39 02 93900215 (Commerciale - Sales Dept.)
Tel. +39 02 93960357 (Assistenza - Service Dept.)
Fax +39 02 93900226 (Commerciale - Sales Dept.)
Fax +39 02 93960366 (Assistenza - Service Dept.)
e-mail: sales@simag.it
e-mail: service@simag.it

Singapore Office
SIMAG FAR EAST
627A Aljunied Road
04-04 Biztech Centre
Singapore 389842
Tel. ++65 6738 5393
Fax ++65 6738 1959
e-mail: scotsice@singnet.com.sg



Certified ISO 9001
TOTAL QUALITY



SIMMAG

ELECTRONIC FLAKERS SPR SERIES

CLEANING AND SANITIZING PROCEDURES

TOOLS REQUIRED

- 1 Medium Phillips Screwdriver
- 1 Medium Flat Screwdriver
- 1 Pair of Protective Gloves
- 1 Bucket/Container
- 1 Different types of brush
- 1 Clean Cloth
- 1 Ice Machine Cleaner/Sanitiser
- 1 Antialgae Cleaner



FREQUENCY

- Cleaning: Every six months
- Sanitizing: Every month

NOTE. THE FOLLOWING PROCEDURE CAN BE USED FOR EITHER SANITIZING OR DE-SCALING THE ICE MACHINE.

NEVER MIX THE SANITIZING SOLUTION WITH THE DE -SCALING SOLUTION.

IN CASE THE MACHINE NEEDS TO BE SANITISED AND DE-SCALED, CLEAN THE MACHINE THOROUGHLY, THEN FIRST DE-SCALE, AND AFTER PROPER WASHING AND RINSING, DO THE SANITATION.

NOTE. De-scaling is recommended every 6 months in average water hardness conditions, while sanitizing should take place once a month. Under extreme water hardness conditions we recommend to de-scale every two – three months, and to sanitize every two weeks. Sanitizing regularly will reduce bacteria growth, which is natural in all water circulation systems as ice machines.

NOTE. Always follow approved Sanitizer / De-scaler manufacturers instructions when preparing the Sanitizer /De Scaler solutions.

WARNING. When using any chemical, protection of hands and eyes should be worn.

PROCEDURE

1. Switch OFF the Master disconnect switch on the power line....



2. Close water tap on the water supply line



NOTE. Be sure that no other equipment in use can suffer of the turn OFF of water.

3. Scoop out all ice stored into the bin so to prevent its contamination.



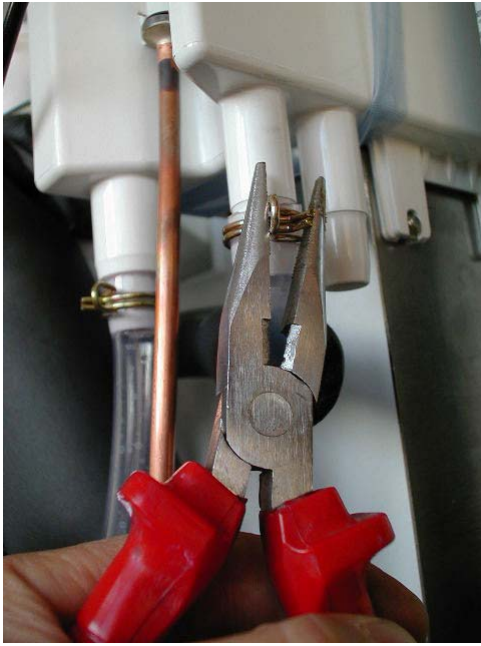
4. Remove the Top Panel and also.....



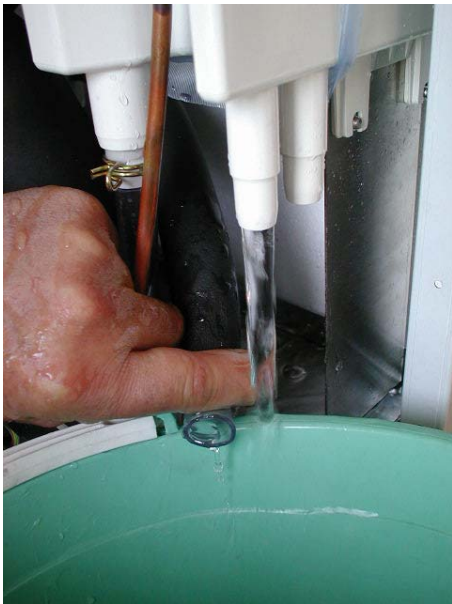
5.Rear Panel to again to access to the water reservoir.



6. Remove the metal clamp and disconnect the water tube from the outlet of the water reservoir. Collect....



7.the water into a bucket then.....



8.place again the tube on the outlet port.



9. Prepare the cleaning solution by diluting in a plastic container two or three liters of warm water (45°-50°C) with a 0,2-0,3 liters of Ice Machine Cleaner.



WARNING. The Ice Machine Cleaner contains Phosphoric and Hydroxyacetic acids. These compounds are corrosive and may cause burns if swallowed, DO NOT induce vomiting. Give large amounts of water or milk. Call Physician immediately. In case of external contact flush with water. KEEP OUT OF THE REACH OF CHILDREN.

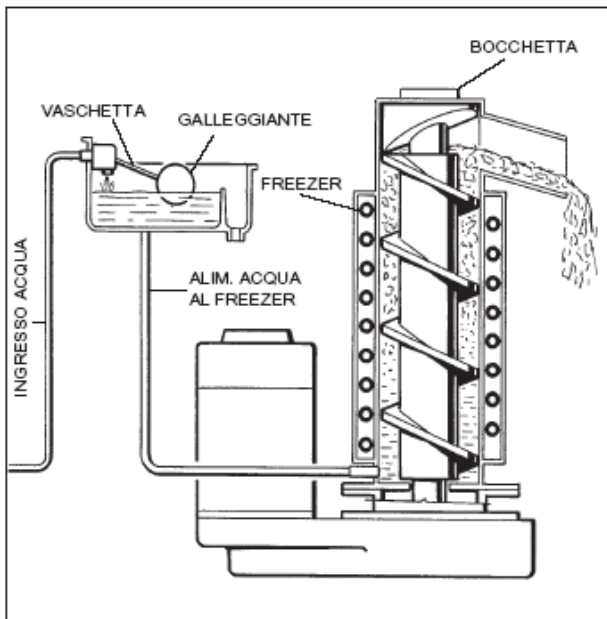
10. Remove the water reservoir cover then.....



11.slowly pour onto the water reservoir the cleaning solution.



12. Leave the machine in **mode OFF** for approximately **20 minutes** so to have the cleaning solution melting the scales into the entire water system.



13. With the help of a brush dissolve the most resistant and remote scale deposits into the plastic tube connecting the water reservoir to the bottom of the freezer.



14. Jump with a wire the two metal pins of the water level sensor or.....



15.with a piece of copper wire short the two metal pins of the water reservoir.



16. After **20 minutes** switch **ON** the Master switch to start the unit.



19. The flaker ice made with the cleaning solution is slushy and coloured also.



17. Few minutes later the Ice Machine start up to produce and discharge flaker ice (slash) into the storage bin



NOTE – In this situation can be heard by the noise made of the ice. Should this occur it is recommended to stop for few minutes the ice machine in order to allow the ice in the freezer to partially melt then restart again.

20. When all the cleaning solution has been used up, open the water shutoff valve to allow new fresh water to flow into the water reservoir. Let the unit to continue to run until.....

18. As soon as the level of the water into the water reservoir is going down, slowly pour the remaining cleaning solution till empty the bucket.

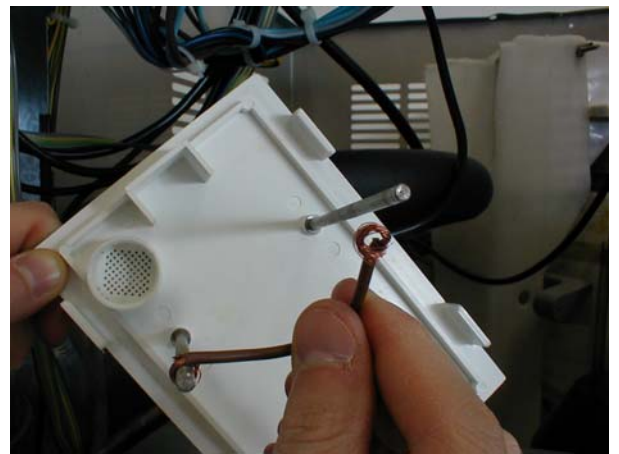


21.the flaker ice resumes the normal colour and hardness .



24.remove the copper wire used to jump the two sensors for the water level.

22. When sure that no more trace of cleaning solution is left into the water system pour **1 cc** of Sanitiser (Antialgae part number **264000 02**) then switch the unit ON. Let the unit running for approx 10 minutes.



25. Place back the correctly the cover on the float reservoir.

23. Remove the jumper between the two metal pins or



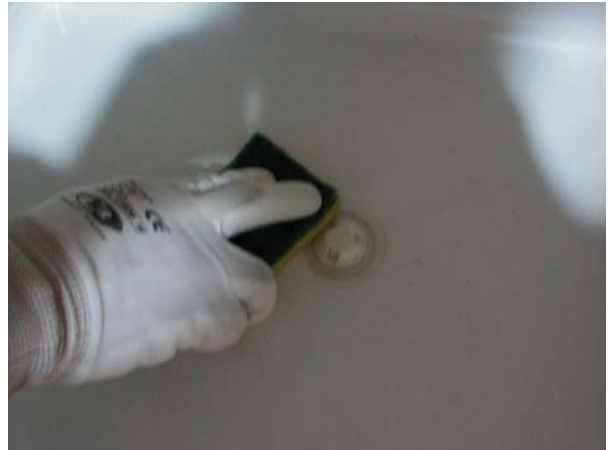
26. Open the bin door in order to have access to the storage bin.



27. With a sponge clean/sanitize the inside area of the bin ...



28.including its drain..



29. Clean/sanitize the rear side of the bin door.



30. Re-fit the Rear Panel and also



REMEMBER – To prevent the accumulation of undesirable bacteria it is necessary to sanitize the interior of the storage bin with an antialgae disinfectant solution **EVERY WEEK**

NOTE – DO NOT use ice produced with the sanitizing solution



32. Clean the outside of the Ice Machine using a clean damp cloth with specific S.S. cleaning product.

31. ...the Top Panel.



SIMAG
via Risorgimento, 4
20017 Mazza di Rho (MI) - Italy
Tel. +39 02 93900215 (Commerciale - Sales Dept.)
Tel. +39 02 93546226 (Assistenza - Service Dept.)
Fax +39 02 93900226 (Commerciale - Sales Dept.)
Fax +39 02 93546231 (Assistenza - Service Dept.)
e-mail: sales@simag.it
e-mail: service@simag.it

Singapore Office
SIMAG FAR EAST
627A Aljunied Road
04-04 Biztech Centre
Singapore 389842
Tel. ++65 6738 5393
Fax ++65 6738 1959
e-mail: scotsice@singnet.com.sg

